



US00D605014S

(12) **United States Design Patent**
Yamamoto

(10) **Patent No.:** **US D605,014 S**
(45) **Date of Patent:** **** Dec. 1, 2009**

(54) **PORTABLE ELECTRIC DRILL**

D592,027 S * 5/2009 Van Wambeke D8/68

(75) Inventor: **Yuji Yamamoto**, Anjo (JP)

* cited by examiner

(73) Assignee: **Makita Corporation**, Anjo (JP)

Primary Examiner—Antoine D Davis

(74) *Attorney, Agent, or Firm*—Olliff & Berridge, PLC

(**) Term: **14 Years**

(57) **CLAIM**

(21) Appl. No.: **29/309,400**

The ornamental design for a portable electric drill, as shown and described.

(22) Filed: **Aug. 11, 2008**

(30) **Foreign Application Priority Data**

DESCRIPTION

Feb. 19, 2008 (JP) 2008-003532
Feb. 19, 2008 (JP) 2008-003533

FIG. 1 is a perspective view of a portable electric drill showing our new design;

FIG. 2 is a front elevation view thereof;

(51) **LOC (9) Cl.** **08-04**

FIG. 3 is a rear elevation view thereof;

(52) **U.S. Cl.** **D8/68**

FIG. 4 is a left side elevation view thereof;

(58) **Field of Classification Search** D8/14.1,
D8/61, 62, 63, 64, 65, 66, 67, 68, 69, 70;
81/57.11, 429, 454, 455, 456, 469, 489; 173/13,
173/104, 114, 168, 169, 170, 171, 178, 201,
173/211, 213, 217; 408/20, 124, 125, 234,
408/241 R; 451/358; 310/50; 227/8, 113,
227/114, 120, 130, 136, 142

FIG. 5 is a right side elevation view thereof;

FIG. 6 is a top plan view thereof; and

FIG. 7 is a bottom plan view thereof;

See application file for complete search history.

FIG. 8 is a perspective view of a second embodiment of the portable electric drill shown in FIG. 1;

FIG. 9 is a front elevation view thereof;

FIG. 10 is a rear elevation view thereof;

(56) **References Cited**

U.S. PATENT DOCUMENTS

D510,007 S 9/2005 Yamamoto
D515,376 S * 2/2006 Wacker et al. D8/68
D533,421 S * 12/2006 Aglassinger D8/68
D565,375 S * 4/2008 Shi D8/68
D581,762 S * 12/2008 Aglassinger D8/68

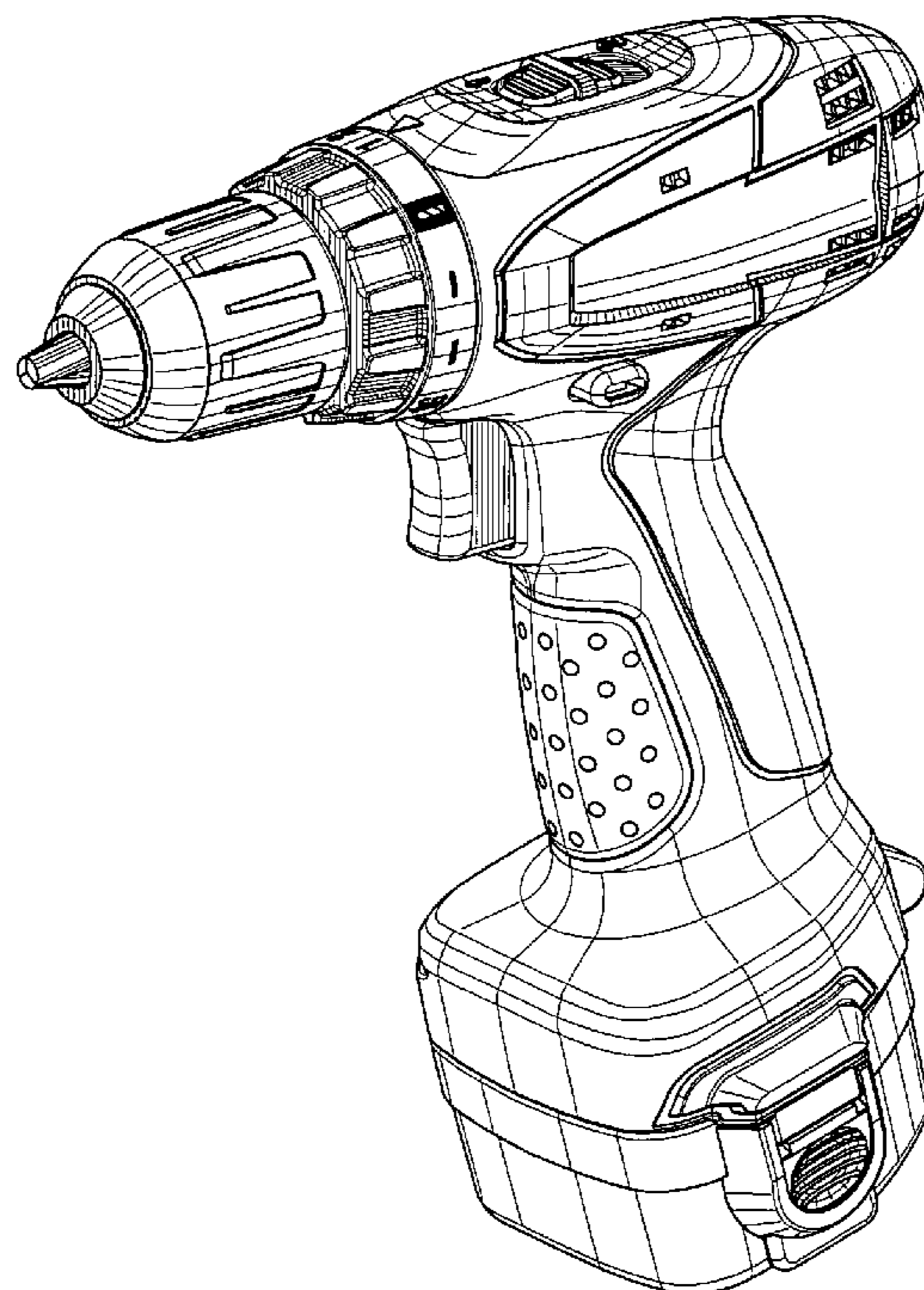
FIG. 11 is a left side elevation view thereof;

FIG. 12 is a right side elevation view thereof;

FIG. 13 is a top plan view thereof; and,

FIG. 14 is a bottom plan view thereof.

1 Claim, 12 Drawing Sheets



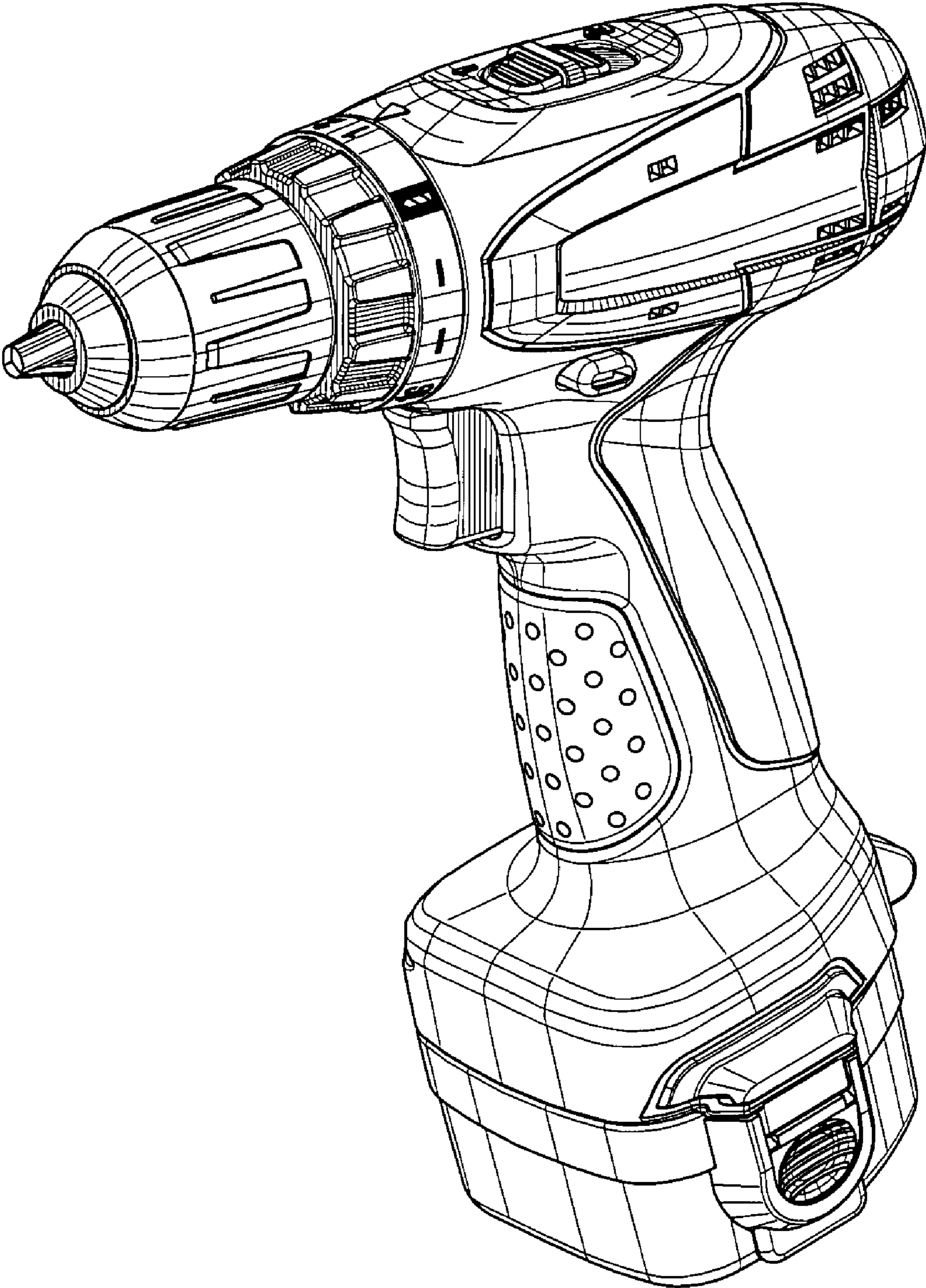


FIG. 1

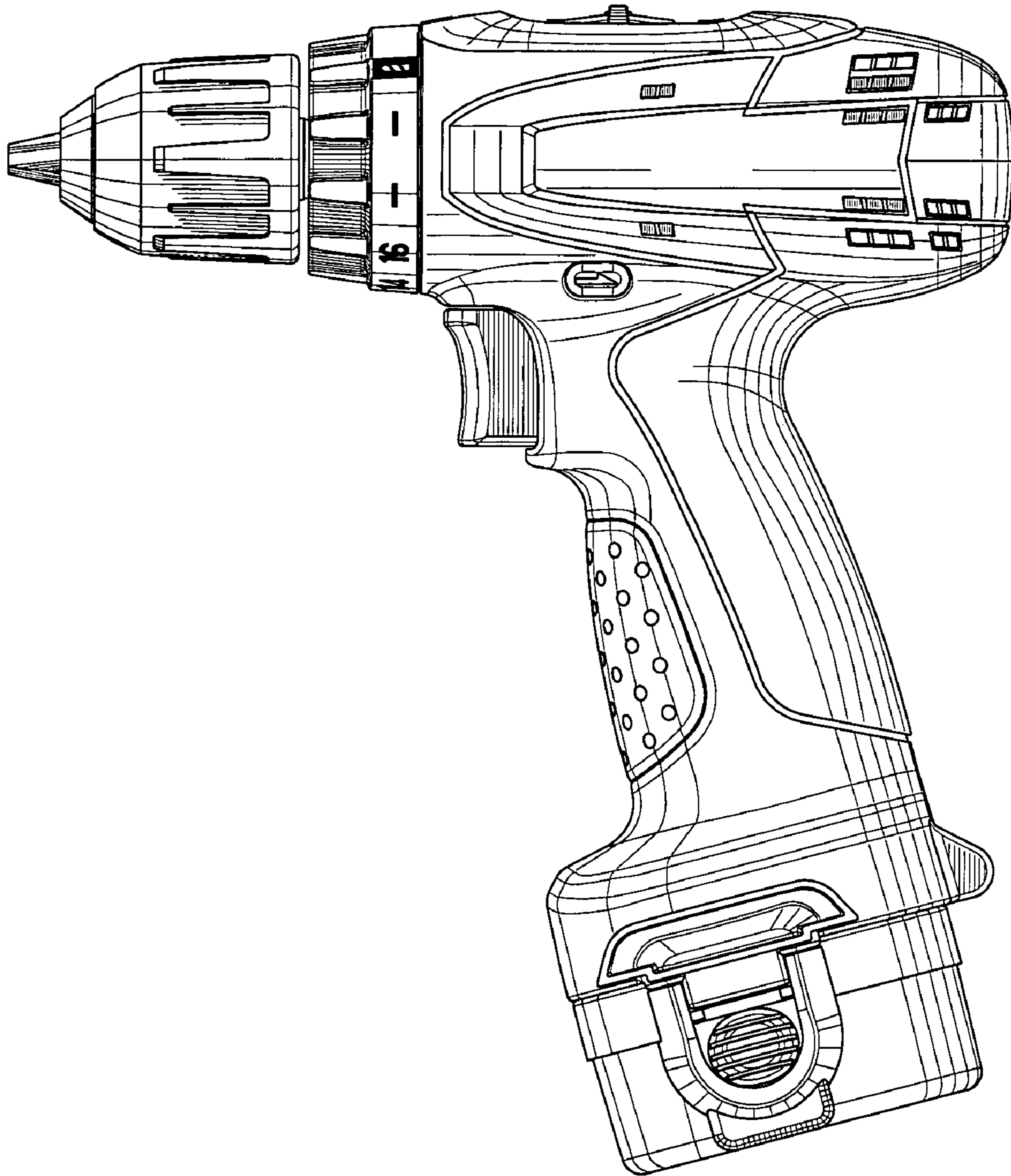


FIG. 2

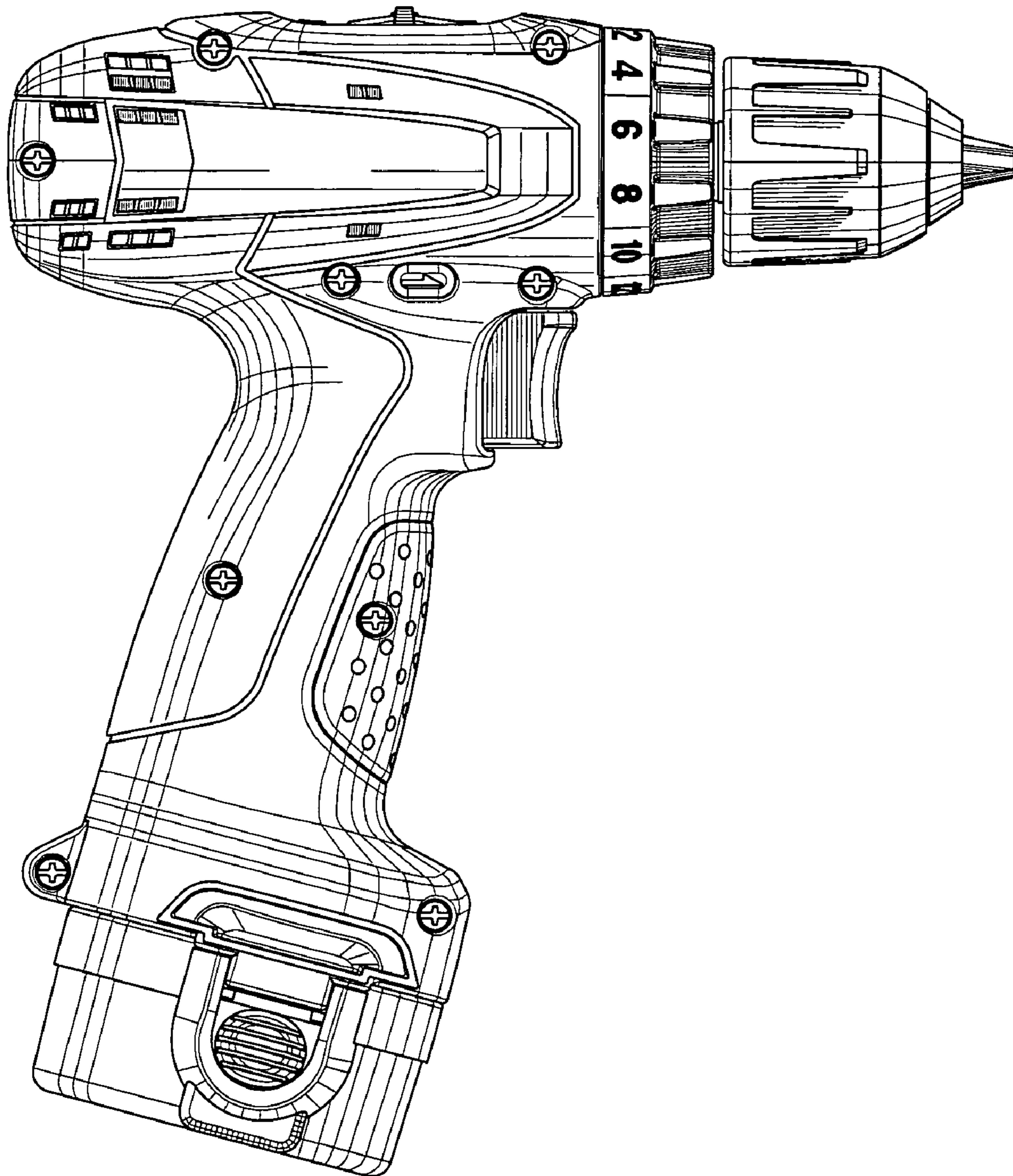


FIG. 3

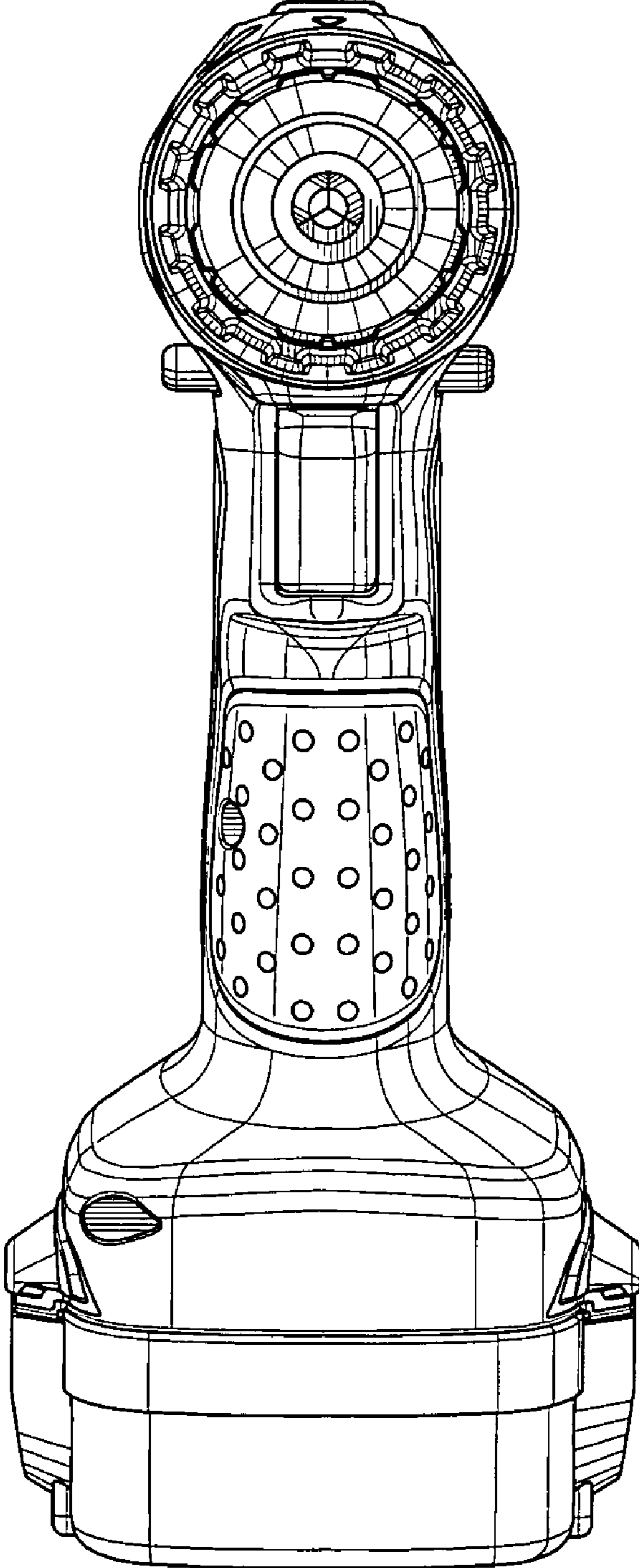


FIG. 4

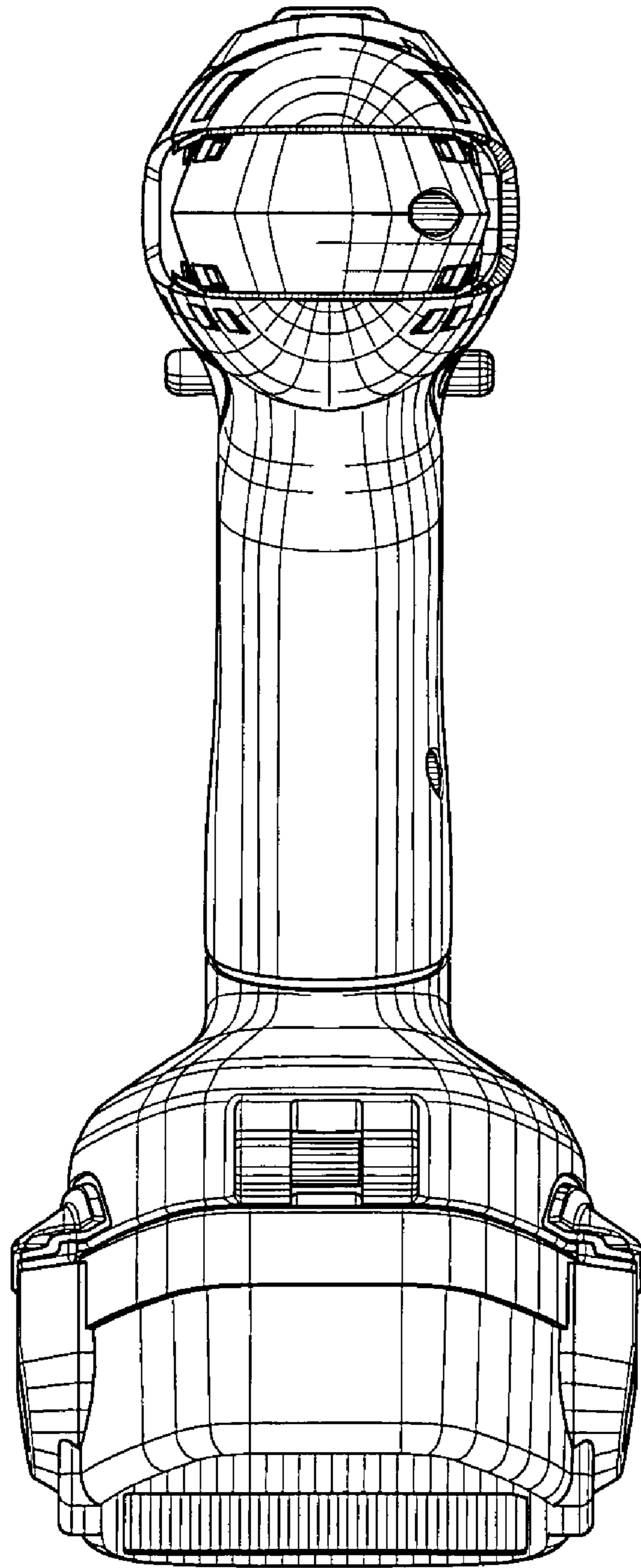


FIG. 5

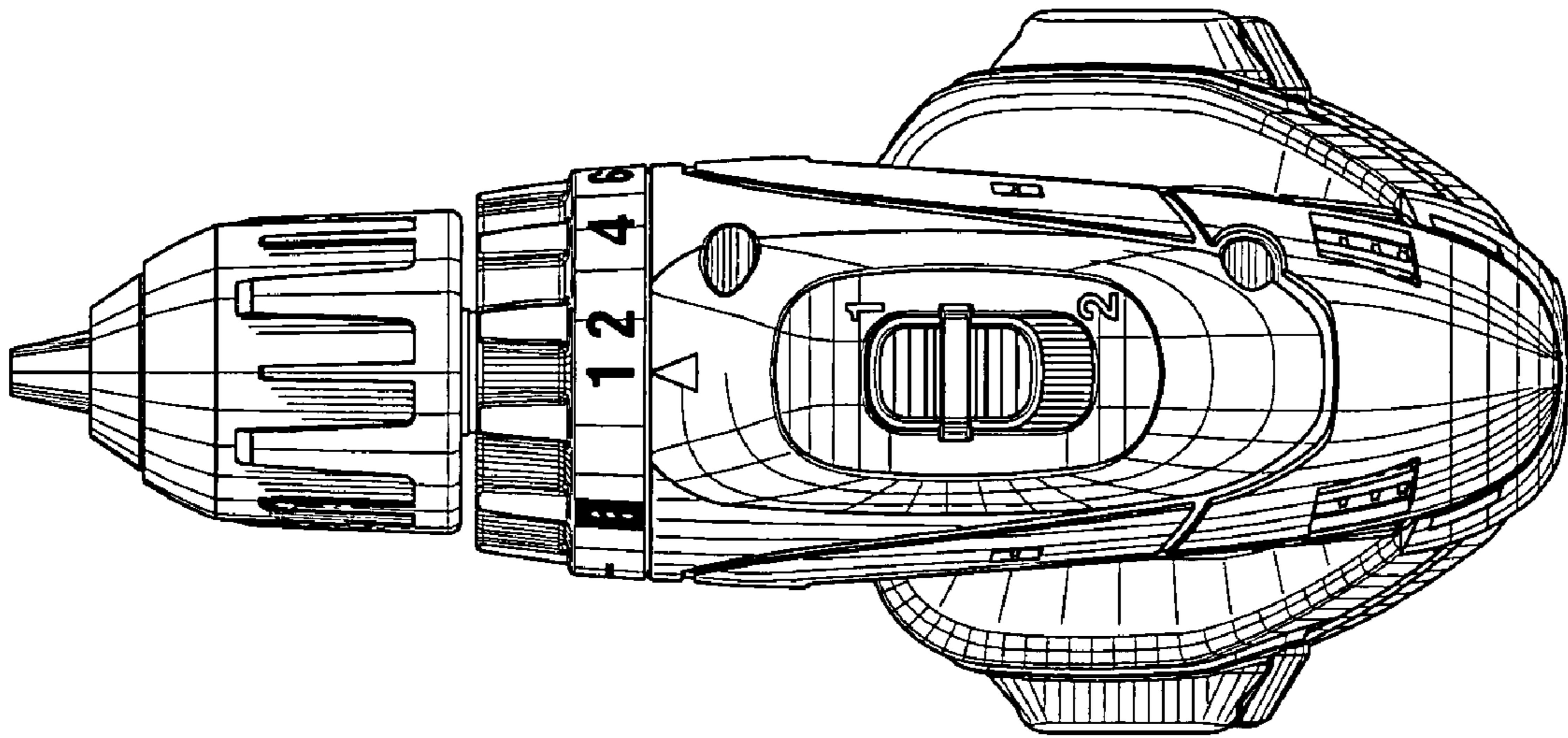


FIG. 6

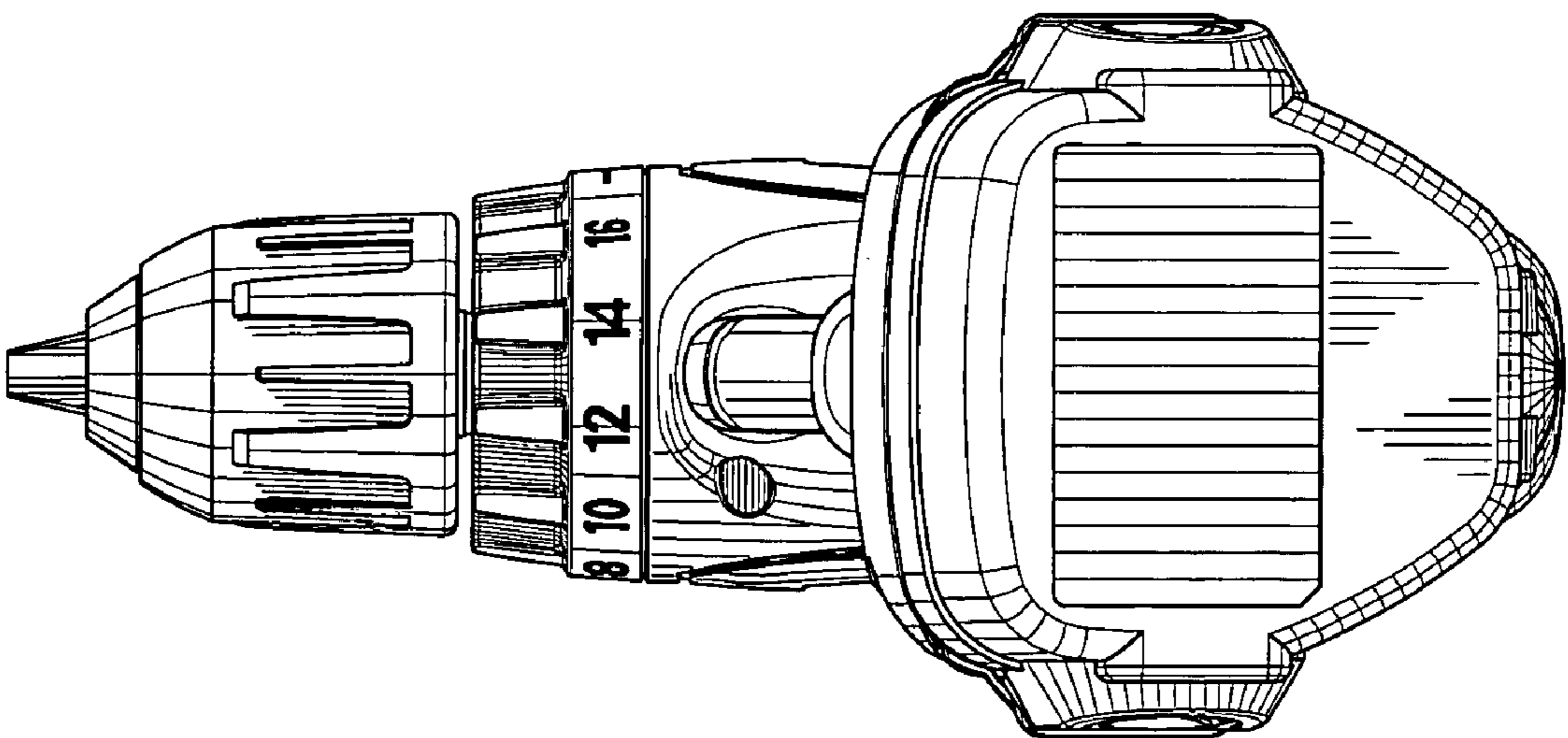


FIG. 7

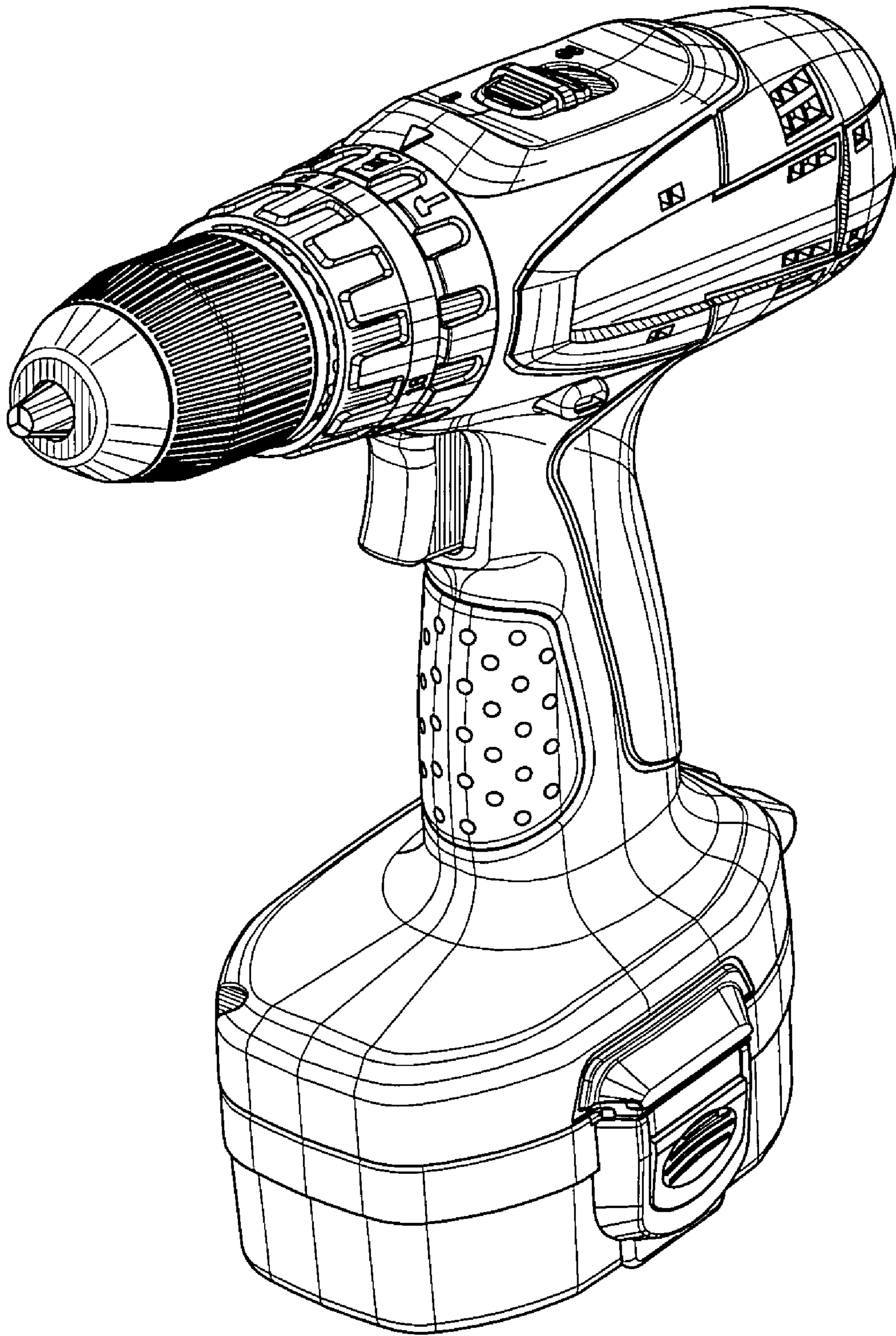


FIG. 8

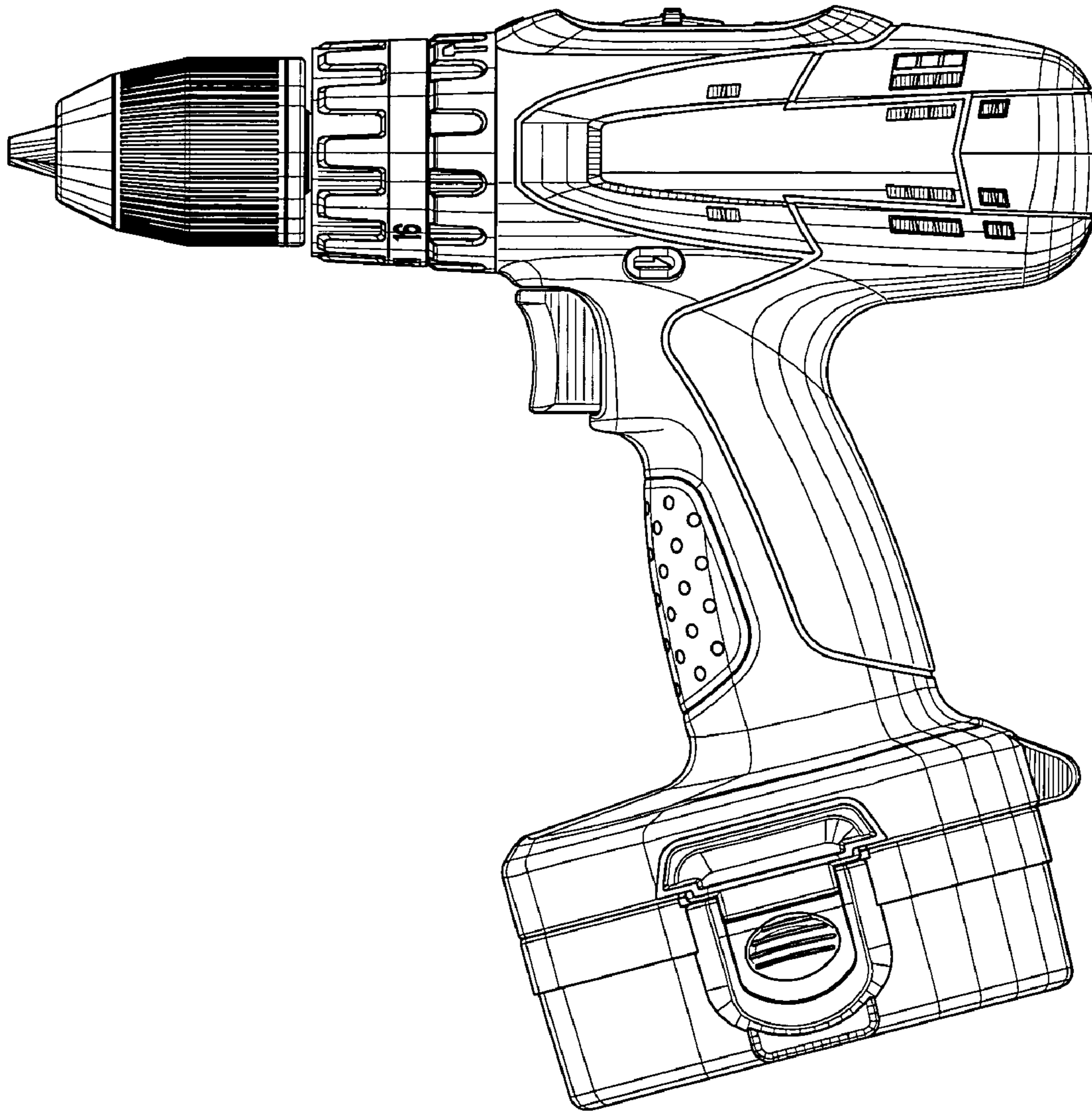


FIG. 9

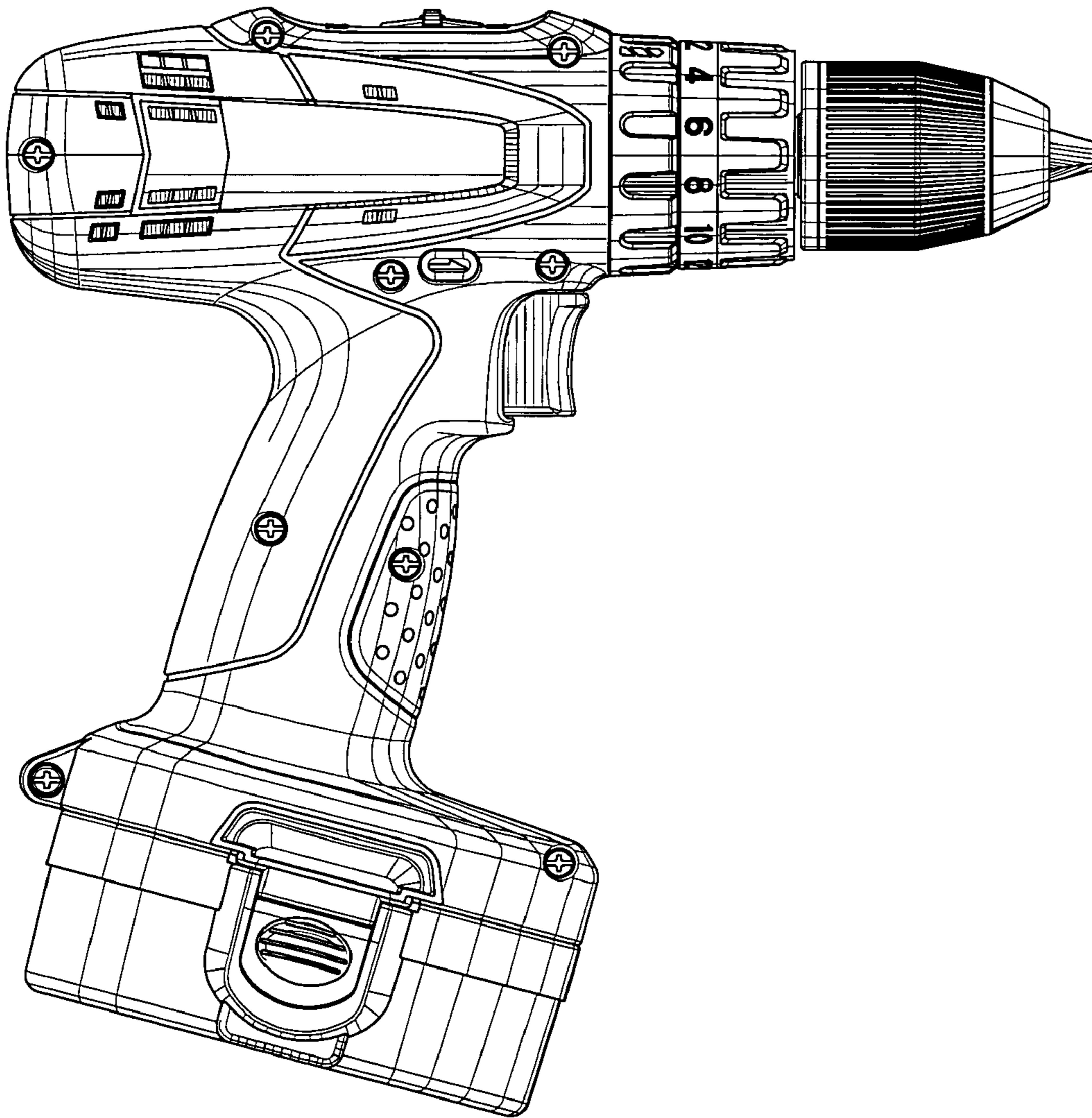


FIG. 10

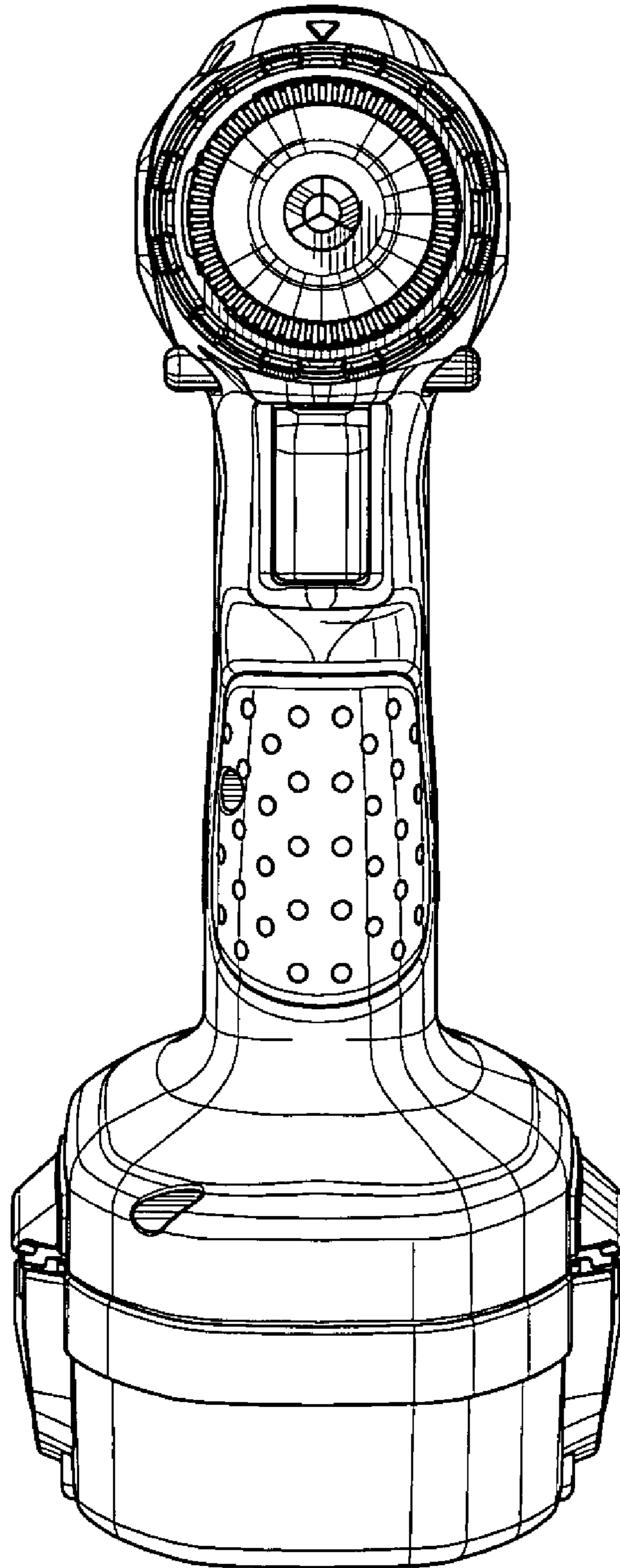


FIG. 11

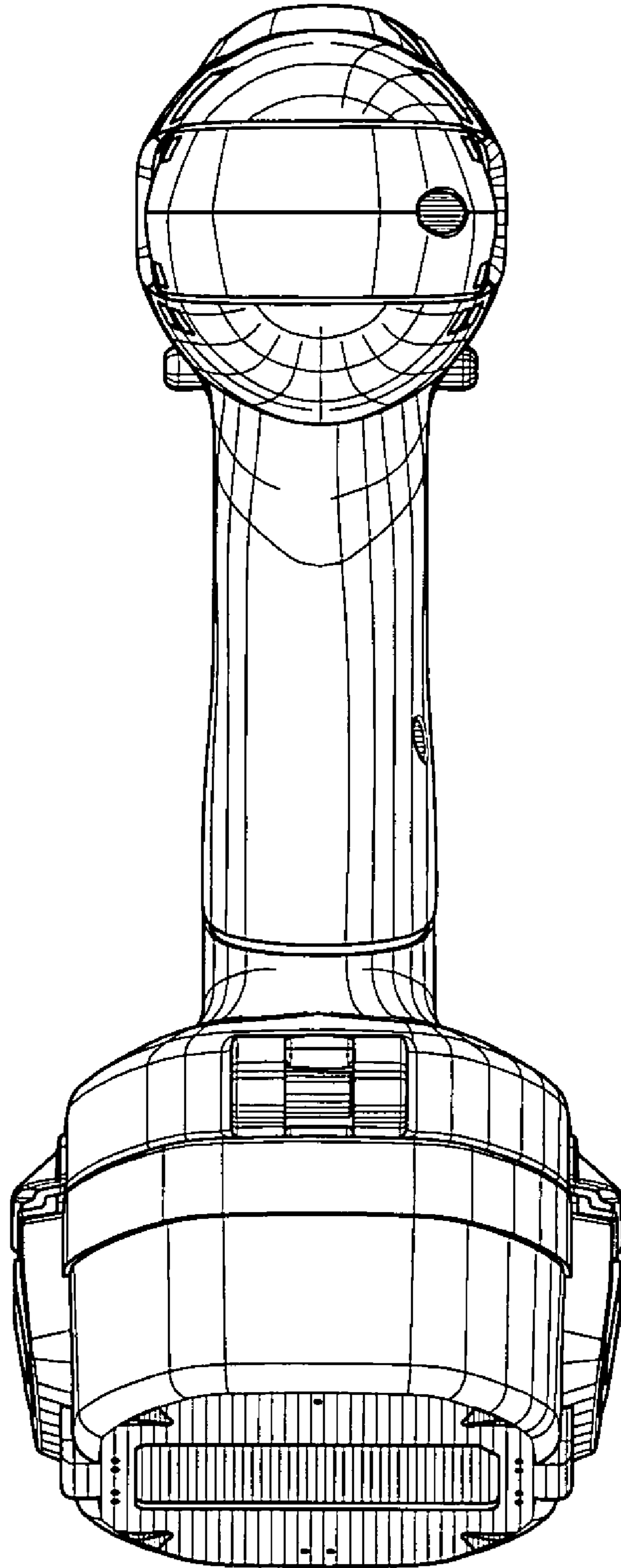


FIG. 12

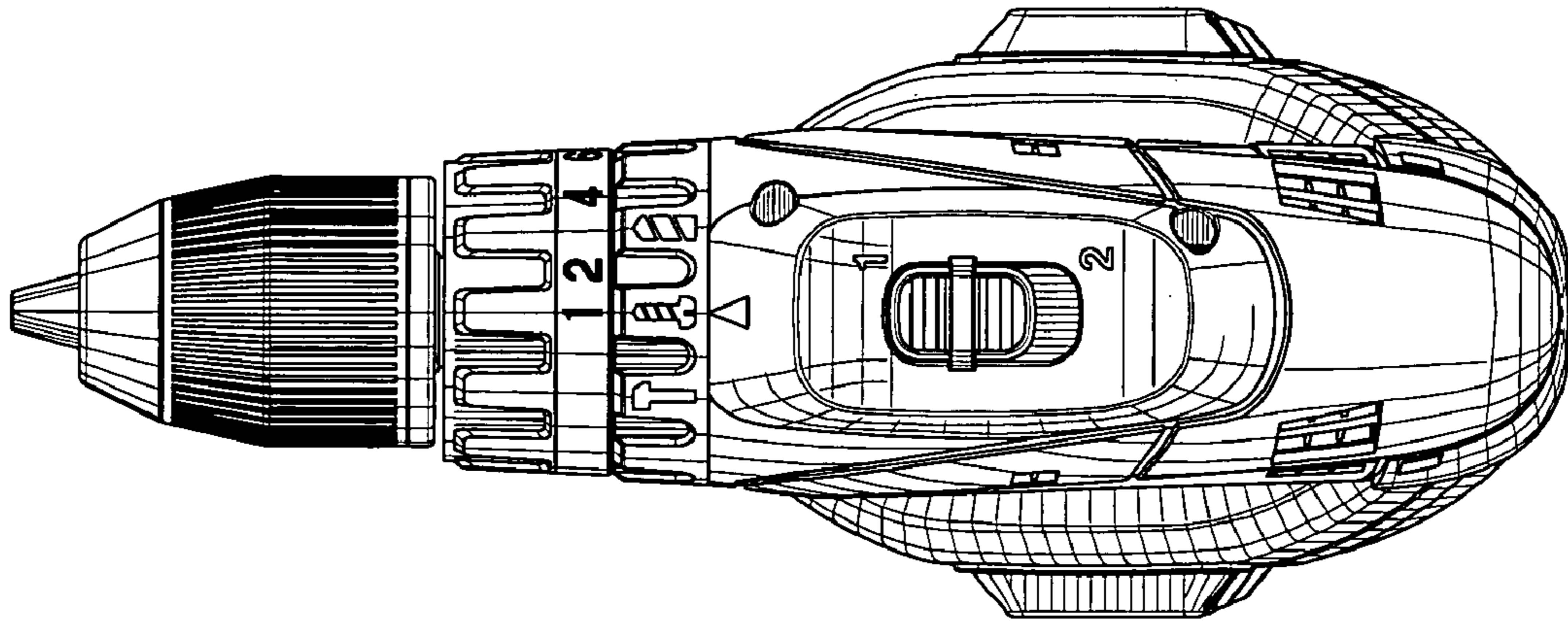


FIG. 13

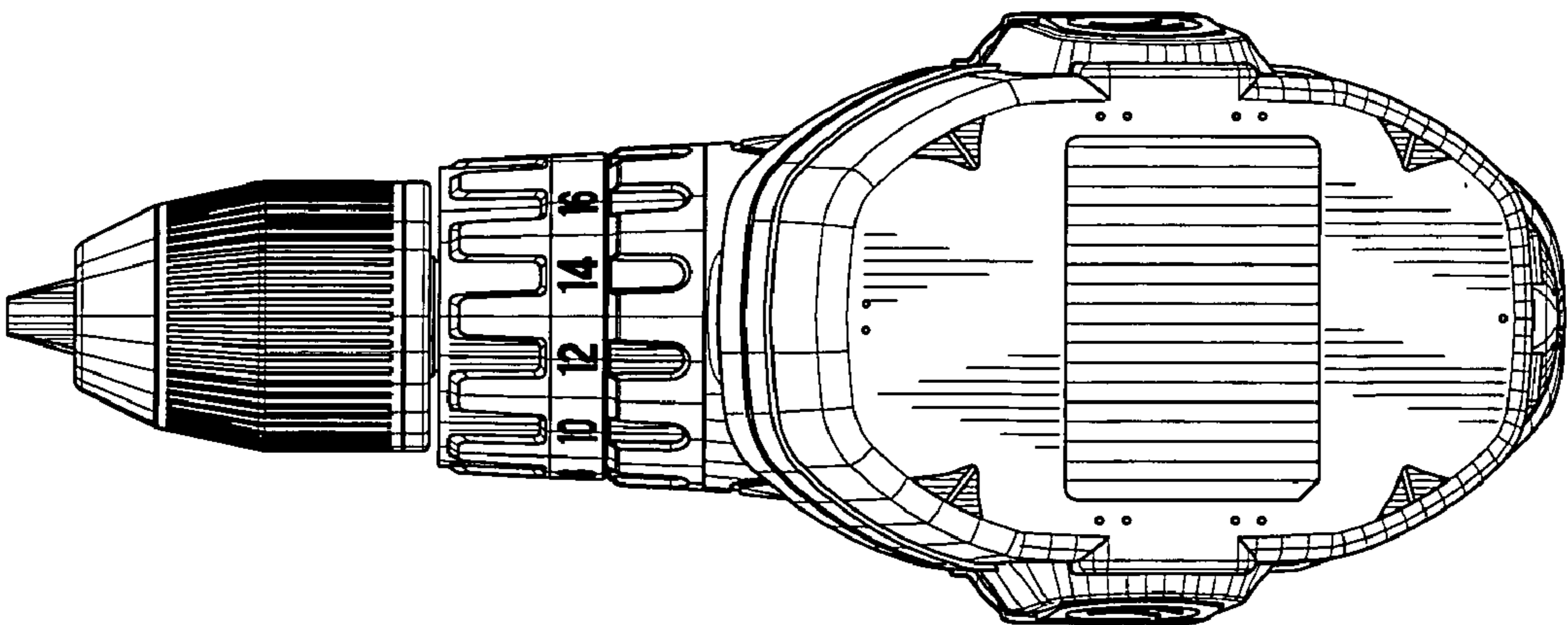


FIG. 14