



US00D605011S

(12) **United States Design Patent**
Jalet

(10) **Patent No.:** **US D605,011 S**
(45) **Date of Patent:** **** Dec. 1, 2009**

(54) **FOIL CUTTER FOR A WINE BOTTLE**

(75) Inventor: **Vincent Jalet**, Brussels (BE)

(73) Assignee: **Dart Industries Inc.**, Orlando, FL (US)

(**) Term: **14 Years**

(21) Appl. No.: **29/310,017**

(22) Filed: **Jul. 22, 2008**

(51) **LOC (9) Cl.** **07-99**

(52) **U.S. Cl.** **D8/41**

(58) **Field of Classification Search** D8/14,
D8/18, 33-43; 7/151-156; 81/3.07, 3.09,
81/3.2, 3.27, 3.29, 3.35, 3.37, 3.4, 3.45, 3.48,
81/3.49, 3.55

See application file for complete search history.

(56) **References Cited**

U.S. PATENT DOCUMENTS

D284,635	S	*	7/1986	Molnar et al.	D8/14
4,845,844	A		7/1989	Allen		
D397,922	S		9/1998	Gort-Barten		
5,878,497	A		3/1999	Seemann, III et al.		
D428,567	S	*	7/2000	Harris	D8/33
D446,103	S		8/2001	Olañeta		
D452,802	S	*	1/2002	Peabody	D8/33
D454,288	S		3/2002	Kilduff		
D459,174	S		6/2002	De Bergen		
D459,963	S		7/2002	Usbeck		

D474,383	S		5/2003	Christianson		
D484,013	S	*	12/2003	Alverson, Jr.	D8/14
D490,286	S		5/2004	Simons		
D501,774	S		2/2005	Bates et al.		
7,024,715	B2		4/2006	Hefti et al.		
2002/0092169	A1		7/2002	Kilduff		

* cited by examiner

Primary Examiner—Caron Veynar

Assistant Examiner—Garth Rademaker

(74) *Attorney, Agent, or Firm*—John A. Doninger

(57) **CLAIM**

The ornamental design for a foil cutter for a wine bottle, as shown and described.

DESCRIPTION

FIG. 1 is a top, side and front perspective view of a foil cutter for a wine bottle showing my new design;

FIG. 2 is a front elevation view thereof;

FIG. 3 is a rear elevation view thereof;

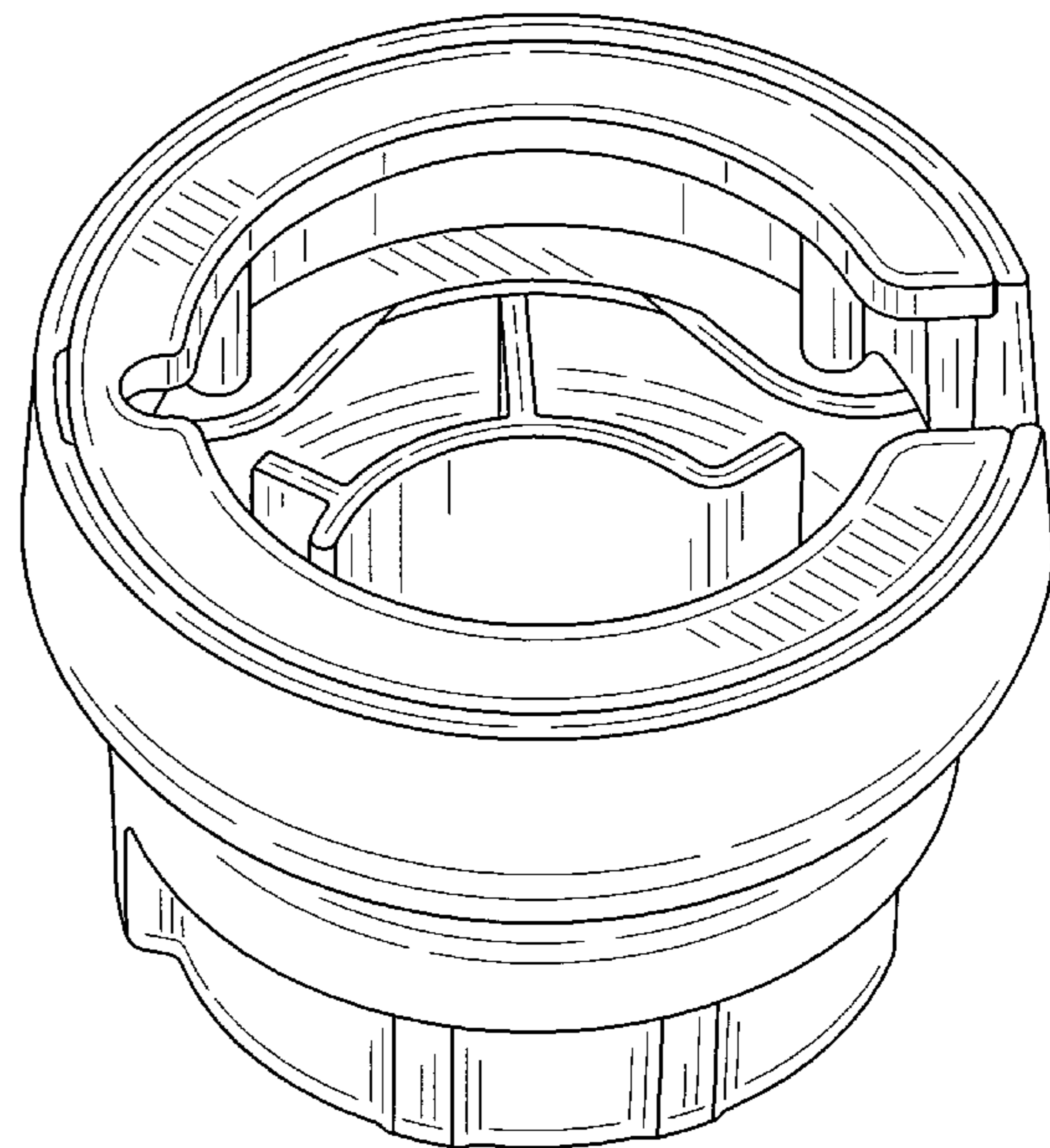
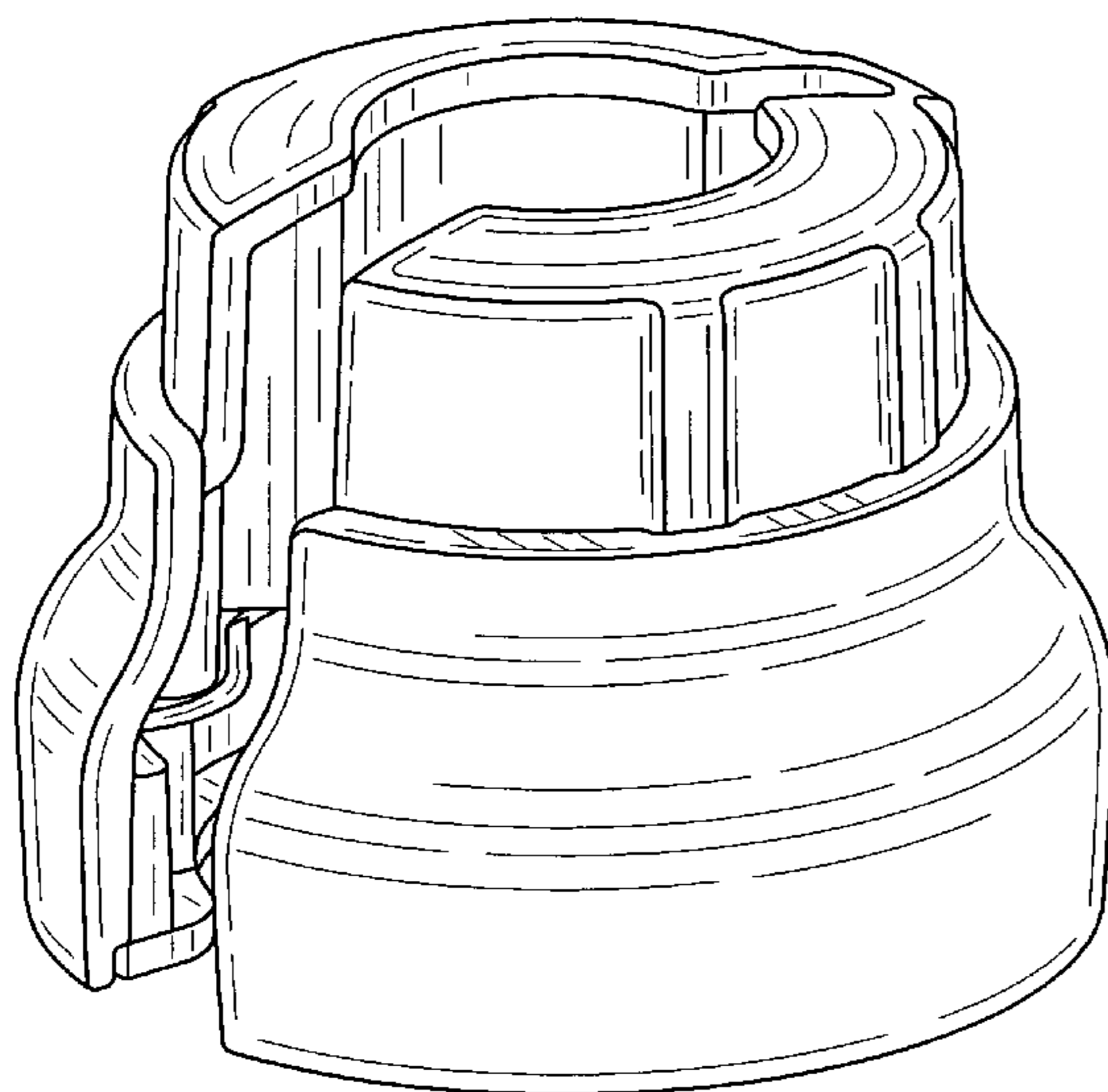
FIG. 4 is a right side elevation view, the left side elevation view being a mirror image thereof;

FIG. 5 is a top plan view thereof;

FIG. 6 is a bottom plan view thereof; and,

FIG. 7 is a bottom, side and rear perspective view thereof.

1 Claim, 4 Drawing Sheets



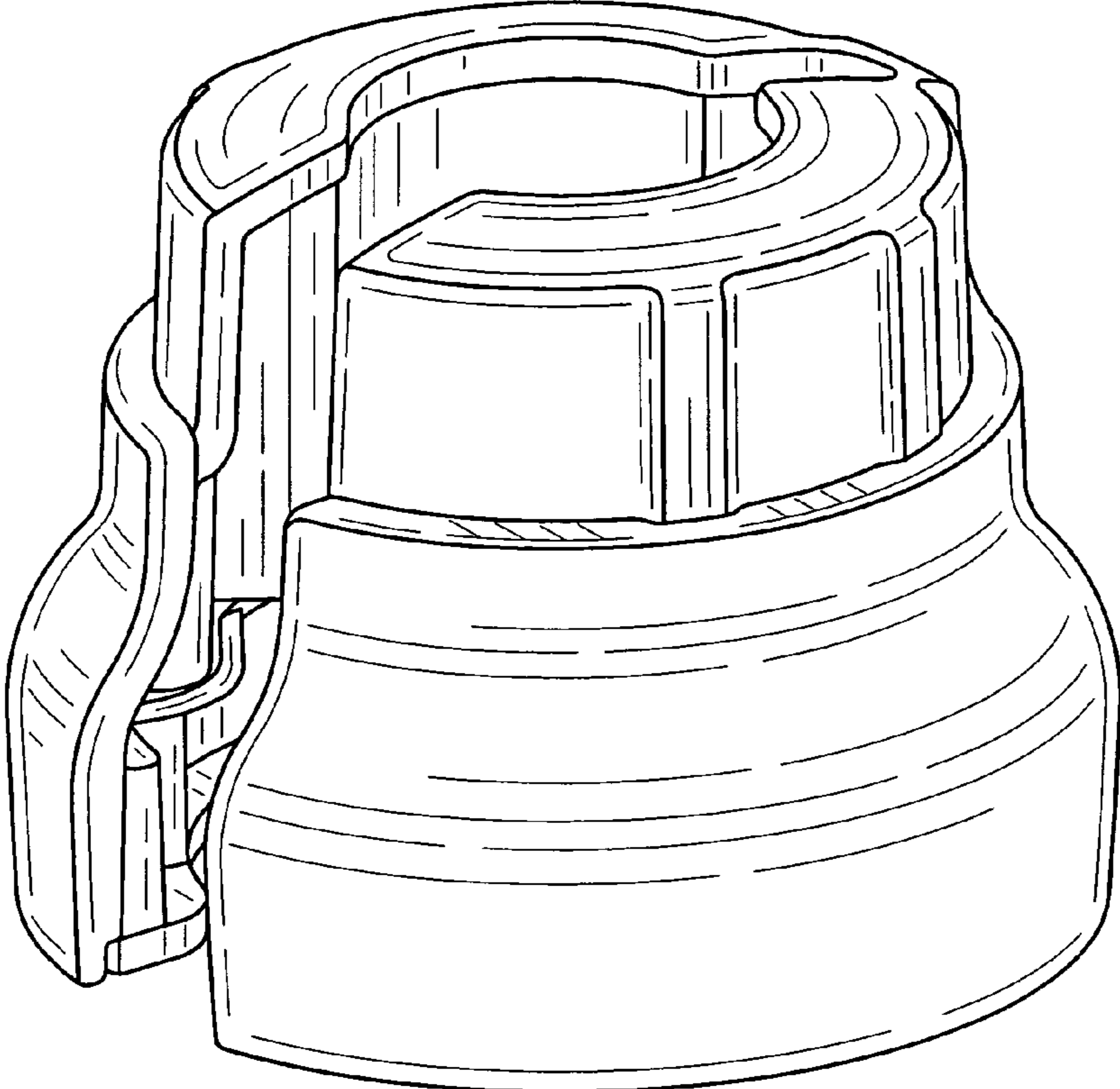


FIG. 1

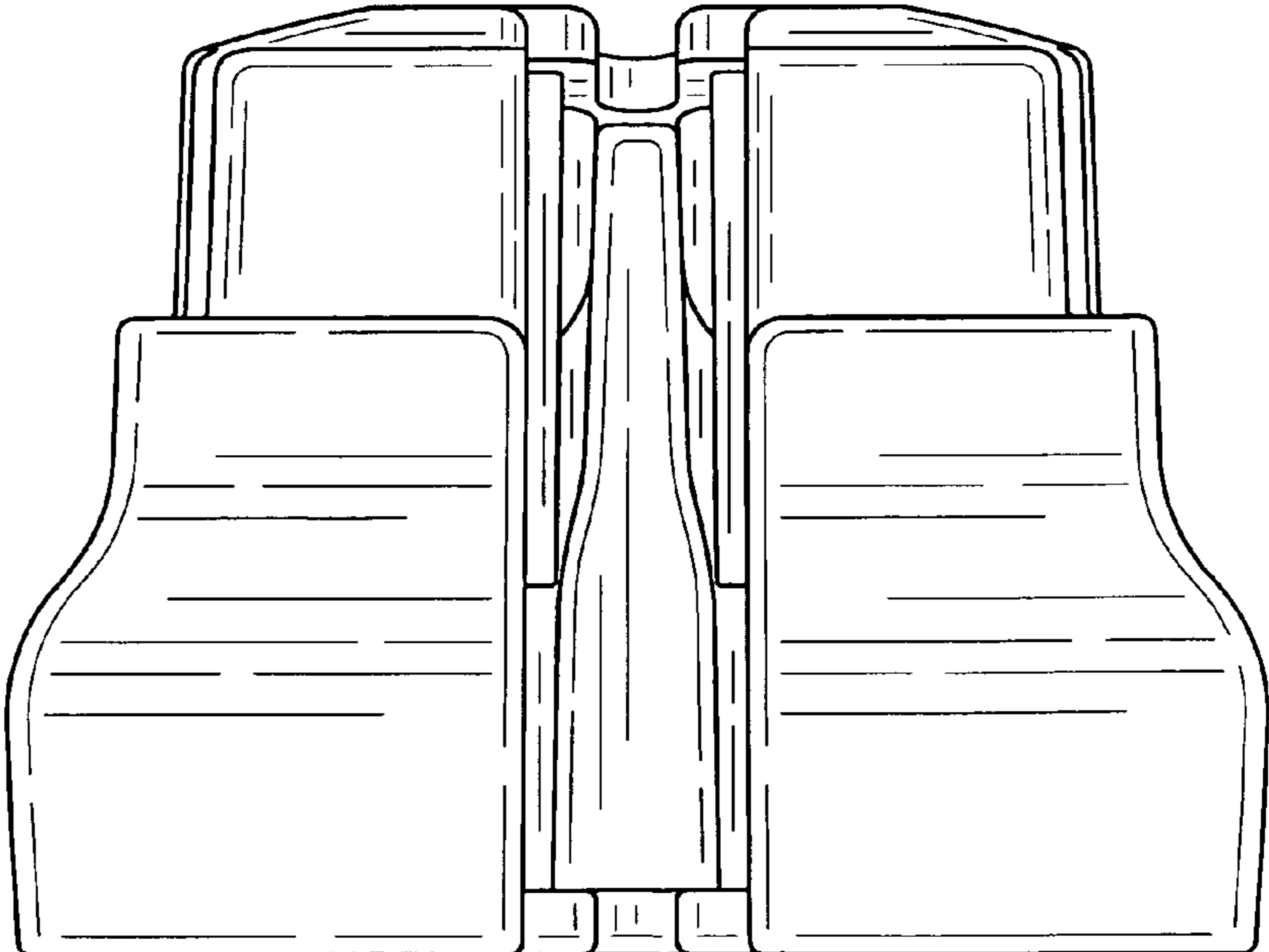


FIG. 2

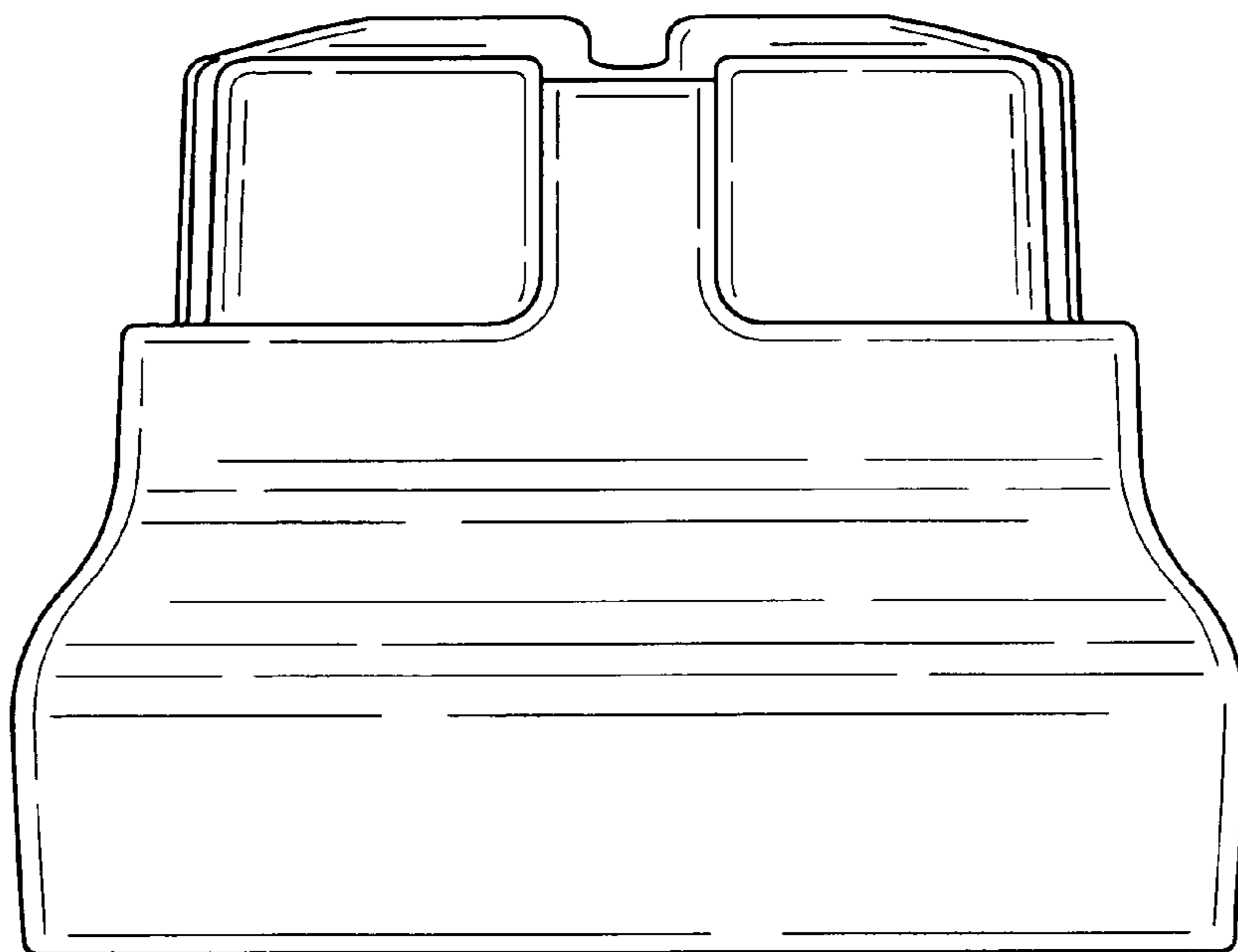


FIG. 3

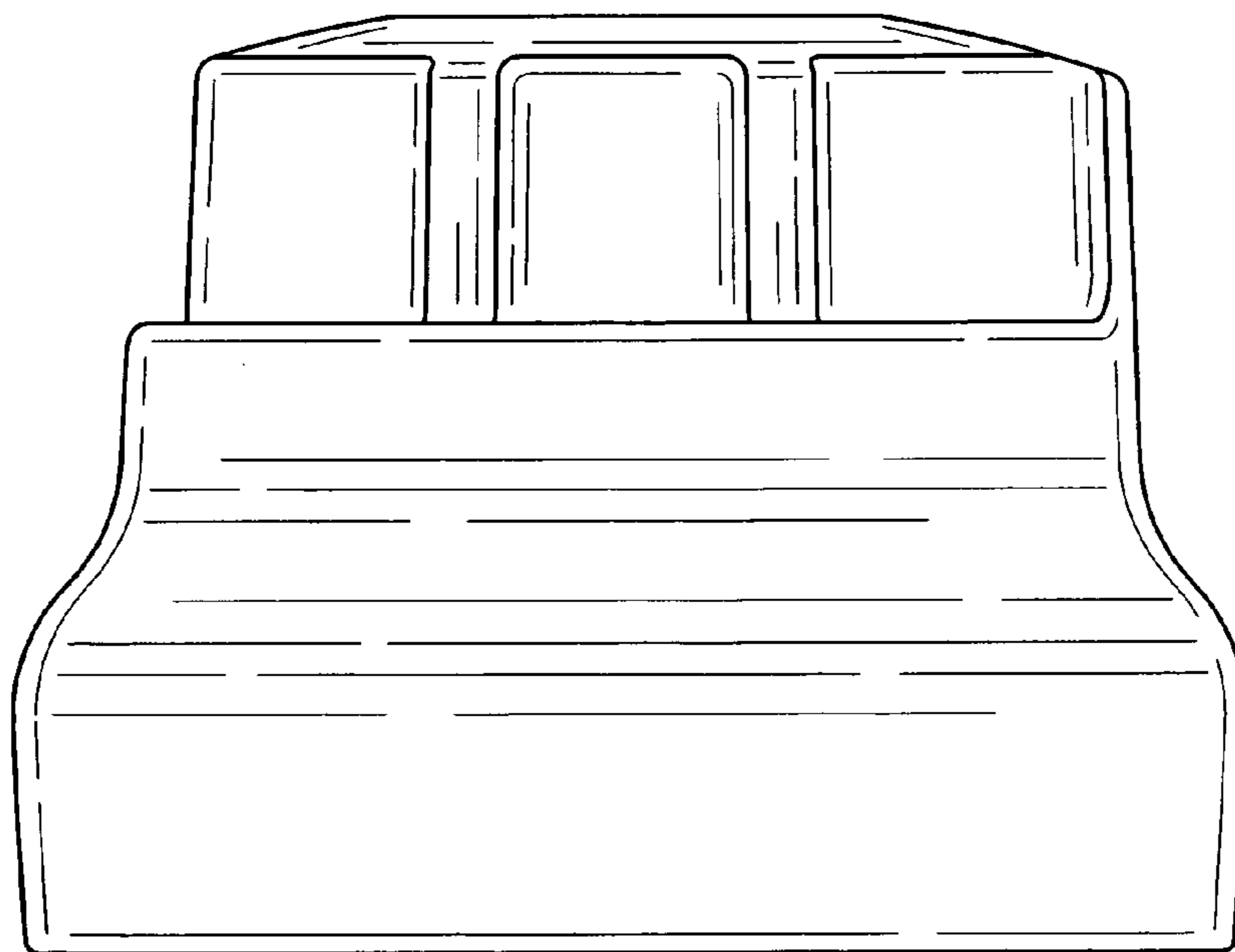


FIG. 4

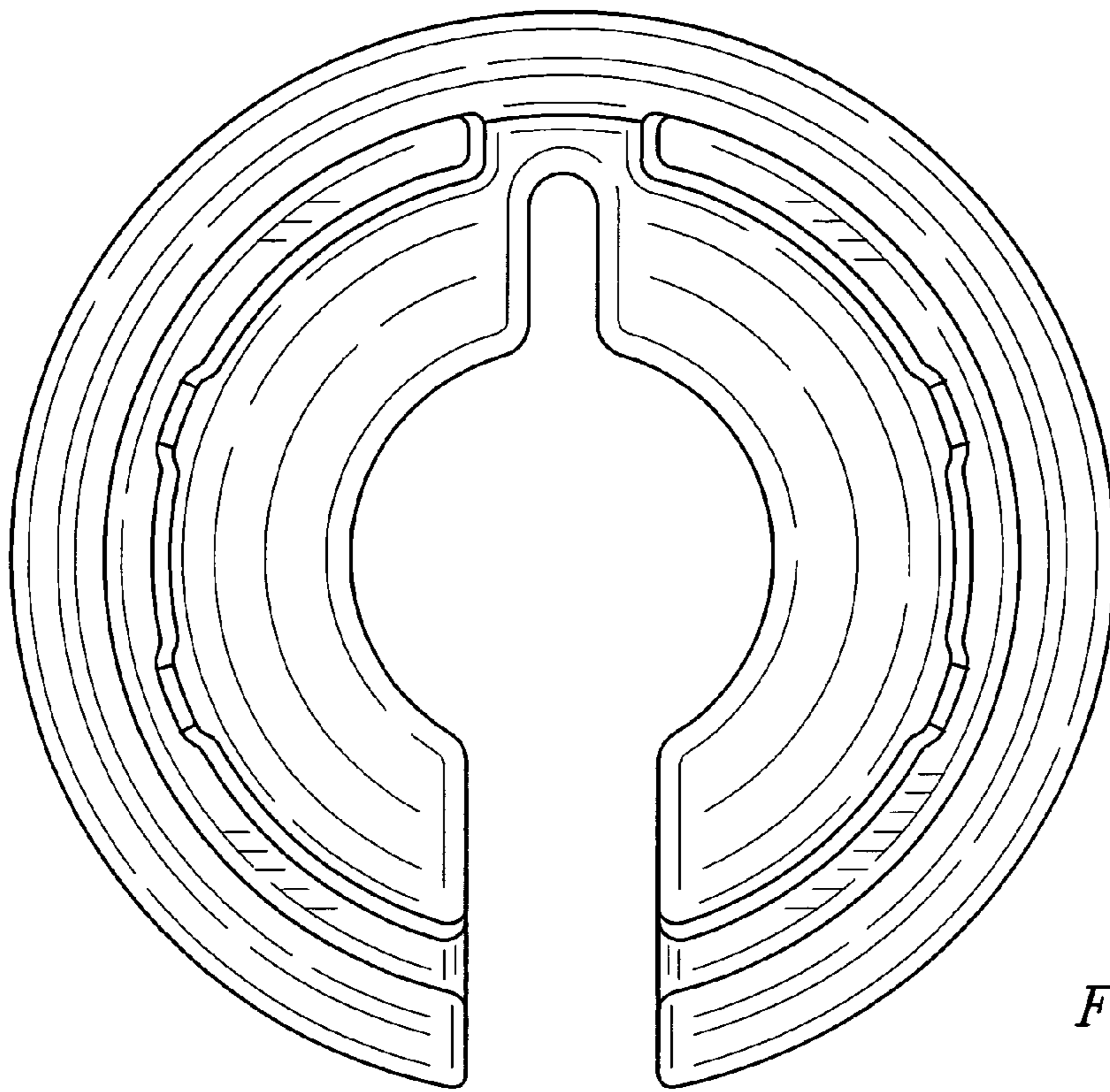


FIG. 5

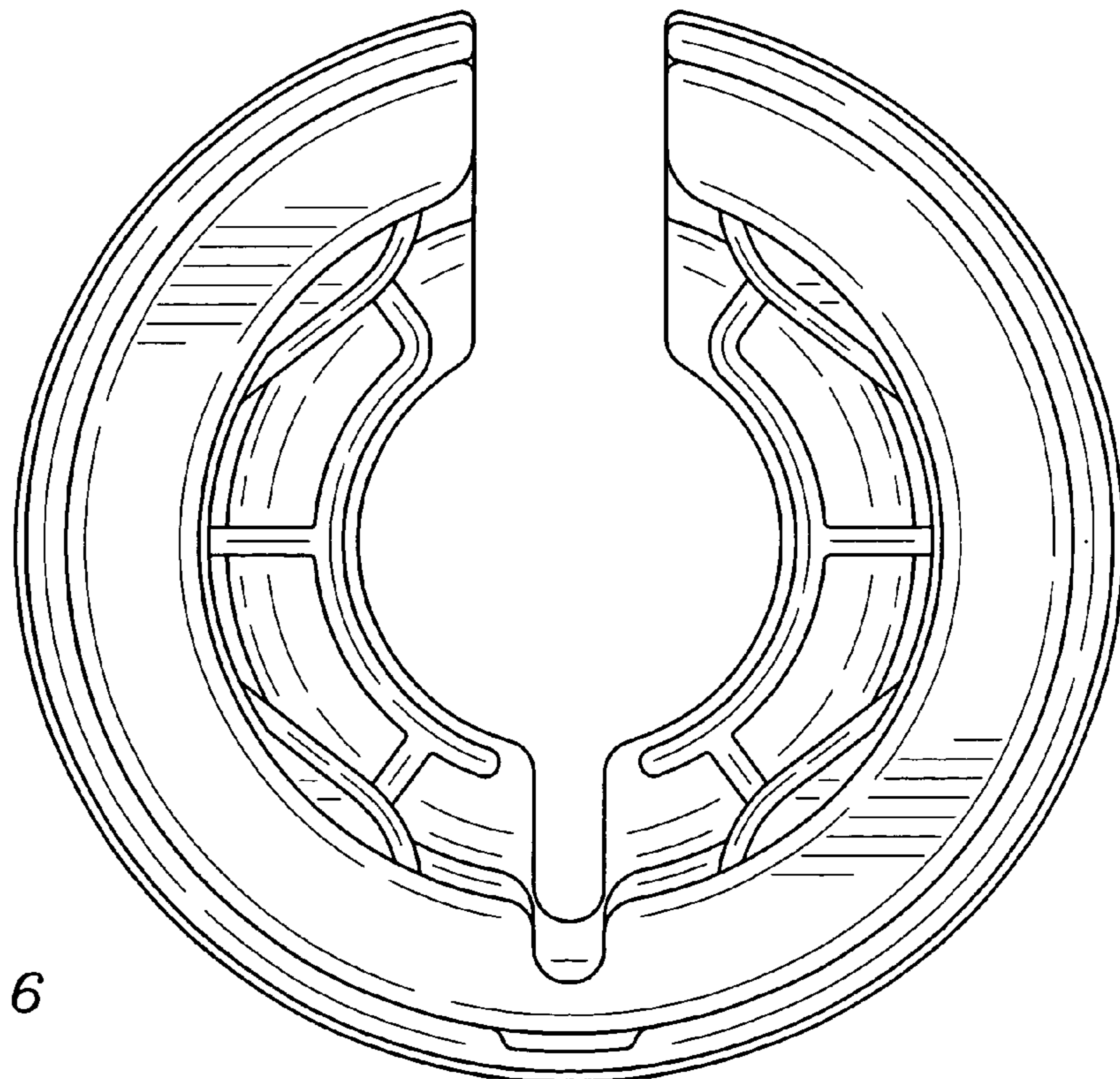


FIG. 6

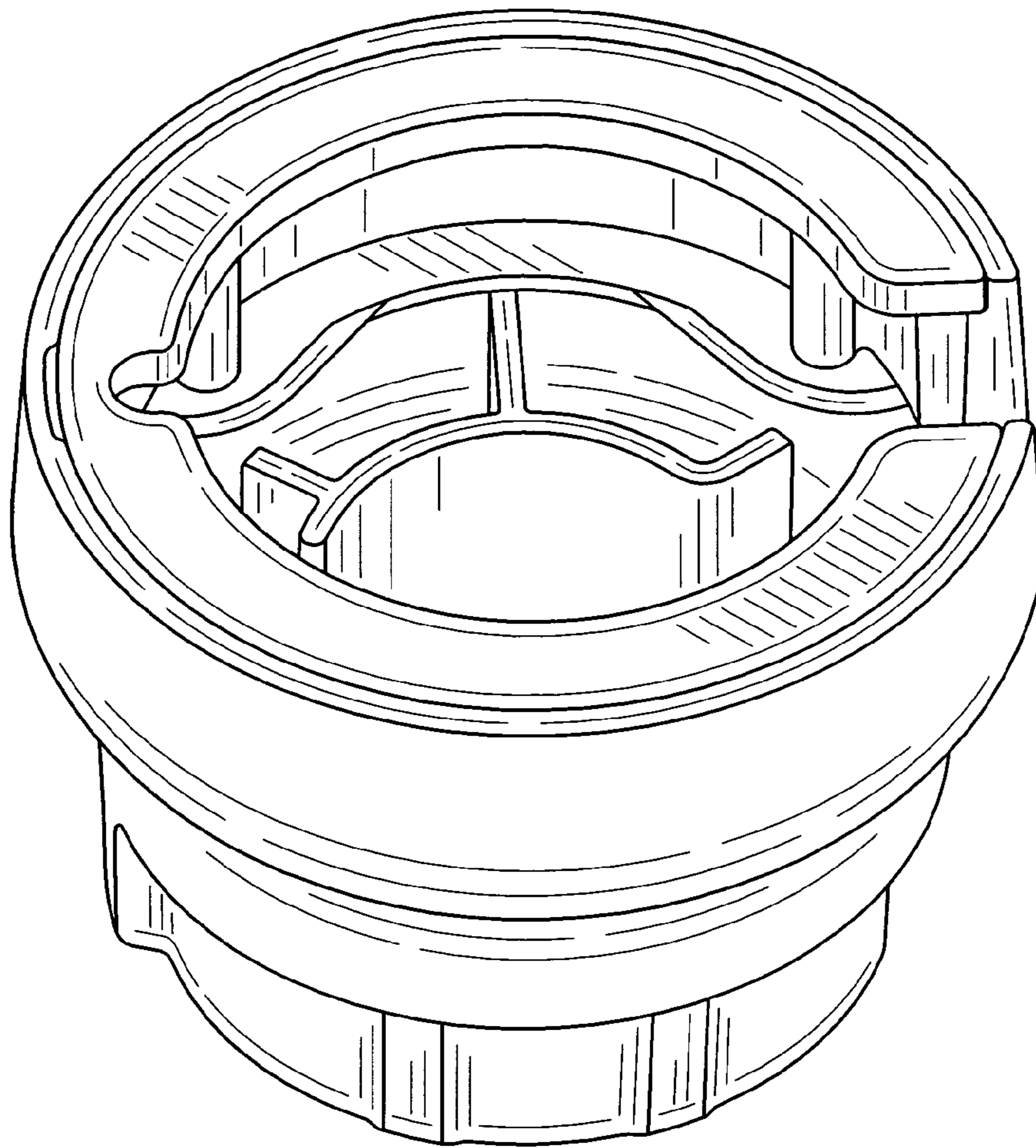


FIG. 7