



US00D605008S

(12) **United States Design Patent**
Robinson

(10) **Patent No.:** **US D605,008 S**
(45) **Date of Patent:** **** Dec. 1, 2009**

(54) **ROUND RATCHET HEAD WITH ROUND PLUG AND ROUND BODY**

2001/0003252 A1* 6/2001 Cerda 81/60
2007/0151427 A1* 7/2007 Chen et al. 81/177.2

* cited by examiner

(75) Inventor: **Glenn Robinson**, Coral Springs, FL (US)

Primary Examiner—Raphael Barkai

Assistant Examiner—Randall H Gholson

(73) Assignee: **IBT Holdings, LLC**, Coral Springs, FL (US)

(74) *Attorney, Agent, or Firm*—Scott D. Paul, Esq.; Steven M. Greenberg, Esq.; Carey, Rodriguez, Greenberg & Paul, LLP

(**) Term: **14 Years**

(57) **CLAIM**

(21) Appl. No.: **29/317,993**

The ornamental design for a round ratchet head with round plug and round body, as shown and described.

(22) Filed: **May 12, 2008**

DESCRIPTION

(51) **LOC (9) Cl.** **08-05**

FIG. 1 is a rear, left, bottom perspective of a round ratchet head with round plug and round body according to my new design.

(52) **U.S. Cl.** **D8/25**

FIG. 2 is a front, right, bottom perspective of the round ratchet head with round plug and round body thereof.

(58) **Field of Classification Search** D8/21-30;
81/60, 177.1, 177.85, 121.1, 124.3, 165-170,
81/110.1, 176.2, 124.6, 176.1, 176.15, 177.2;
16/110.1; D15/144.1; 219/75, 227, 229,
219/121.16, 121.18

FIG. 3 is a front view of the round ratchet head with round plug and round body thereof.

See application file for complete search history.

FIG. 4 is a rear view of the round ratchet head with round plug and round body thereof.

(56) **References Cited**

FIG. 5 is a left-side view of the round ratchet head with round plug and round body thereof.

U.S. PATENT DOCUMENTS

FIG. 6 is a right-side view of the round ratchet head with round plug and round body thereof.

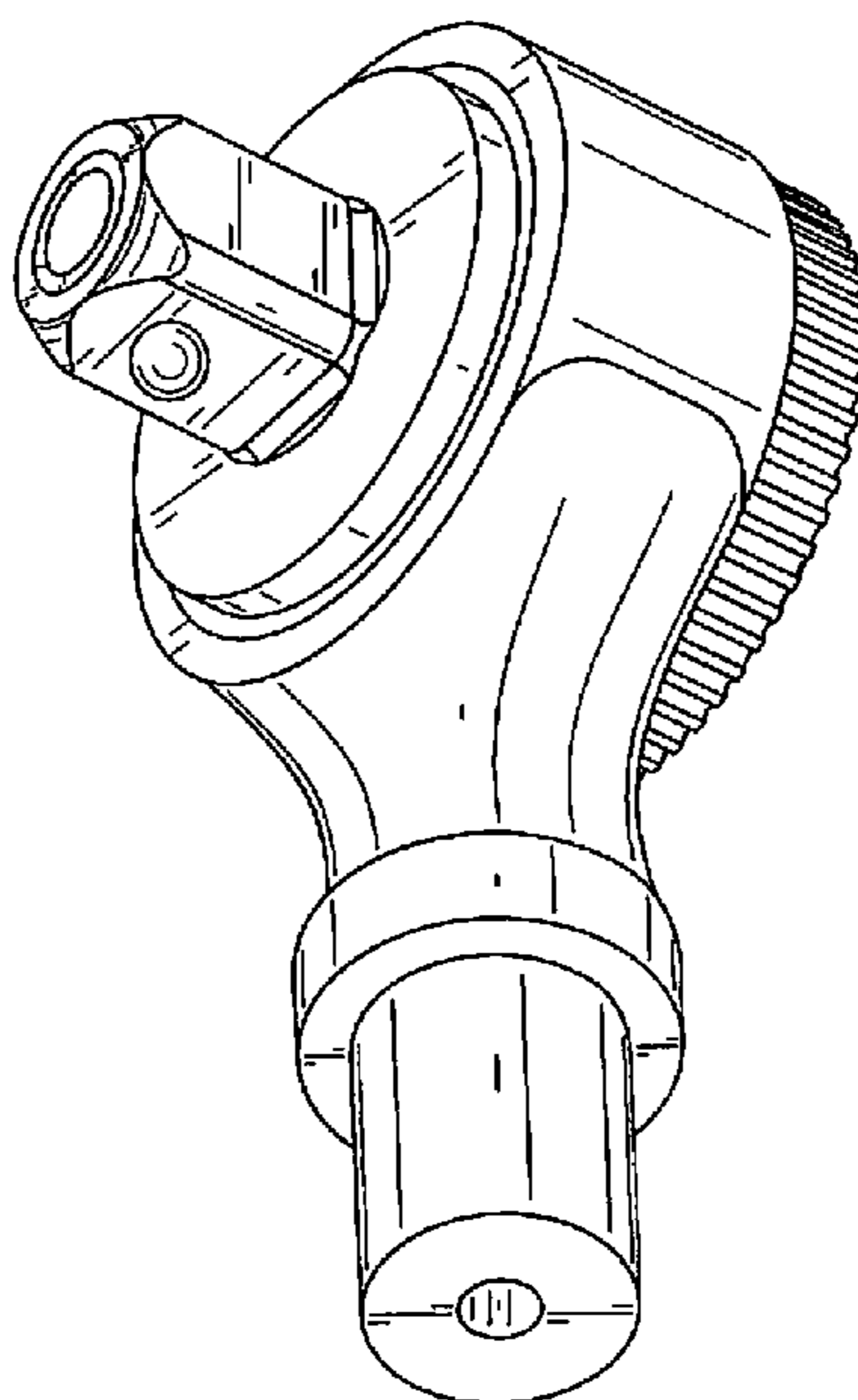
4,762,033	A *	8/1988	Chow	81/63.2
D419,419	S *	1/2000	Maharg et al.	D8/107
6,189,419	B1 *	2/2001	Pijanowski	81/57.39
6,378,400	B1 *	4/2002	Bogli	81/60
6,820,523	B1 *	11/2004	Chen	81/177.2
6,883,402	B2 *	4/2005	Cerda	81/177.2
D525,094	S *	7/2006	Tuanmu	D8/25
D576,456	S *	9/2008	Liao	D8/25
D580,243	S *	11/2008	Robinson	D8/22

FIG. 7 is a top view of the round ratchet head with round plug and round body thereof; and,

FIG. 8 is a bottom view of the round ratchet head with round plug and round body thereof.

The broken lines are for illustrative purposes only and form no part of the claimed design.

1 Claim, 4 Drawing Sheets



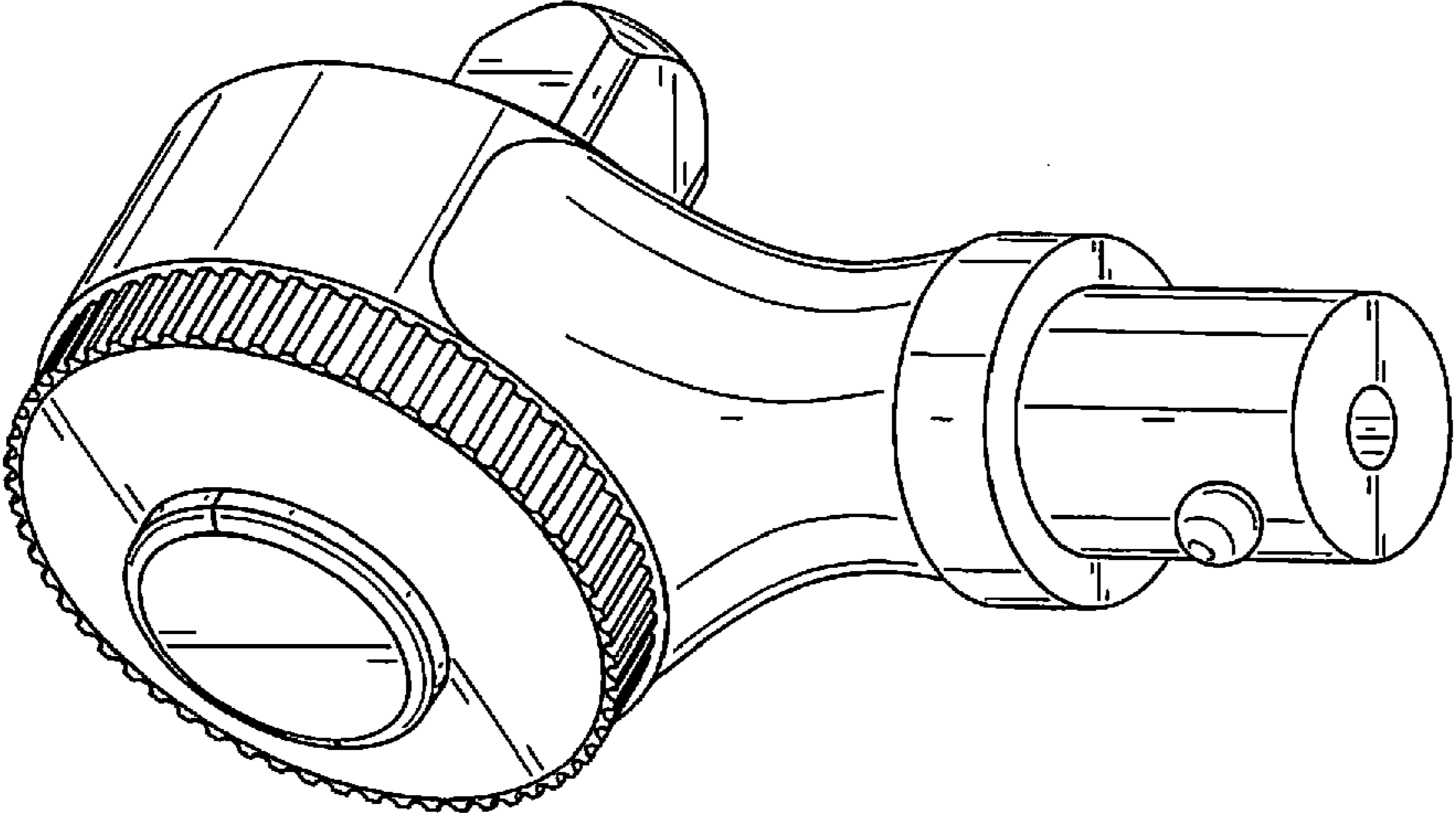


FIG. 2

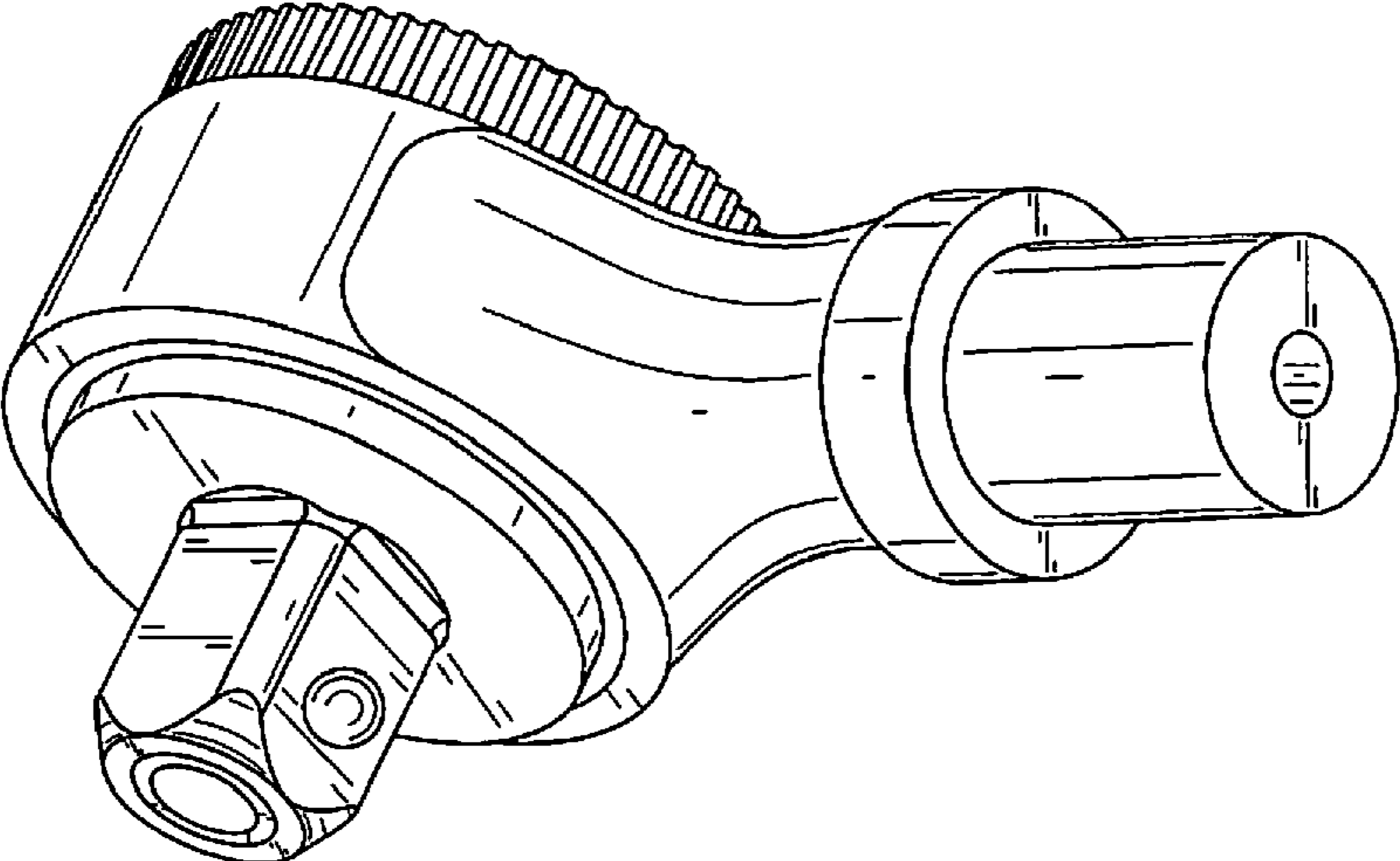


FIG. 1

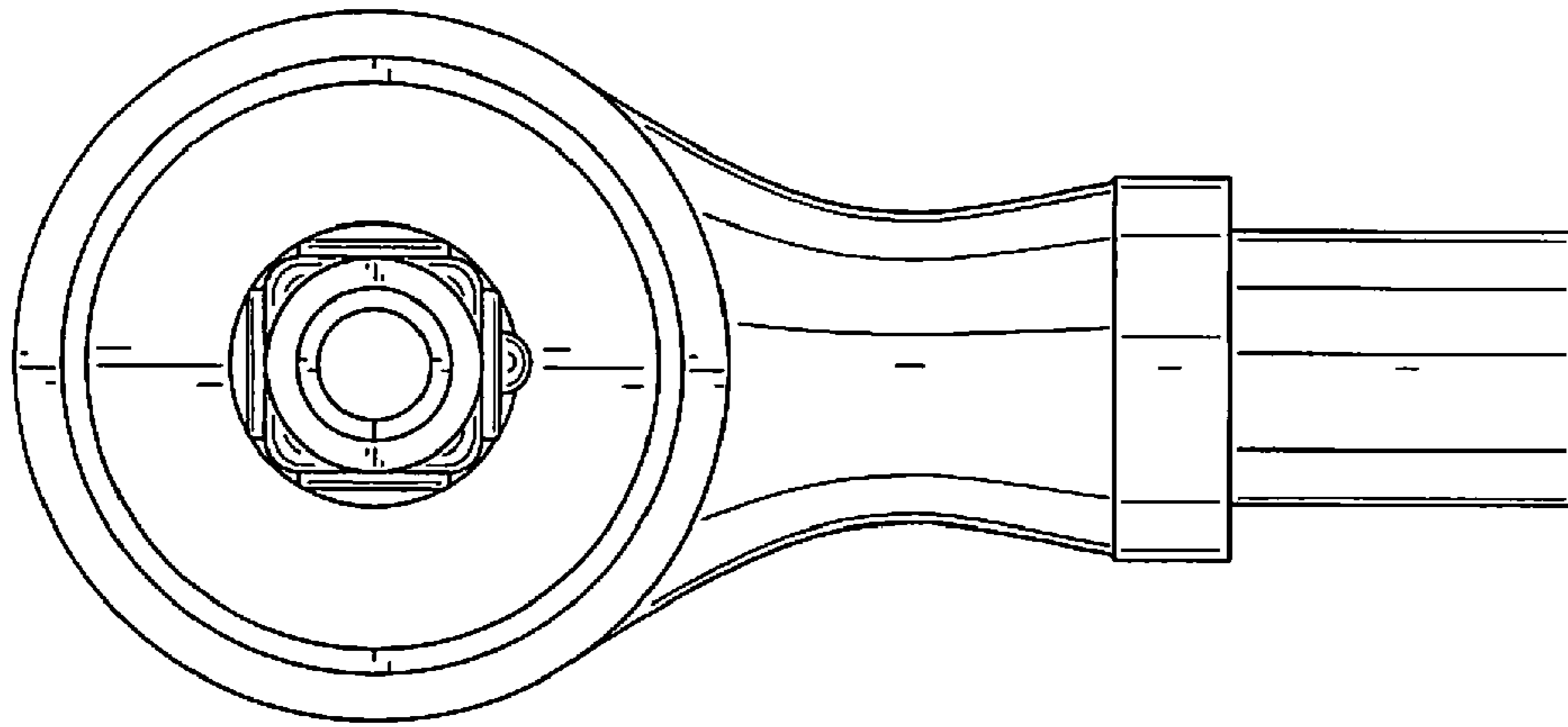


FIG. 4

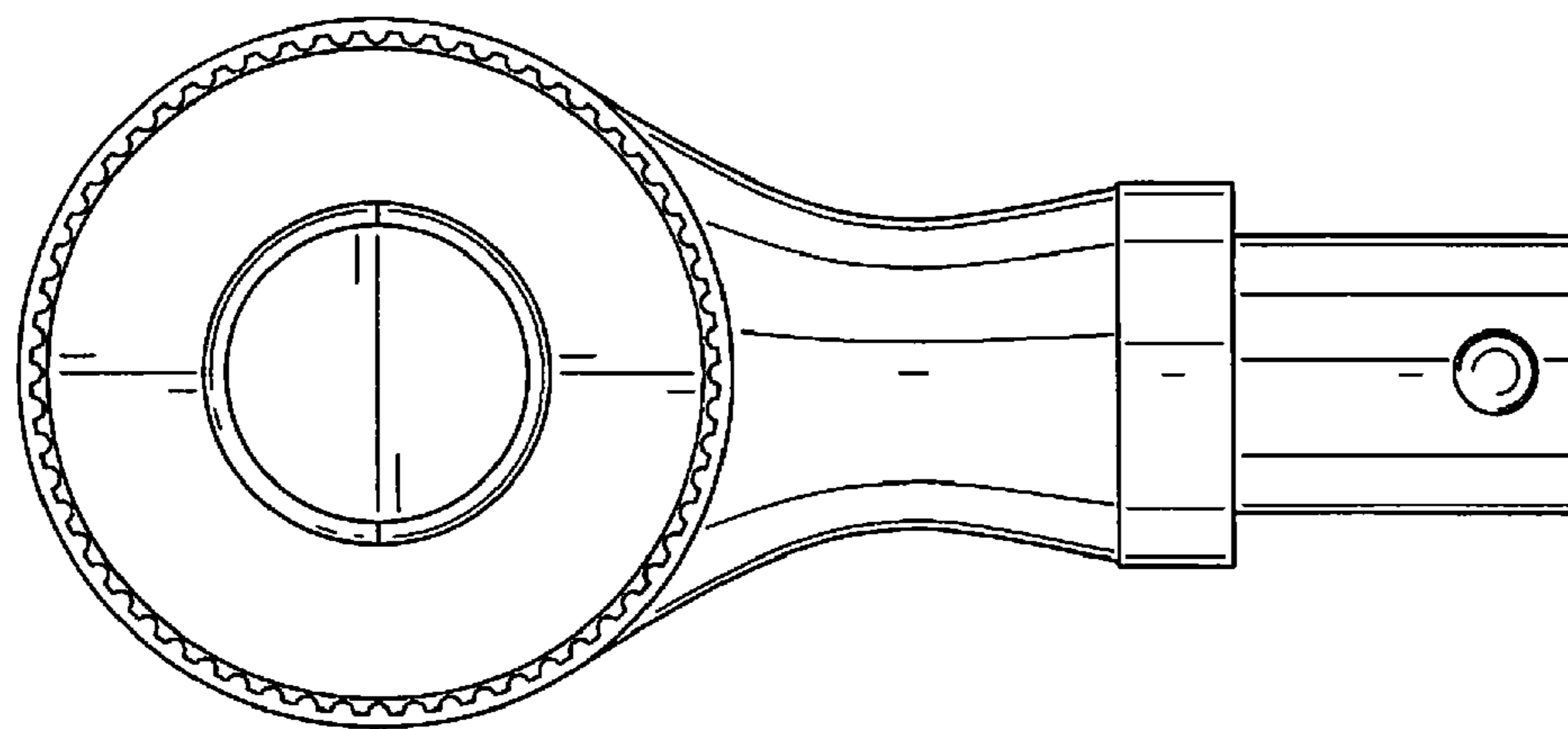


FIG. 3

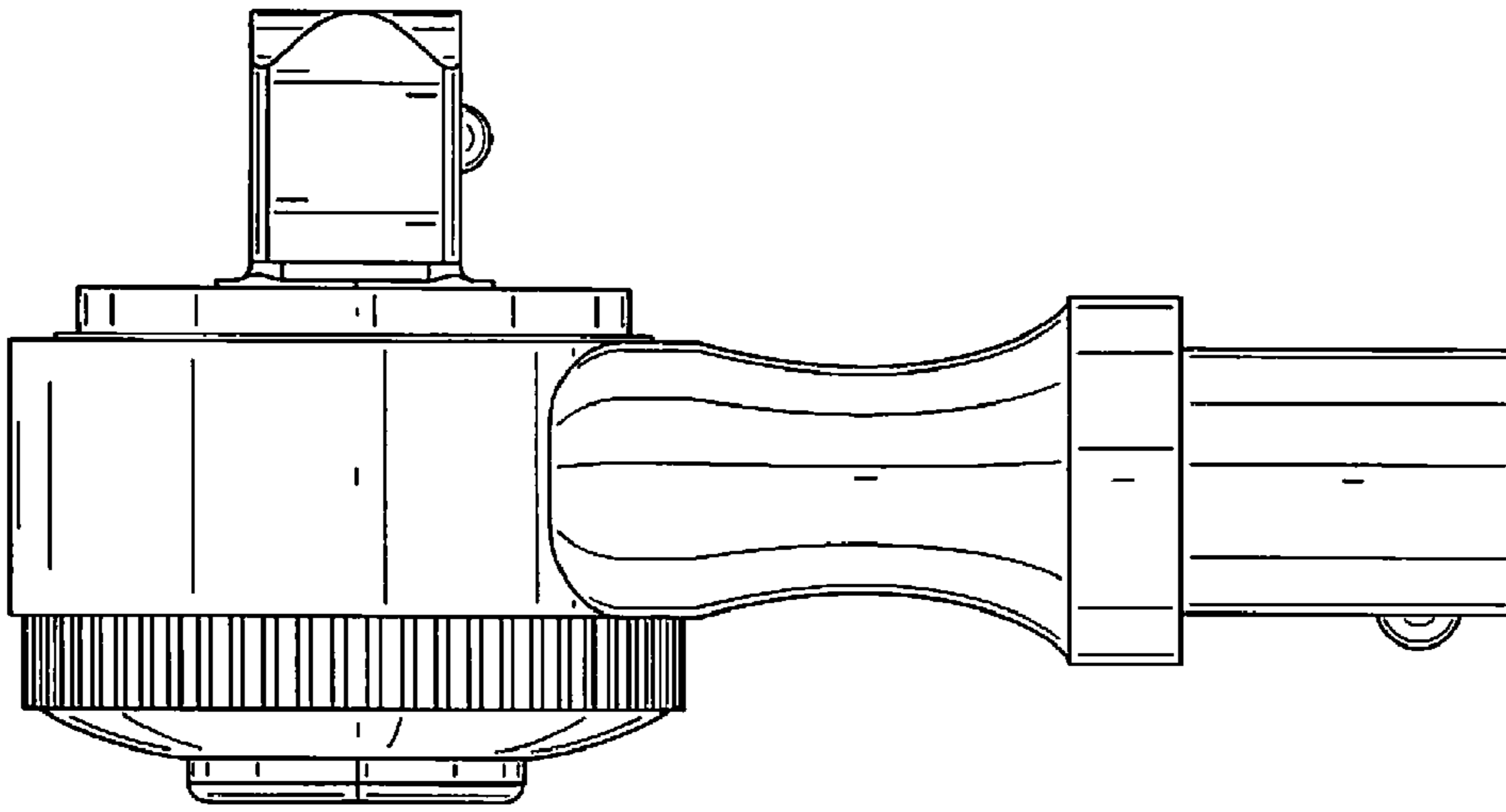


FIG. 6

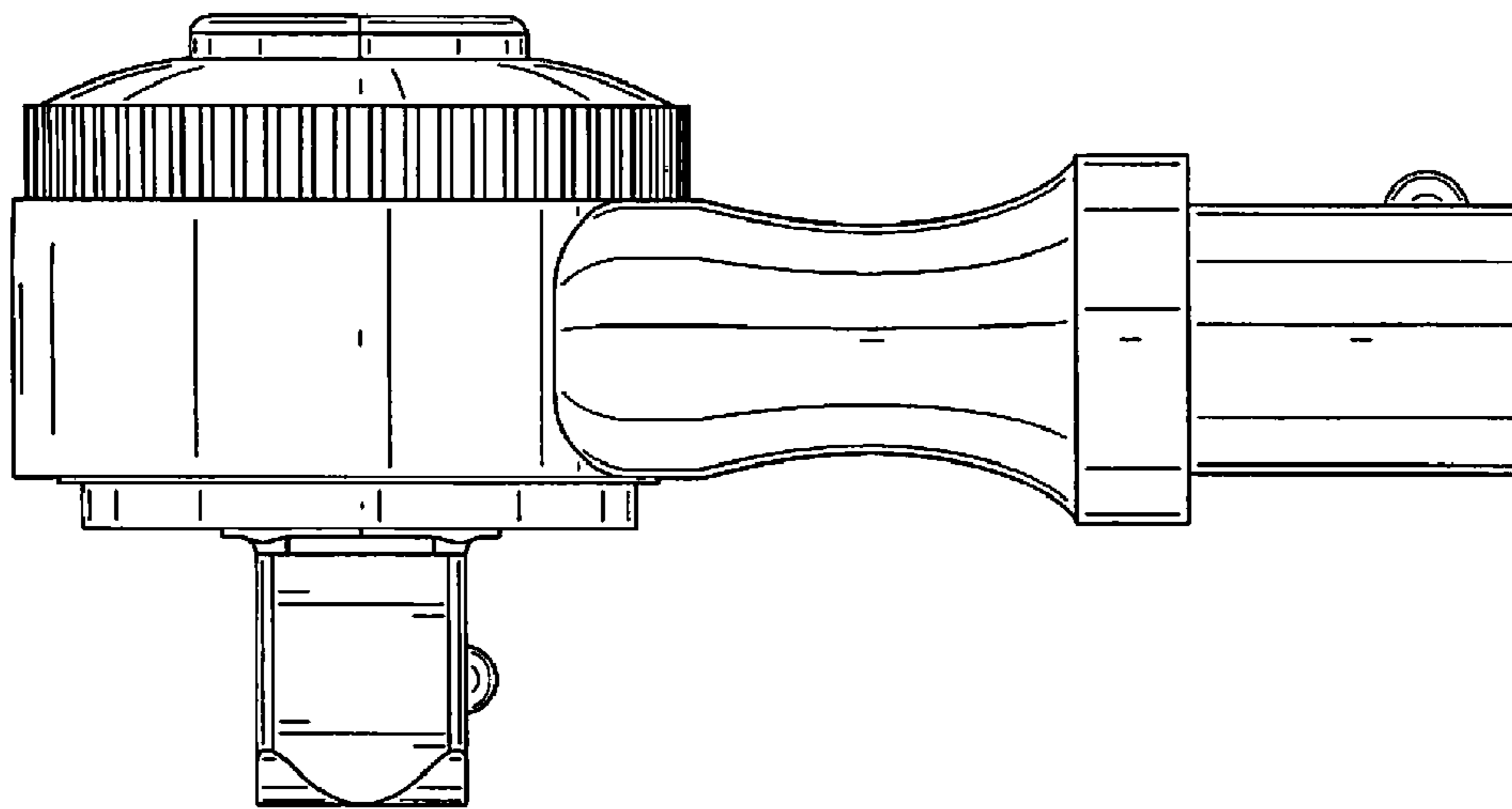


FIG. 5

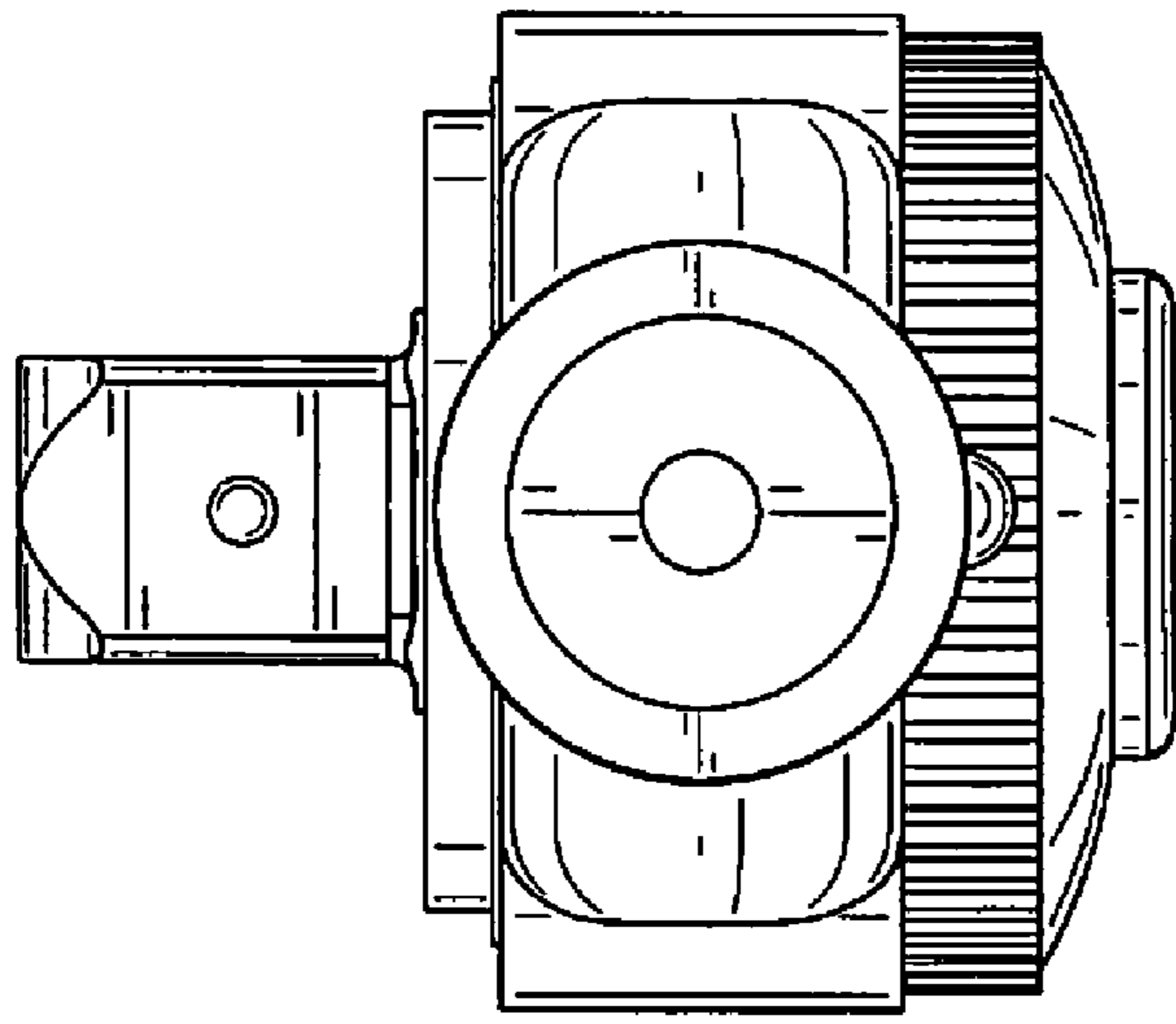


FIG. 8

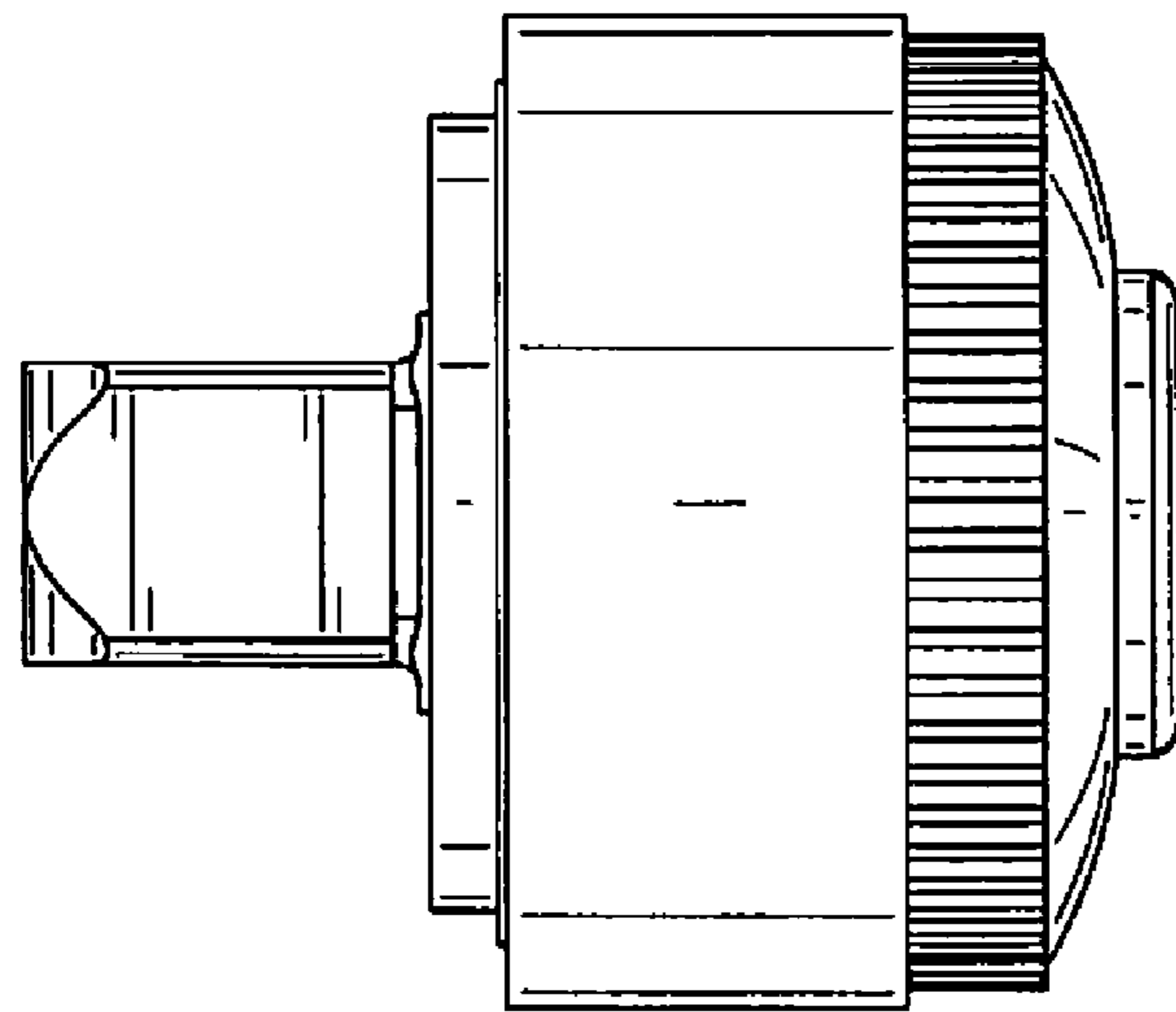


FIG. 7