



US00D604998S

(12) **United States Design Patent**  
**Ablo**

(10) **Patent No.:** **US D604,998 S**

(45) **Date of Patent:** **\*\* \*Dec. 1, 2009**

(54) **DUMPLING MAKER**

(75) Inventor: **Famia E. Ablo**, Orlando, FL (US)

(73) Assignee: **Dart Industries Inc.**, Orlando, FL (US)

(\*\*) Term: **14 Years**

(21) Appl. No.: **29/310,845**

(22) Filed: **Sep. 12, 2008**

(51) **LOC (9) Cl.** ..... **07-04**

(52) **U.S. Cl.** ..... **D7/674**

(58) **Field of Classification Search** ..... D7/672-677;  
425/318, 195, 409, 87; 100/234; 249/66.1,  
249/170, 112, 160

See application file for complete search history.

(56) **References Cited**

**U.S. PATENT DOCUMENTS**

D206,606 S \* 1/1967 Brown ..... D7/674  
4,344,529 A \* 8/1982 Ibarzabal ..... 425/409  
D530,991 S \* 10/2006 West et al. .... D7/674

**OTHER PUBLICATIONS**

A copy of the box for a Dumpling Maker; Metro/Thebe Inc. DBA Metro Marketing, ©1996 (6 pages); and A digital photograph show-

ing perspective, front, top and bottom views of one of the dumpling makers from Metro/Thebe Inc. (1 page).

\* cited by examiner

*Primary Examiner*—Terry A Wallace

(74) *Attorney, Agent, or Firm*—John A. Doninger

(57) **CLAIM**

The ornamental design for a dumpling maker, as shown and described.

**DESCRIPTION**

FIG. 1 is a top, side and front perspective view of a dumpling maker showing my new design;

FIG. 2 is a front elevation view;

FIG. 3 is a rear elevation view;

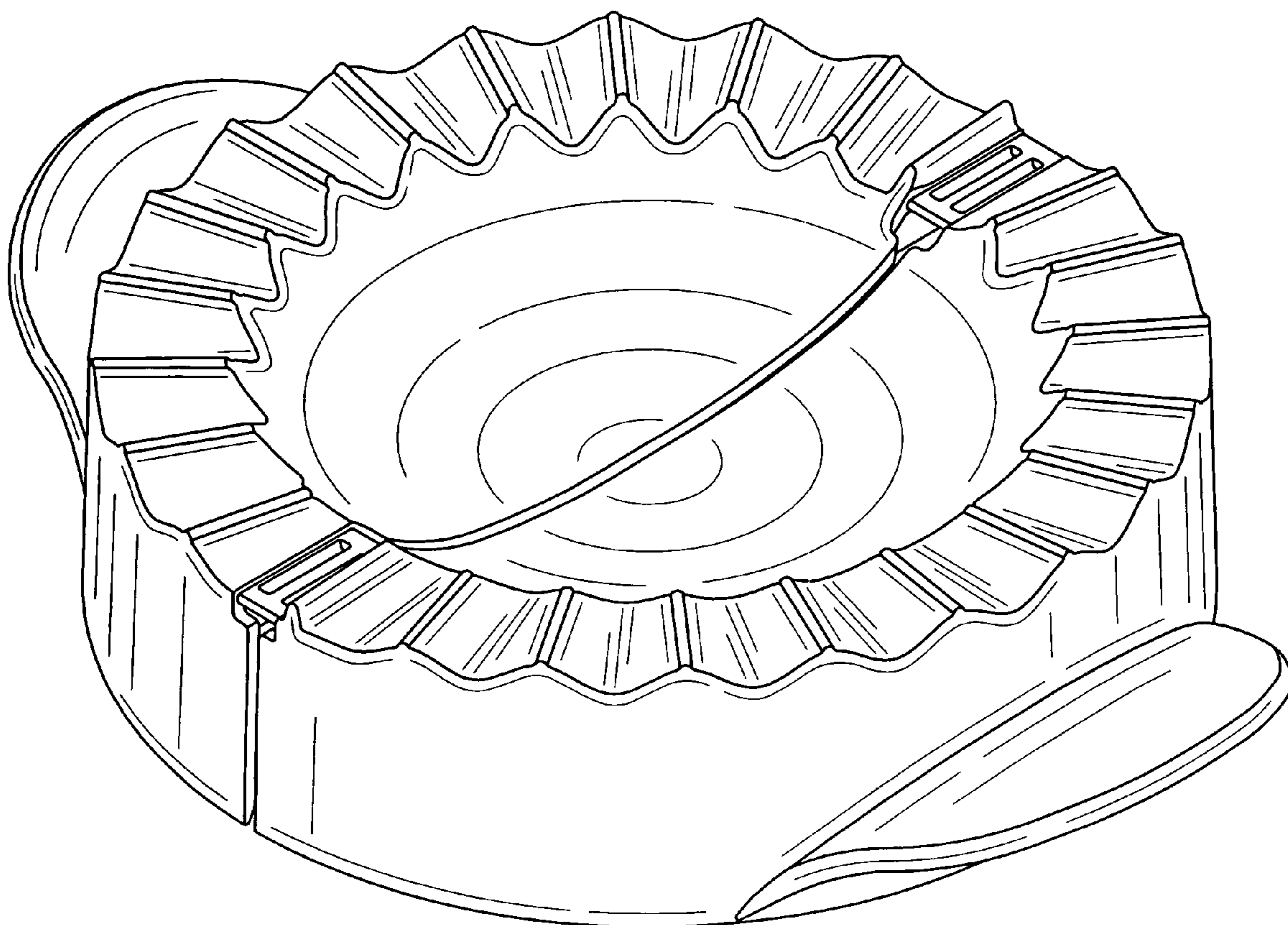
FIG. 4 is a left side elevation view, the right side elevation being a mirror image thereof;

FIG. 5 is a top plan view thereof;

FIG. 6 is a bottom plan view thereof; and,

FIG. 7 is a bottom, side and rear perspective view thereof.

**1 Claim, 6 Drawing Sheets**



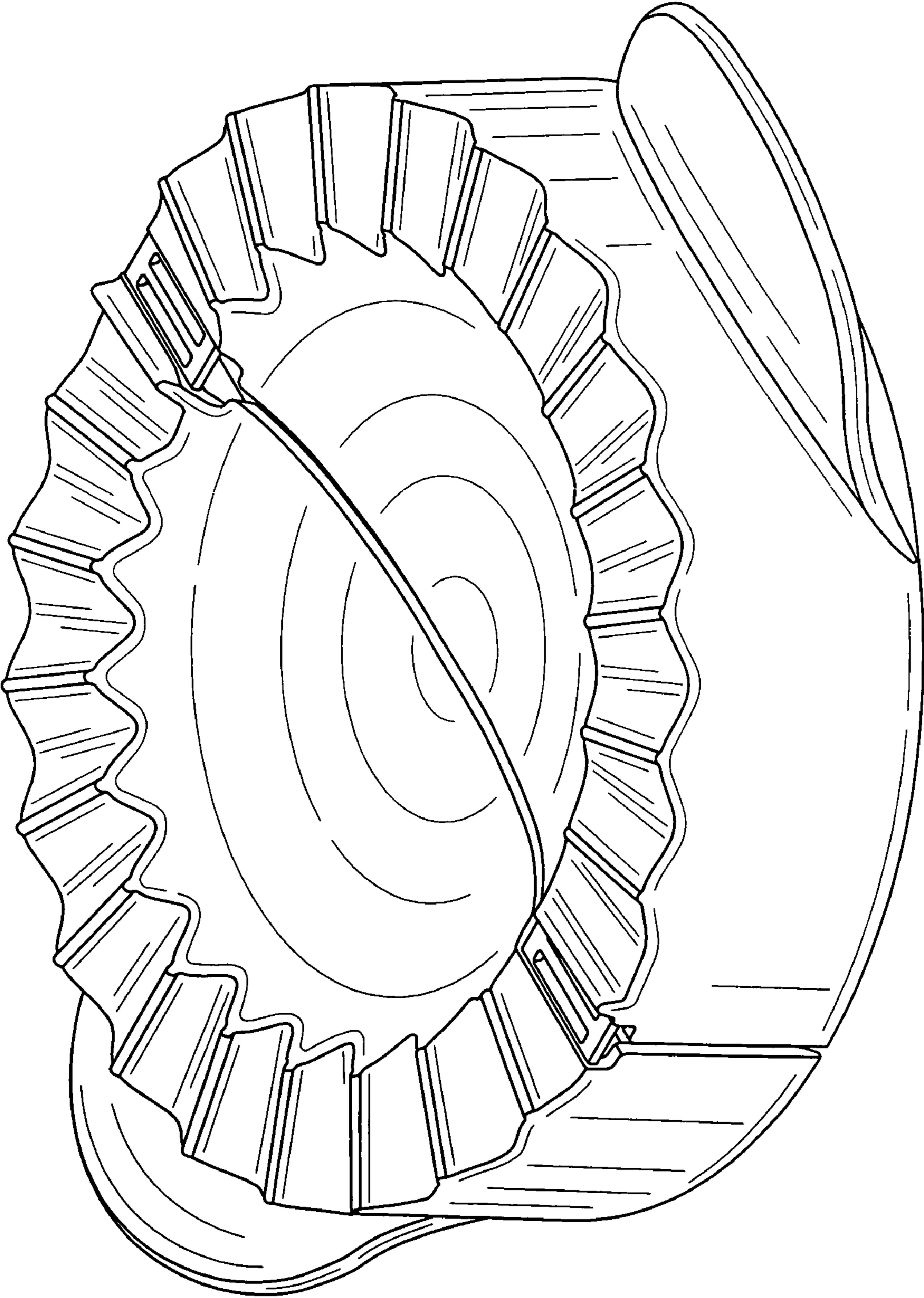


FIG. 1

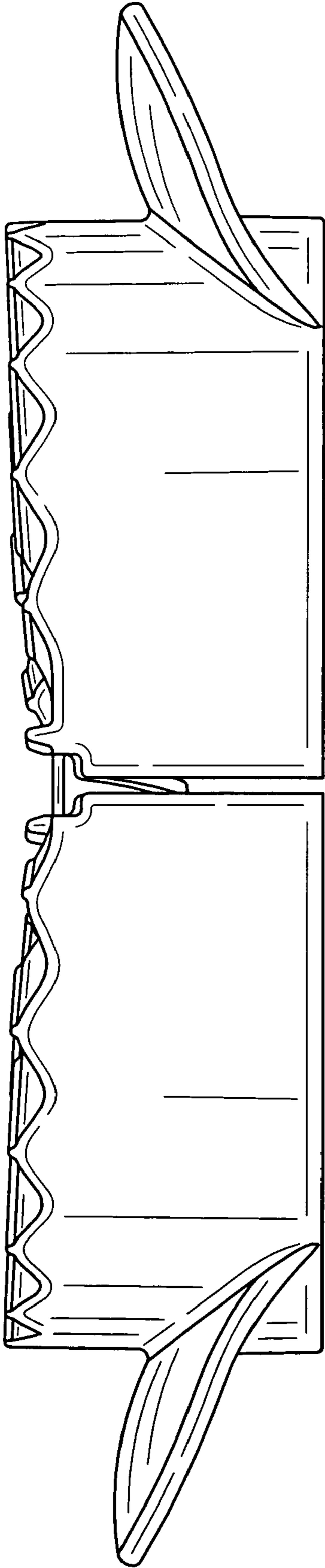


FIG. 2

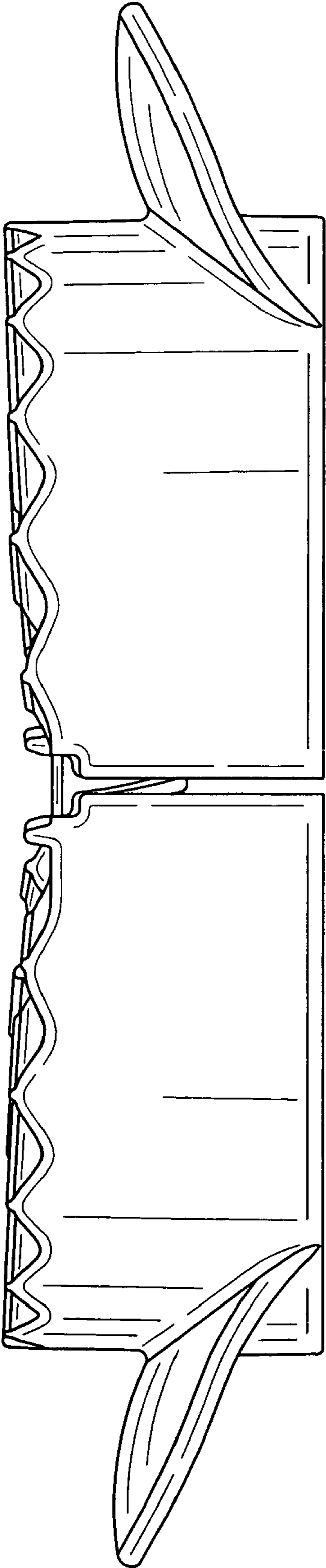


FIG. 3

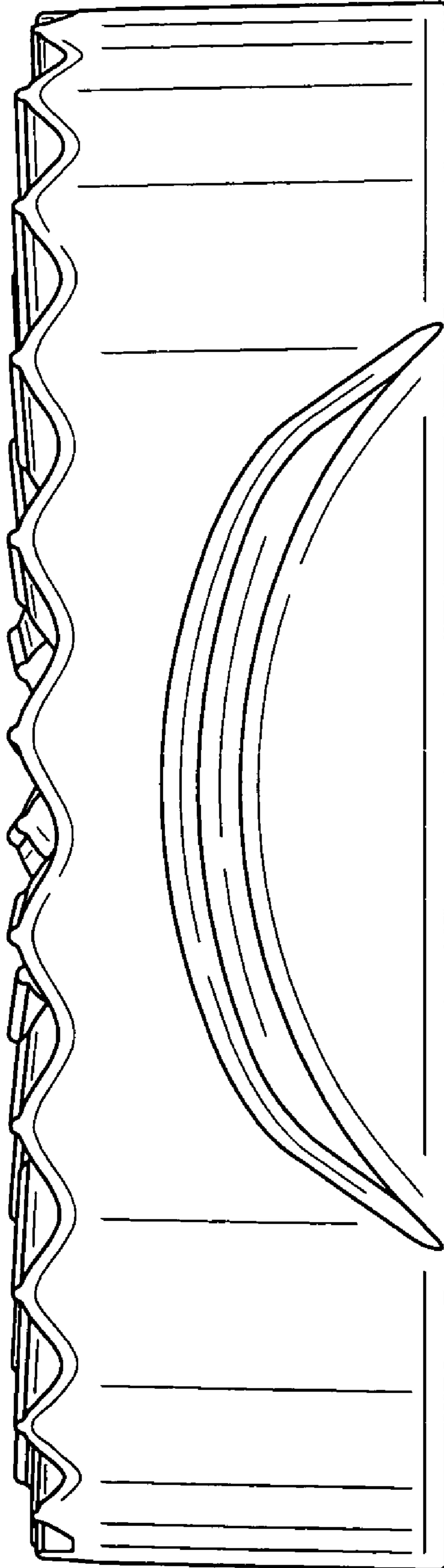


FIG. 4



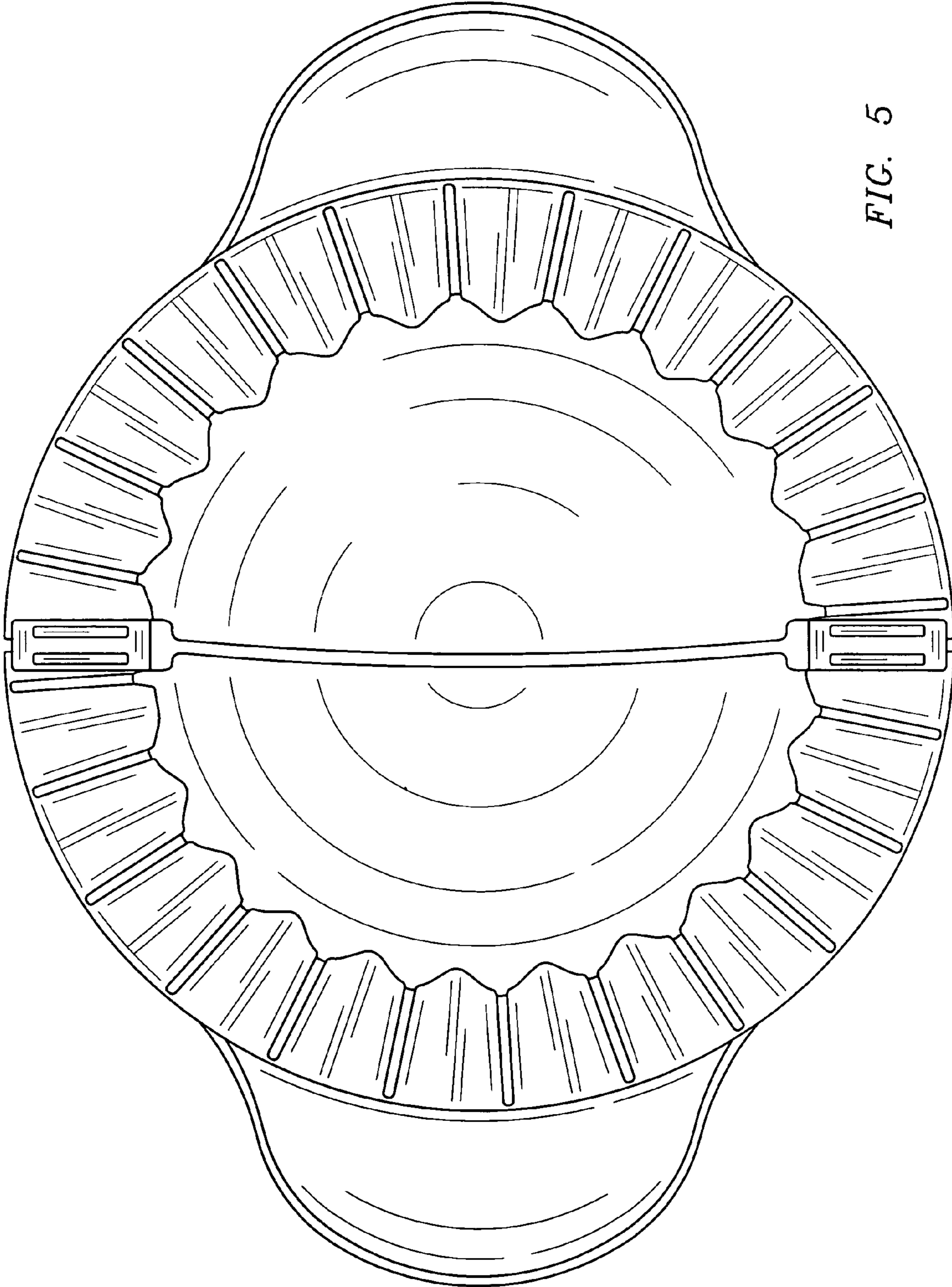


FIG. 5

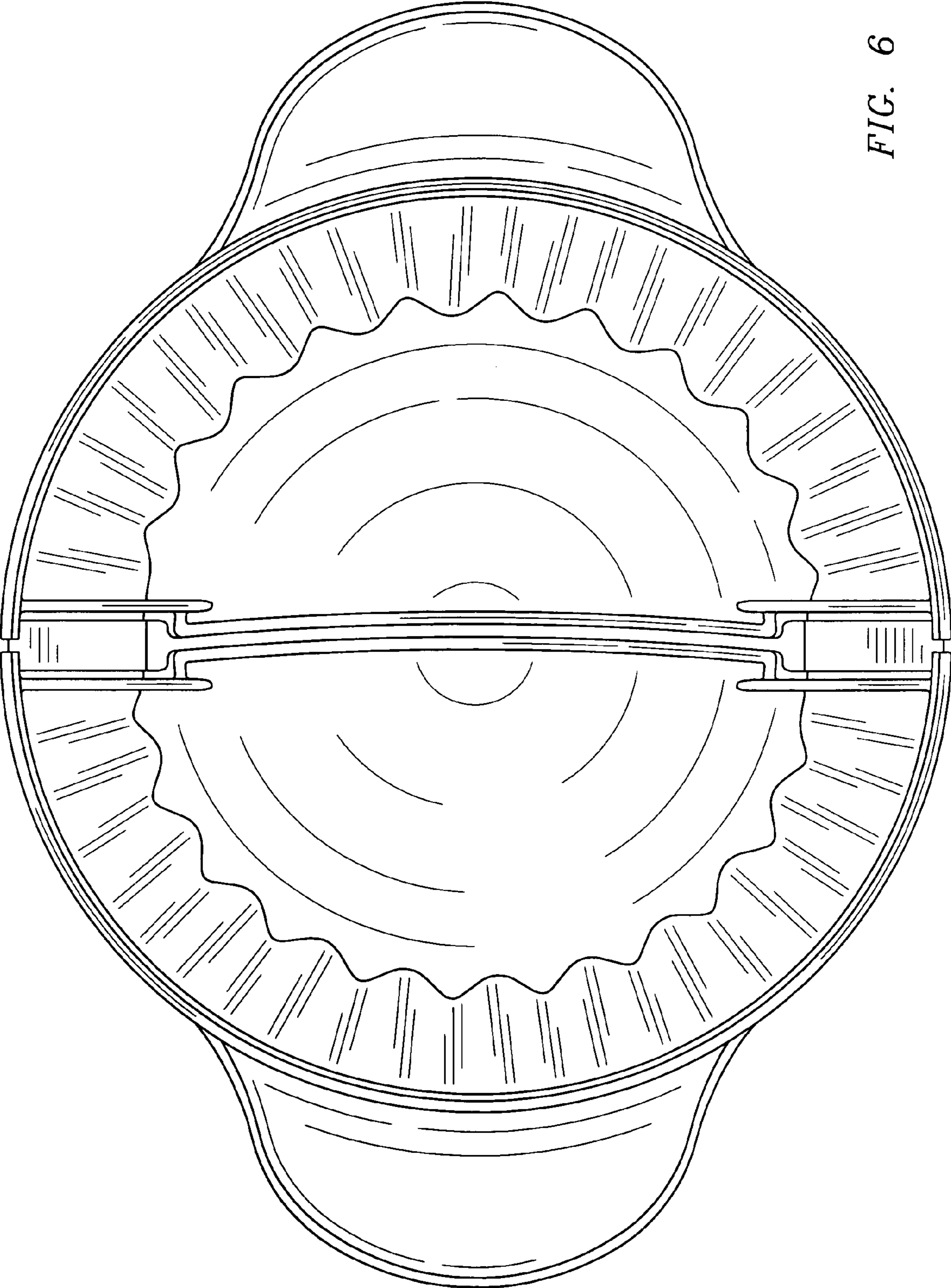


FIG. 6

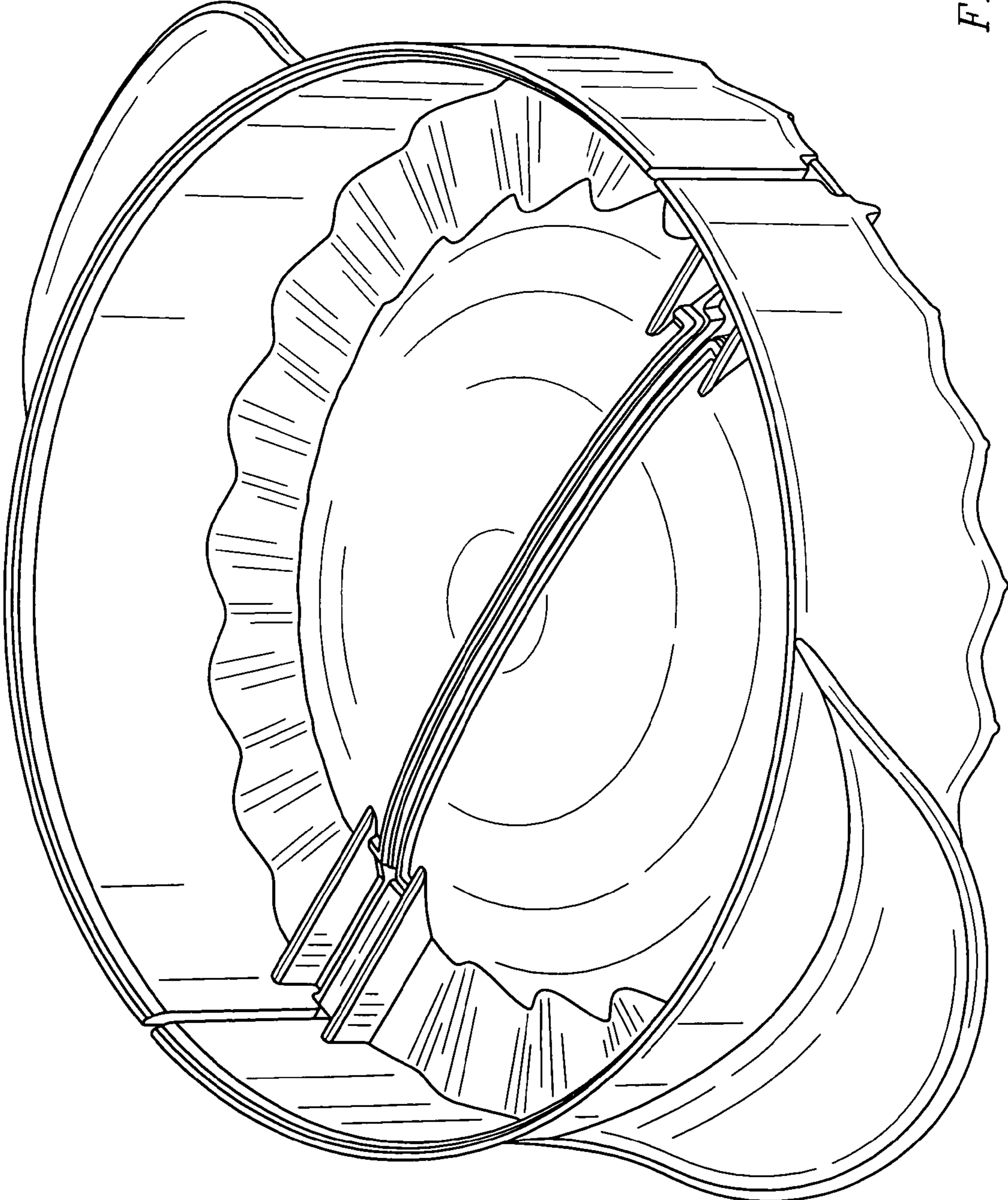


FIG. 7