



US00D604997S

(12) **United States Design Patent**
Kuehneman et al.

(10) **Patent No.:** **US D604,997 S**
(45) **Date of Patent:** **** Dec. 1, 2009**

(54) **PAPER PRODUCT DISPENSER**

(75) Inventors: **Bret A. Kuehneman**, Nennah, WI (US);
Rachel Desmidt, Madison, WI (US);
Daniel R. Nett, Sun Prairie, WI (US);
Andy Lee Kirkpatrick, Green Bay, WI
(US); **William Lindeman**, Marshall, WI
(US); **Cathy Lindeman**, legal
representative, Marshall, WI (US)

(73) Assignee: **Georgia-Pacific Consumer Products
LP**, Atlanta, GA (US)

(**) Term: **14 Years**

(21) Appl. No.: **29/333,280**

(22) Filed: **Mar. 5, 2009**

Related U.S. Application Data

(63) Continuation of application No. 29/328,574, filed on
Nov. 26, 2008.

(51) **LOC (9) Cl.** **07-06**

(52) **U.S. Cl.** **D7/631**

(58) **Field of Classification Search** D7/631-634;
206/409, 233, 494; D6/518-525; 221/30-60,
221/208, 227, 279, 282, 284

See application file for complete search history.

(56) **References Cited**

U.S. PATENT DOCUMENTS

348,379 A	8/1886	Caesar	
2,426,136 A	8/1947	Agamaite Jr, et al.	
2,852,158 A	9/1958	Jones et al.	
3,473,672 A	10/1969	Fincher et al	
3,878,966 A	4/1975	Haboush et al	
4,155,484 A *	5/1979	Pastore	221/35
4,679,703 A	7/1987	De Luca	
4,838,454 A *	6/1989	Salzmann et al.	221/57
5,076,466 A	12/1991	Petterson et al.	
5,090,592 A	2/1992	Petterson et al.	
5,100,020 A	3/1992	Petterson et al.	
5,102,007 A	4/1992	Petterson et al.	
5,156,293 A	10/1992	Petterson et al.	
D331,515 S	12/1992	Petterson et al.	
D371,708 S	7/1996	Haley et al.	
D379,569 S *	6/1997	Strickland et al.	D6/518

6,257,443 B1	7/2001	LaCount	
6,585,129 B2	7/2003	Moody et al.	
6,899,251 B2	5/2005	Christensen et al.	
6,981,610 B2	1/2006	Smiley et al.	
D526,165 S	8/2006	Burns et al.	
D528,871 S *	9/2006	Zeiron	D7/631
7,134,571 B2	11/2006	Hochtritt et al.	
D571,159 S *	6/2008	Pommier et al.	D7/631
7,543,719 B2	6/2009	Young et al.	
2003/0019880 A1	1/2003	Timmers et al.	
2003/0062375 A1	4/2003	Christensen et al.	
2003/0192903 A1 *	10/2003	Sauer et al.	221/48
2005/0056657 A1	3/2005	Hochtritt et al.	
2005/0150898 A1 *	7/2005	Young et al.	221/53
2006/0071012 A1	4/2006	Reinsel et al.	
2008/0257903 A1 *	10/2008	Hirasawa et al.	221/52

* cited by examiner

Primary Examiner—Terry A Wallace

(74) *Attorney, Agent, or Firm*—Joel T. Charlton

(57) **CLAIM**

We claim, the ornamental design for a paper product dispenser, as shown and described.

DESCRIPTION

This application is related to and claims the benefit of U.S. Design patent application No. 29/328,574 filed on Nov. 26, 2008, the contents of which are herein incorporated by reference in their entirety.

FIG. 1 is a front perspective view of a paper product dispenser, showing our new design;

FIG. 2 is a front elevation view thereof,

FIG. 3 is a rear elevation view thereof;

FIG. 4 is a top plan view thereof;

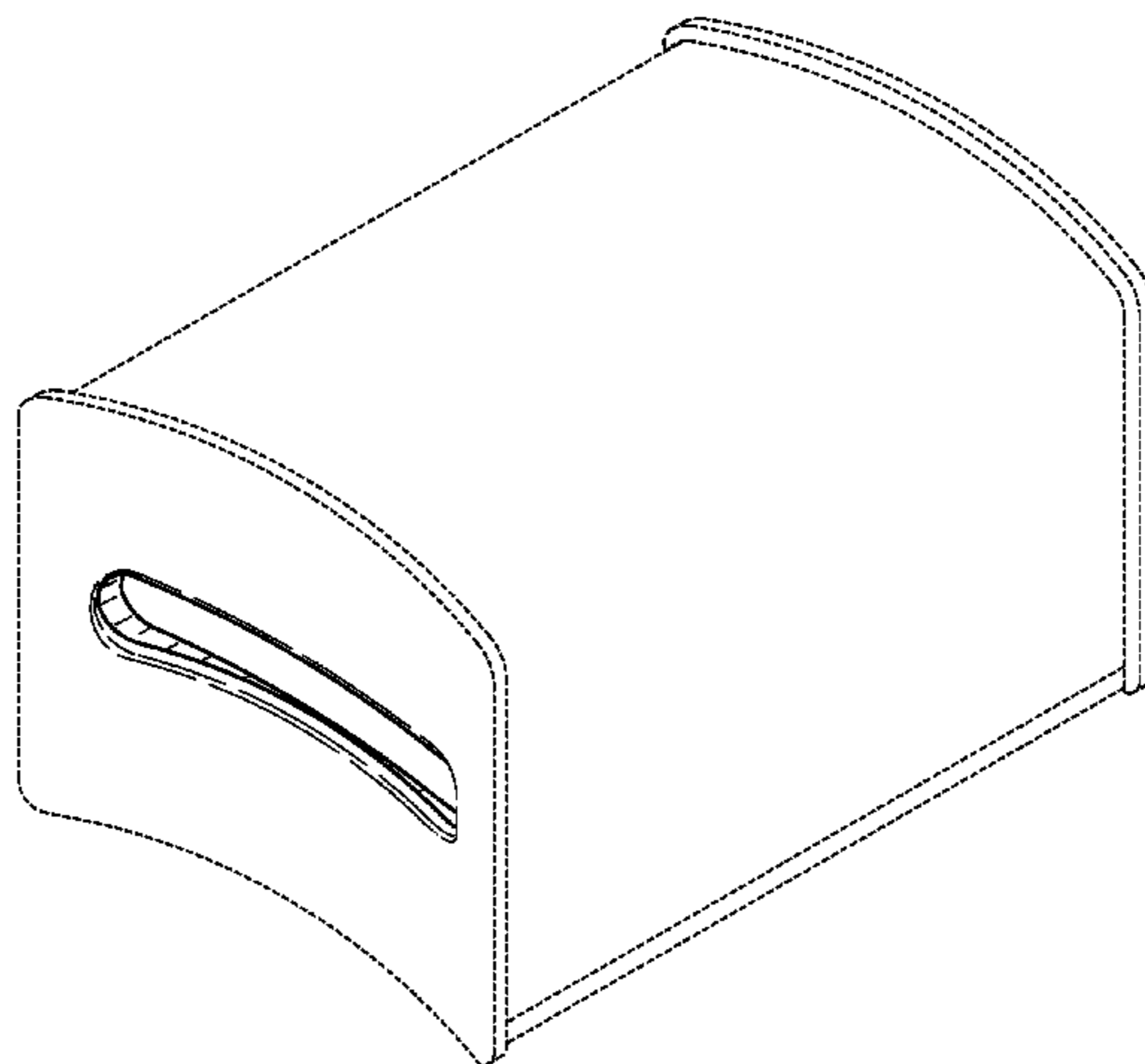
FIG. 5 is a side view thereof taken from the right of FIG. 2, the opposite side view being a mirror image;

FIG. 6 is a bottom plan view thereof; and,

FIG. 7 is another front perspective view thereof.

The broken lines are for illustrative purposes only and form no part of the claimed design.

1 Claim, 6 Drawing Sheets



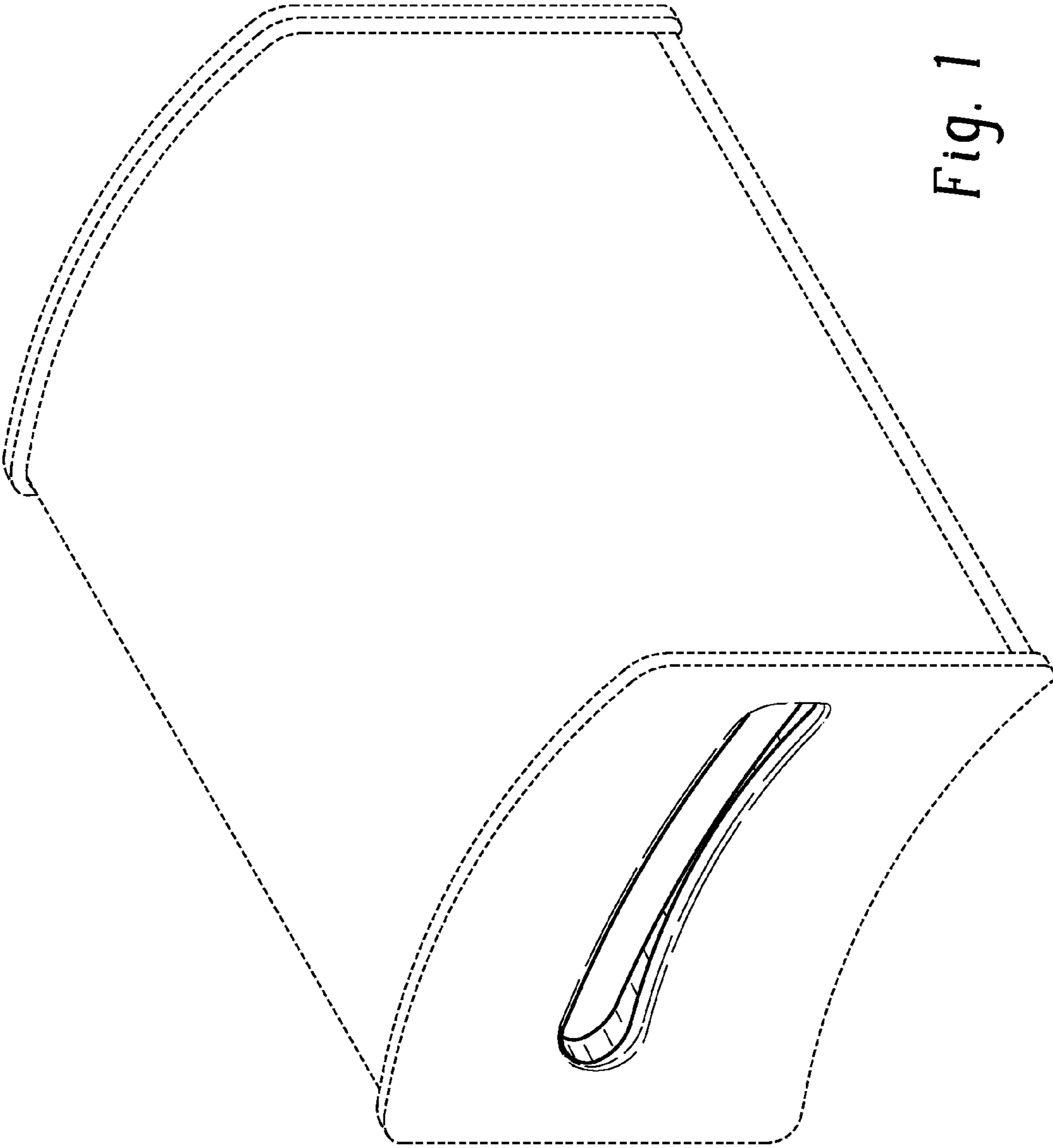


Fig. 1

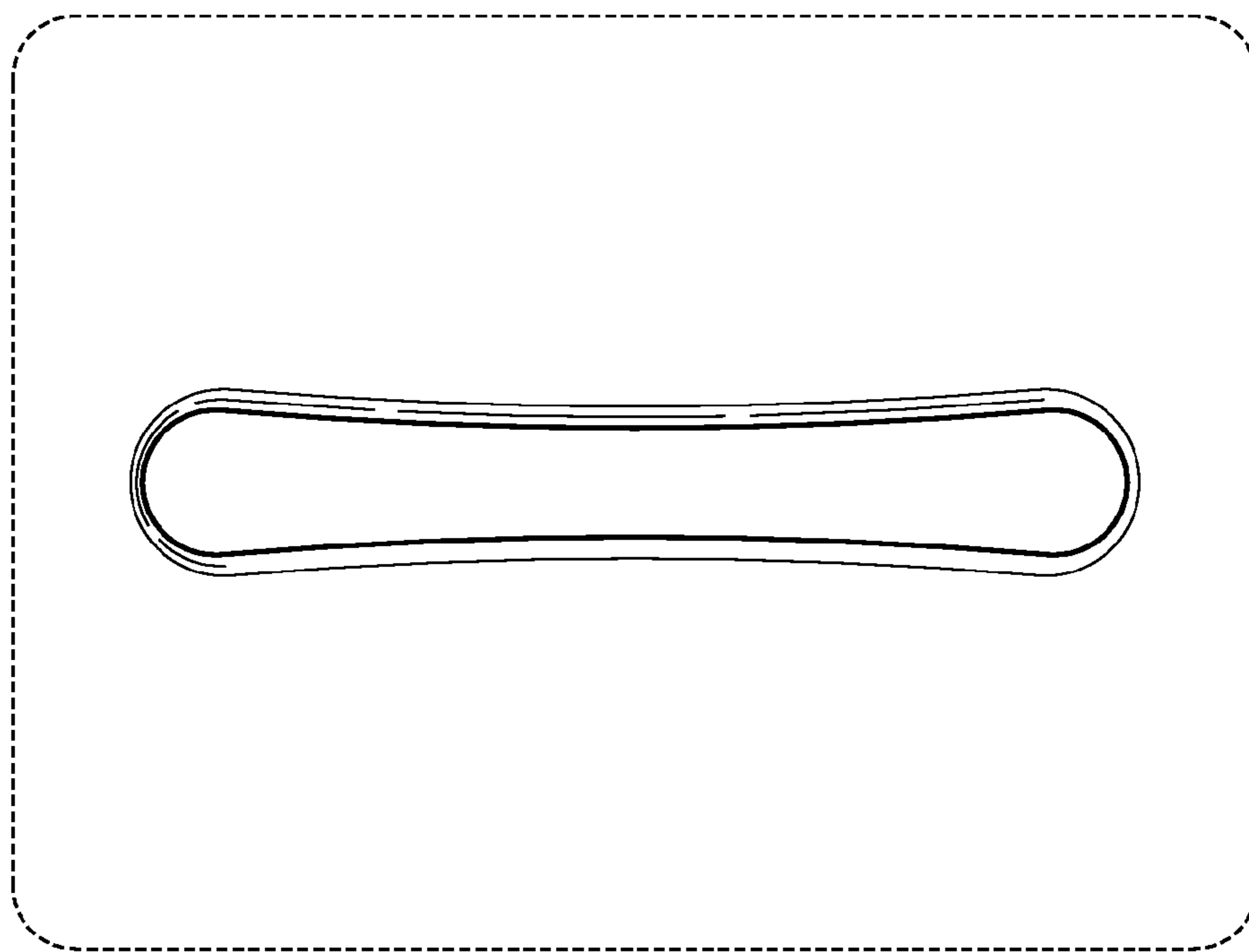


Fig. 2



Fig. 3

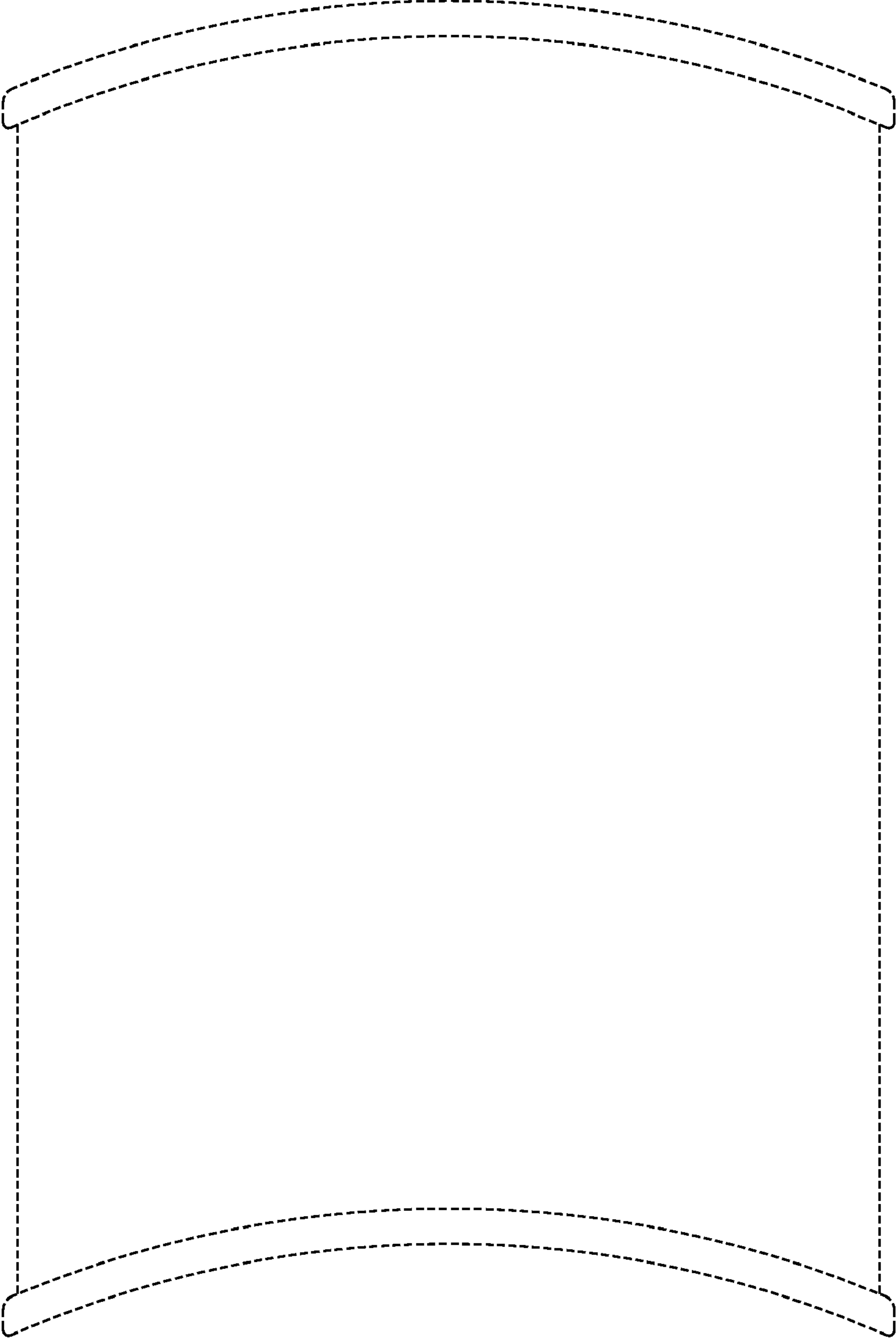


Fig. 4

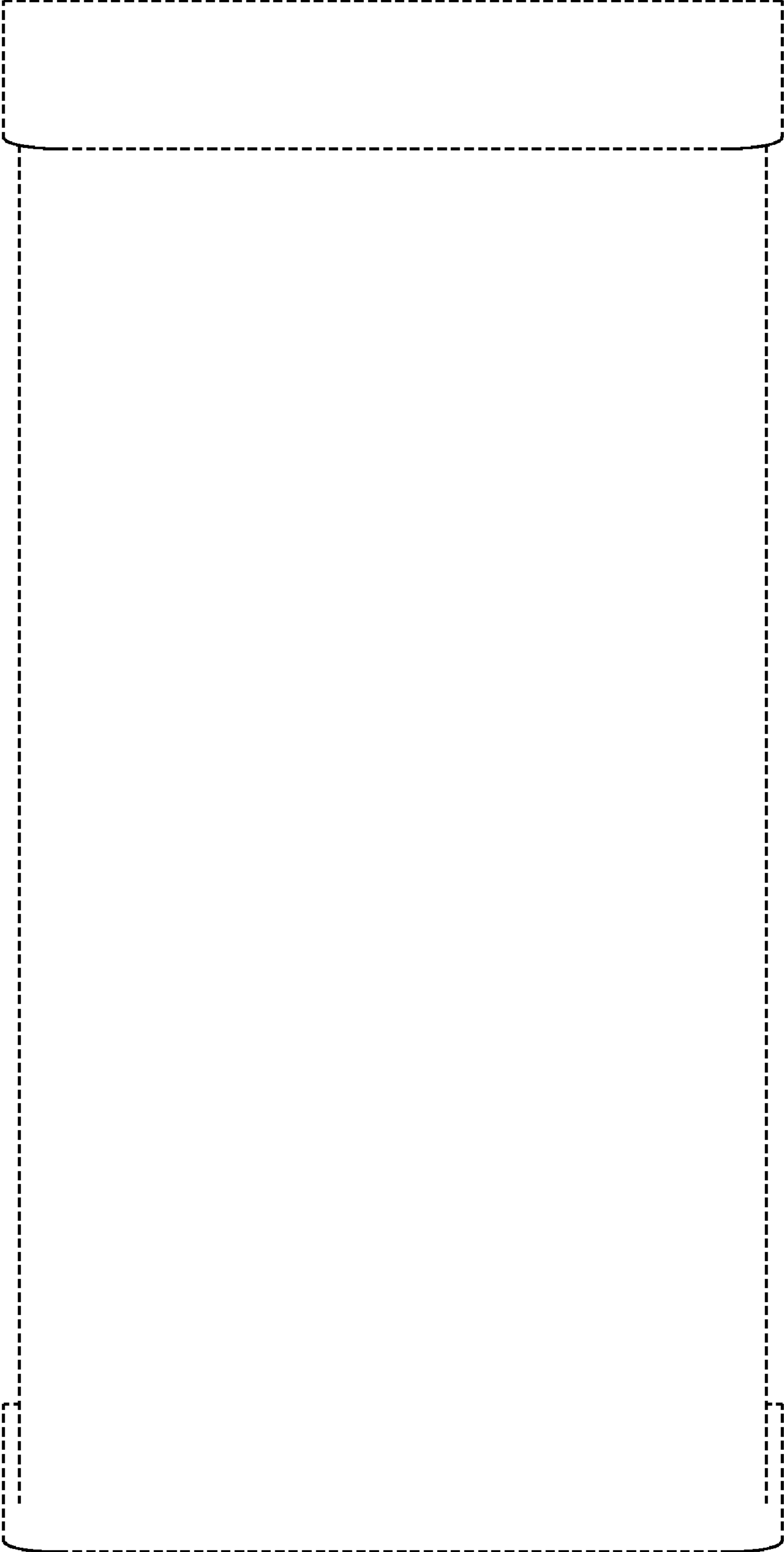


Fig. 5

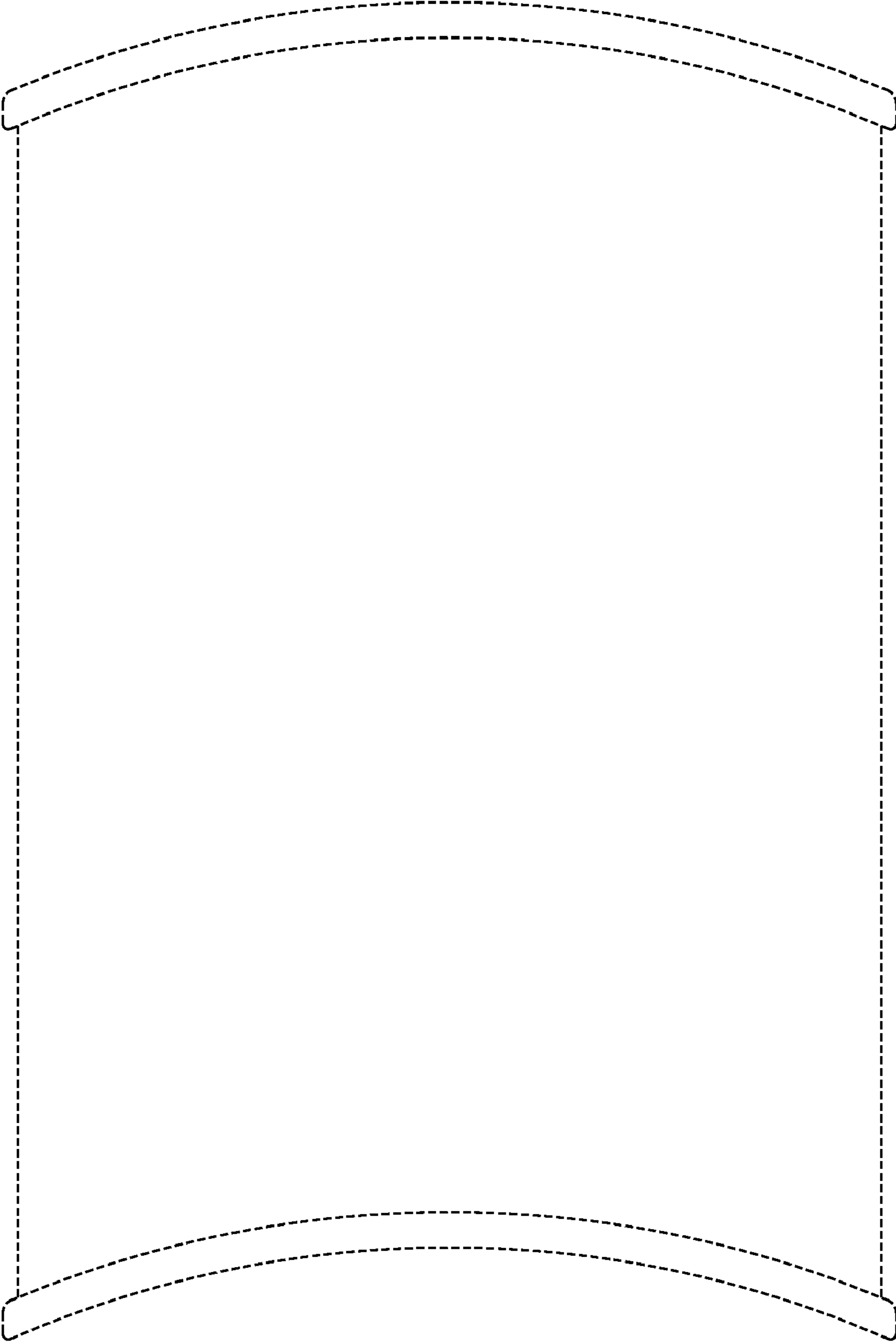


Fig. 6

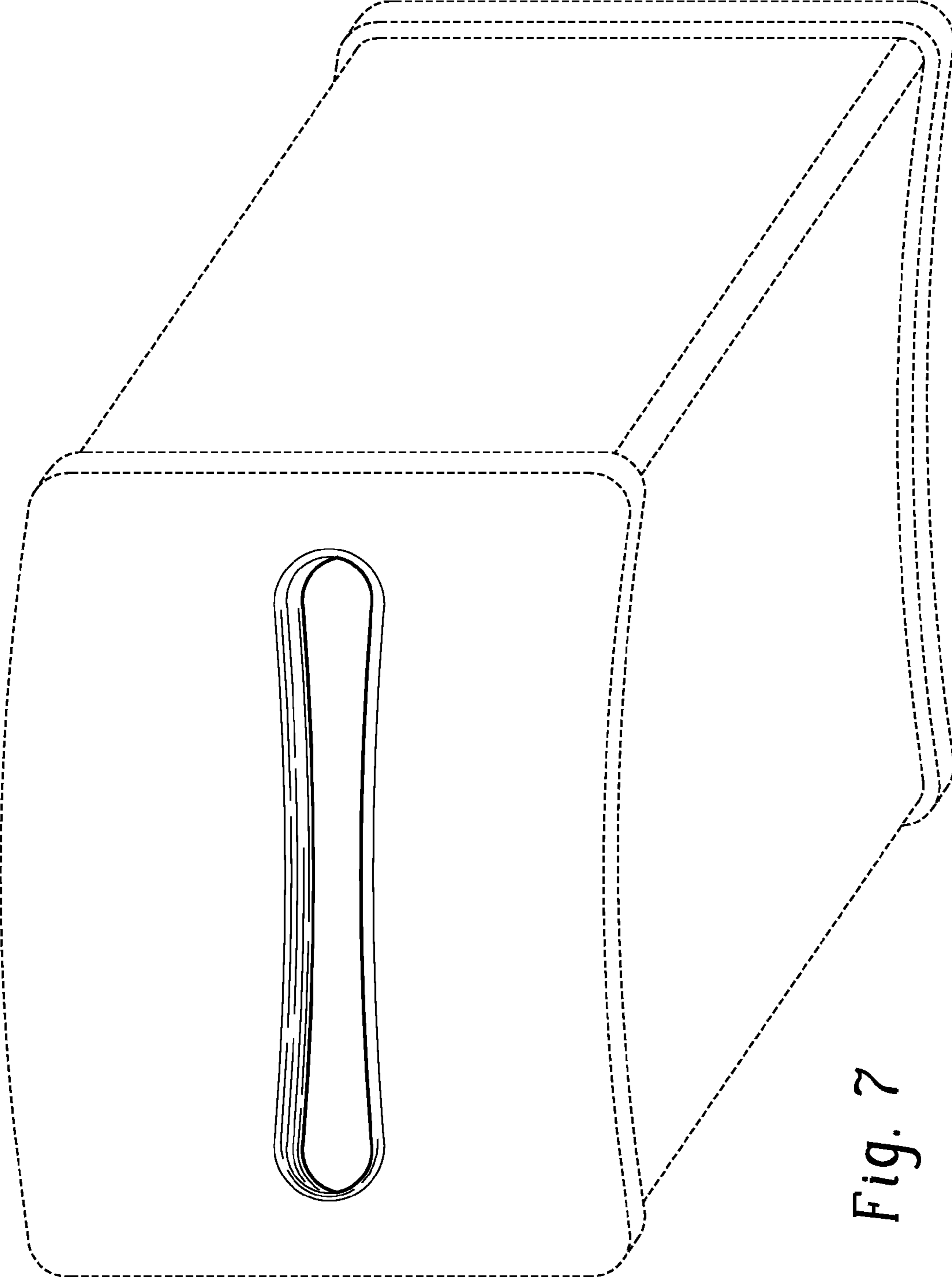


Fig. 7