



US00D604995S

(12) **United States Design Patent**
Cepero

(10) **Patent No.:** **US D604,995 S**

(45) **Date of Patent:** **** Dec. 1, 2009**

(54) **BOTTLE ACCESSORY**

D489,229 S * 5/2004 Yamane D7/625
D493,676 S * 8/2004 Cohen et al. D7/625

(76) Inventor: **Oscar A. Cepero**, 6488 SW. 25 St.,
Miami, FL (US) 33155

* cited by examiner

(**) Term: **14 Years**

Primary Examiner—Ian Simmons

Assistant Examiner—Dana L Sipos

(21) Appl. No.: **29/319,745**

(74) *Attorney, Agent, or Firm*—Albert Bordas, P.A.

(22) Filed: **Jun. 13, 2008**

(57) **CLAIM**

(51) **LOC (9) Cl.** **07-06**

The ornamental design for a bottle accessory, as shown and described.

(52) **U.S. Cl.** **D7/625**

(58) **Field of Classification Search** D7/590,
D7/601–602, 606–608, 619.1, 619.2, 622,
D7/624.1, 624.2, 625, 628, 388, 396.1, 396.2;
D9/455; 220/694, 703, 732, 737, 738, 739,
220/741–742, 903

DESCRIPTION

See application file for complete search history.

FIG. 1 is a top plan view of a bottle accessory;
FIG. 2 is a front elevational view thereof;
FIG. 3 is a bottom elevational view thereof;
FIG. 4 is a left elevational view thereof;
FIG. 5 is a rear elevational view thereof;
FIG. 6 is a right elevational view thereof; and,
FIG. 7 is an isometric view thereof, showing my design.

(56) **References Cited**

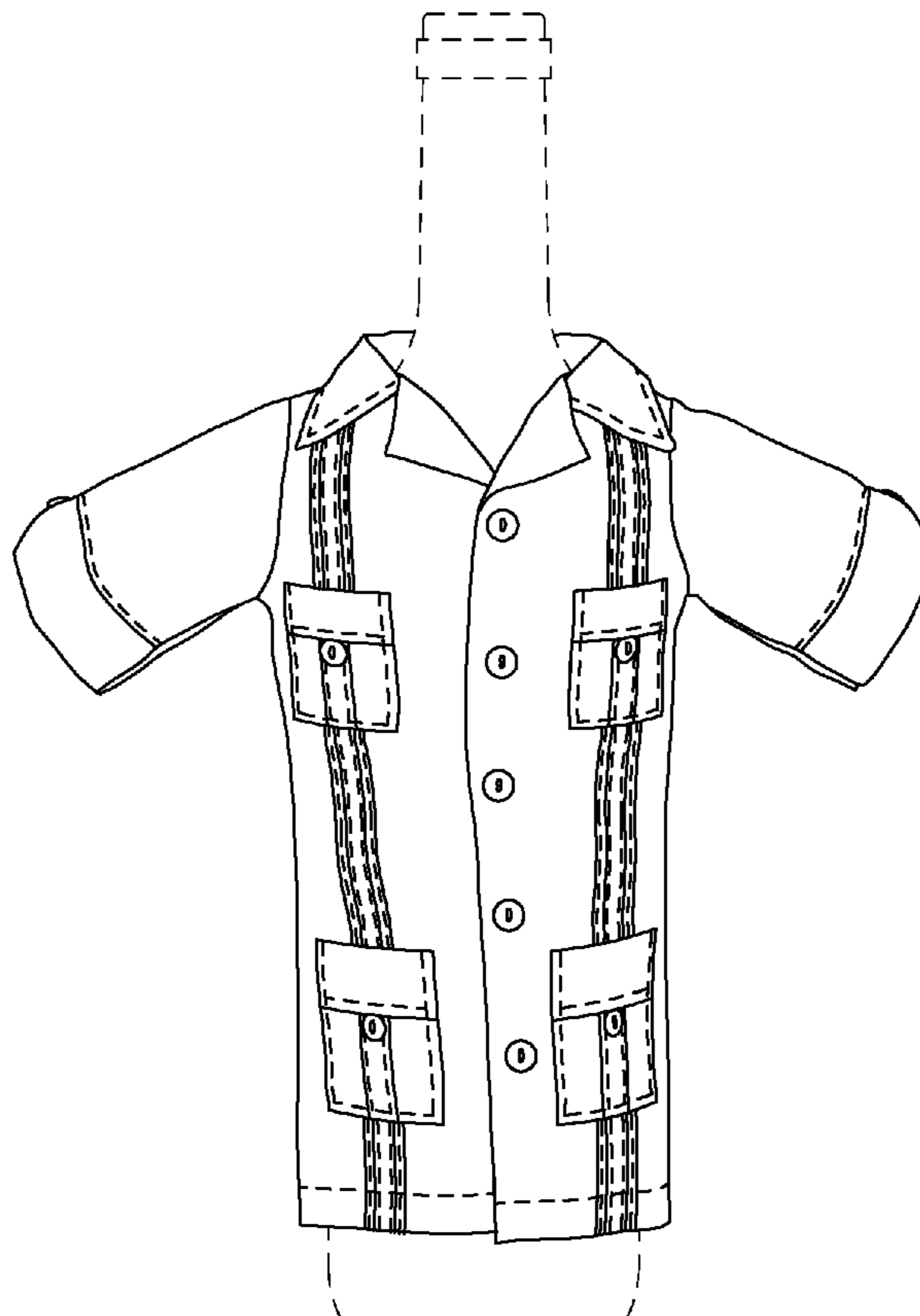
U.S. PATENT DOCUMENTS

4,867,214 A * 9/1989 Fuller 428/35.8
D334,889 S * 4/1993 Condemi et al. D7/624.3
D368,000 S * 3/1996 Mazza et al. D7/625
D378,195 S * 2/1997 Bird D7/624.2
D378,977 S * 4/1997 Lewis D7/624.3
D426,113 S * 6/2000 Webb et al. D7/625
D480,609 S * 10/2003 Hicks et al. D7/625
D482,243 S * 11/2003 Yamane D7/625
D482,244 S * 11/2003 Yamane D7/625

The broken lines in the drawings showing the bottle illustrate environmental structure and form no part of the claimed design.

The broken lines showing the stitching on the claimed bottle accessory are also not included in the claimed design.

1 Claim, 3 Drawing Sheets



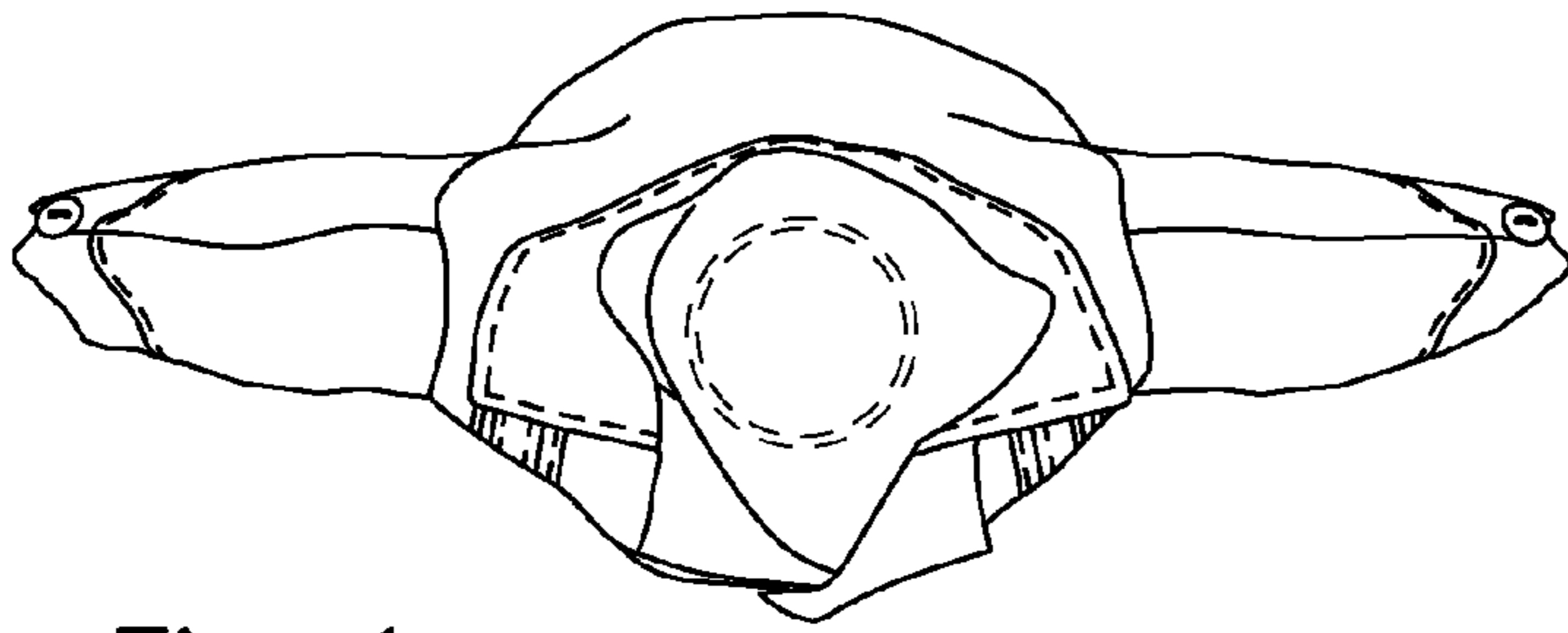


Fig. 1

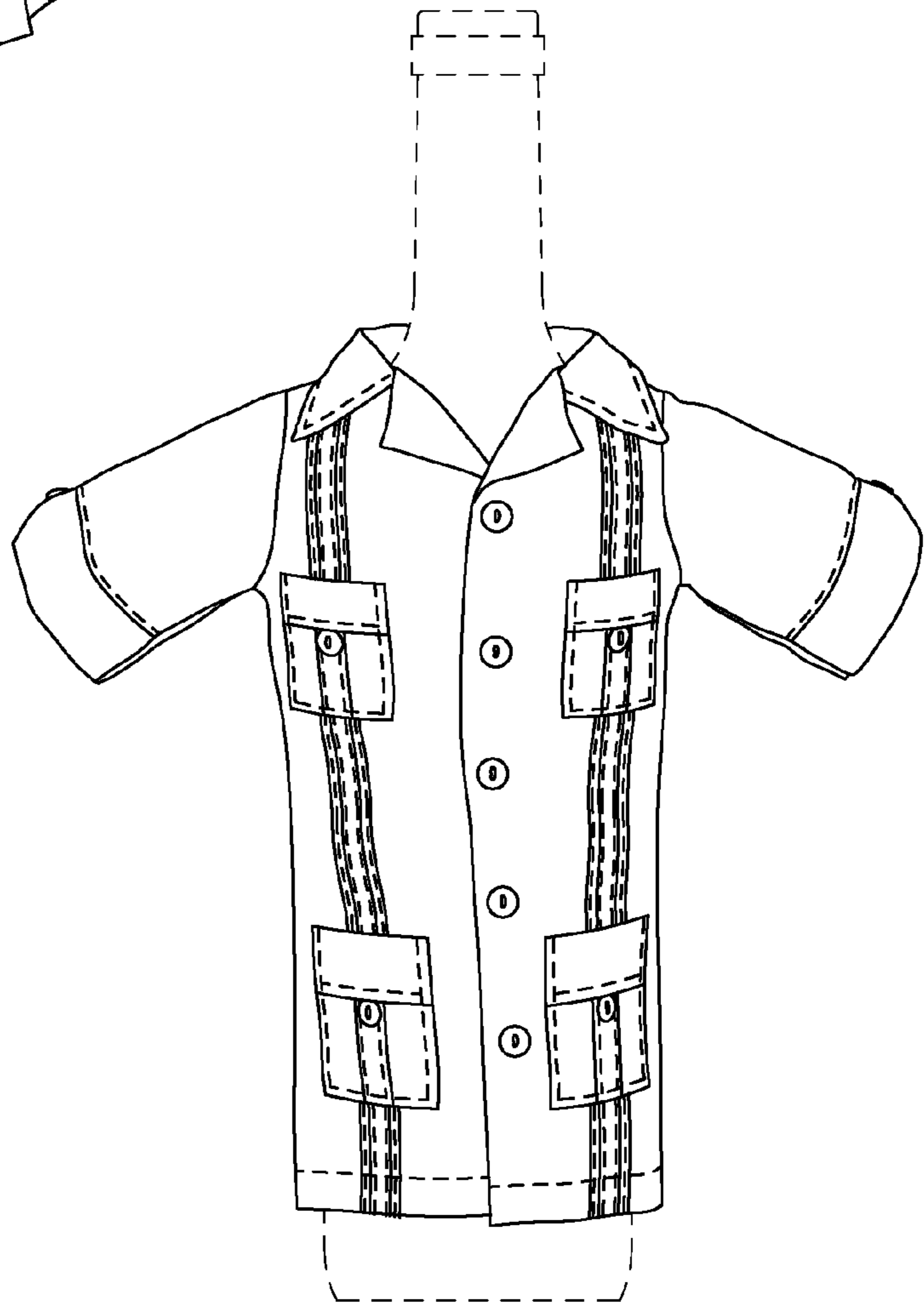


Fig. 2

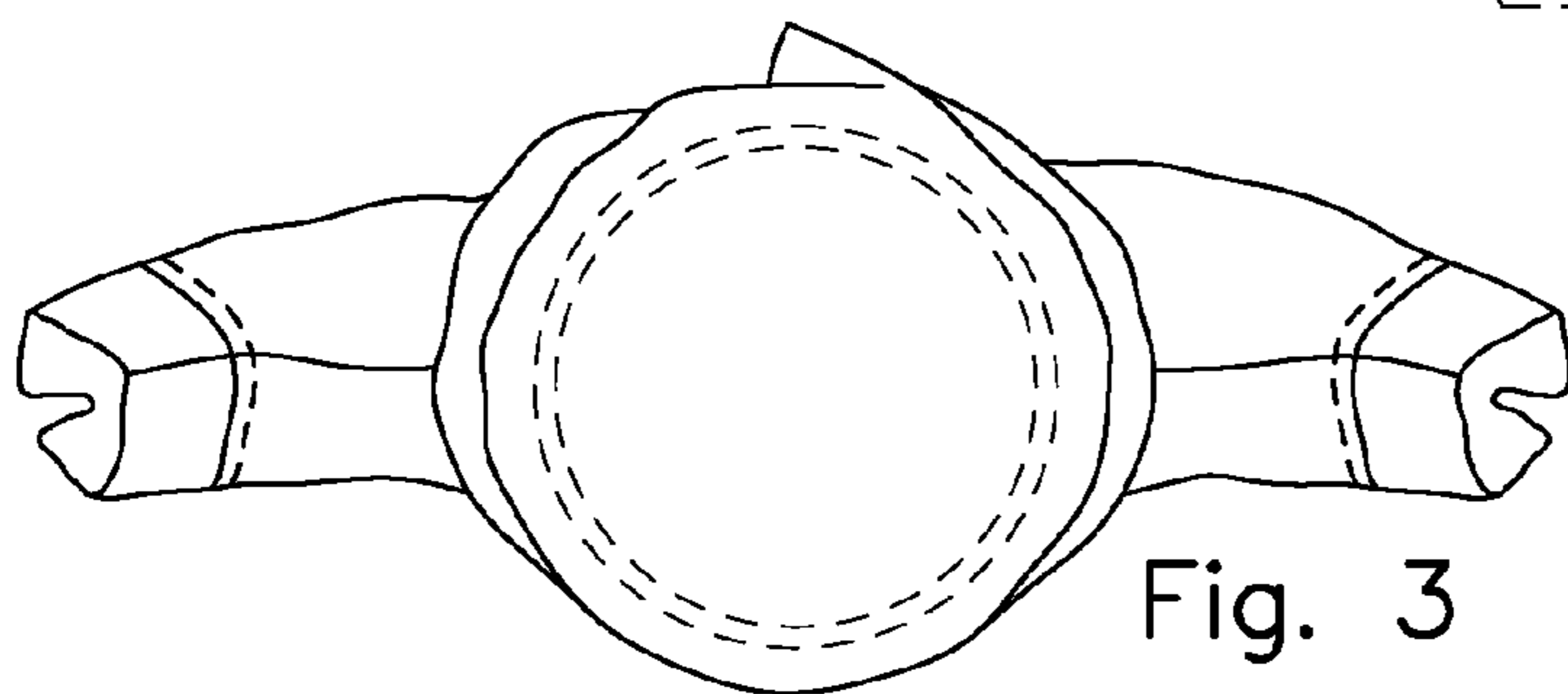


Fig. 3

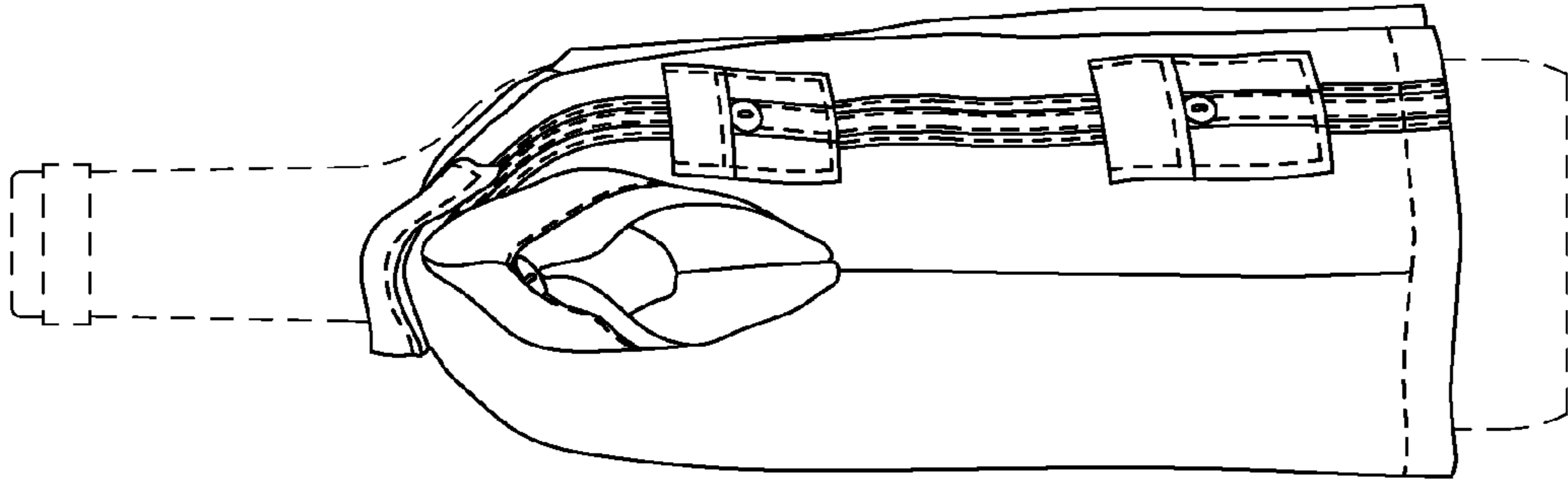


Fig. 4

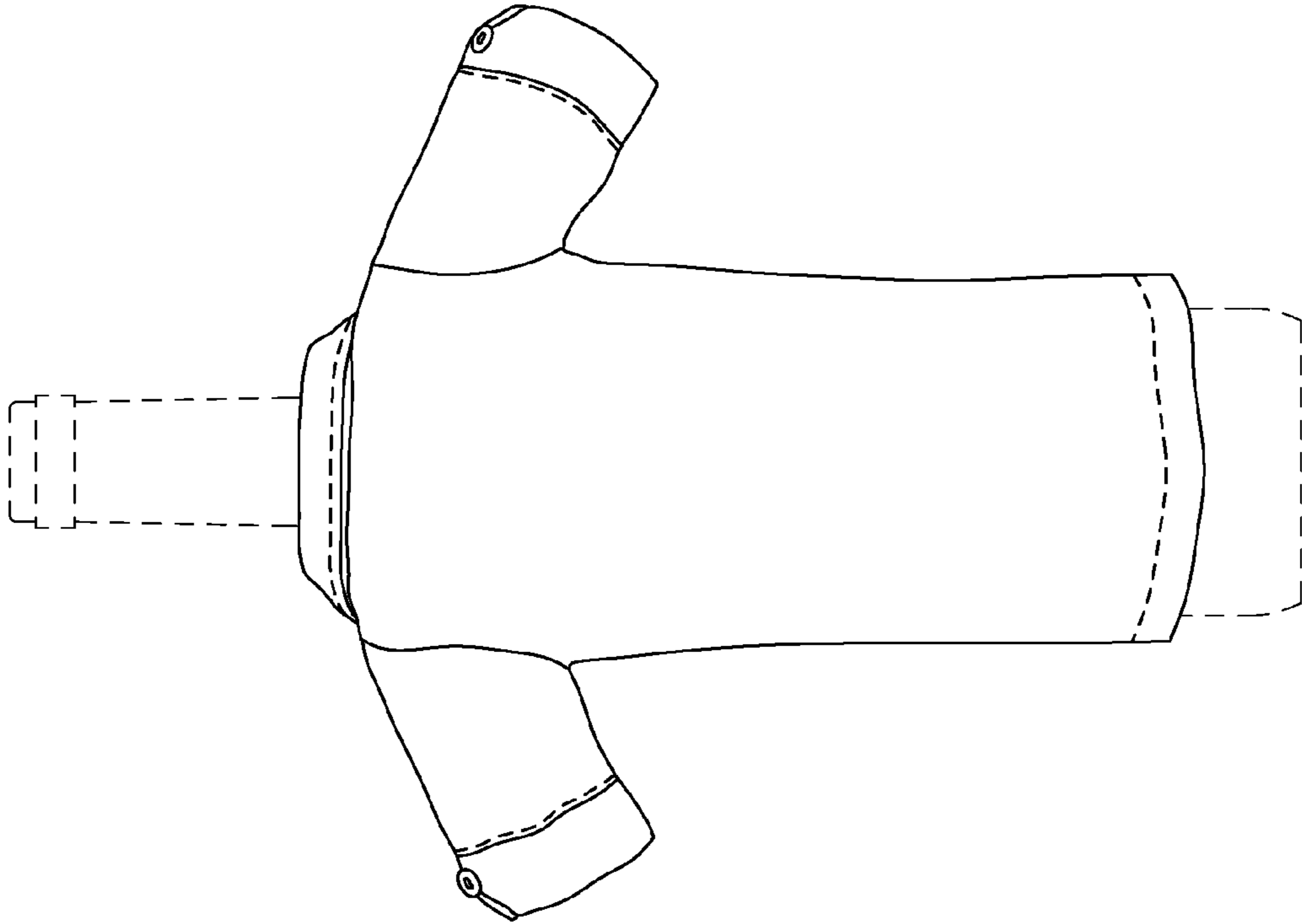


Fig. 5

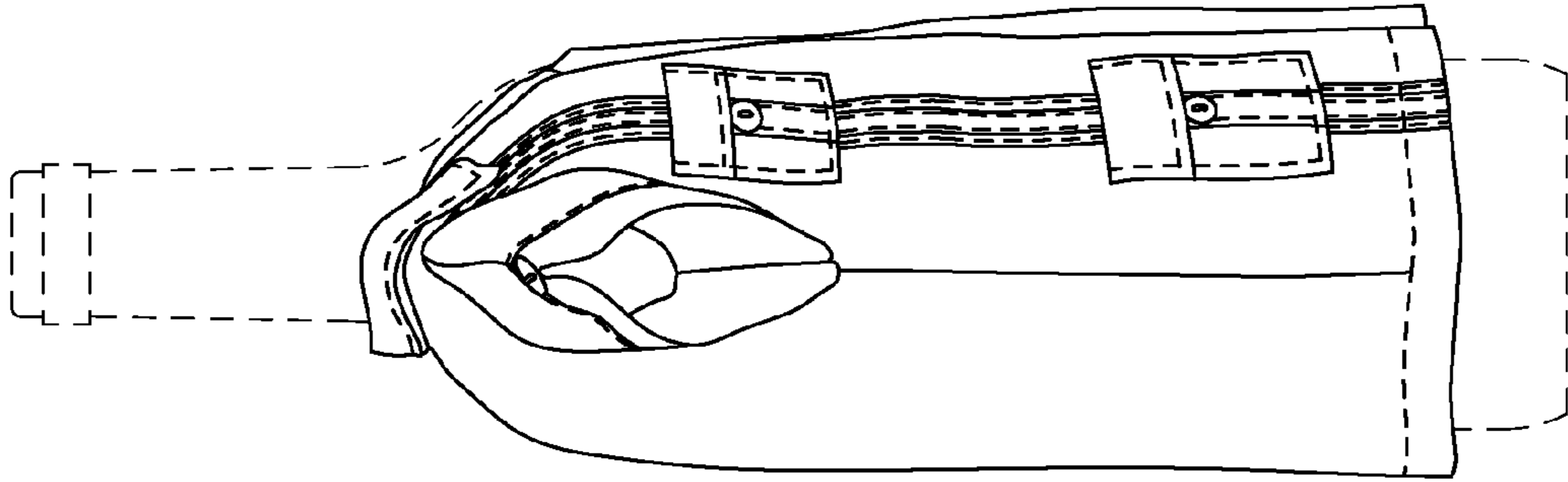


Fig. 6

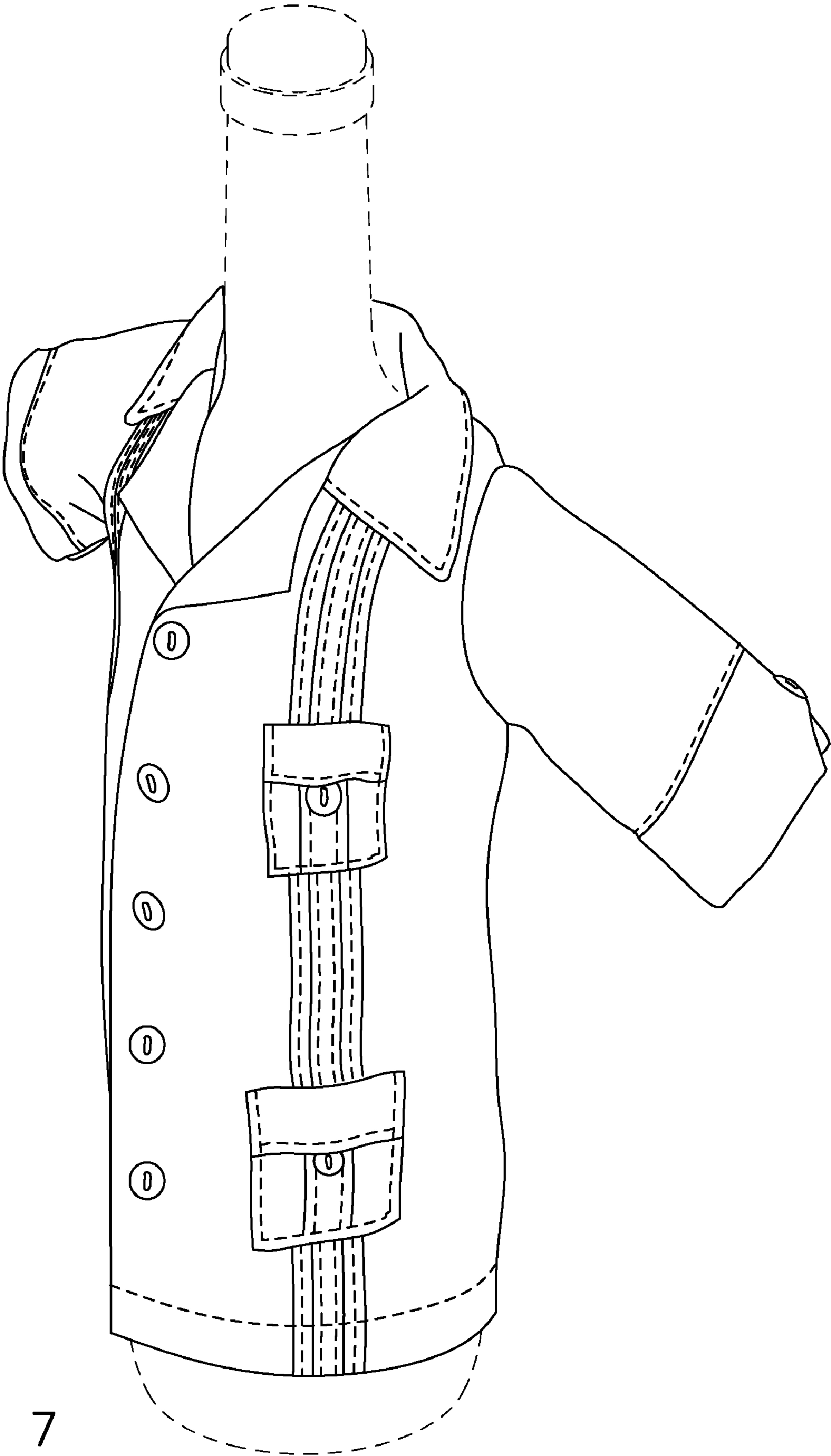


Fig. 7