



US00D604991S

(12) **United States Design Patent**
Ablo

(10) **Patent No.:** **US D604,991 S**
(45) **Date of Patent:** **** Dec. 1, 2009**

(54) **PORTABLE LIQUID FLASK**
(75) Inventor: **Famia E. Ablo**, Orlando, FL (US)
(73) Assignee: **Dart Industries Inc.**, Orlando, FL (US)
(**) Term: **14 Years**
(21) Appl. No.: **29/310,290**
(22) Filed: **Aug. 7, 2008**
(51) **LOC (9) Cl.** **07-01**
(52) **U.S. Cl.** **D7/510; D7/511; D7/300.1**
(58) **Field of Classification Search** D7/515,
D7/514, 510, 511, 509, 523, 900, 301, 302,
D7/392.1, 608, 300.1; 215/388; 220/703,
220/705, 592.16; D22/116; D9/680, 446,
D9/503, 542
See application file for complete search history.

D482,972 S 12/2003 Young et al.
D496,559 S * 9/2004 Bodum D7/510
D498,419 S 11/2004 Martin
D501,133 S 1/2005 Schuller et al.
D502,844 S * 3/2005 Rohe D7/510
D504,614 S 5/2005 Schuller et al.
D513,185 S 12/2005 Ruiz
D519,376 S 4/2006 Ames
D528,861 S * 9/2006 Herrera D7/510
D528,910 S 9/2006 Kingsley
D533,064 S 12/2006 Glynn et al.
D537,676 S * 3/2007 Kingsley D7/510
D538,597 S * 3/2007 Kim D7/510
7,234,606 B2 * 6/2007 Kraus et al. 215/11.1
D564,840 S * 3/2008 Williams D7/510
D572,078 S * 7/2008 Bhavnani D7/392.1
7,516,862 B2 * 4/2009 McDonough 215/229

* cited by examiner

Primary Examiner—Marianne Pandozzi
(74) *Attorney, Agent, or Firm*—John A. Doninger

(56) **References Cited**
U.S. PATENT DOCUMENTS

D78,465 S 5/1929 Groninger
D85,005 S 9/1931 Rosenberger
D186,424 S * 10/1959 Oberlin et al. D7/510
D249,111 S * 8/1978 Geyer D7/523
D285,533 S 9/1986 Berish et al.
D342,449 S 12/1993 Mattheis
D358,296 S * 5/1995 Garneau D7/510
D361,922 S * 9/1995 Van Dyk D7/510
5,590,542 A * 1/1997 Wang 62/457.3
D382,811 S 8/1997 Kotyuk et al.
D398,519 S 9/1998 Keene
D428,339 S 7/2000 Johnston et al.
D436,800 S * 1/2001 Nowak et al. D7/392.1
D447,693 S 9/2001 Warner et al.
D448,244 S * 9/2001 Thomas D7/510
D451,806 S 12/2001 Stalder
D472,148 S 3/2003 Dowd
D482,571 S 11/2003 Leinenweber

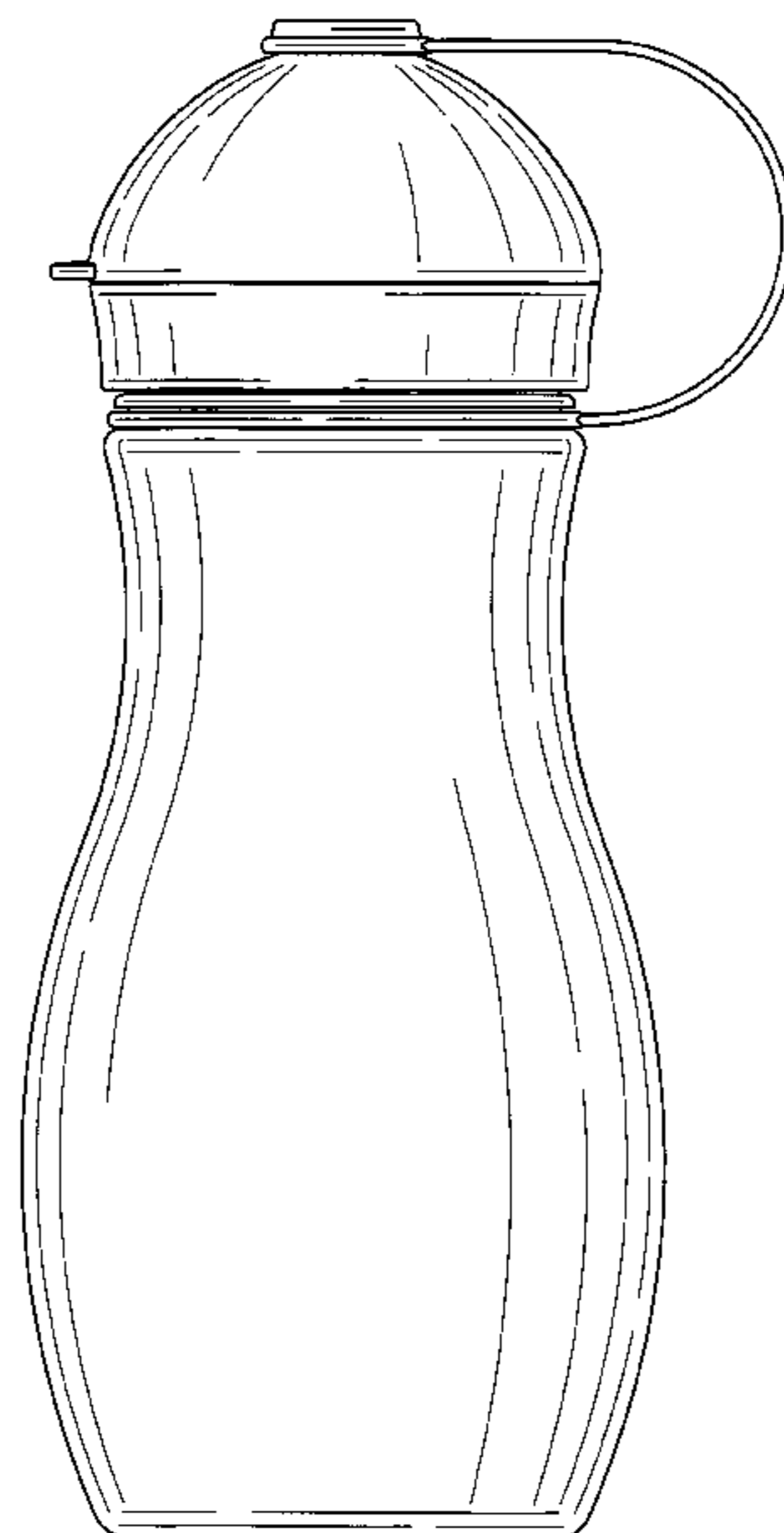
(57) **CLAIM**

The ornamental design for a portable liquid flask, as shown and described.

DESCRIPTION

FIG. 1 is a top, side and front perspective view of a portable liquid flask showing my new design;
FIG. 2 is a front elevation view, the rear elevation being a mirror image thereof;
FIG. 3 is a right side elevation view thereof;
FIG. 4 is a left side elevation view thereof;
FIG. 5 is a top plan view thereof;
FIG. 6 is a bottom plan view thereof; and,
FIG. 7 is a bottom, side and rear perspective view thereof.

1 Claim, 6 Drawing Sheets



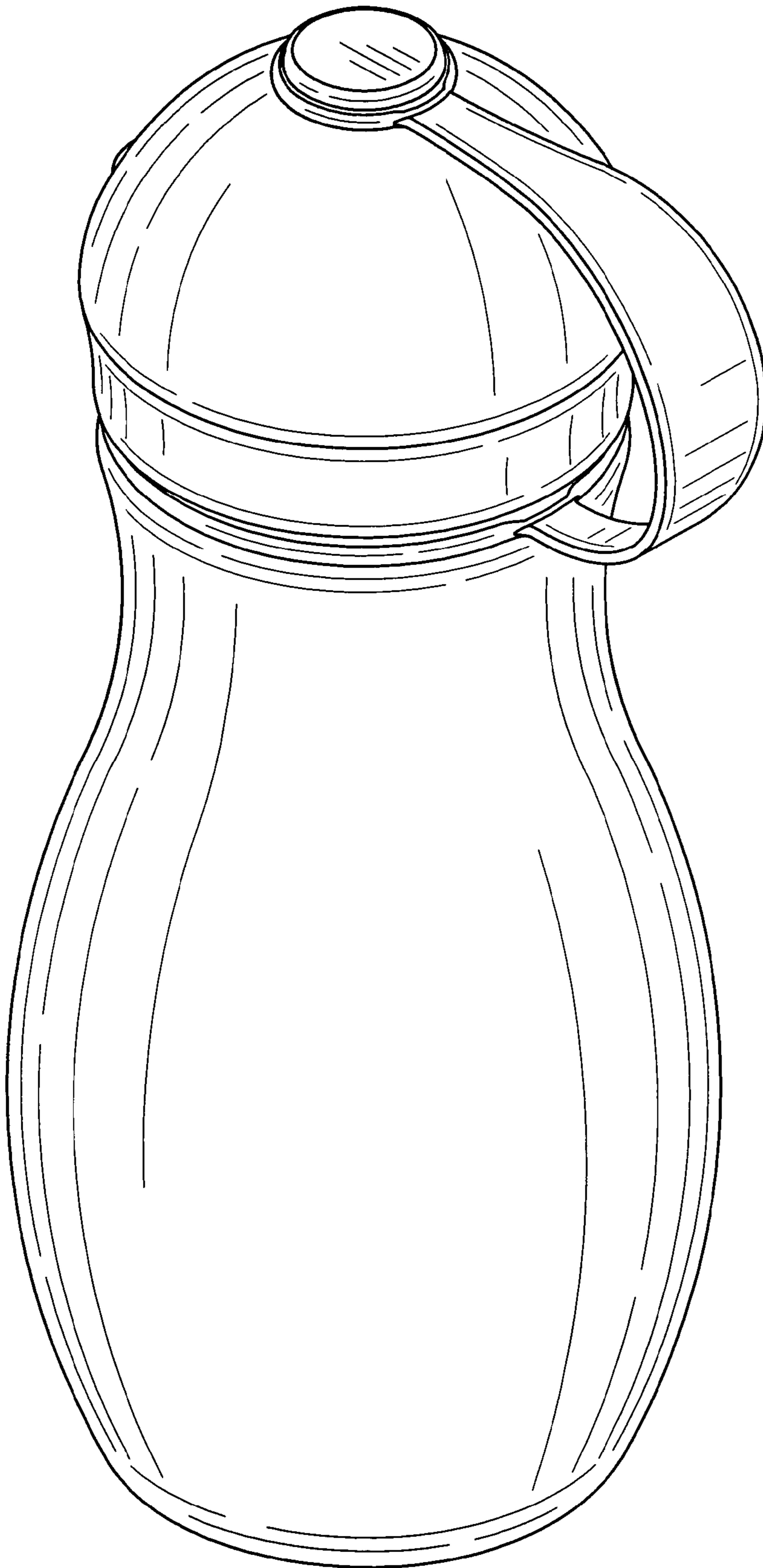


FIG. 1

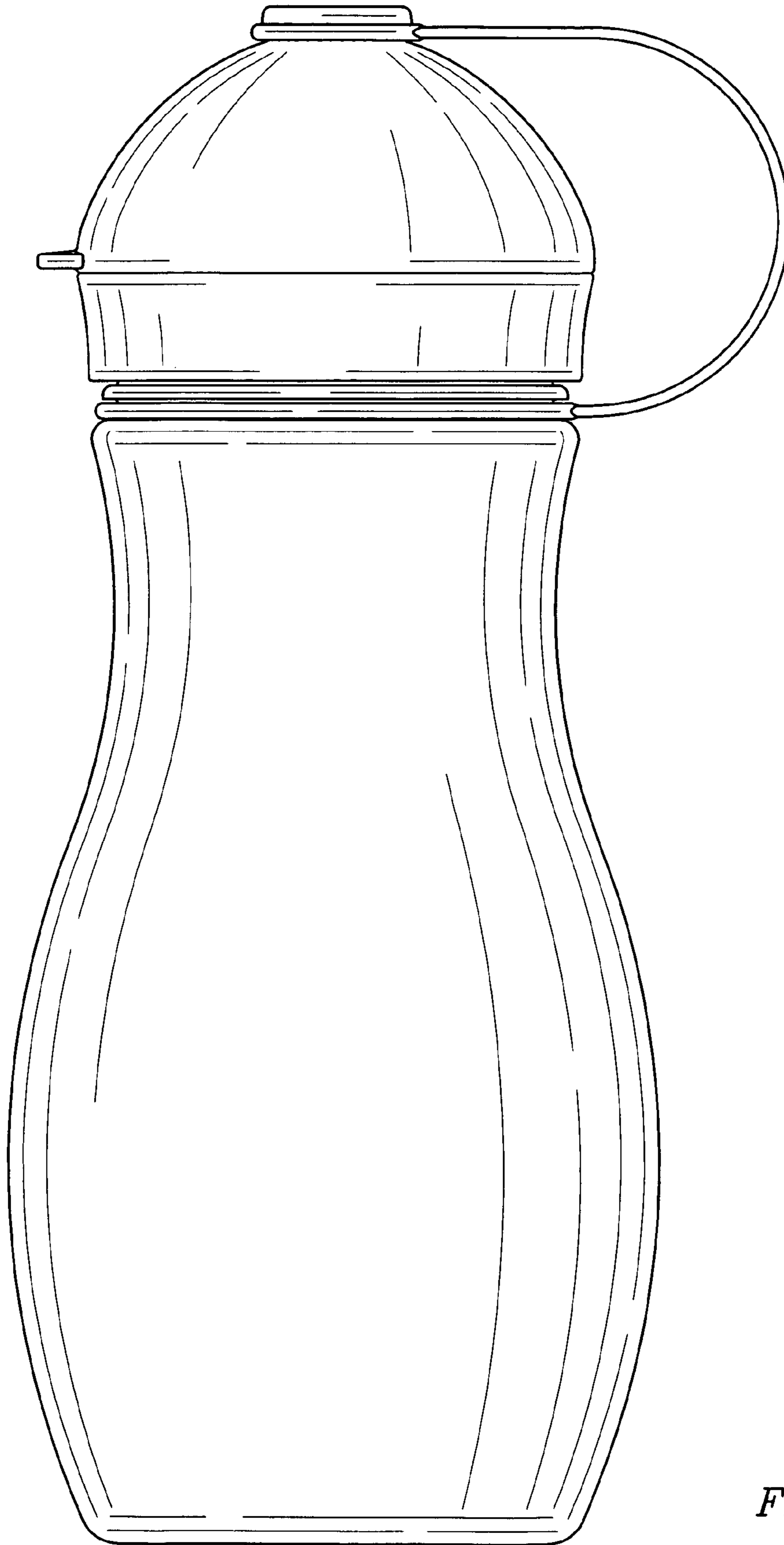


FIG. 2

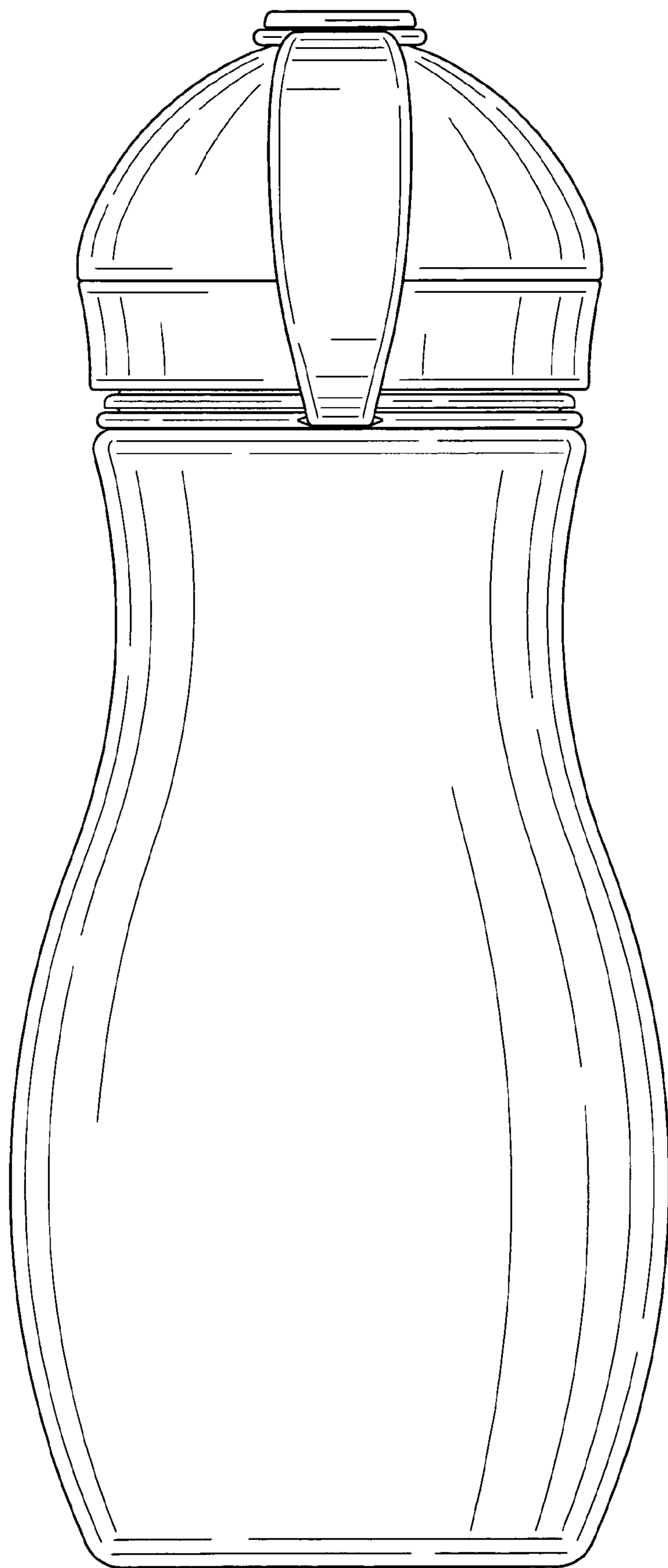


FIG. 3

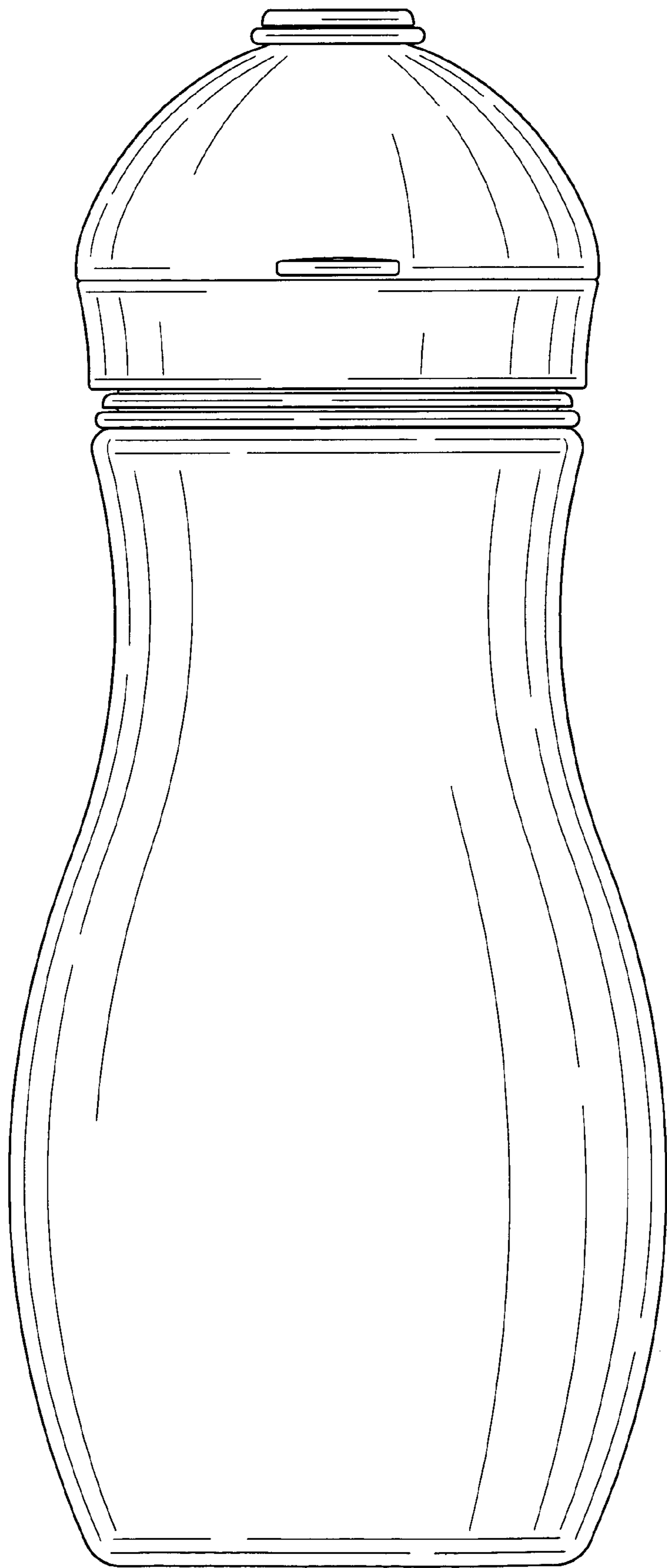


FIG. 4

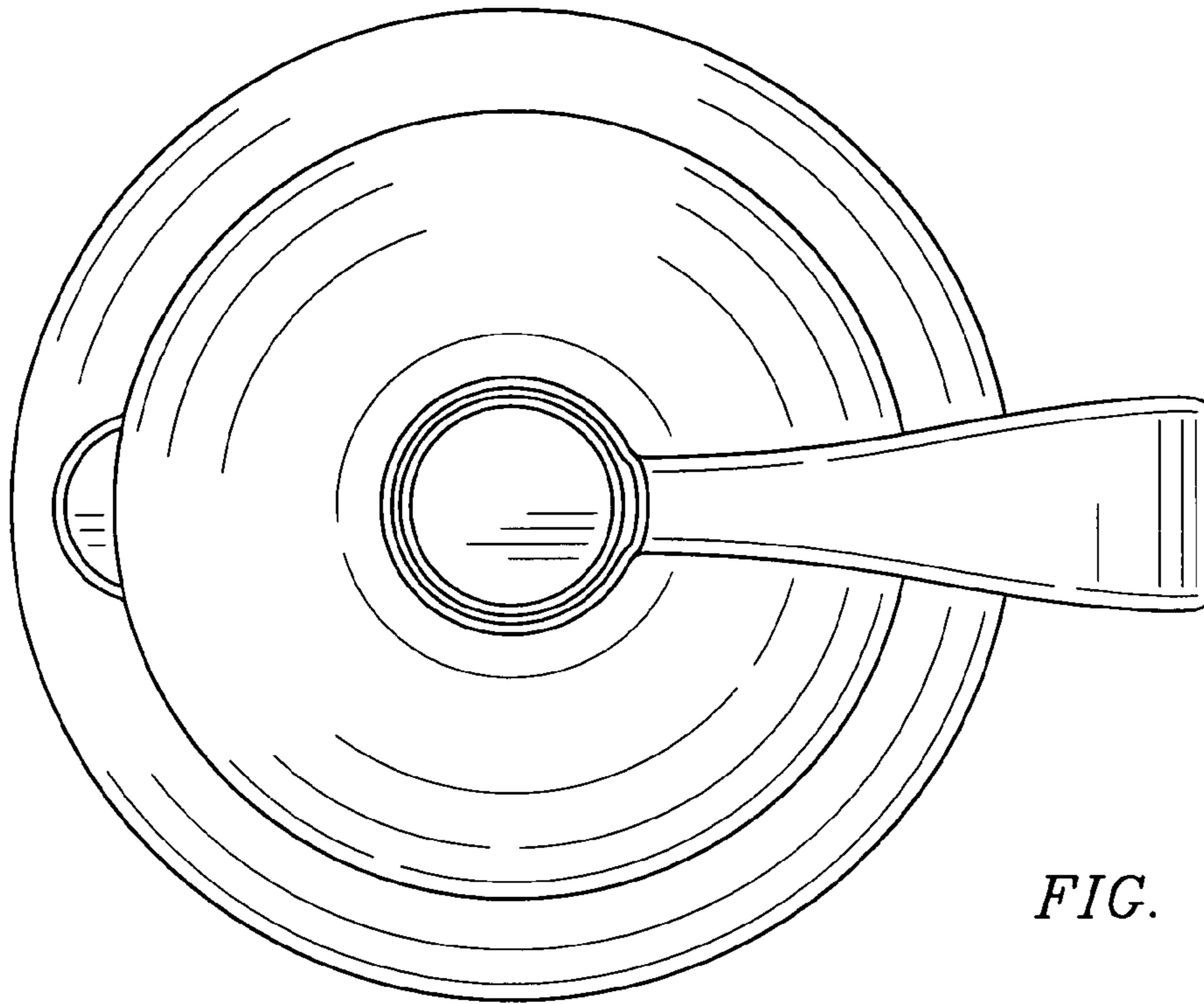


FIG. 5

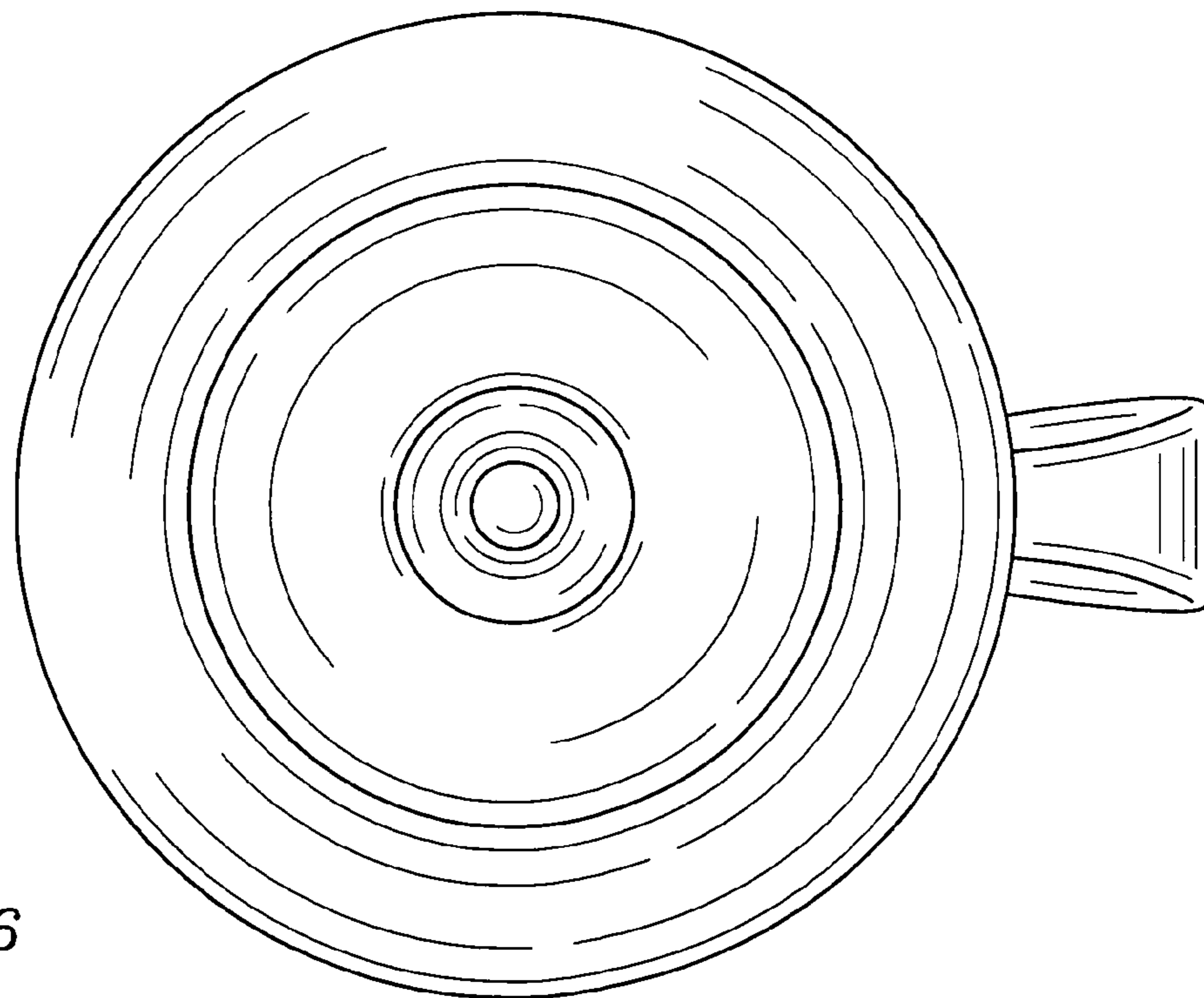


FIG. 6

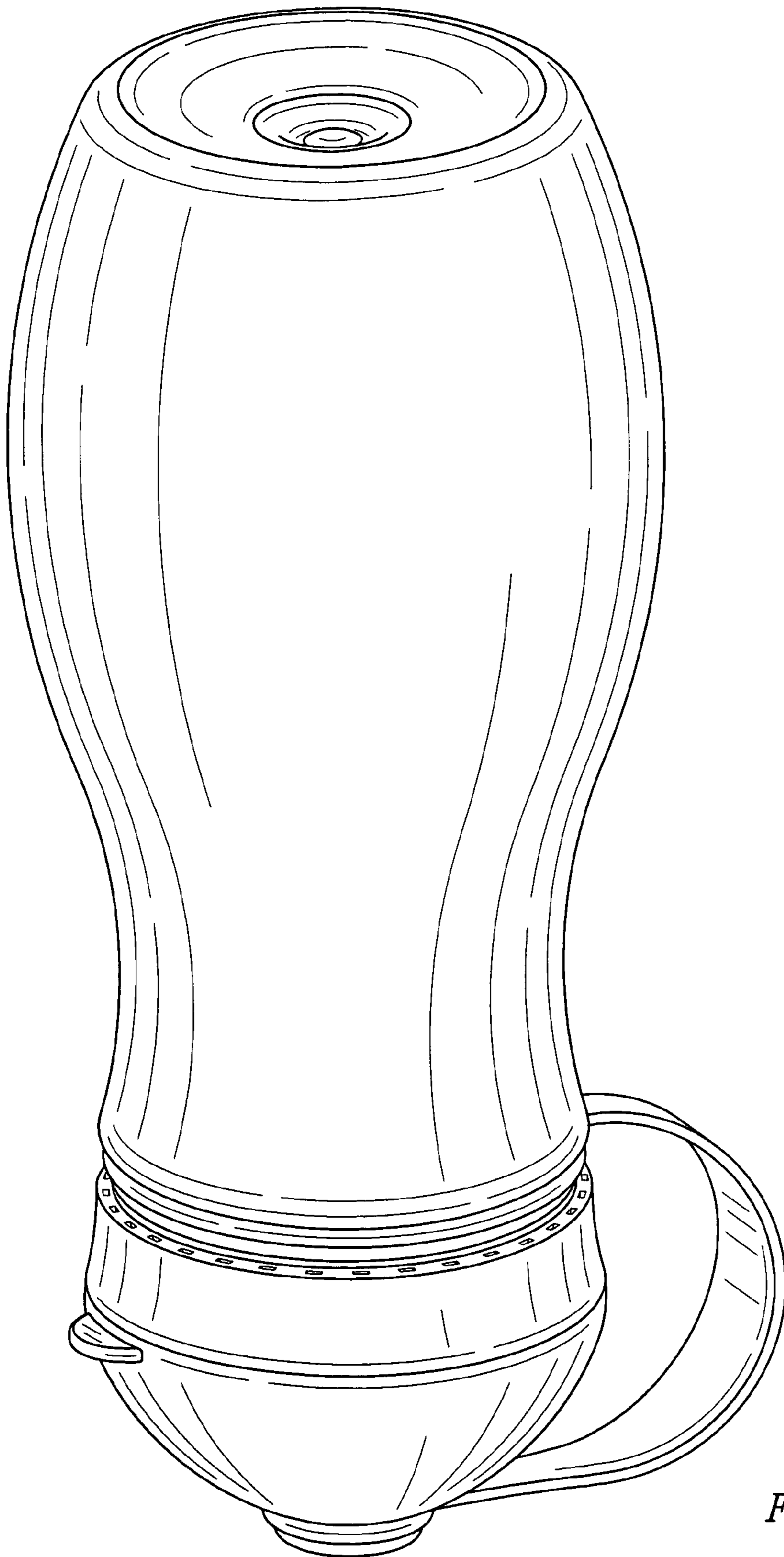


FIG. 7