



US00D604989S

(12) **United States Design Patent**
Chen et al.

(10) **Patent No.:** **US D604,989 S**
(45) **Date of Patent:** **** Dec. 1, 2009**

(54) **MICROWAVE STEAMER BASE**
(75) Inventors: **Rui Yuan Chen**, Orlando, FL (US);
Jan-Hendrik de Groote, Brussels (BE);
Dimitri M. C. J. Backaert, Moorsel (BE)

(73) Assignee: **Dart Industries Inc.**, Orlando, FL (US)

(**) Term: **14 Years**

(21) Appl. No.: **29/313,271**

(22) Filed: **Dec. 22, 2008**

(51) **LOC (9) Cl.** **07-02**

(52) **U.S. Cl.** **D7/360; D7/545**

(58) **Field of Classification Search** D7/543,
D7/545, 546, 549, 550.1, 553.6, 554.1, 584,
D7/586, 587, 360; 206/507, 557, 561-564;
229/407; 220/574, 659; D9/457, 759
See application file for complete search history.

(56) **References Cited**

U.S. PATENT DOCUMENTS

D231,303 S *	4/1974	Croyle	D7/545
D248,076 S *	6/1978	Christian	D7/545
D268,557 S *	4/1983	Jensen et al.	D7/545
D275,547 S	9/1984	Asti et al.		
D286,844 S *	11/1986	Daenen et al.	D7/586
D288,050 S *	2/1987	Fox et al.	D7/545
D288,649 S	3/1987	Daenen et al.		
D296,640 S *	7/1988	Miller	D7/545
D312,555 S	12/1990	Daenen et al.		
D338,807 S	8/1993	Conti		
D345,485 S	3/1994	Leung		
D367,582 S	3/1996	Desbarres		

5,558,798 A	9/1996	Tsai		
D381,553 S	7/1997	Candianides		
D383,031 S	9/1997	Cousins		
D414,375 S	9/1999	Diulus		
D420,848 S	2/2000	Neidigh		
D469,313 S *	1/2003	Thonis et al.	D7/602
D471,757 S	3/2003	Kitamura et al.		
D511,268 S	11/2005	Ryan		
D514,372 S	2/2006	Kaposi et al.		
D530,564 S	10/2006	Chiba		
D542,082 S	5/2007	Spiegel et al.		
D557,551 S	12/2007	Tetreault et al.		
D557,972 S	12/2007	Ablo		

* cited by examiner

Primary Examiner—Charles A Rademaker

(74) *Attorney, Agent, or Firm*—John A. Doninger

(57) **CLAIM**

The ornamental design for a microwave steamer base, as shown and described.

DESCRIPTION

FIG. 1 is a top, side and front perspective view of a microwave steamer base showing our new design;

FIG. 2 is a front elevation view, the rear elevation being identical thereto;

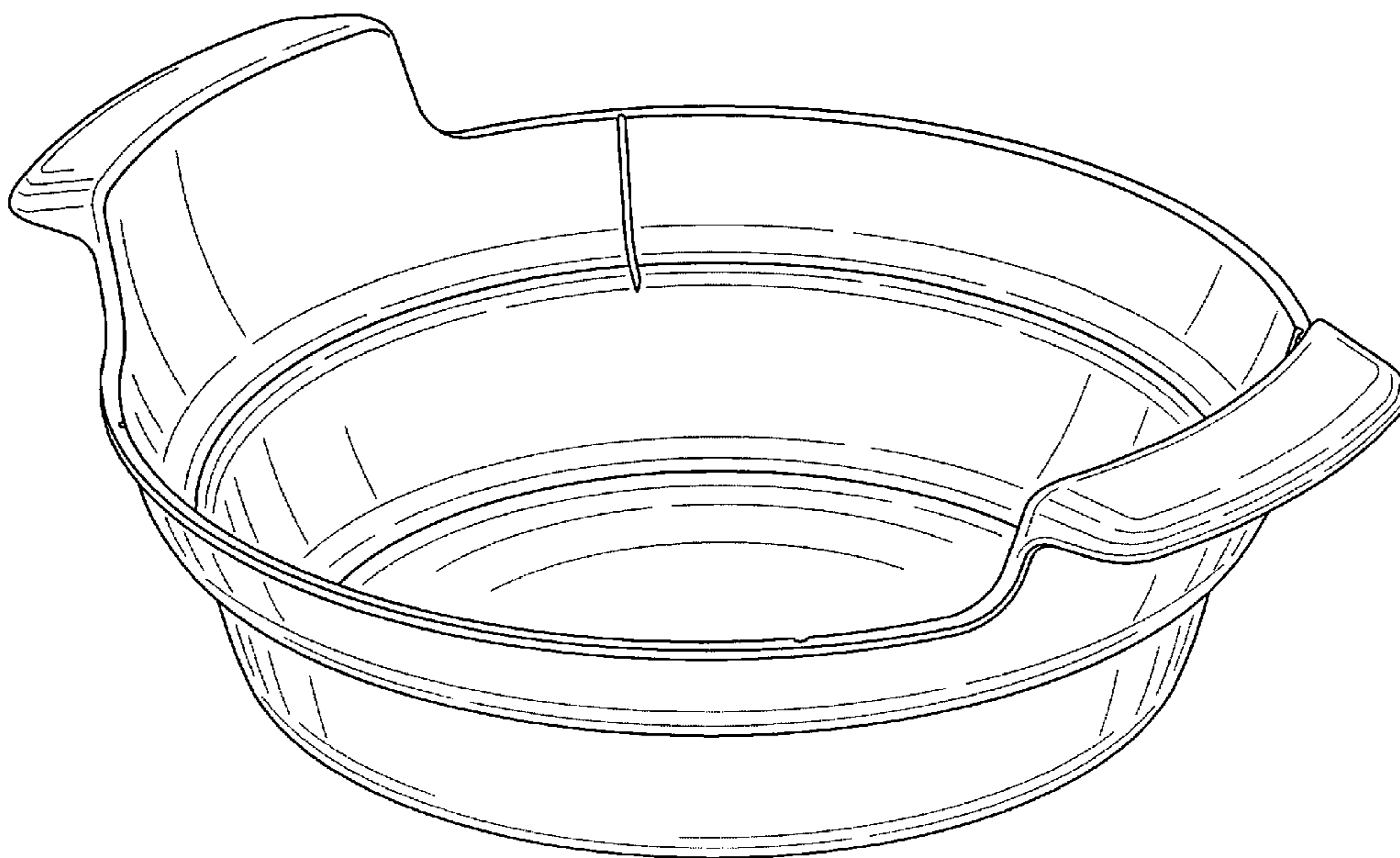
FIG. 3 is a right side elevation view, the left side elevation being identical thereto;

FIG. 4 is a top plan view thereof;

FIG. 5 is a bottom plan view thereof; and,

FIG. 6 is a bottom, side and rear perspective view thereof.

1 Claim, 5 Drawing Sheets



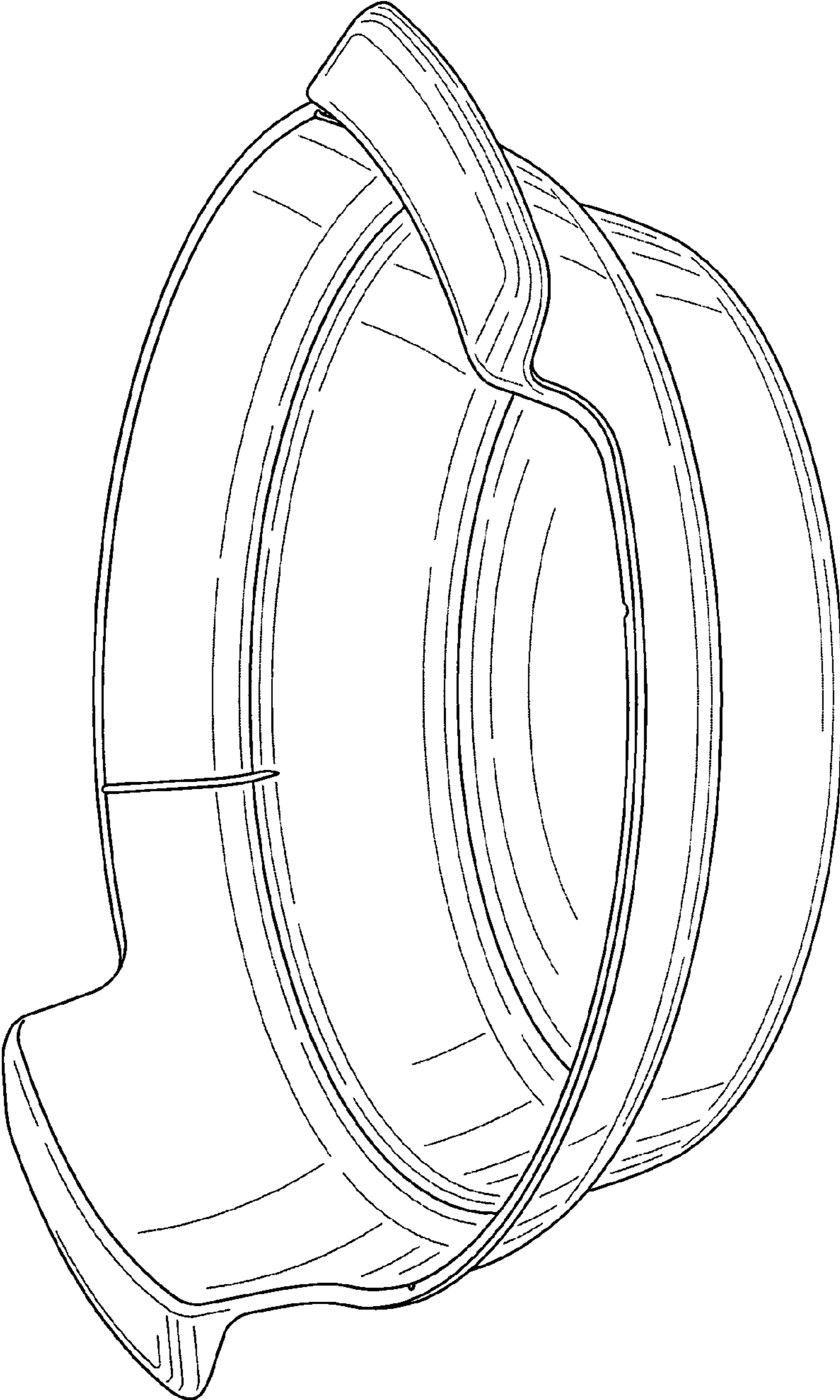


FIG. 1



FIG. 2

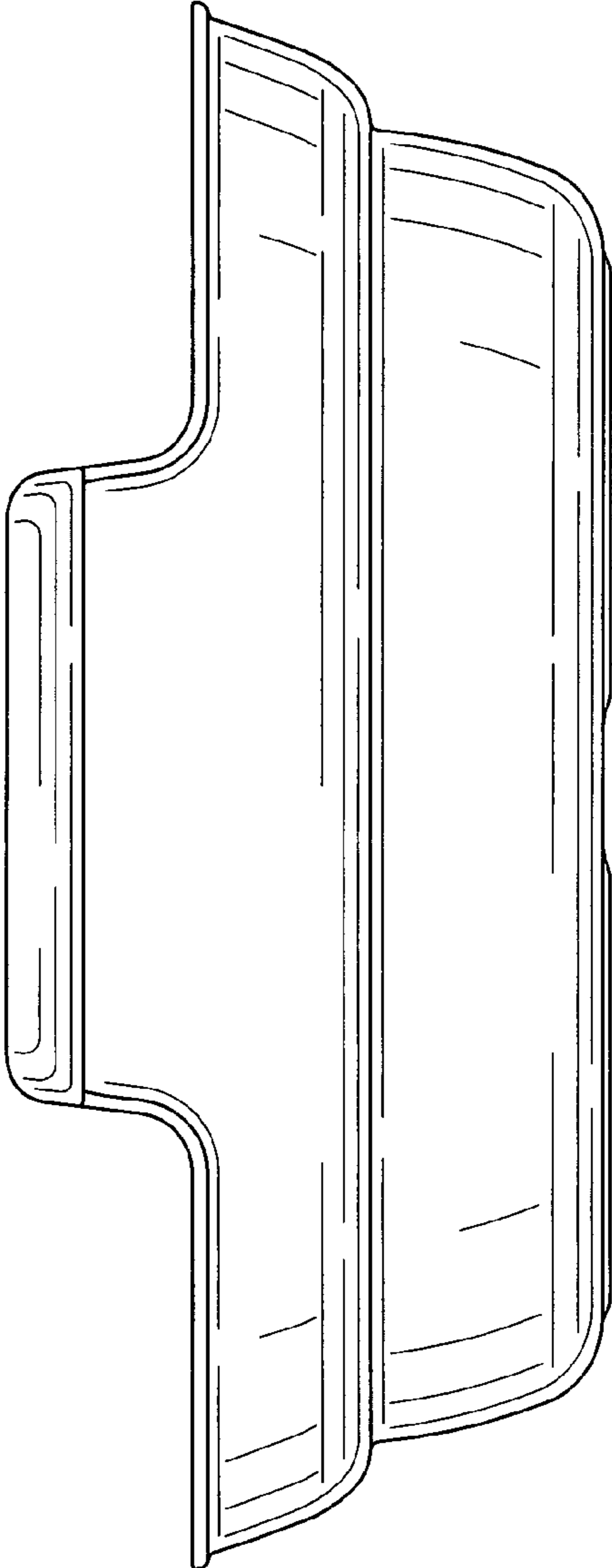


FIG. 3

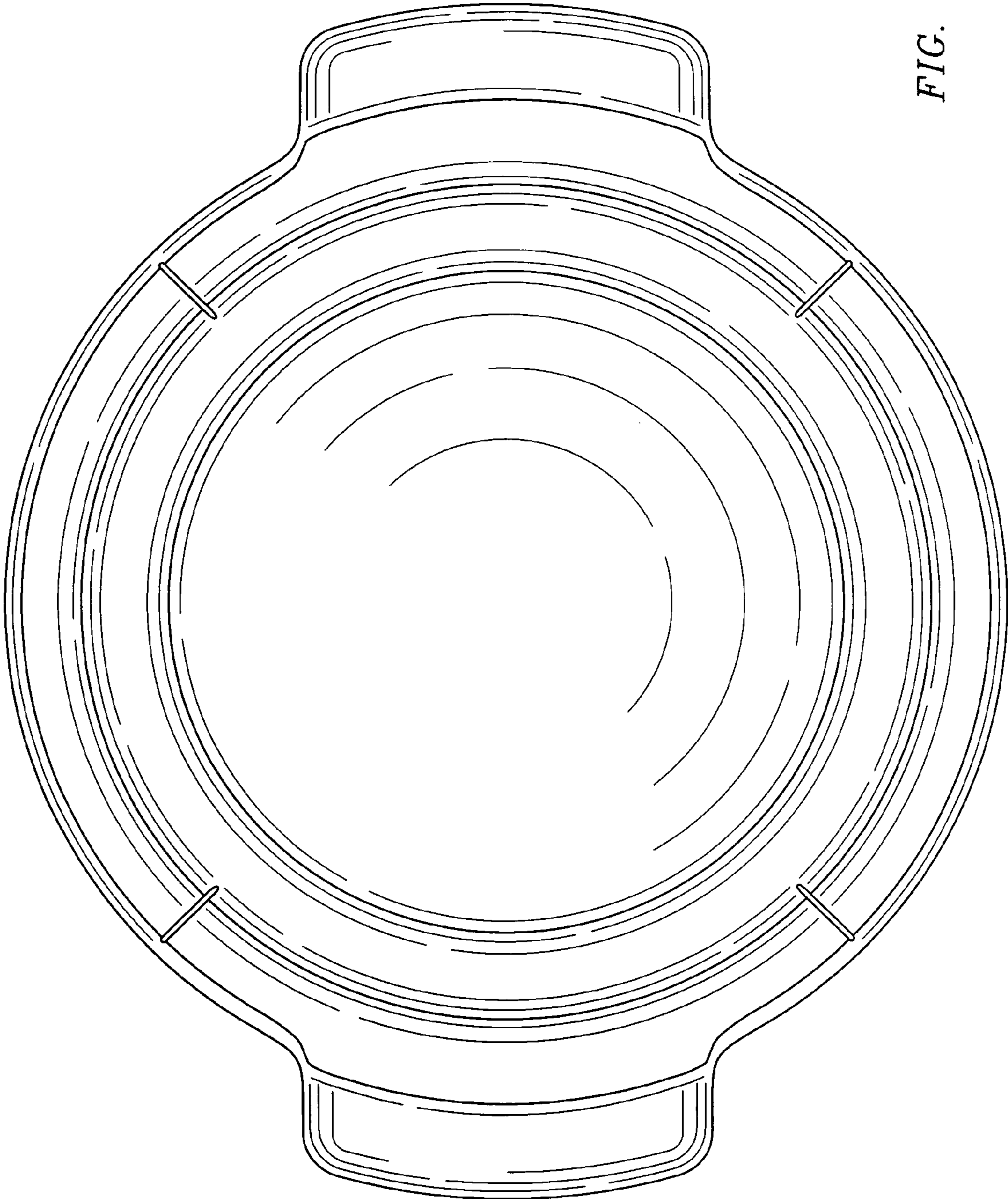


FIG. 4

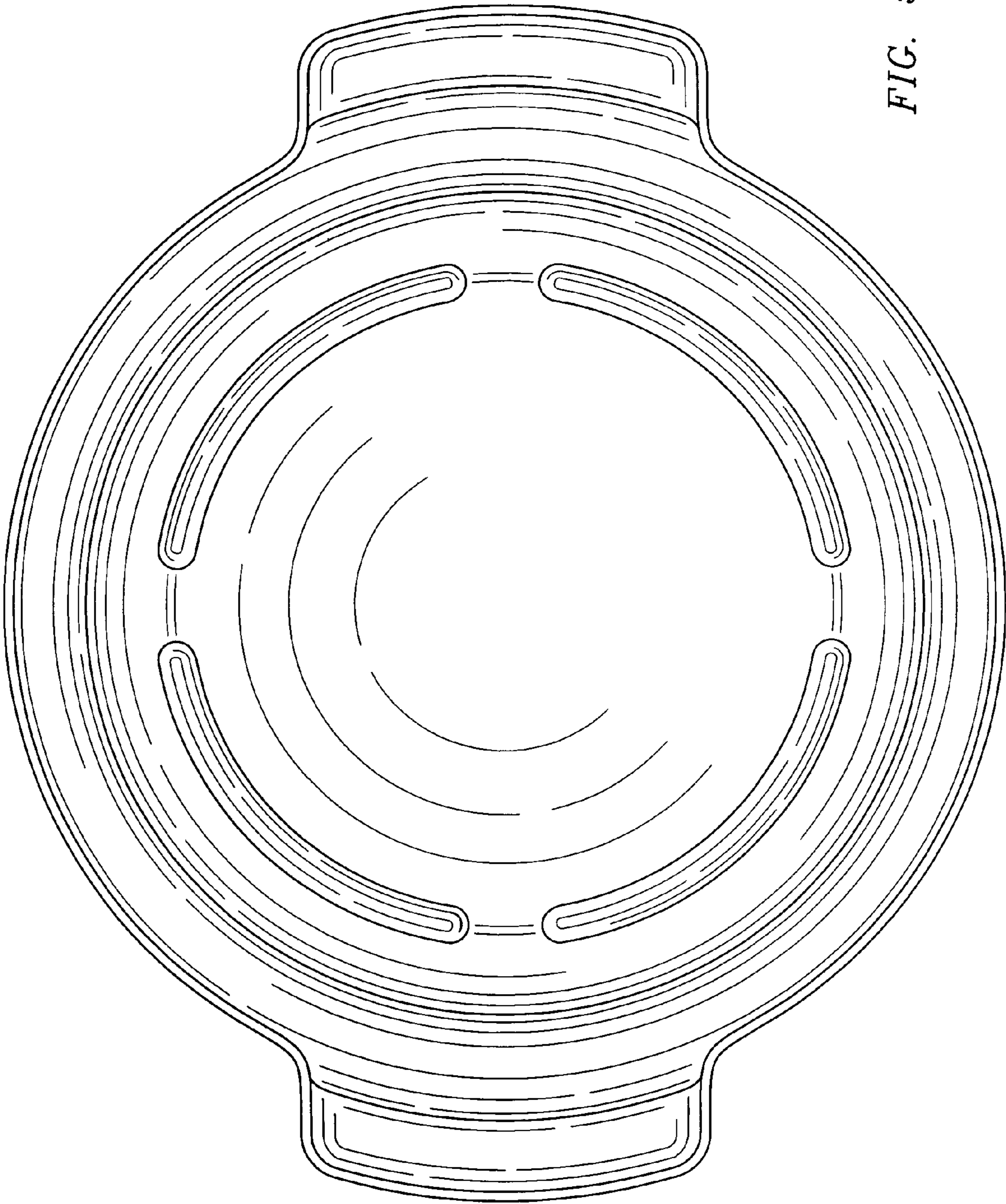


FIG. 5

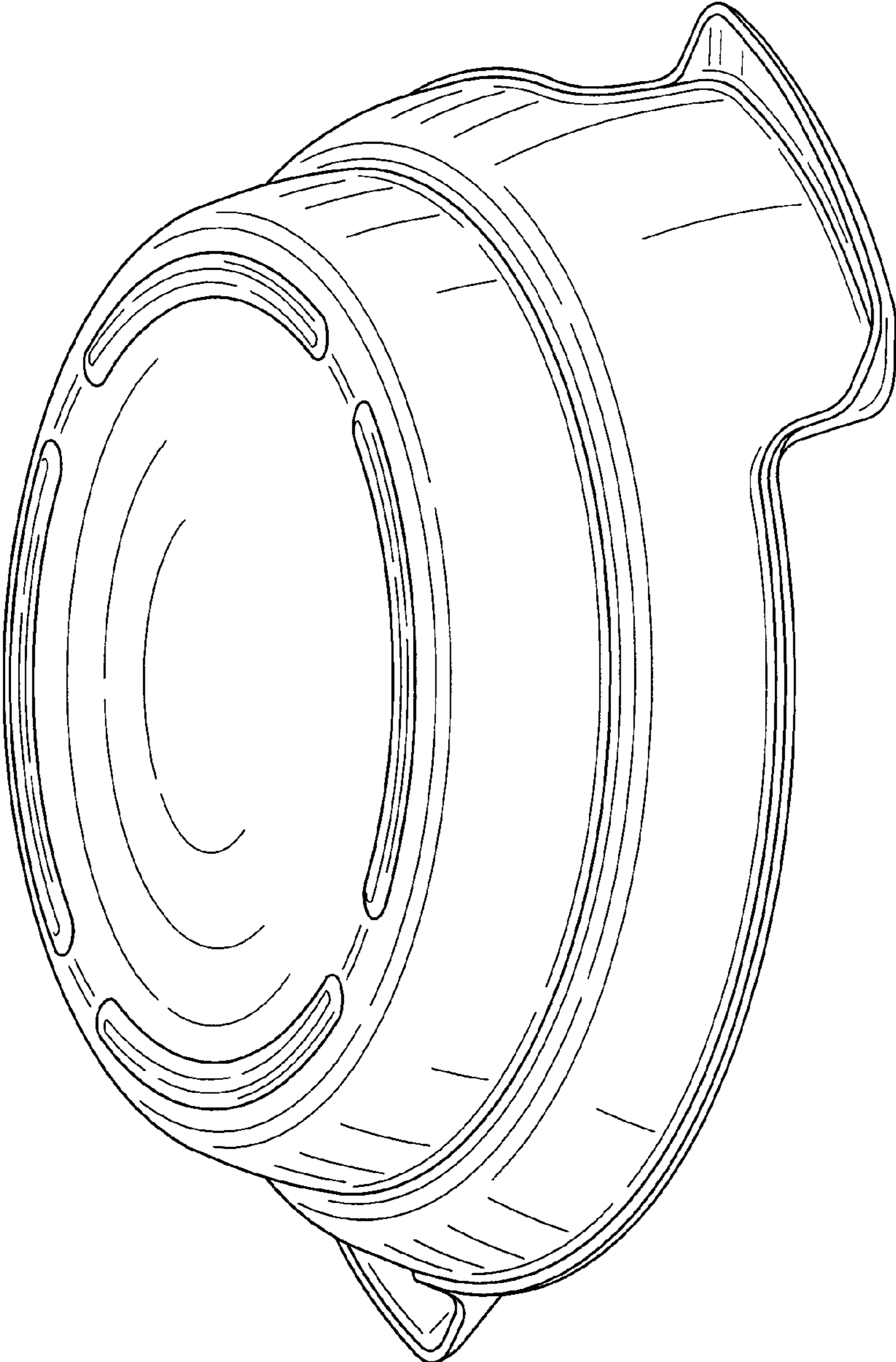


FIG. 6