



US00D604985S

(12) **United States Design Patent**
Taylor et al.

(10) **Patent No.:** **US D604,985 S**

(45) **Date of Patent:** **** Dec. 1, 2009**

(54) **COFFEE MACHINE FOR COFFEE PODS**

(75) Inventors: **Maurice Taylor**, München (DE);
Thomas Grupp, München (DE); **Nico Michler**, München (DE); **Stefanie Baumüller**, München (DE); **Michael Lanz**, München (DE); **Claude Toussaint**, München (DE); **Gerhard Helmreich**, München (DE); **Eva-Poldi Leo**, München (DE)

(73) Assignee: **Petra-Electric GmbH & Co. KG**,
Bargau (DE)

(**) Term: **14 Years**

(21) Appl. No.: **29/321,737**

(22) Filed: **Jul. 22, 2008**

(30) **Foreign Application Priority Data**

Jan. 23, 2008 (EM) 000863824

(51) **LOC (9) Cl.** **07-01**

(52) **U.S. Cl.** **D7/309; D7/310; D7/311**

(58) **Field of Classification Search** D7/300,
D7/306-312; 99/295, 298, 300, 279

See application file for complete search history.

(56) **References Cited**

U.S. PATENT DOCUMENTS

D313,147 S * 12/1990 Rossio et al. D7/309

D377,576 S * 1/1997 Amiel D7/309
D511,066 S * 11/2005 Garner D7/309
D561,514 S * 2/2008 Cortese et al. D7/309
D582,714 S * 12/2008 Hensel D7/309
D585,692 S * 2/2009 Borin D7/309

* cited by examiner

Primary Examiner—Marianne Pandozzi

(74) *Attorney, Agent, or Firm*—Buchanan Ingersoll & Rooney PC

(57) **CLAIM**

The ornamental design for a coffee machine for coffee pods, as shown and described.

DESCRIPTION

FIG. 1 is a front, side and top perspective view of a coffee machine for coffee pods showing our new design.

FIG. 2 is a front, side and top perspective view thereof.

FIG. 3 is an enlarged rear elevational view thereof.

FIG. 4 is an enlarged top plan view thereof.

FIG. 5 is an enlarged front elevational view thereof.

FIG. 6 is an enlarged right side elevational view thereof.

FIG. 7 is an enlarged left side elevational view thereof; and,

FIG. 8 is an enlarged bottom plan view thereof.

The broken line showing of a cup in FIG. 1 is for environmental purposes only and forms no part of the claimed design.

1 Claim, 8 Drawing Sheets

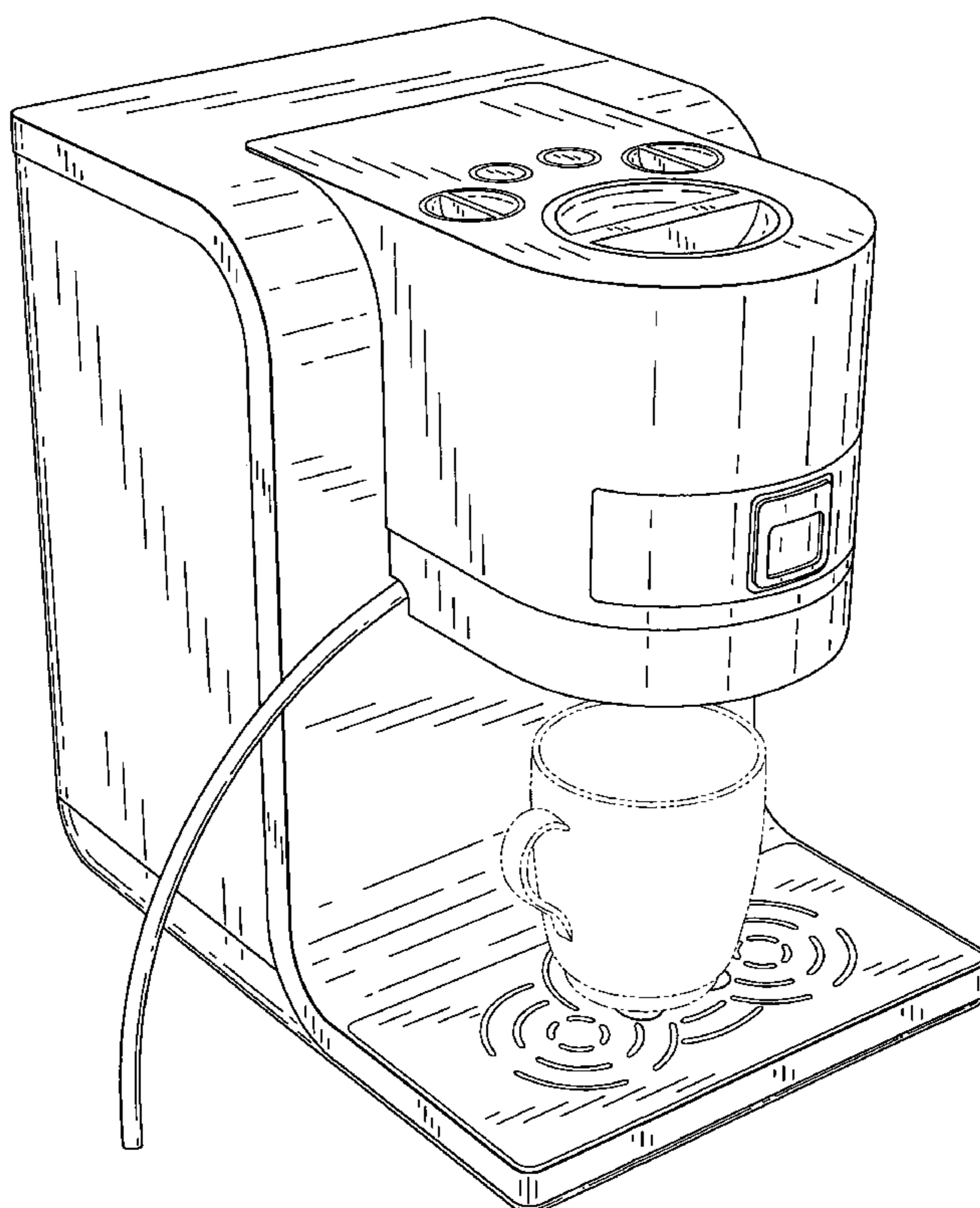


FIG. 1

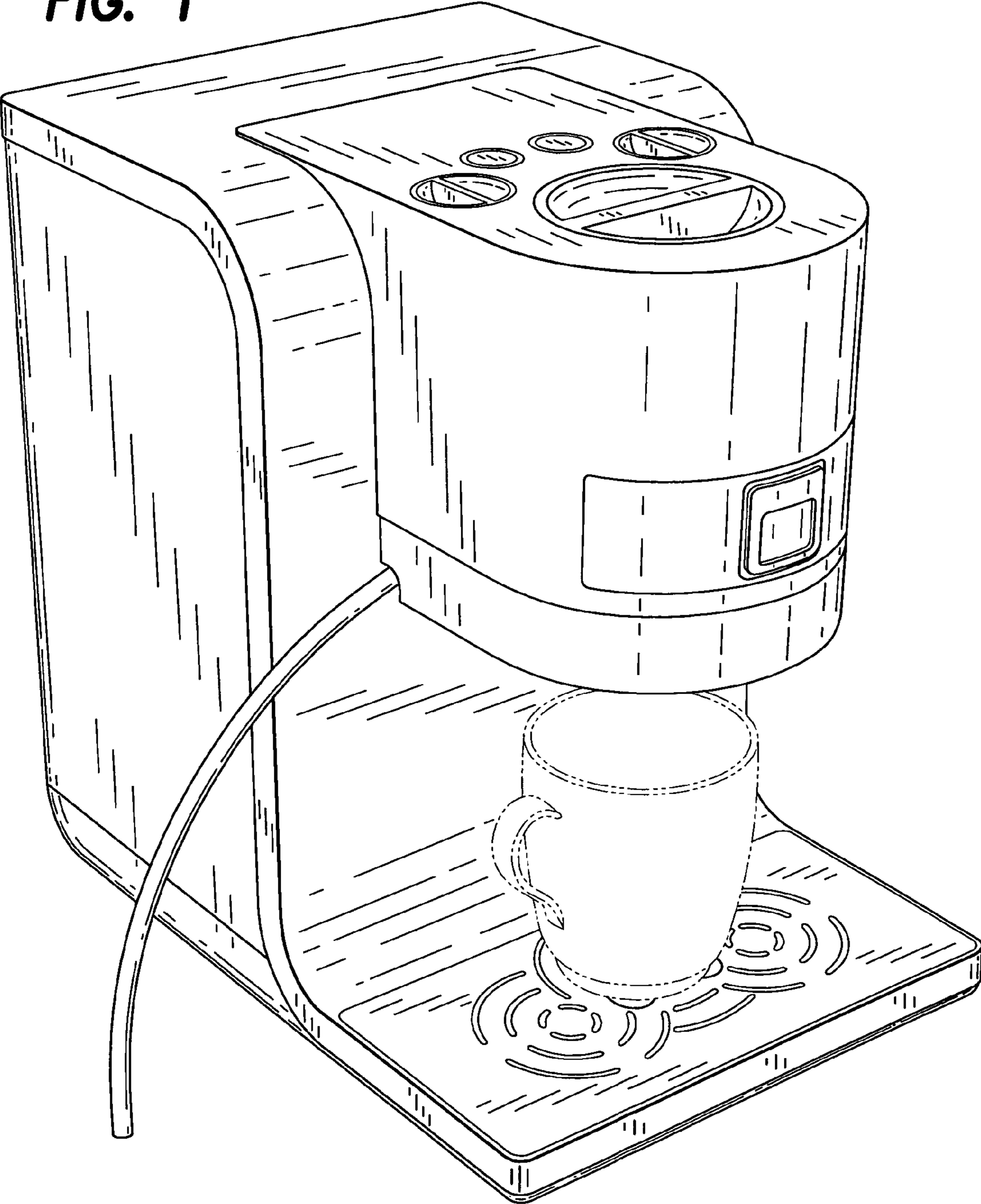


FIG. 2

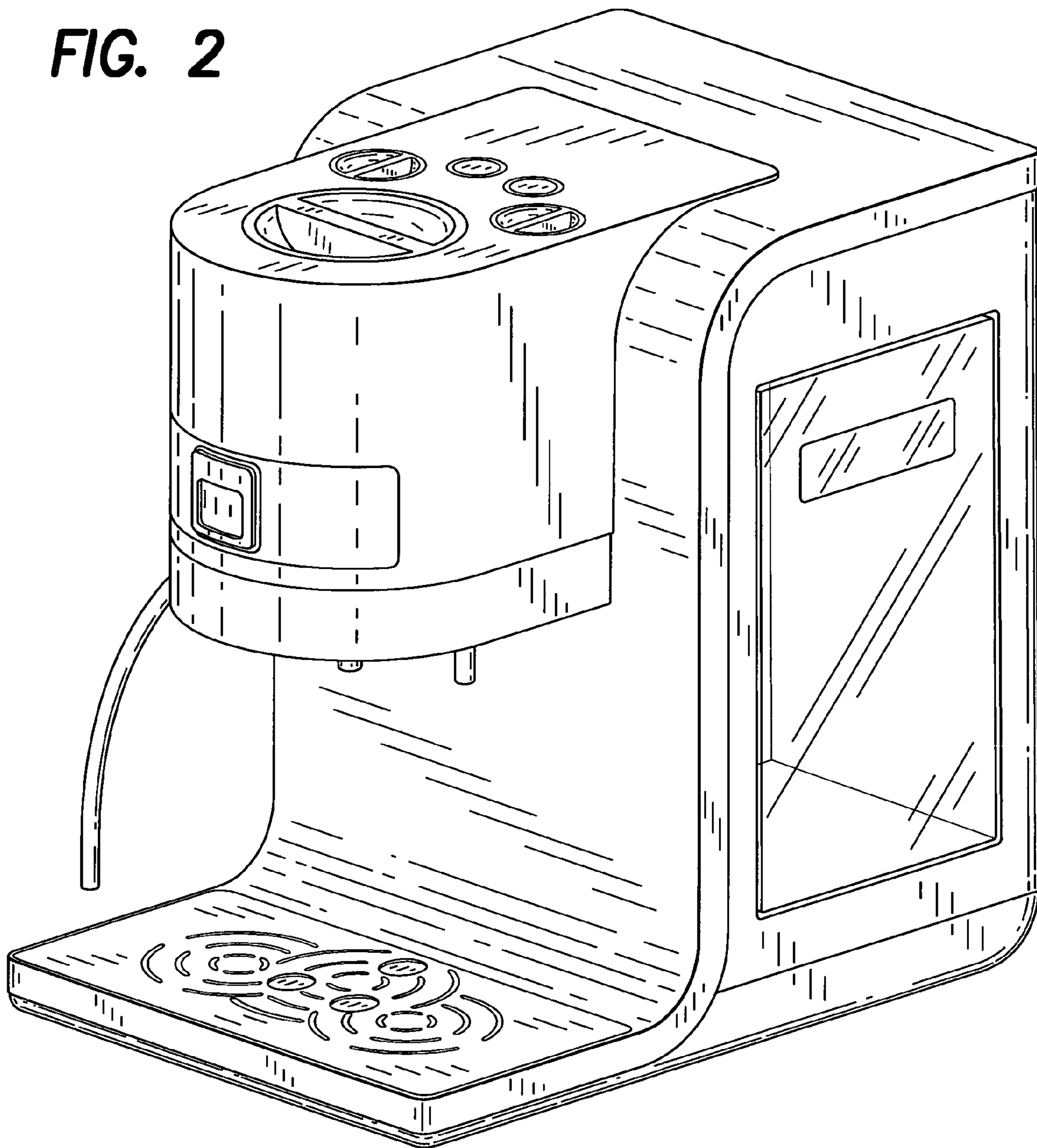


FIG. 3

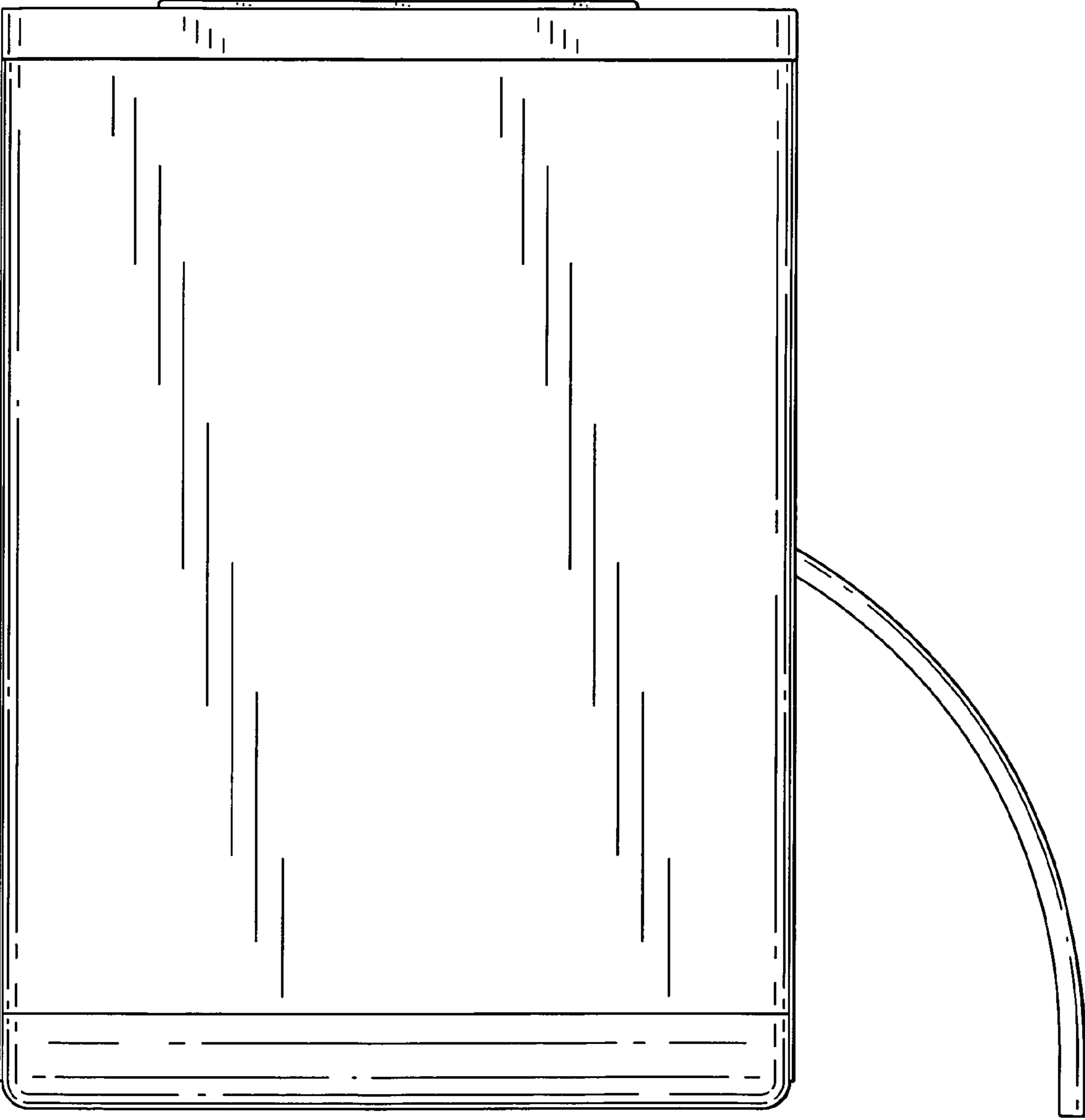


FIG. 4

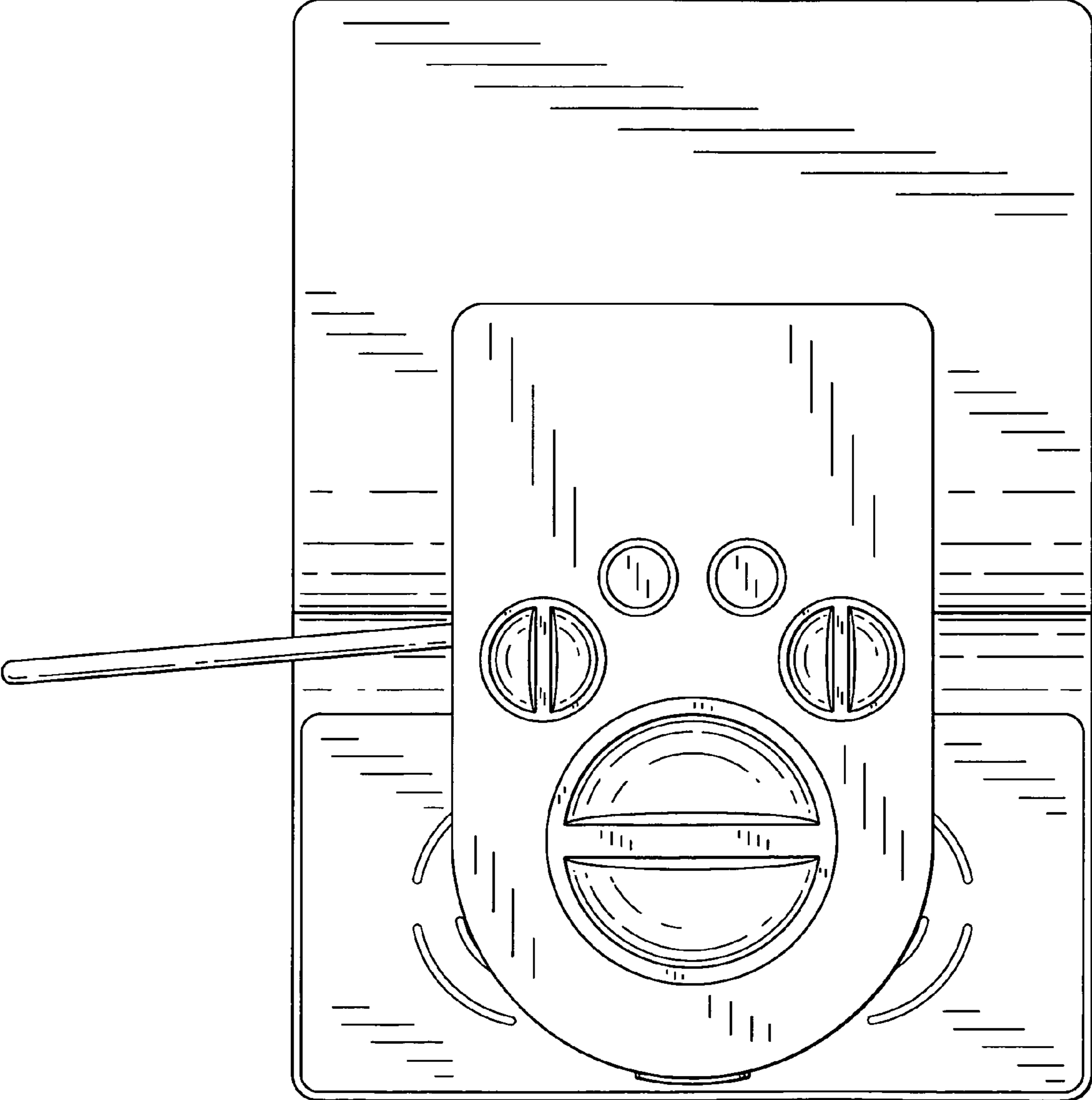


FIG. 5

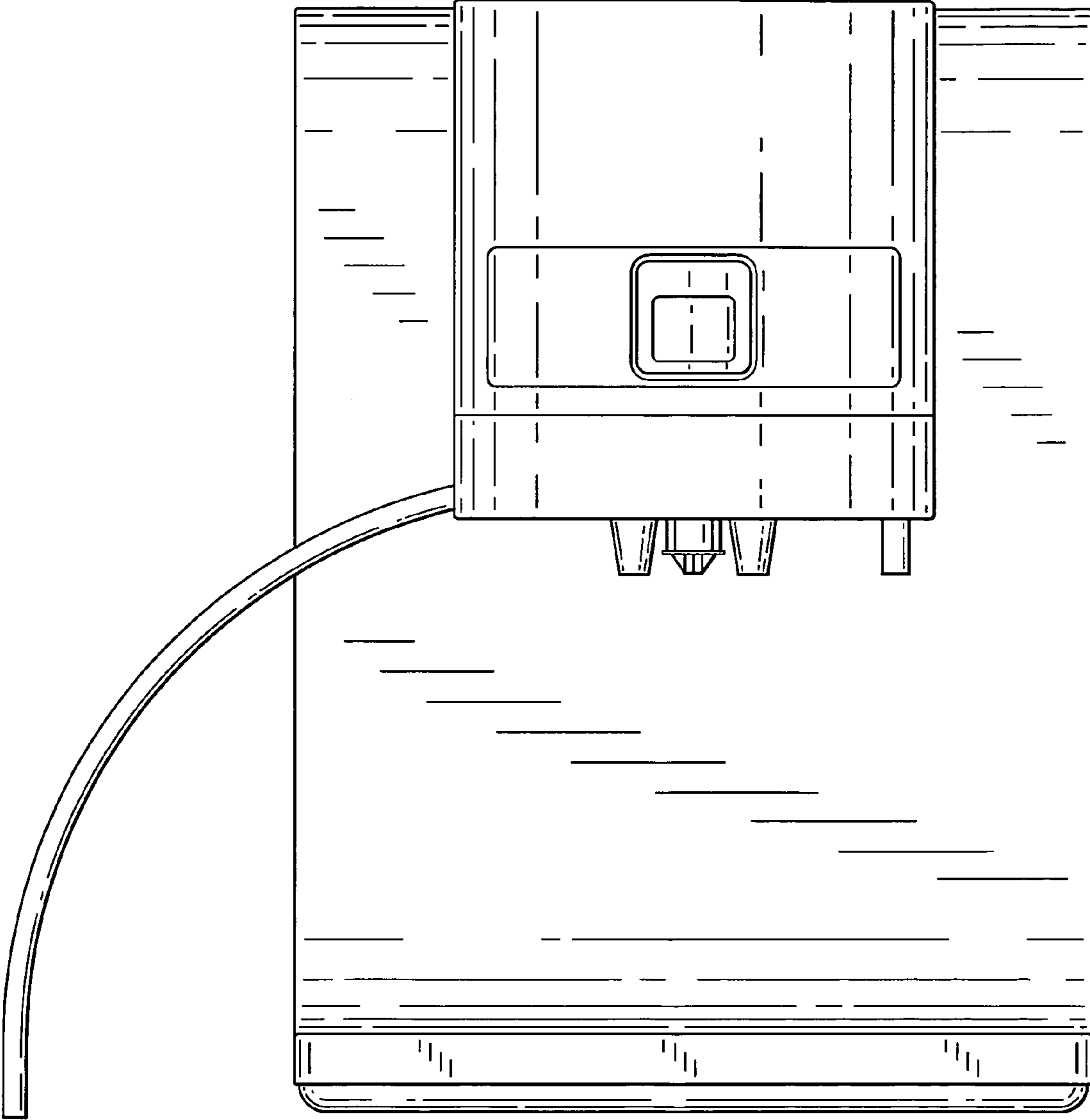


FIG. 6

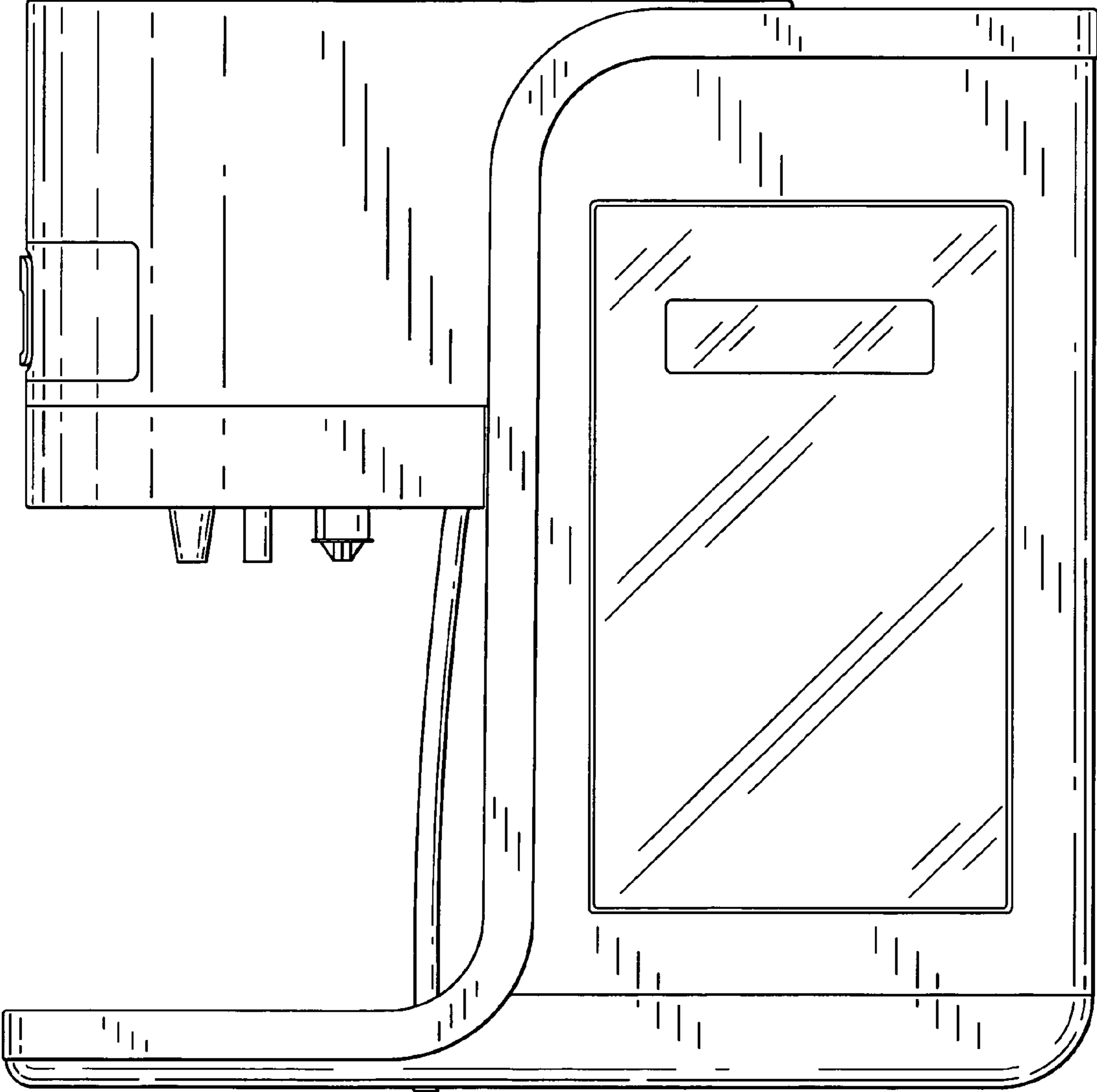


FIG. 7

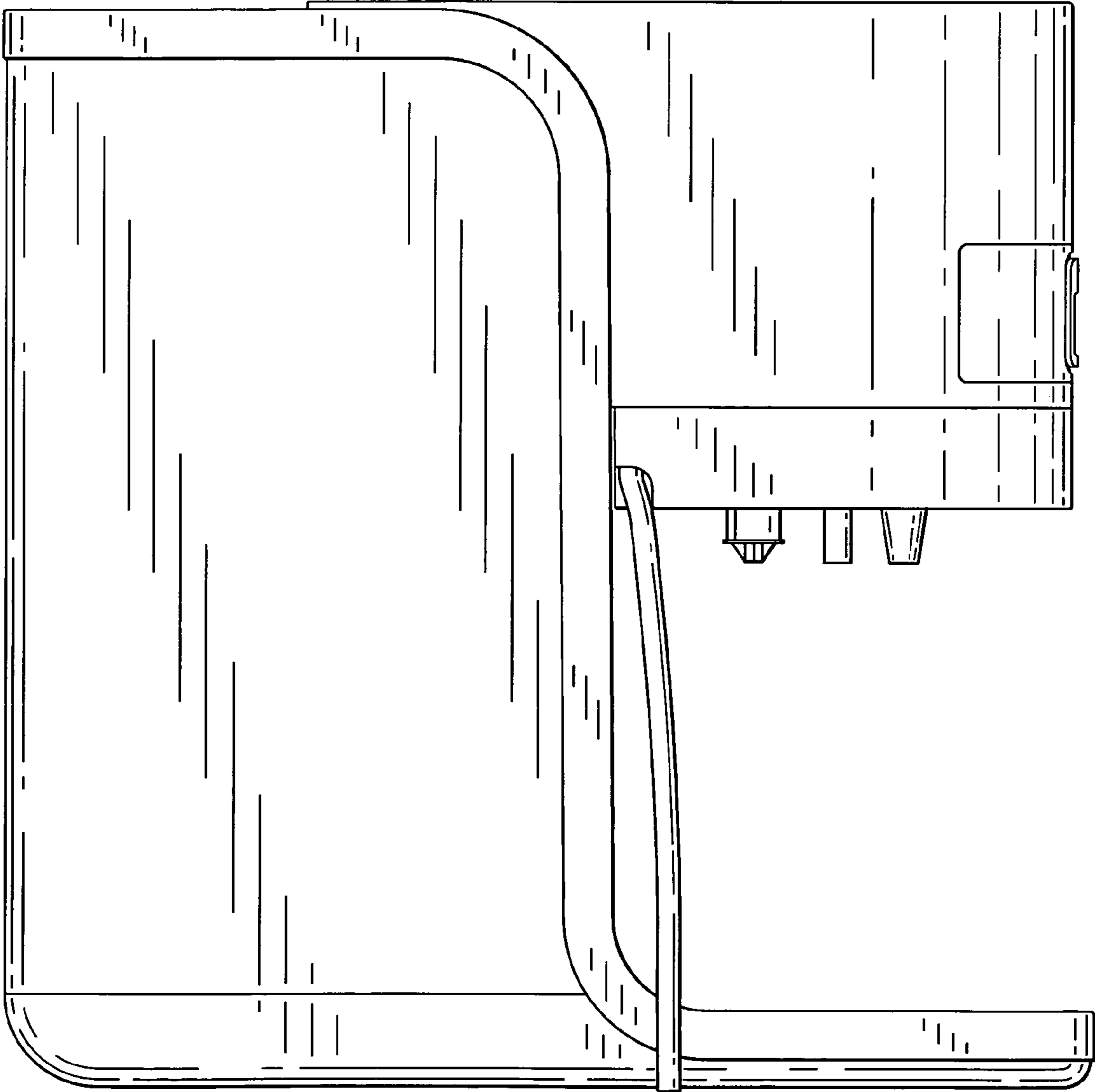


FIG. 8

