

US00D604983S

(12) **United States Design Patent**
Rossell

(10) **Patent No.:** **US D604,983 S**
(45) **Date of Patent:** **** Dec. 1, 2009**

(54) **TRANSLUCENT PLACEMAT**

(76) Inventor: **Patricia L. Rossell**, 1326 Wynwood Ave., Cherry Hill, NJ (US) 08002

(**) Term: **14 Years**

(21) Appl. No.: **29/310,962**

(22) Filed: **Sep. 19, 2008**

(51) **LOC (9) Cl.** **06-13**

(52) **U.S. Cl.** **D6/616; D19/3**

(58) **Field of Classification Search** D6/613, D6/616; D19/1-34; 40/124.01-124.15, 40/672, 661, 726, 776, 617; 283/72, 74, 283/75, 103, 105, 106; 206/449, 213, 308.3; D20/10, 22, 27, 40, 42, 11; 229/72, 92, 92.1, 229/300-303, 81; D9/707, 709; 383/707, 383/709; 428/46, 14

See application file for complete search history.

(56) **References Cited**

U.S. PATENT DOCUMENTS

4,806,397	A *	2/1989	Horwitz	428/14
D361,782	S *	8/1995	Chung	D19/26
D366,495	S *	1/1996	Hirai	D19/3
D428,297	S *	7/2000	Drew et al.	D19/33
D458,633	S *	6/2002	Nada et al.	D19/26
D491,407	S *	6/2004	Martinetti	D19/33
D510,596	S *	10/2005	Ong	D19/26
D513,038	S *	12/2005	Ong	D19/26
D519,559	S *	4/2006	Mehta	D19/26
D522,575	S *	6/2006	Smith	D19/33
D522,576	S *	6/2006	Smith	D19/33
D538,576	S *	3/2007	Bartell et al.	D6/616
D586,852	S *	2/2009	Porcano et al.	D19/27

* cited by examiner

Primary Examiner—T. Chase Nelson
Assistant Examiner—David G Muller

(74) *Attorney, Agent, or Firm*—Stuart M. Goldstein

(57) **CLAIM**

The ornamental design for a translucent placemat, as shown and described.

DESCRIPTION

FIG. 1 is a front perspective view of the translucent placemat of the present invention in a closed position.

FIG. 2 is a top view of the translucent placemat of the present invention in a closed position.

FIG. 3 is a bottom view of the translucent placemat of the present invention in a closed position.

FIG. 4 is a elevation view of the translucent placemat of the present invention in a closed position.

FIG. 5 is the opposite elevation view of the translucent placemat of the present invention in a closed position.

FIG. 6 is a bottom end view of the translucent placemat of the present invention in a closed position.

FIG. 7 is a top end view of the translucent placemat of the present invention in a closed position.

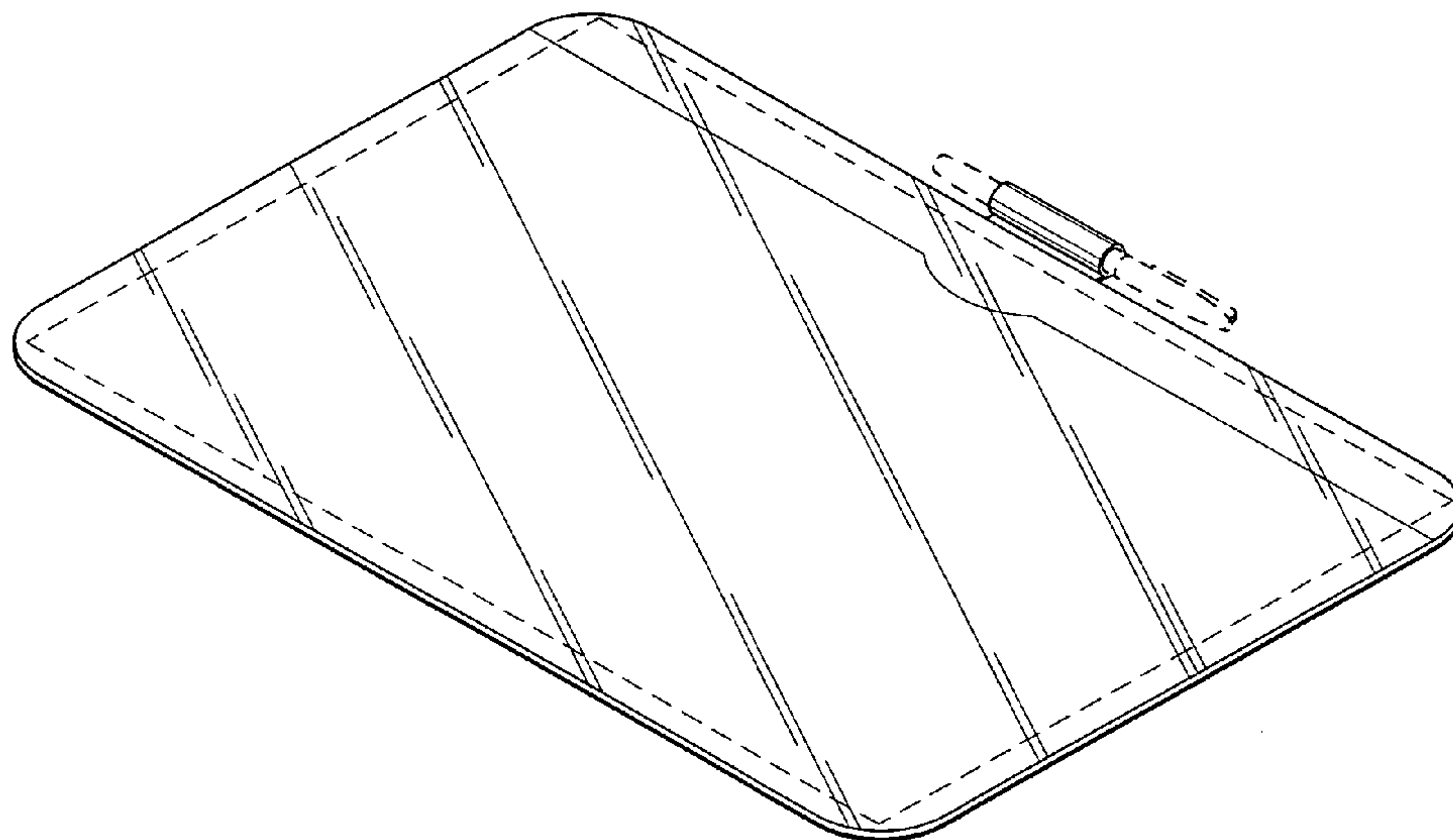
FIG. 8 is a top view of the translucent placemat of the present invention in an open position with a representative paper insert extending therefrom; and,

FIG. 9 is a perspective top view of the translucent placemat of the present invention with a representative paper insert extending therefrom.

The representative paper inserts do not form a part of this invention.

The broken line showing of the paper insert and pen is included for the purpose of illustrating use and environment and forms no part of the claimed design.

1 Claim, 5 Drawing Sheets



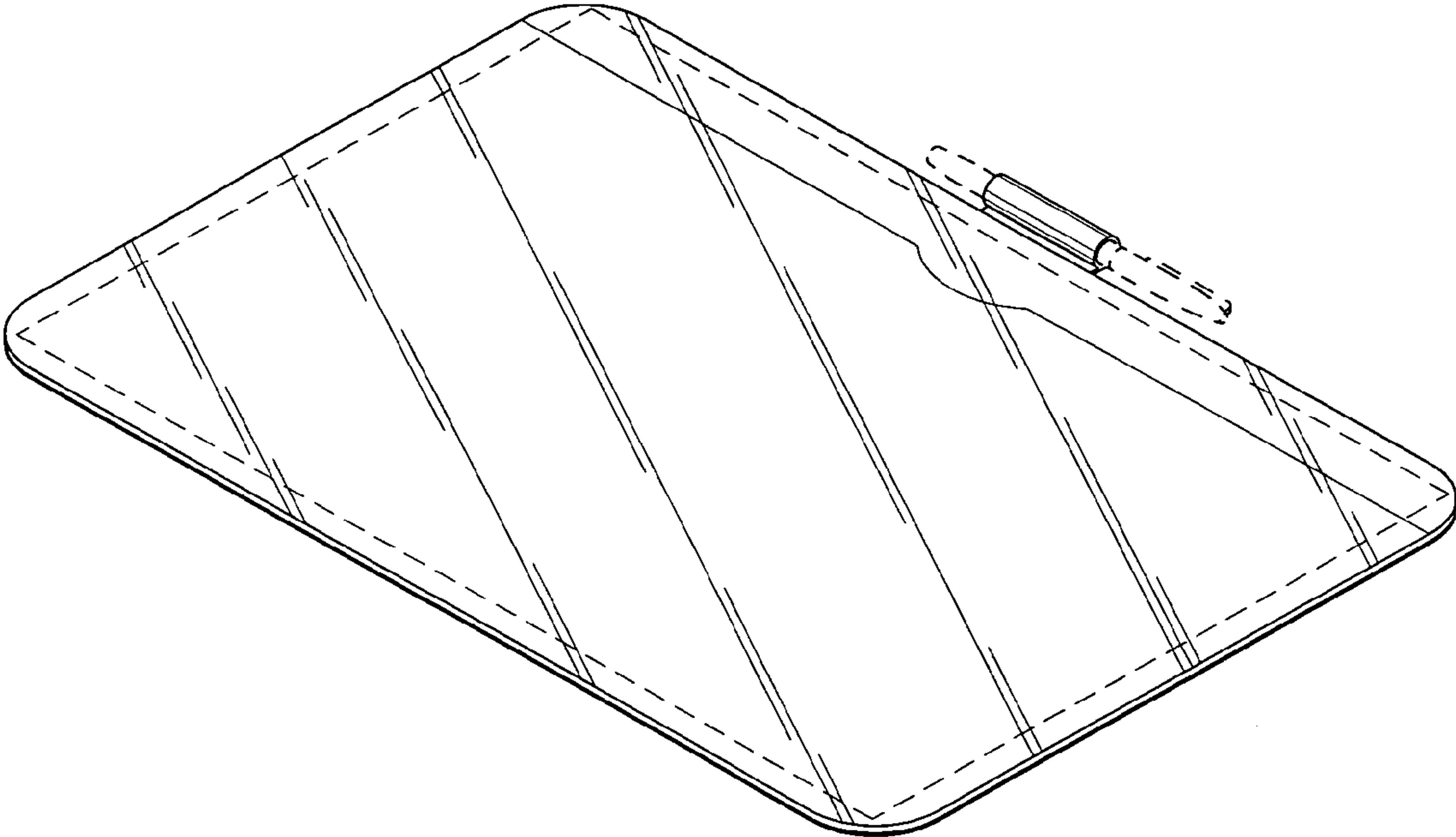


FIG. 1

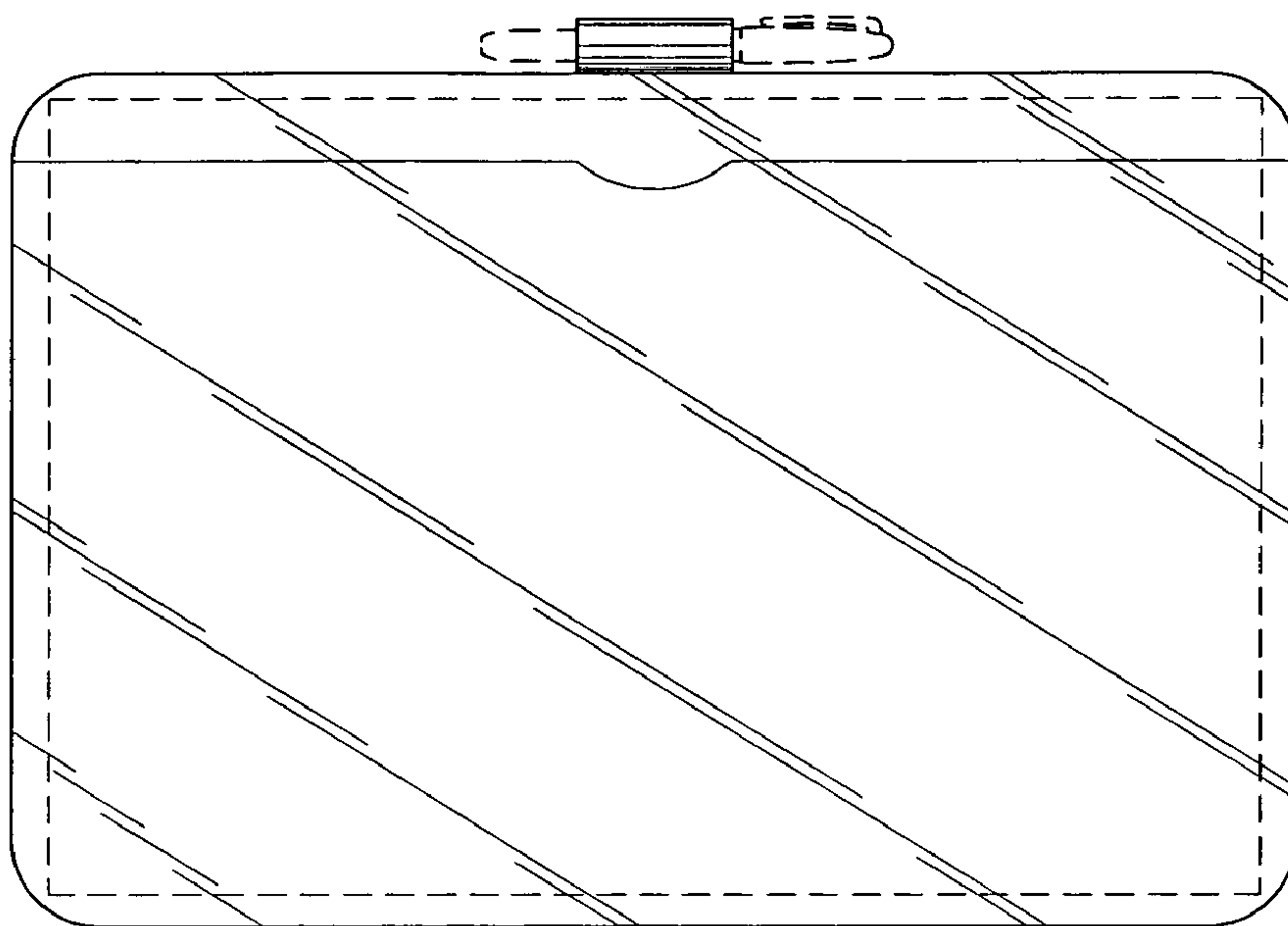


FIG. 2

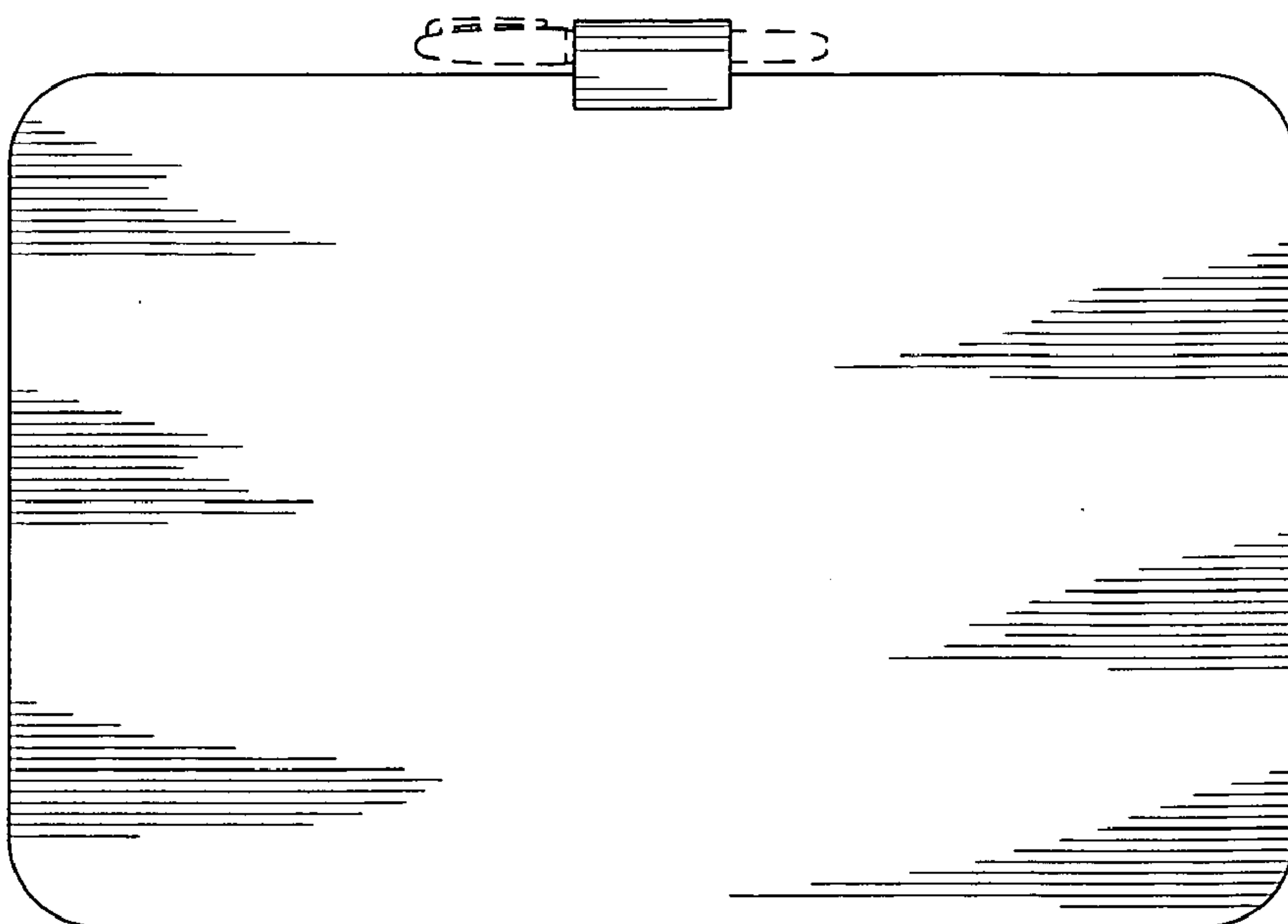


FIG. 3



FIG. 4



FIG. 5

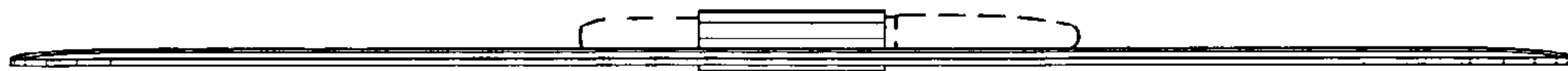


FIG. 6

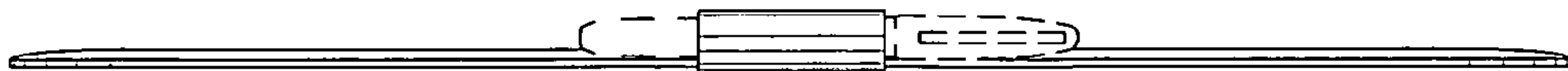


FIG. 7

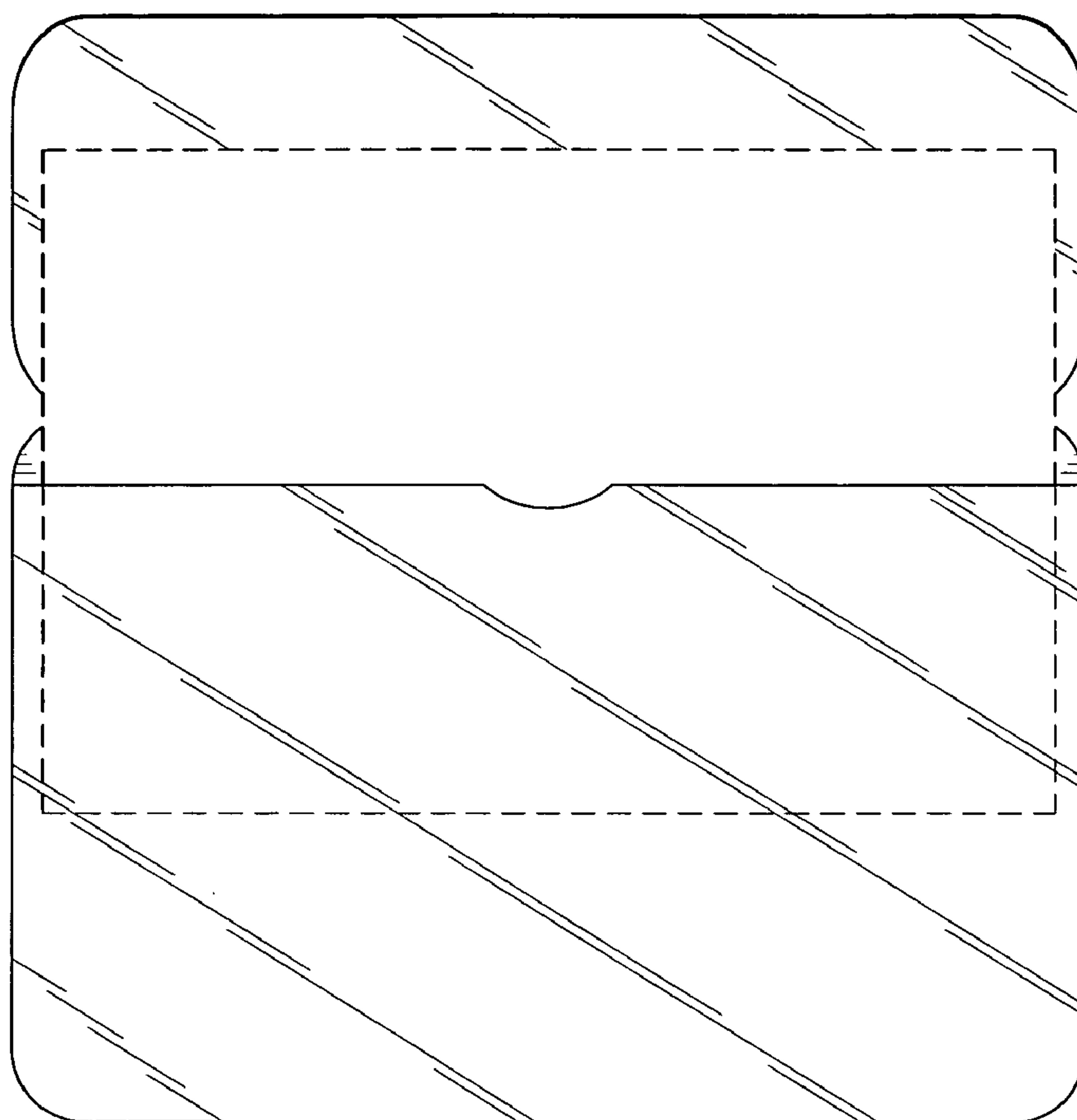


FIG. 8

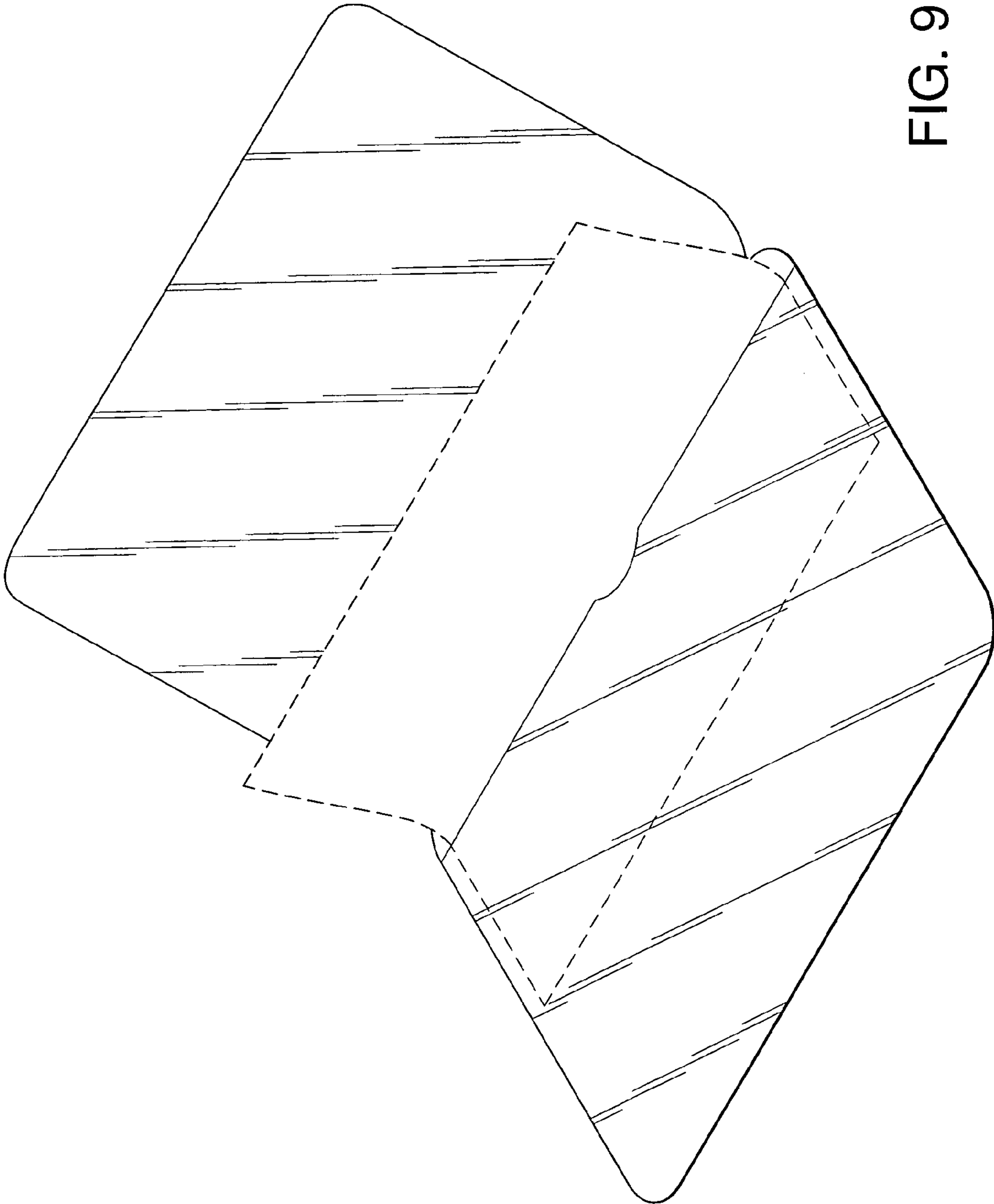


FIG. 9