



US00D604982S

(12) **United States Design Patent**
Andruszkiewicz

(10) **Patent No.:** **US D604,982 S**

(45) **Date of Patent:** **** Dec. 1, 2009**

(54) **UNFOLDABLE CRIB BUMPER**

(57) **CLAIM**

(76) **Inventor:** **Alicja Andruszkiewicz**, 97-3763 Rd.,
#8K, Rego Park, NY (US) 11374

The ornamental design for an unfoldable crib bumper, as shown and described.

(**) **Term:** **14 Years**

DESCRIPTION

(21) **Appl. No.:** **29/305,621**

(22) **Filed:** **Mar. 25, 2008**

(51) **LOC (9) Cl.** **06-09**

(52) **U.S. Cl.** **D6/596; D6/601**

(58) **Field of Classification Search** D6/595-598,
D6/601, 503, 605; D9/432, 433, 456; 5/424-426,
5/655, 512, 513, 659, 946, 907; D7/607
See application file for complete search history.

FIG. 1 is a perspective view of unfoldable crib bumper in unfolded state showing my new design;

FIG. 2 is a left perspective view thereof, wherein the right perspective view is a mirror image of the left perspective view;

FIG. 3 is a front perspective view thereof, wherein the back perspective view is a mirror image of the front perspective view;

FIG. 4 is a top view thereof;

FIG. 5 is a front side view thereof, wherein the back side view is a mirror image of the front side view;

FIG. 6 is a left side view thereof, wherein the right side view is a mirror image of the left side view;

FIG. 7 is a perspective view of unfoldable crib bumper in folded state showing my new design;

FIG. 8 is a left perspective view thereof, wherein the right perspective view is a mirror image of the left perspective view;

FIG. 9 is a front perspective view thereof, wherein the back perspective view is a mirror image of the front perspective view;

FIG. 10 is a top view thereof;

FIG. 11 is a front side view thereof, wherein the back side view is a mirror image of the front side view;

FIG. 12 is a left side view thereof, wherein the right side view is a mirror image of the left side view;

FIG. 13 is a perspective view of unfoldable crib bumper of FIG. 1-12, shown in unfolded state, unobscured by the crib and the ties, wherein the obscured inner section and obscured outer section are mirror images of the corresponding visible sections.

FIG. 14 is a perspective view of unfoldable crib bumper of FIG. 1-13, shown in folded state, unobscured by the crib and

(56) **References Cited**

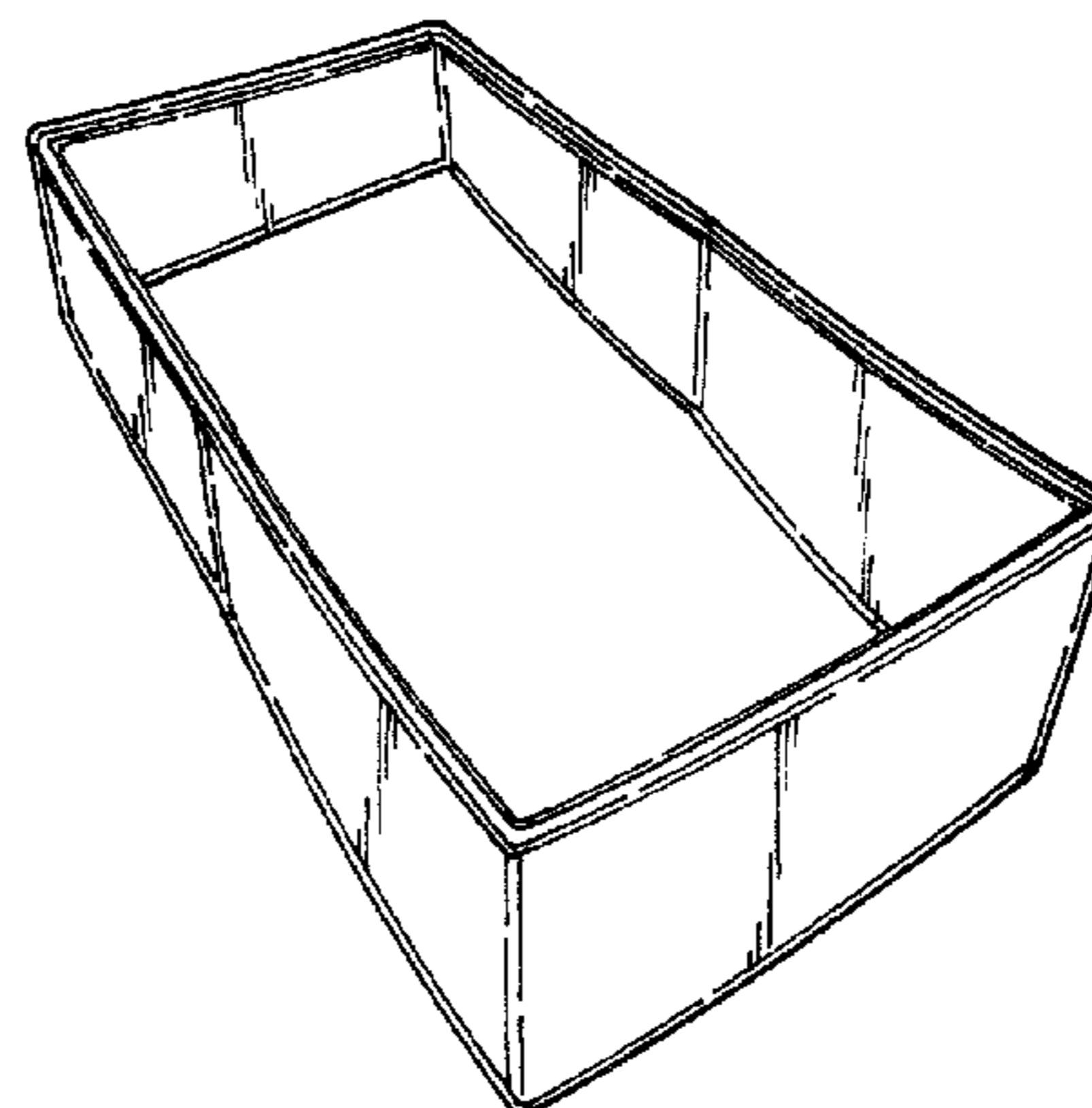
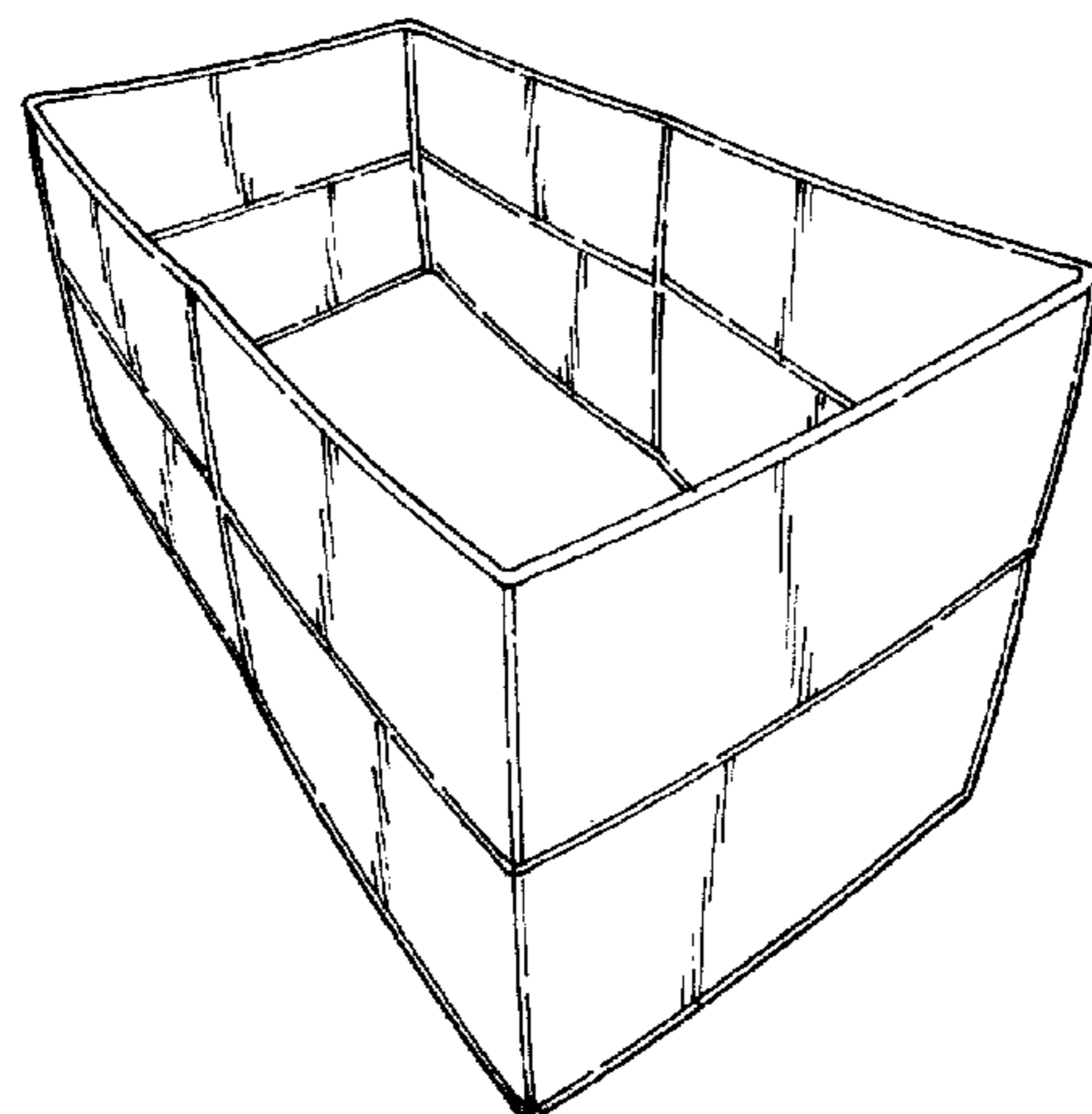
U.S. PATENT DOCUMENTS

1,666,294	A *	4/1928	Downes-Martin	229/122.34
3,321,779	A *	5/1967	Kaufman et al.	5/93.1
3,513,489	A *	5/1970	Martin et al.	5/98.1
3,877,090	A *	4/1975	Schutz	5/93.1
5,359,740	A *	11/1994	Markley et al.	5/425
5,410,765	A	5/1995	Youngblood		
5,421,046	A	6/1995	Streek		
D365,957	S	1/1996	Ferrari		
5,542,135	A	8/1996	Ozrovitz		
5,577,276	A	11/1996	Nicholson		
5,806,112	A *	9/1998	Harms	5/93.1
6,178,573	B1 *	1/2001	Wagner et al.	5/424
6,564,403	B1 *	5/2003	Titus	5/425
6,957,464	B1 *	10/2005	Coauette	5/663
7,213,282	B1 *	5/2007	Wojtowicz	5/93.1

* cited by examiner

Primary Examiner—Janice E Seeger

(74) *Attorney, Agent, or Firm*—Alexey Bakman, Esq.



the ties, wherein the obscured inner section and obscured outer section are mirror images of the corresponding visible sections.

FIG. **15** is a perspective view of another embodiment of unfoldable crib bumper, shown in unfolded state, unobscured by the crib and the ties, wherein the obscured inner section and obscured outer section are mirror images of the corresponding visible sections.

FIG. **16** is a perspective view thereof, shown in folded state, unobscured by the crib and the ties, wherein the obscured inner section and obscured outer section are mirror images of the corresponding visible sections.

FIG. **17** is a perspective view thereof, with the crib and the ties shown.

FIG. **18** is a left perspective view thereof, wherein the right perspective view is a mirror image of the left perspective view;

FIG. **19** is a front perspective view thereof, wherein the back perspective view is a mirror image of the front perspective view;

FIG. **20** is a top view thereof;

FIG. **21** is a front side view thereof, wherein the back side view is a mirror image of the front side view; and,

FIG. **22** is a left side view thereof, wherein the right side view is a mirror image of the left side view;

The broken line showing of the environment (i.e. the crib and the ties) is for illustrative purposes only and forms no part of the claimed design.

Surface shading on the crib bumper, is provided merely to highlight the contour of design; it is not intended to be illustrative of texture or gloss.

1 Claim, 11 Drawing Sheets

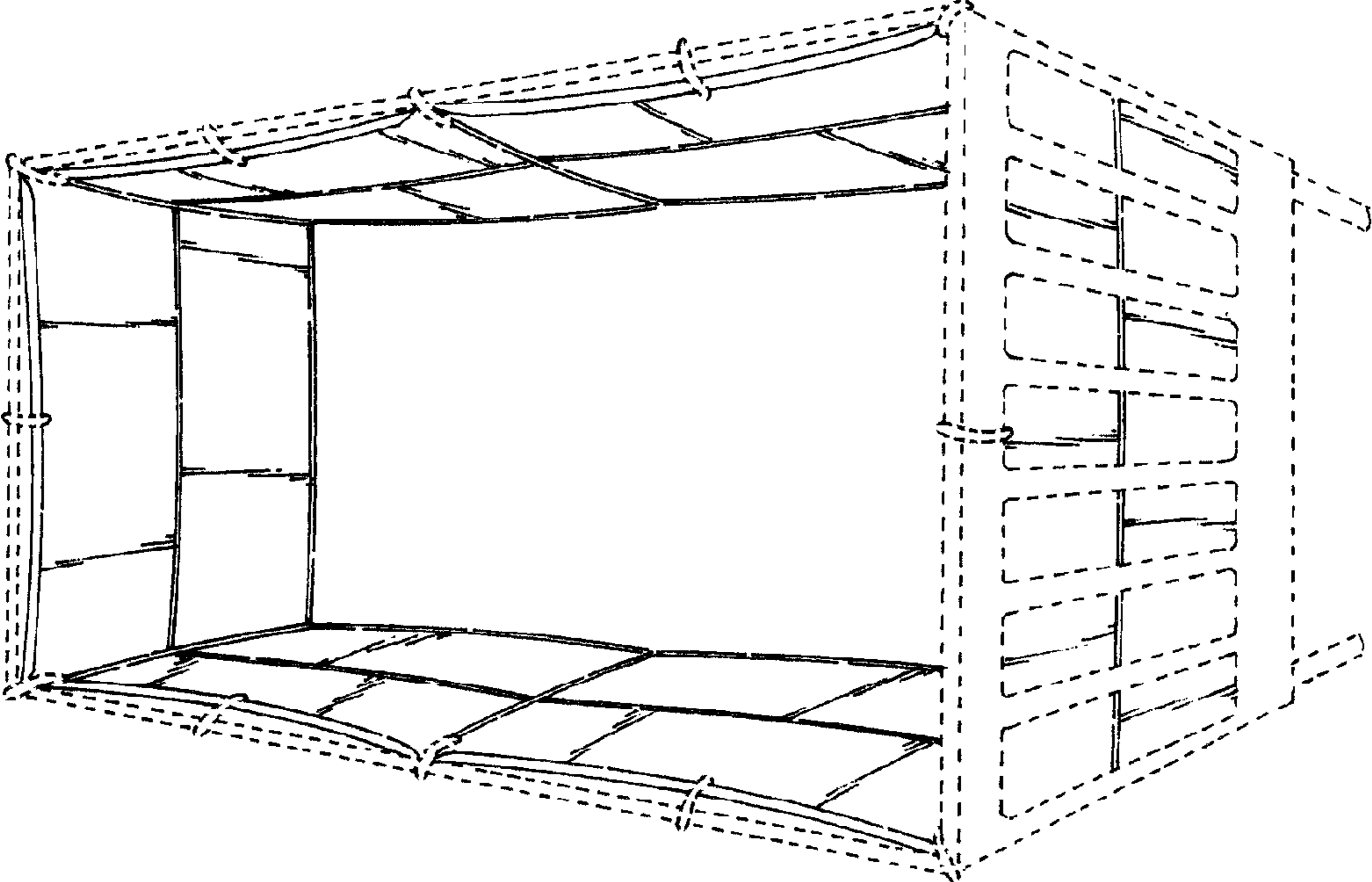


FIG. 2

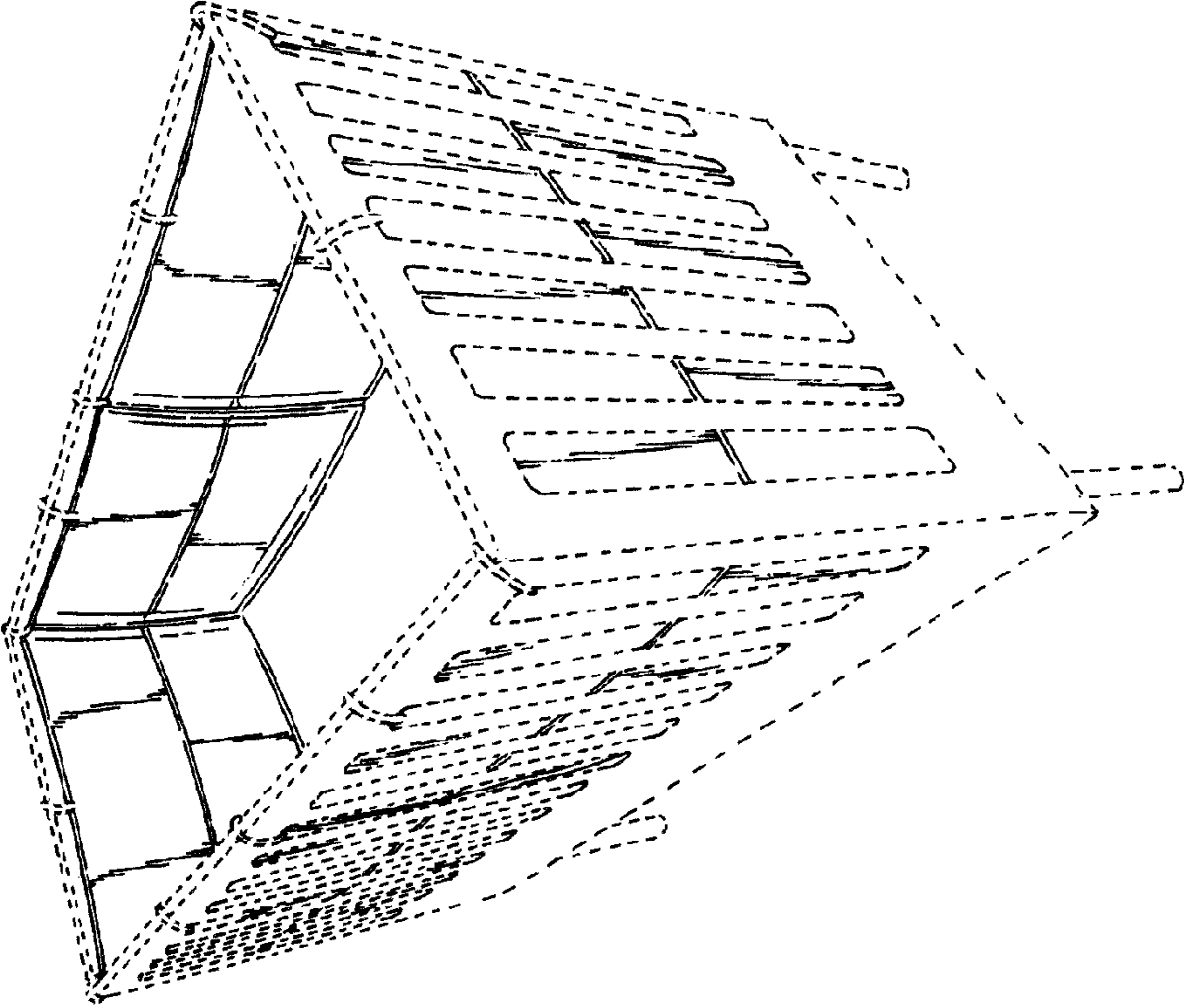


FIG. 1

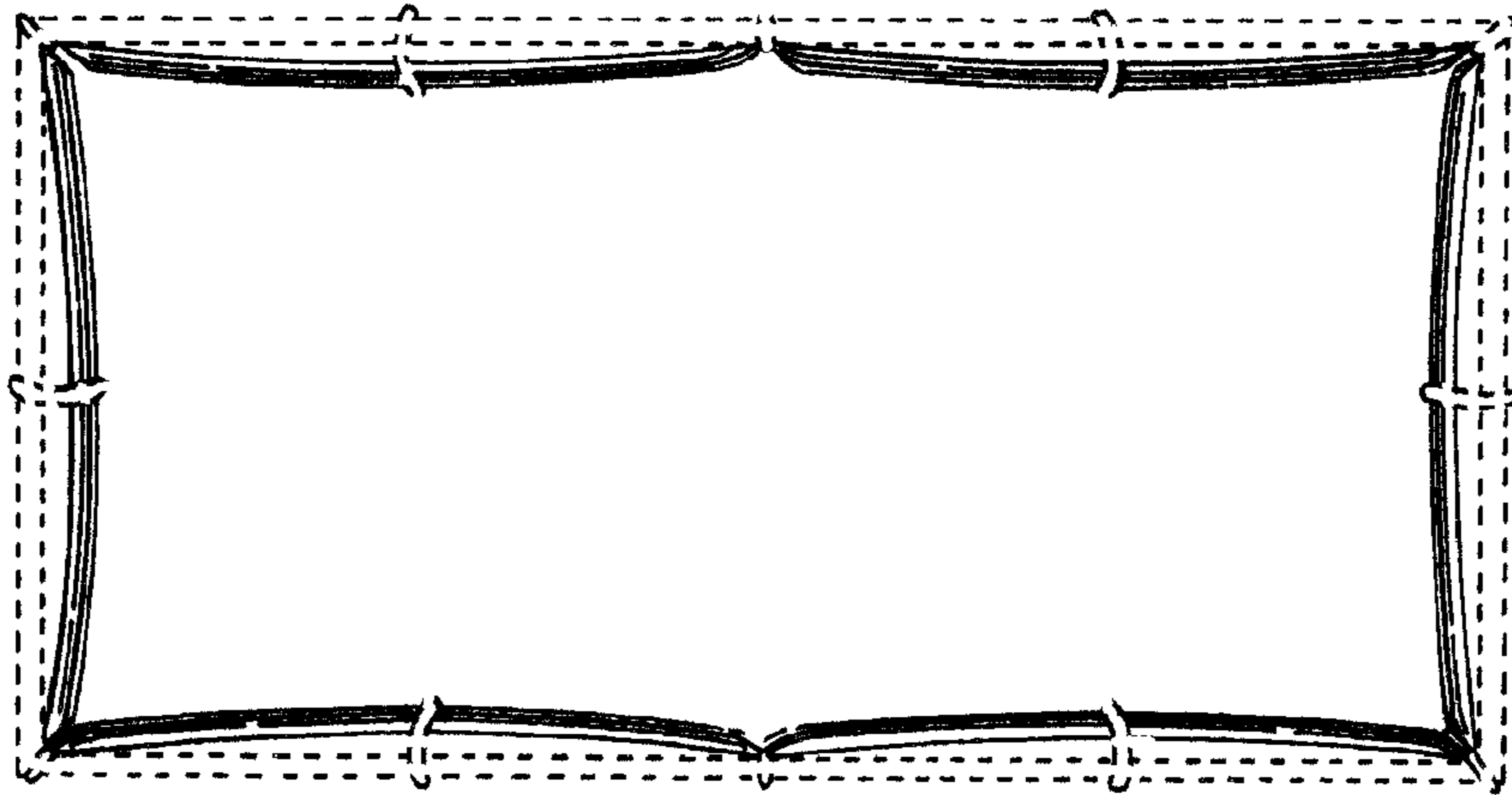


FIG. 4

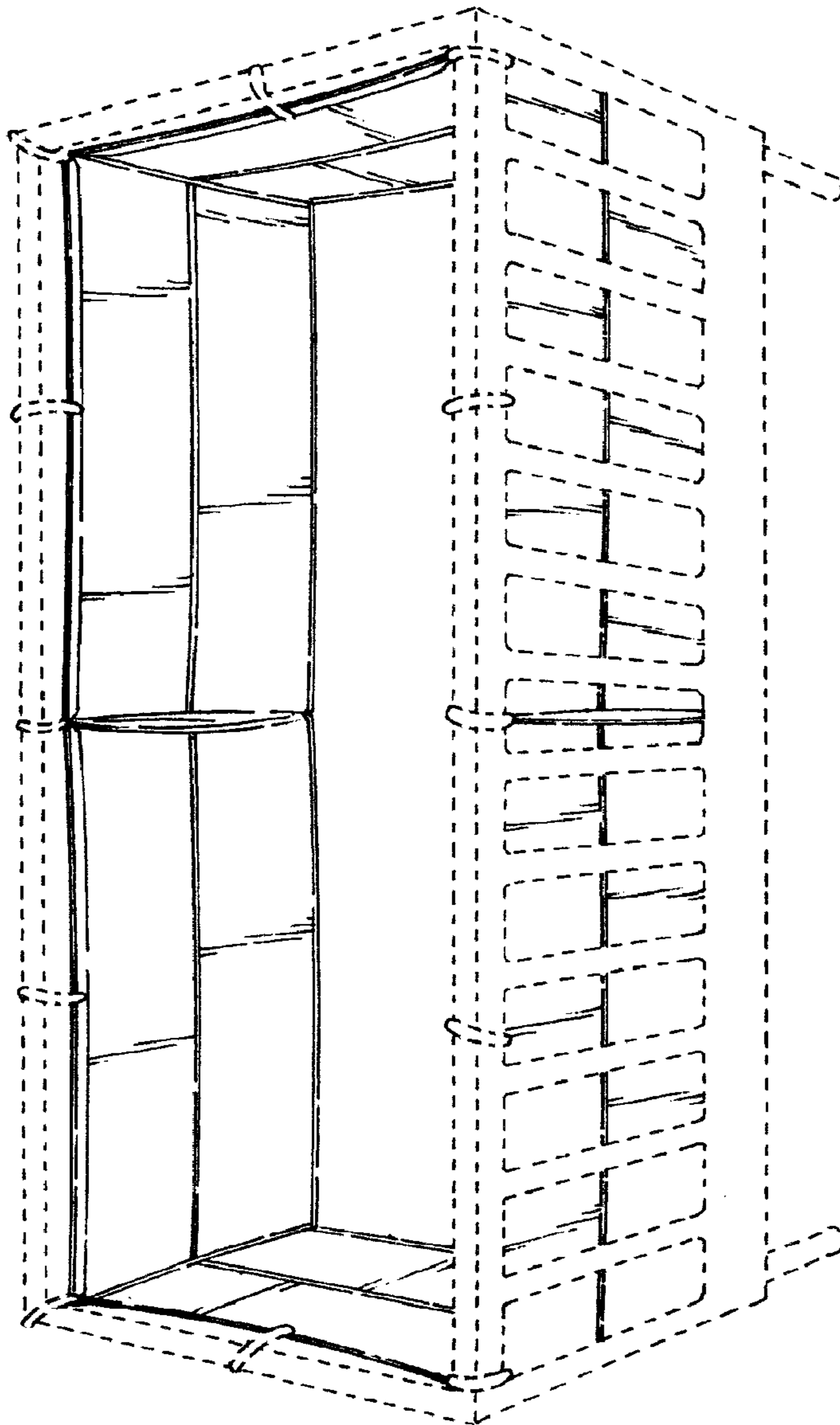


FIG. 3

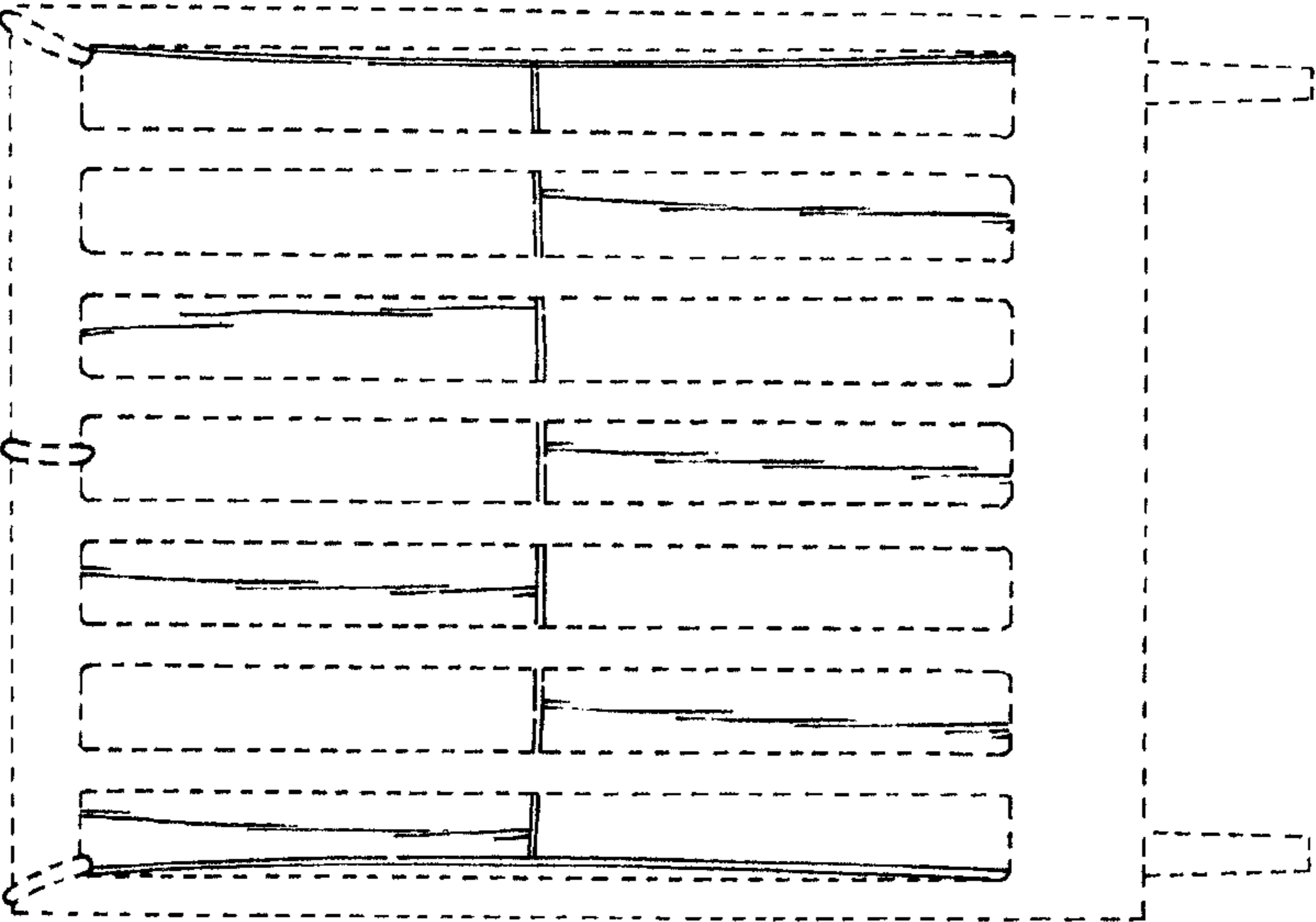


FIG. 6

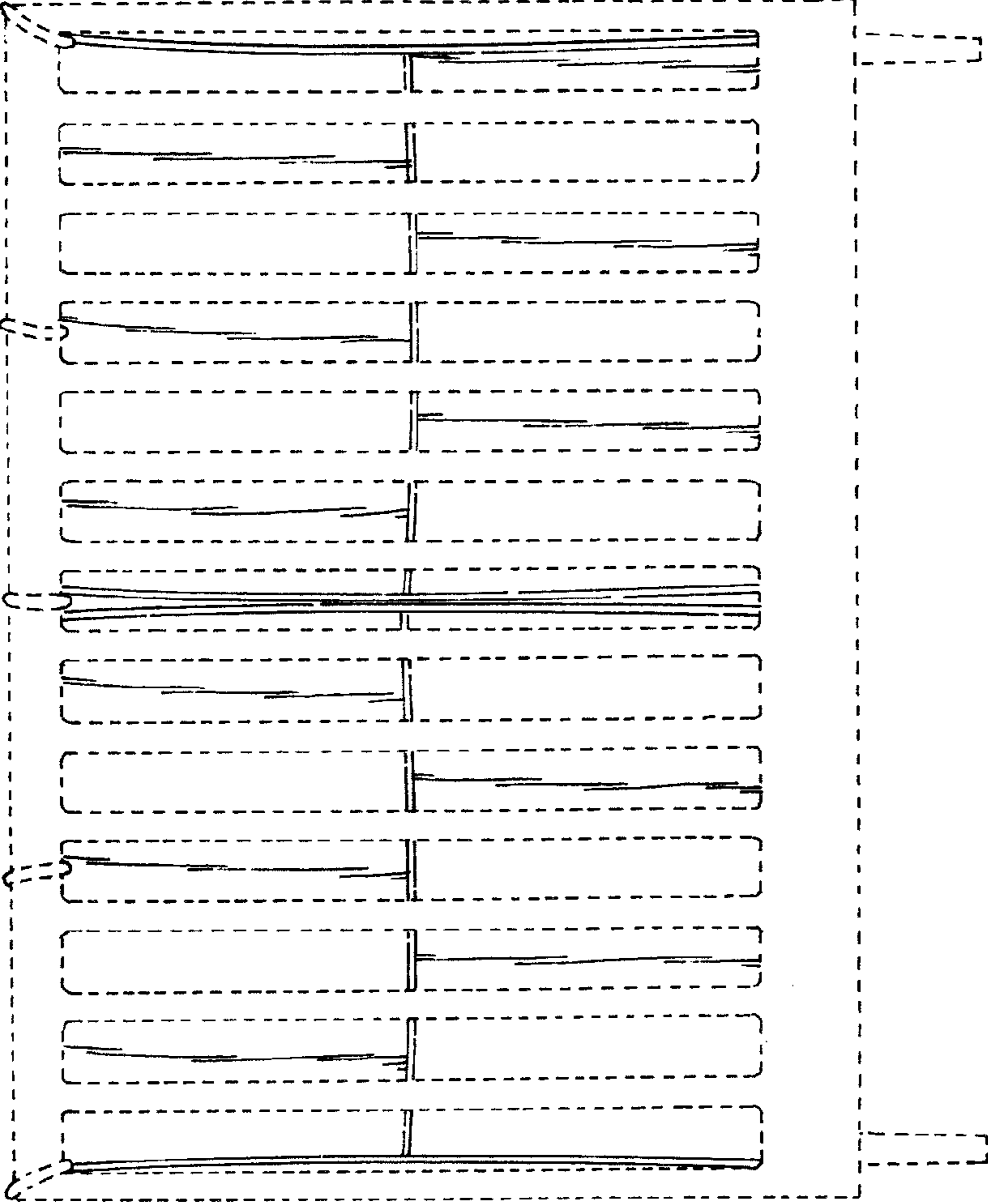


FIG. 5

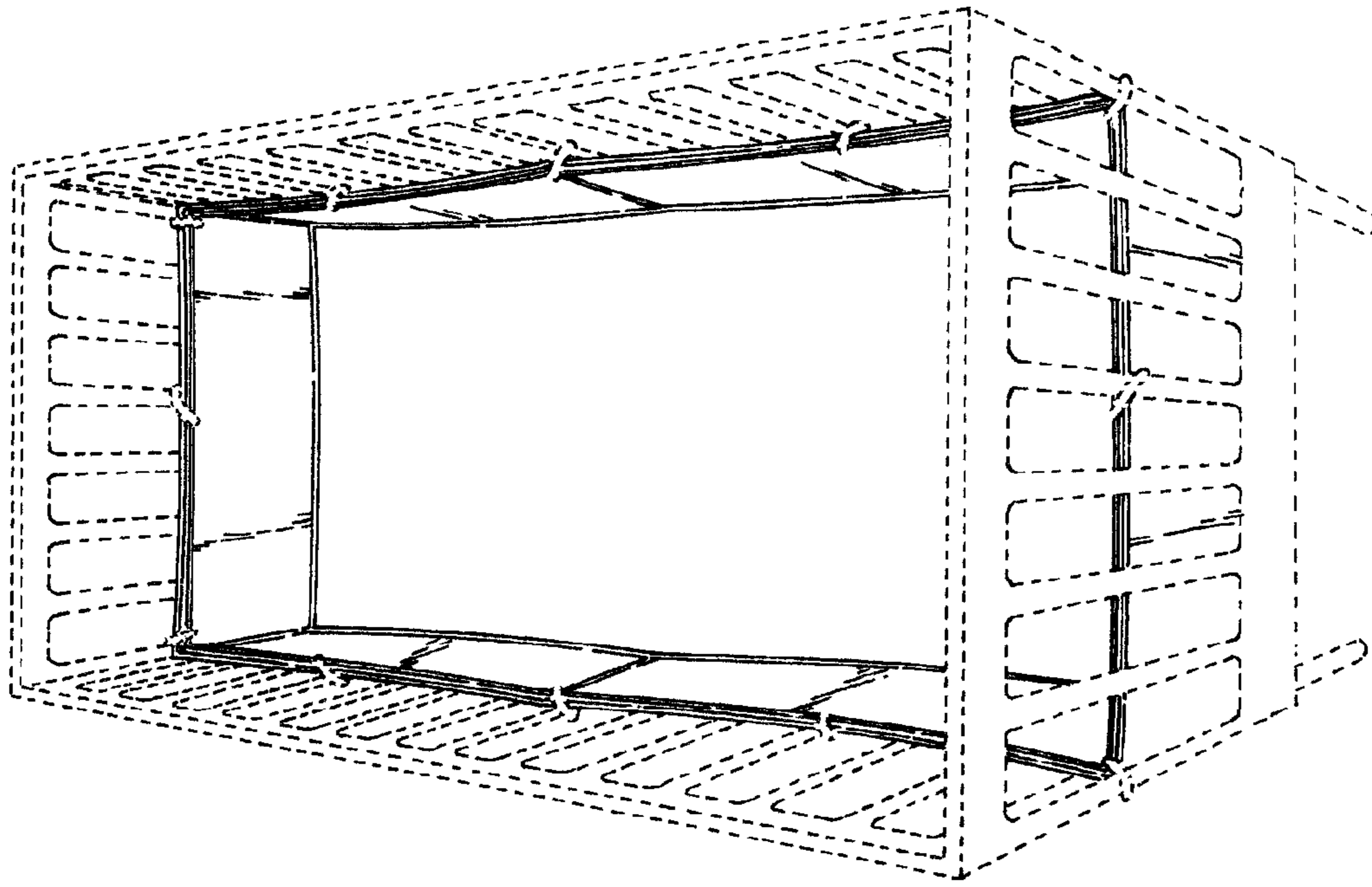


FIG. 8

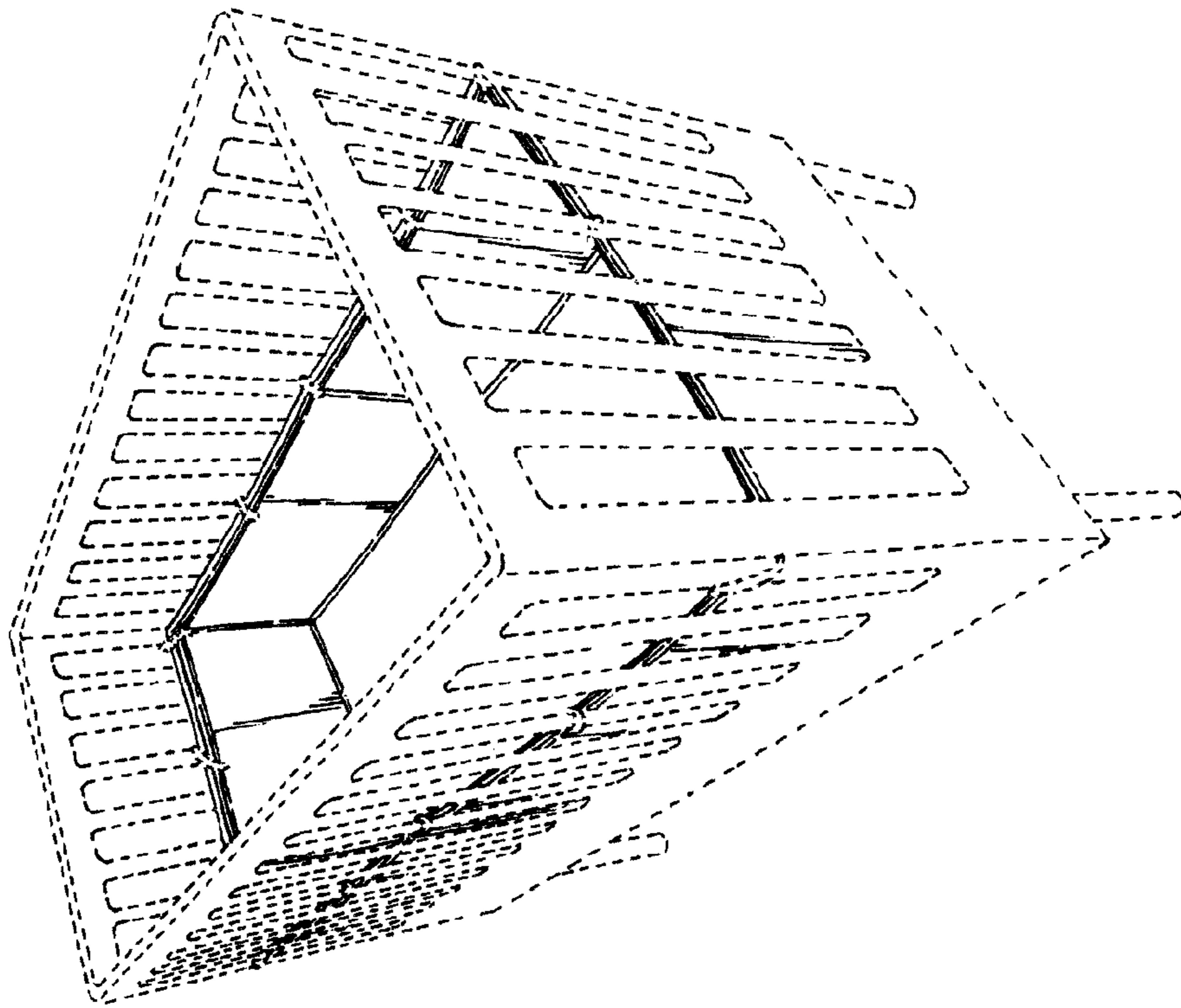


FIG. 7

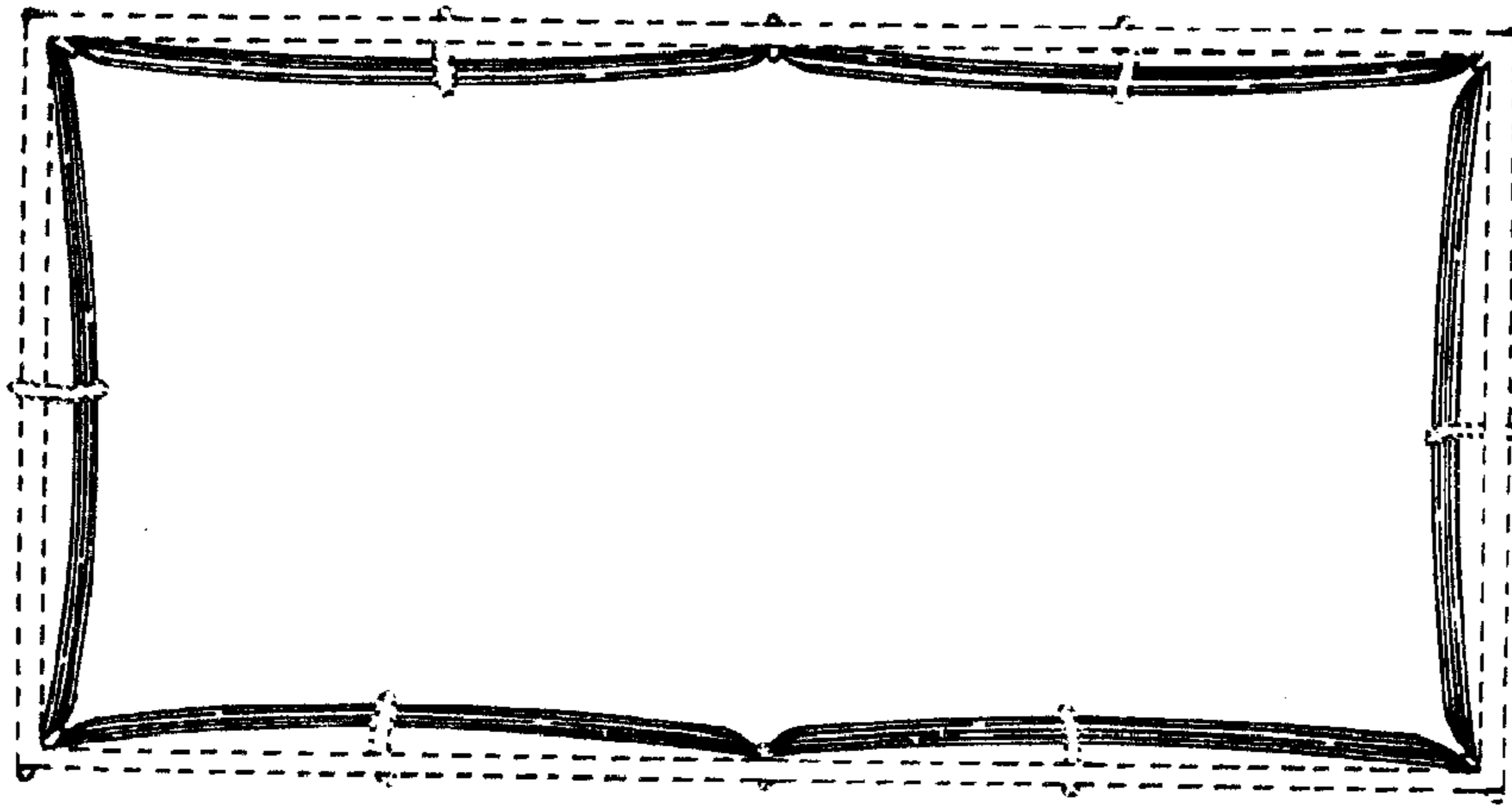


FIG. 10

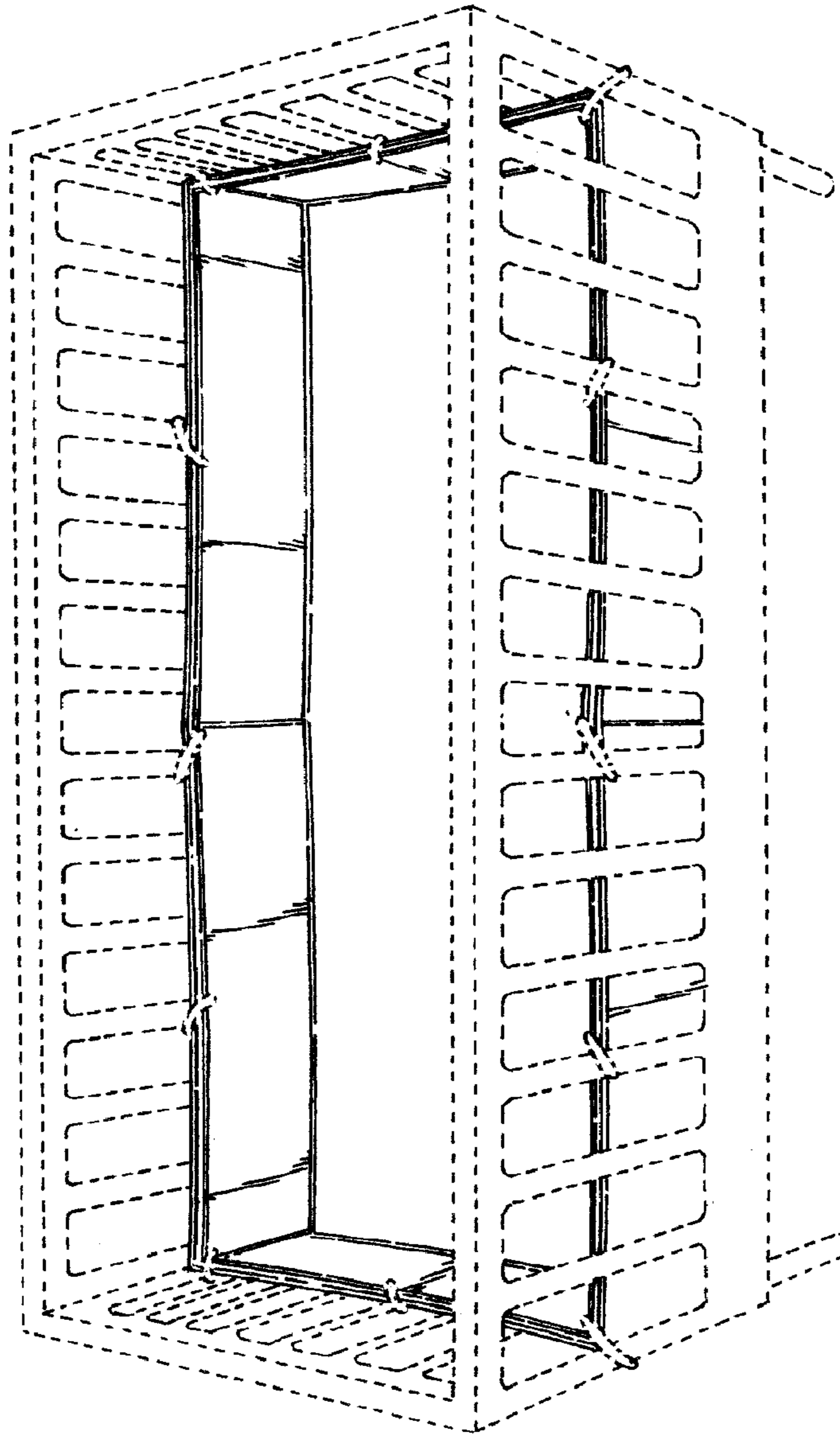


FIG. 9

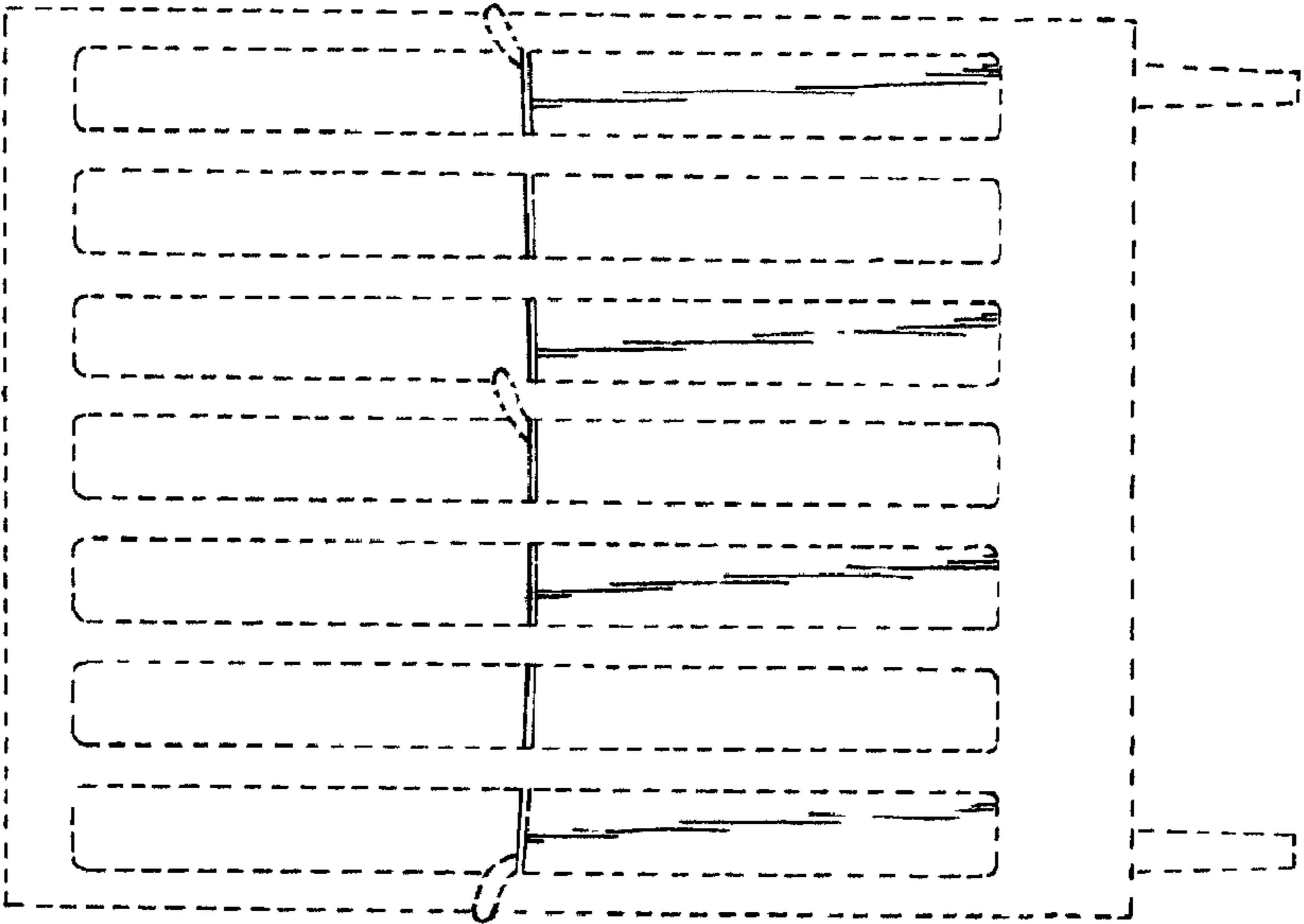


FIG. 11

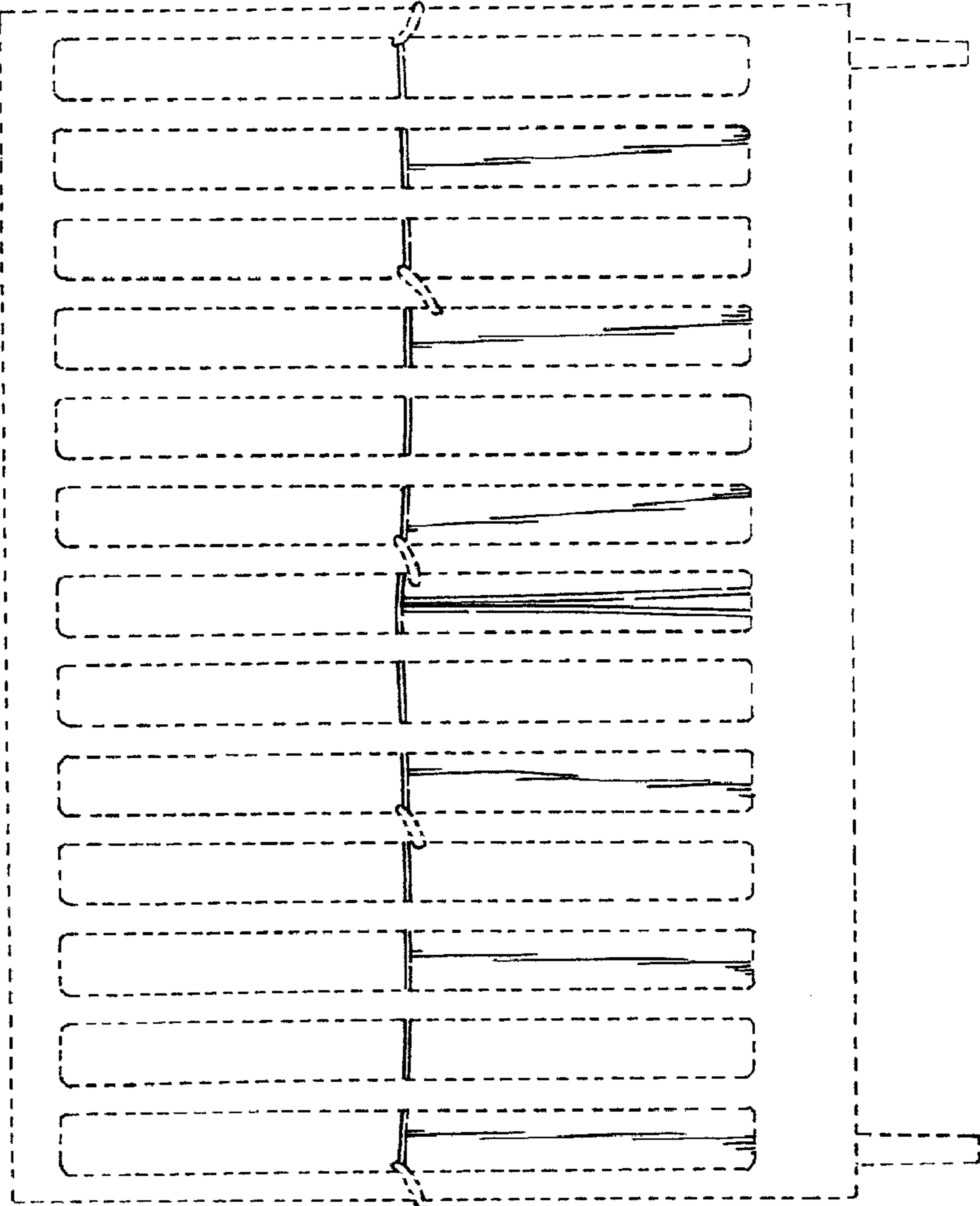


FIG. 12

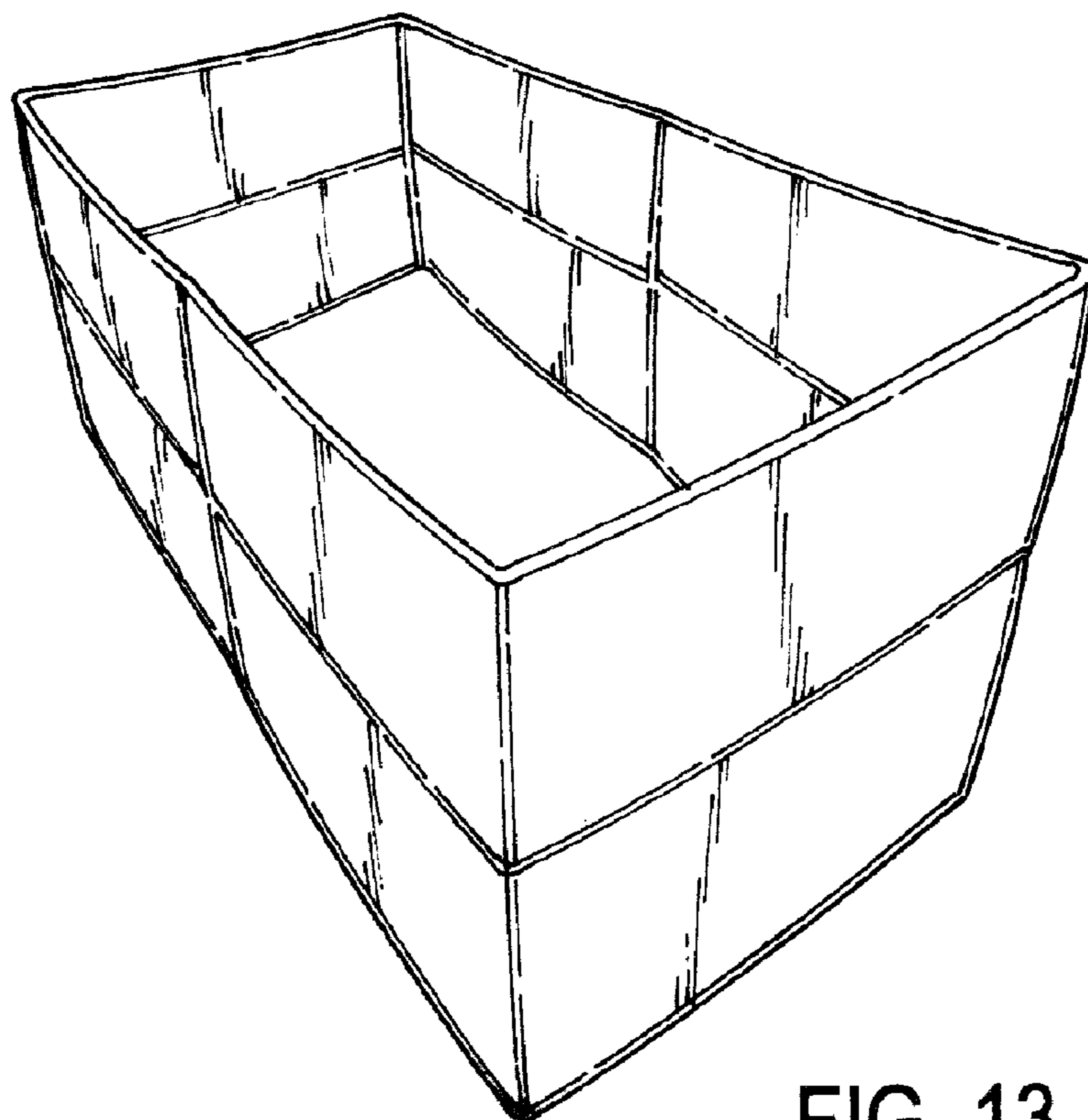


FIG. 13

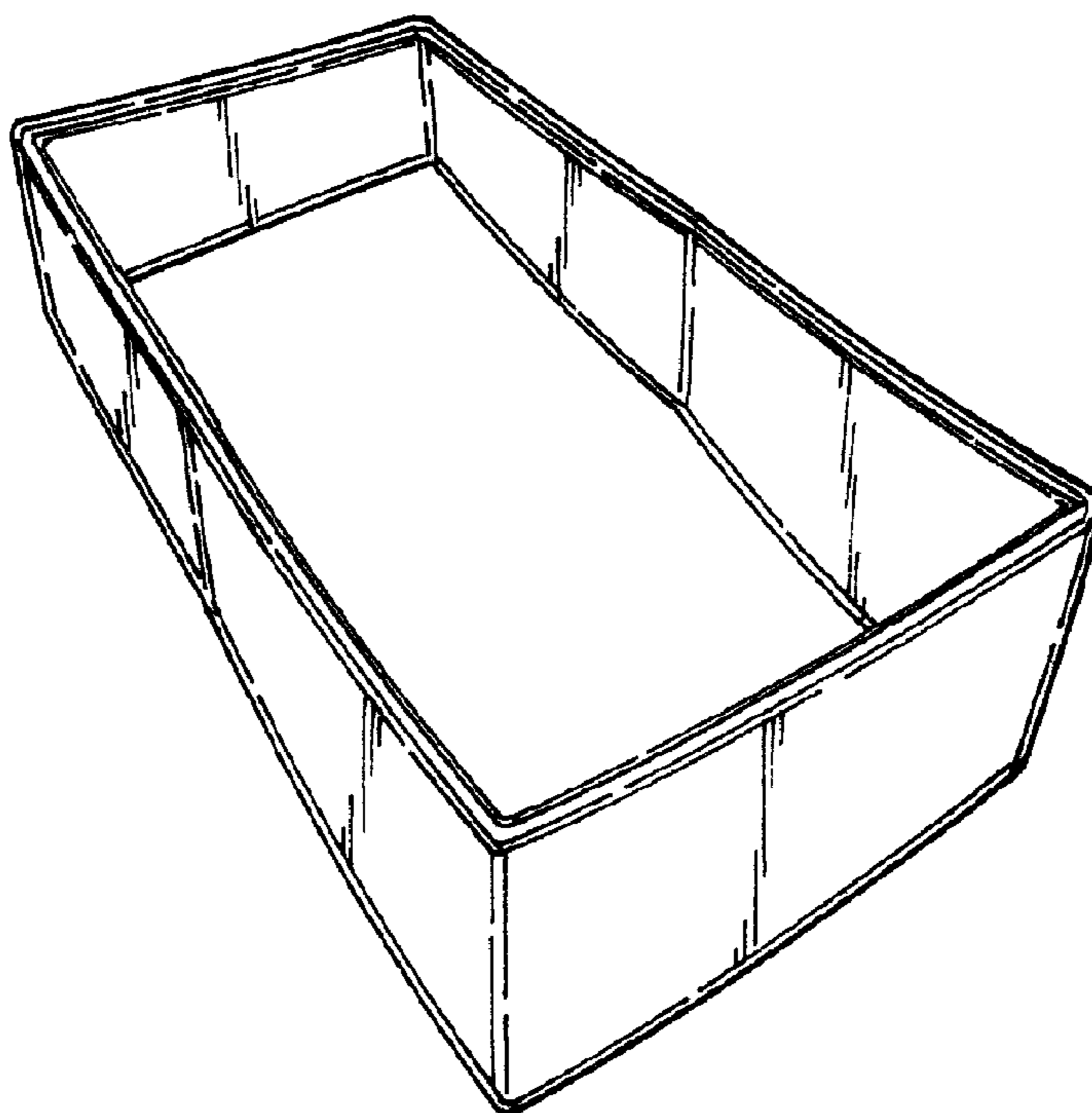


FIG. 14

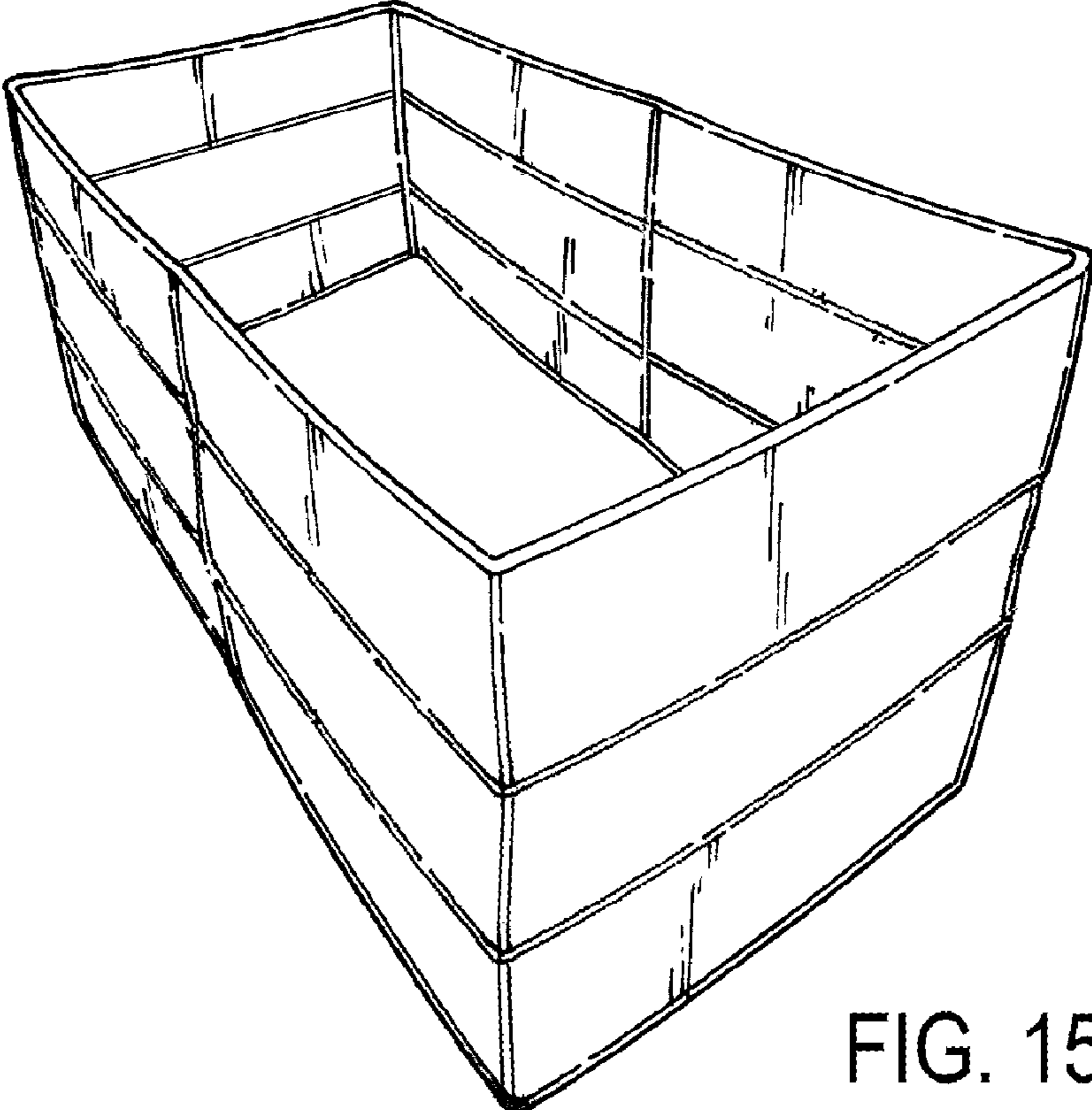


FIG. 15

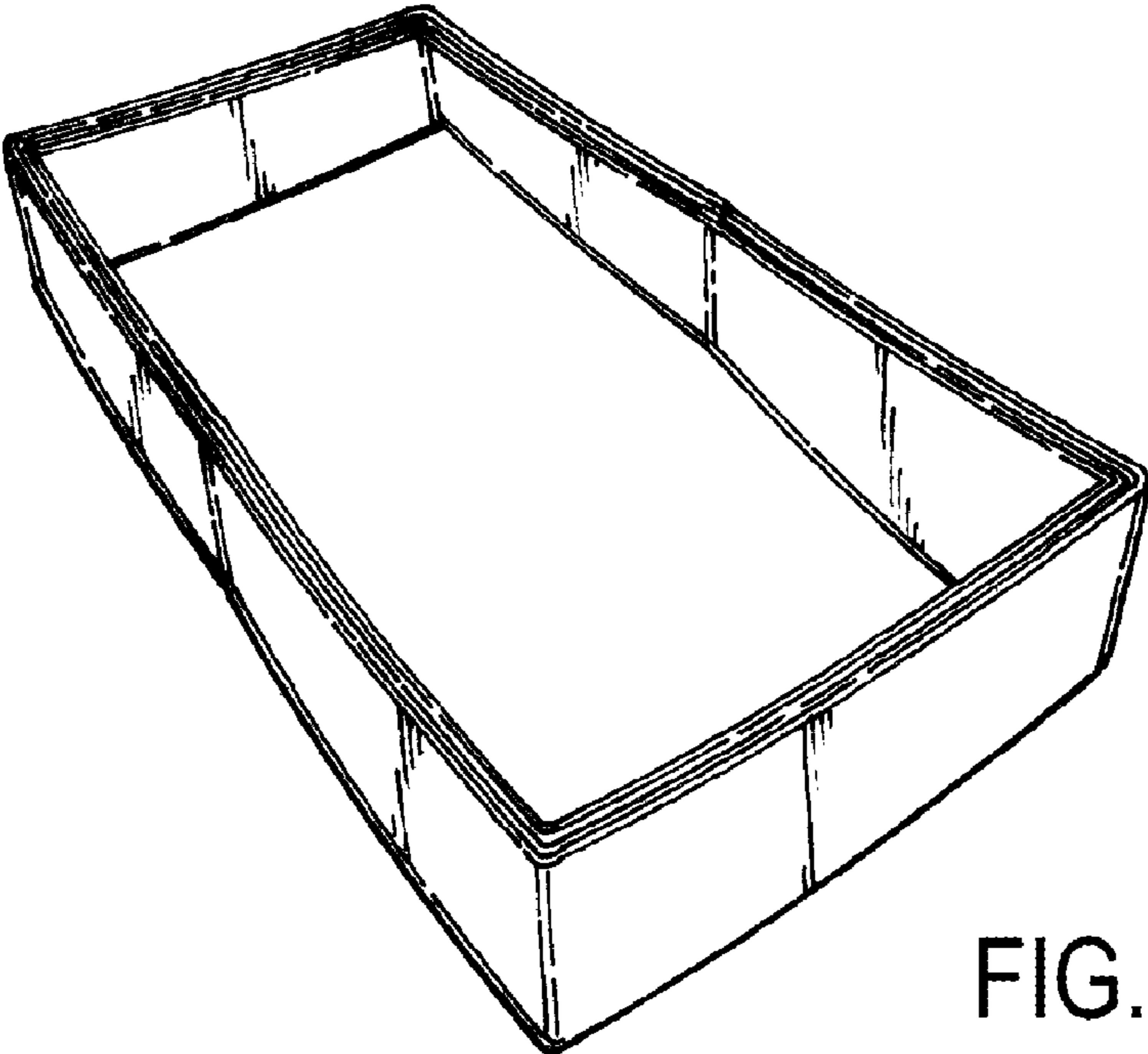


FIG. 16

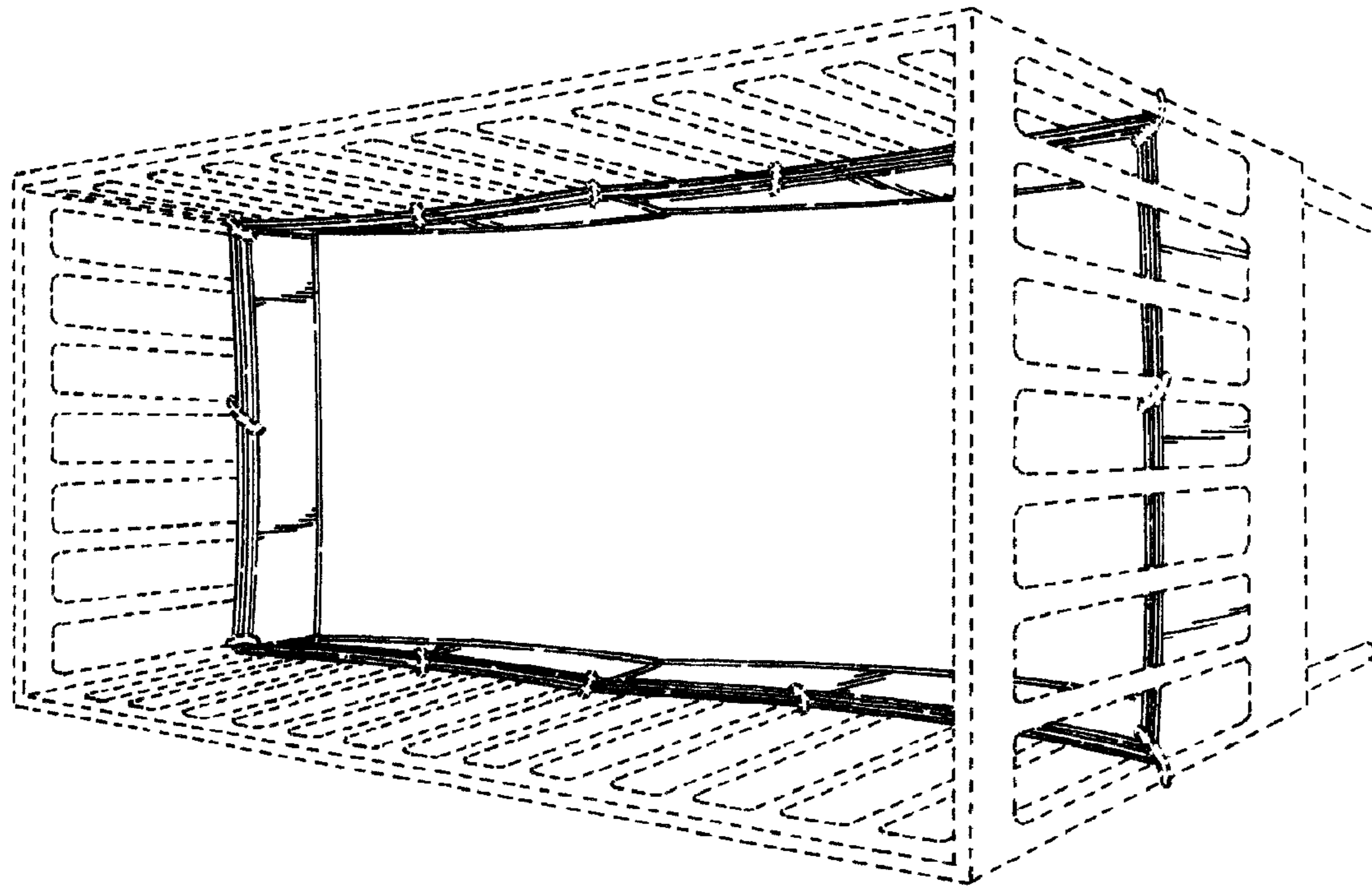


FIG. 18

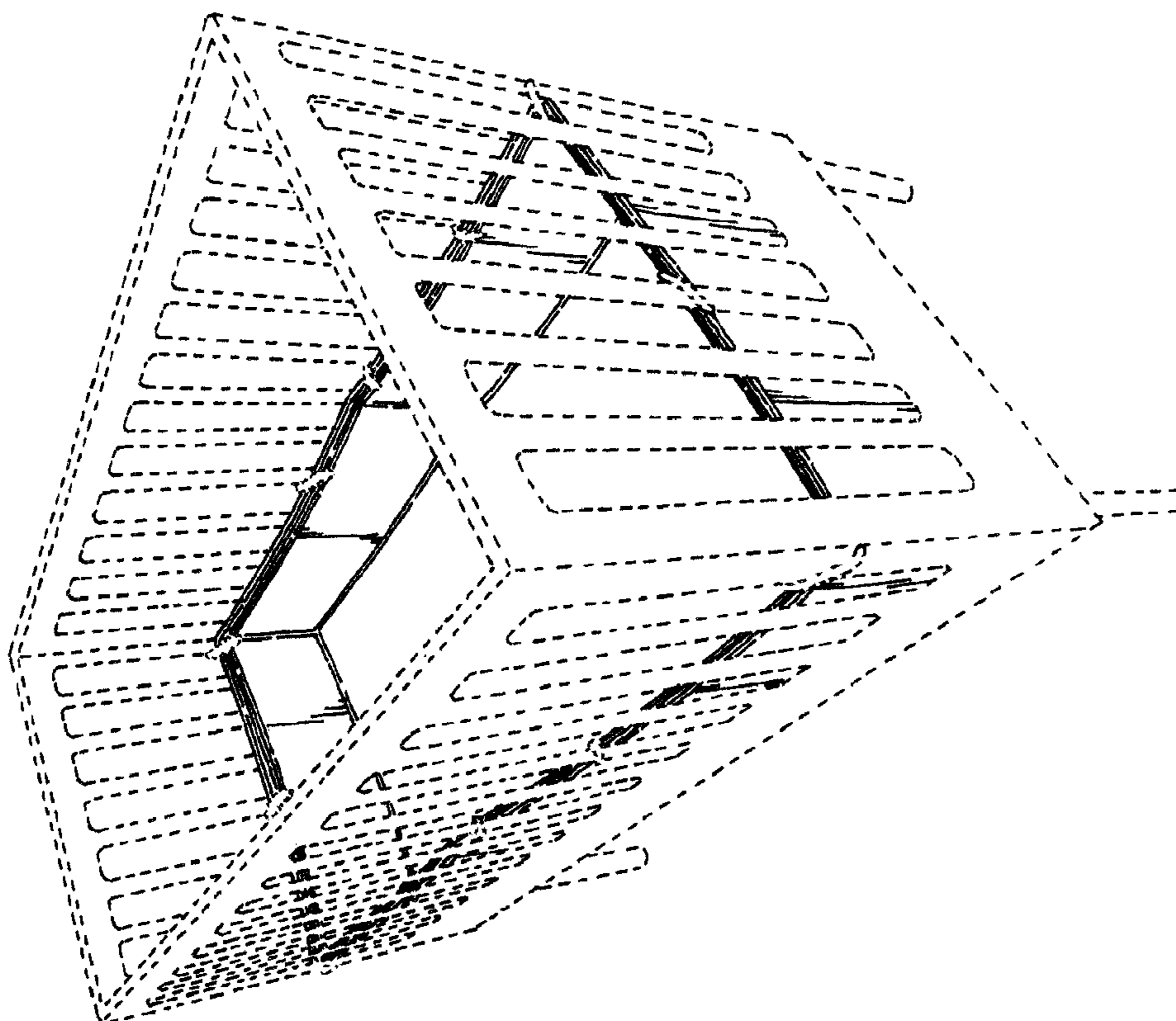


FIG. 17

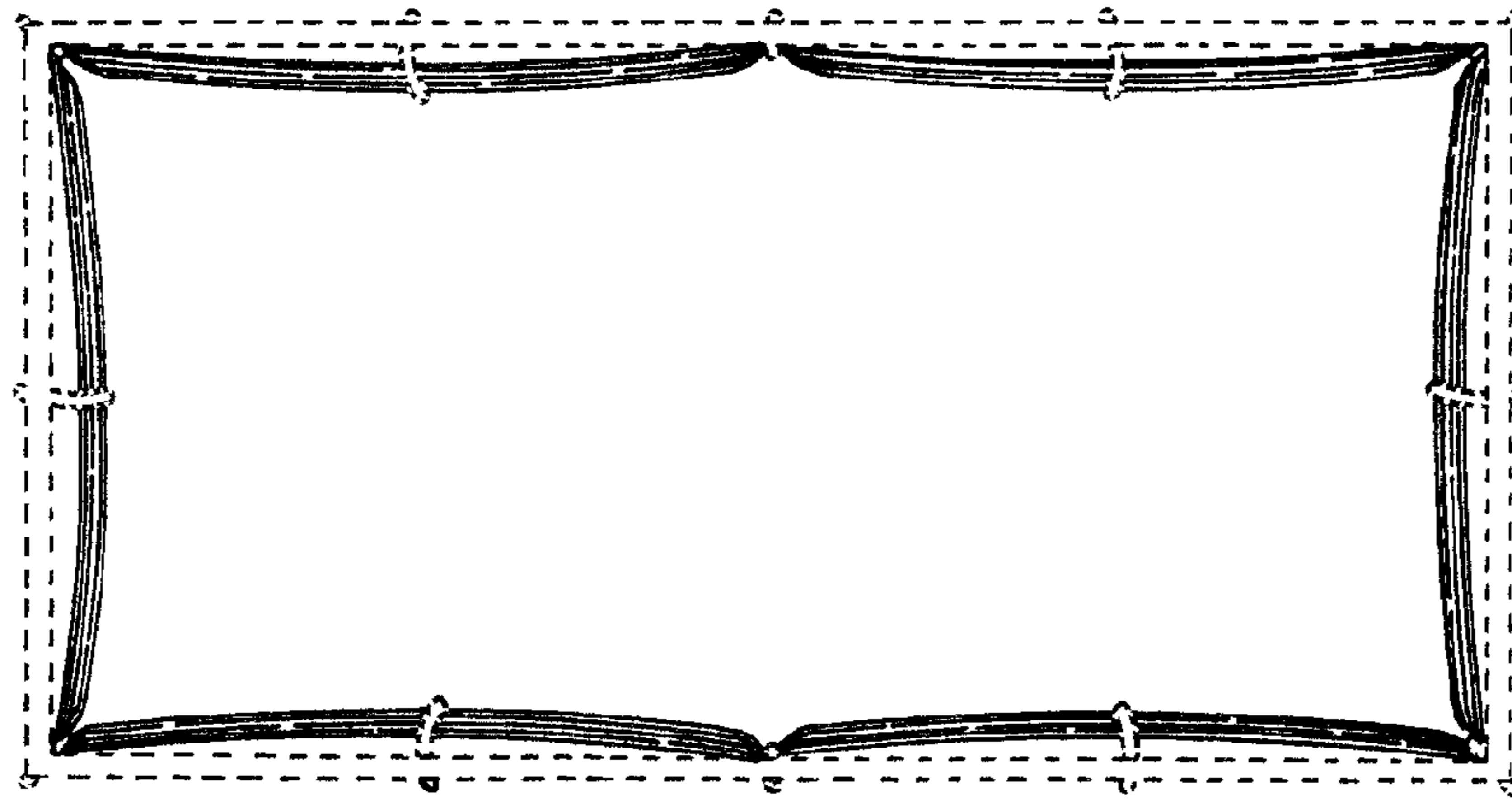


FIG. 20

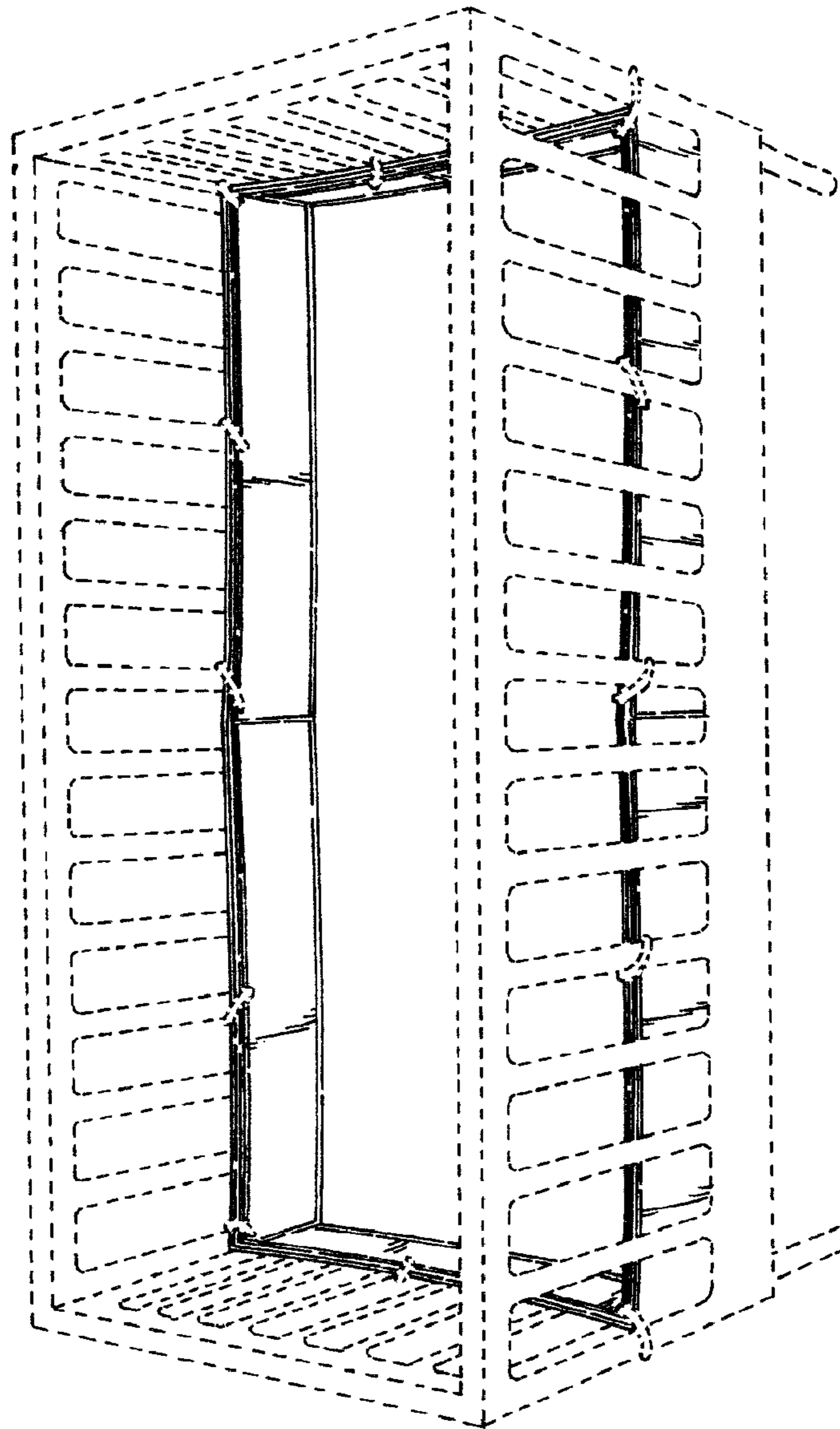


FIG. 19

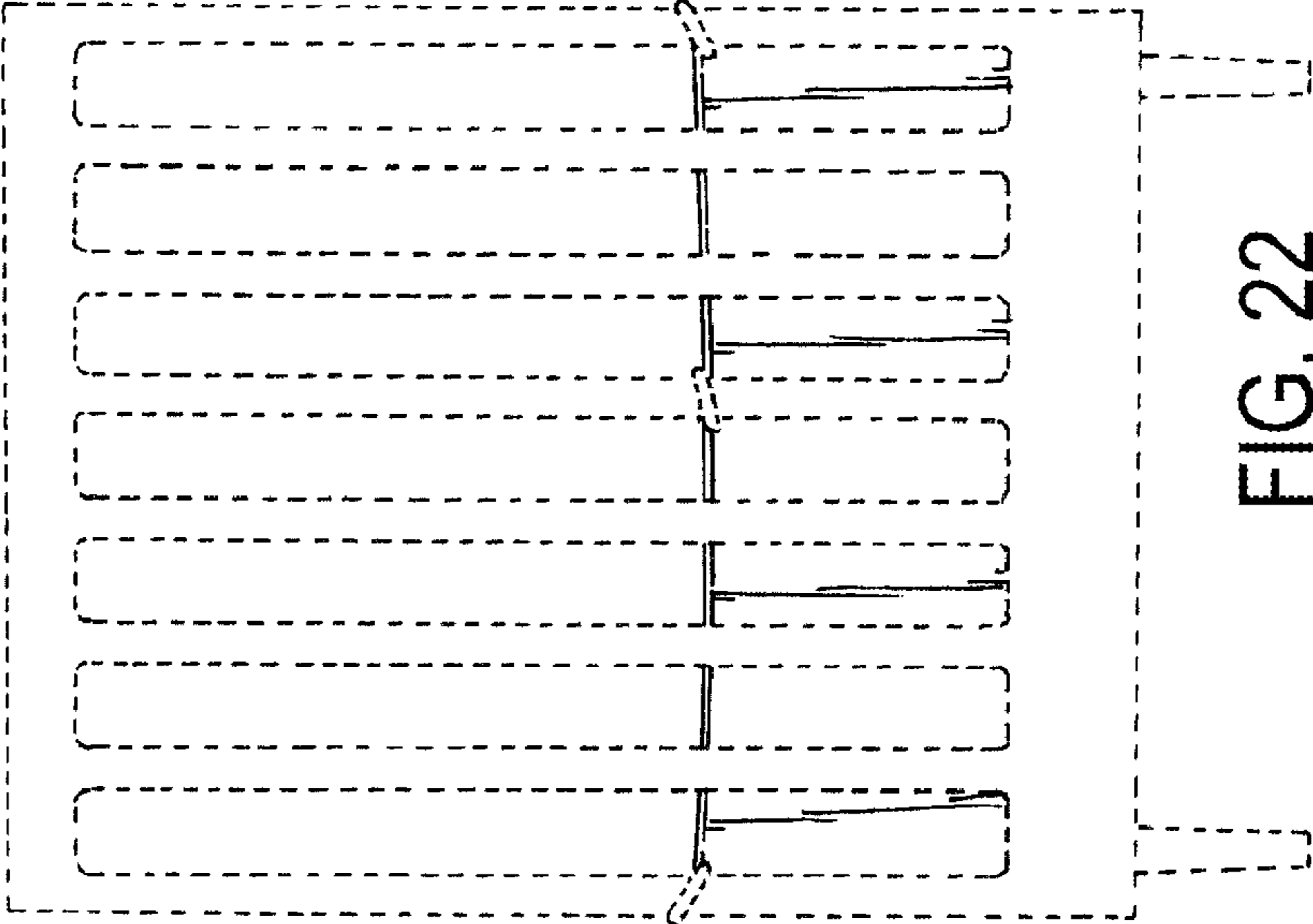


FIG. 22

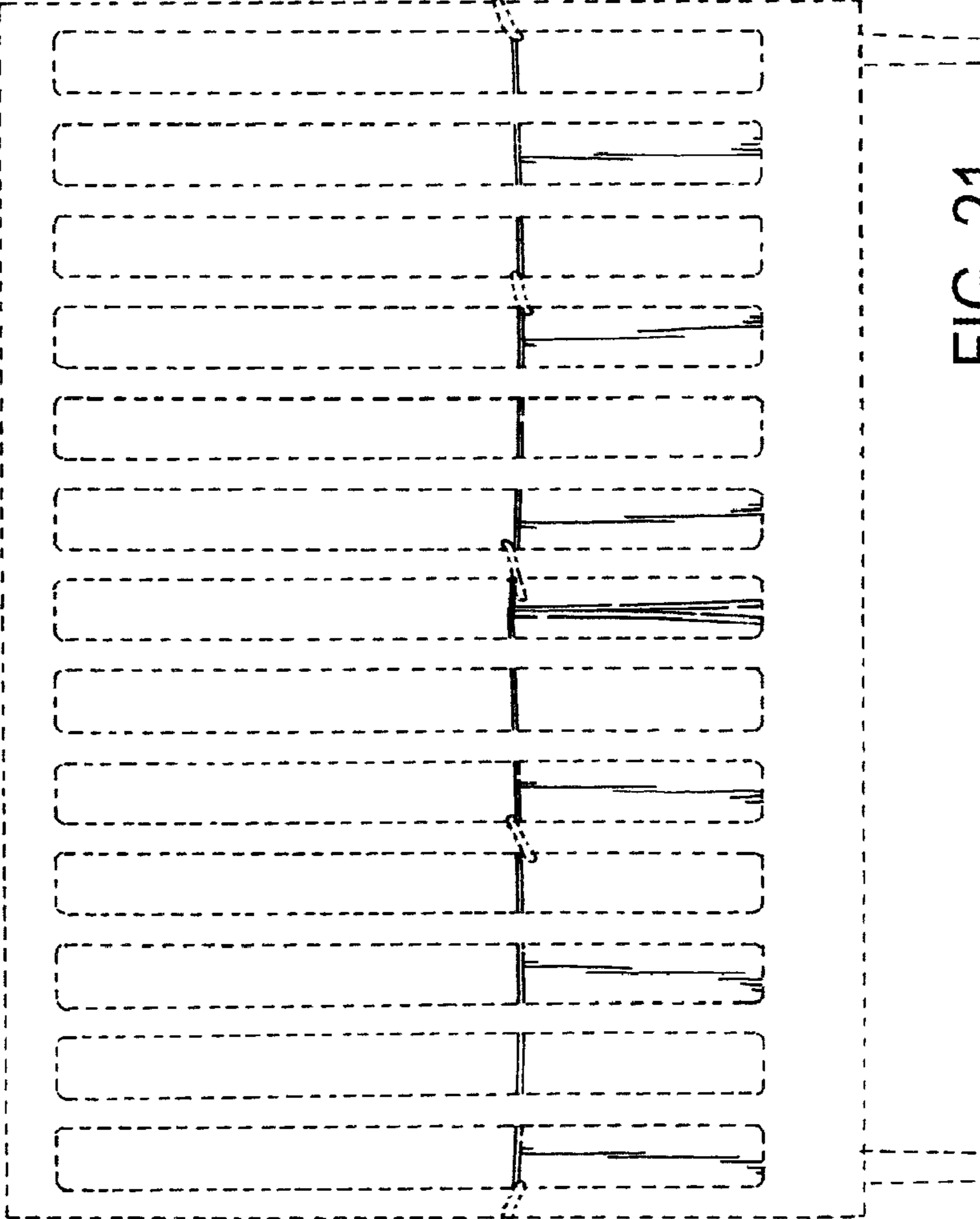


FIG. 21