



US00D604981S

(12) **United States Design Patent**
Frank et al.

(10) **Patent No.:** **US D604,981 S**
(45) **Date of Patent:** **** Dec. 1, 2009**

(54) **MIRACLE SHELF**

(76) Inventors: **Ernest Frank**, 1762 Crown Point Rd.,
Unit 536, Lot A9, West Deptford, NJ
(US) 08086; **Leslie A. Frank**, 1762
Crown Point Rd., Unit 536, Lot A9, West
Deptford, NJ (US) 08086

(**) Term: **14 Years**

(21) Appl. No.: **29/315,853**

(22) Filed: **Jul. 31, 2009**

(51) **LOC (9) Cl.** **06-04**

(52) **U.S. Cl.** **D6/574**

(58) **Field of Classification Search** D6/518-524,
D6/548-550, 574; D8/300, 303, 315-321,
D8/349, 354, 363, 373, 380; 108/28-29;
211/13.1, 16, 60.1, 100, 86.01, 87.01, 88.01,
211/88.04, 105.1-105.2, 123, 182, 181.1;
248/176, 176.1, 251, 302, 309.1; 16/110.1,
16/412, 415; 242/570, 590, 595-598

See application file for complete search history.

(56) **References Cited**

U.S. PATENT DOCUMENTS

1,309,965 A 7/1919 Schwab
1,899,480 A 2/1933 Ravlin

2,142,263 A 1/1939 Bentz
4,893,363 A 1/1990 Huff
D314,486 S * 2/1991 Day D6/574
D457,027 S * 5/2002 Muller et al. D6/574
D549,026 S * 8/2007 Parshad D6/574
D588,381 S * 3/2009 Lowenhielm D6/574

* cited by examiner

Primary Examiner—Brian N Vinson
(74) *Attorney, Agent, or Firm*—Paul R. Martin

(57) **CLAIM**

The ornamental design for a miracle shelf, as shown and described:

DESCRIPTION

FIG. 1 is a perspective view of the miracle shelf of this invention.

FIG. 2 is a top plan view of the shelf shown in FIG. 1.

FIG. 3 is a front elevational view of the shelf shown in FIG. 1.

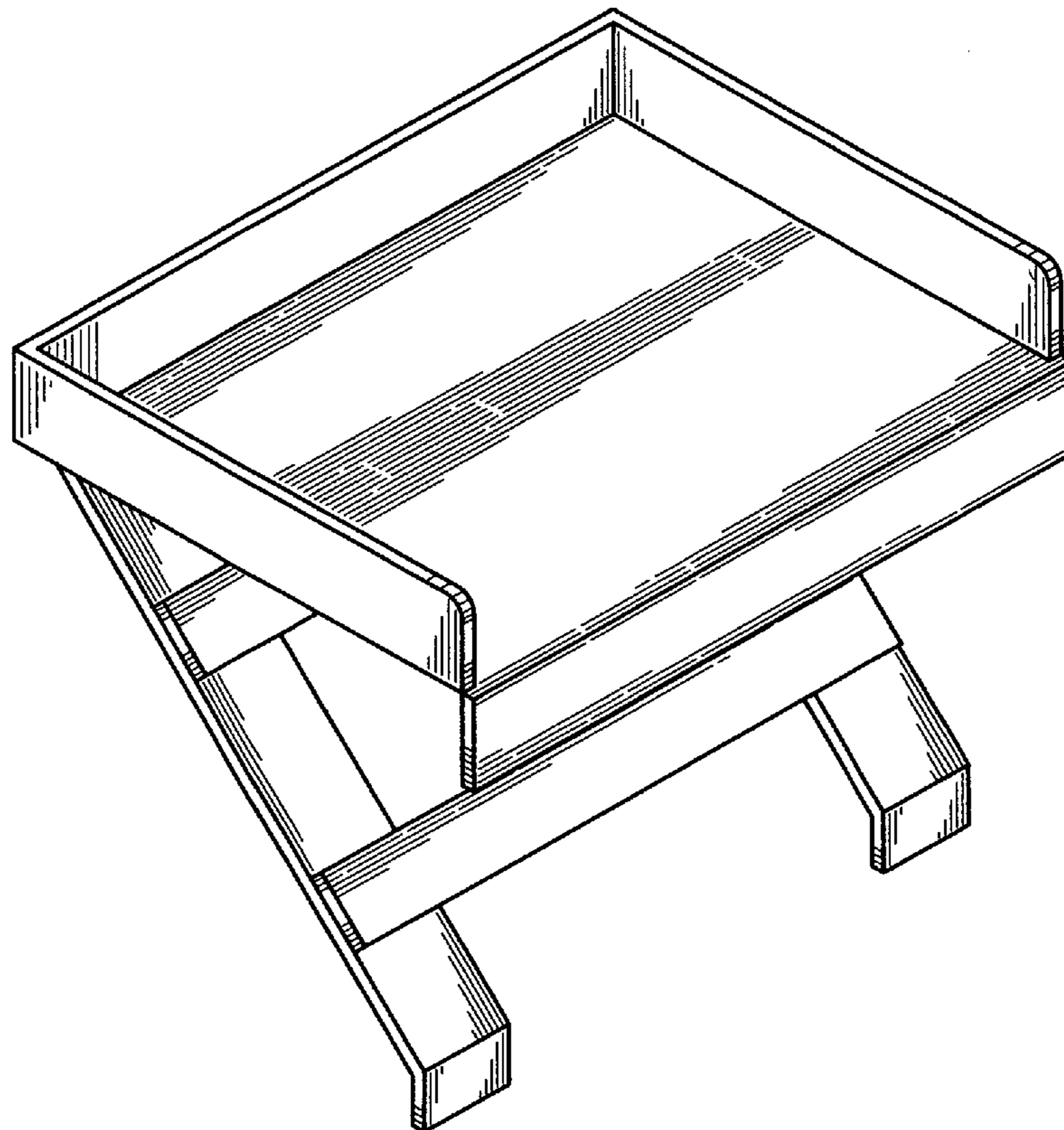
FIG. 4 is a bottom plan view of the shelf shown in FIG. 1.

FIG. 5 is a rear elevational view of the shelf shown in FIG. 1.

FIG. 6 is a left side view of the shelf shown in FIG. 1; and,

FIG. 7 is a right side view of the shelf shown in FIG. 1.

1 Claim, 4 Drawing Sheets



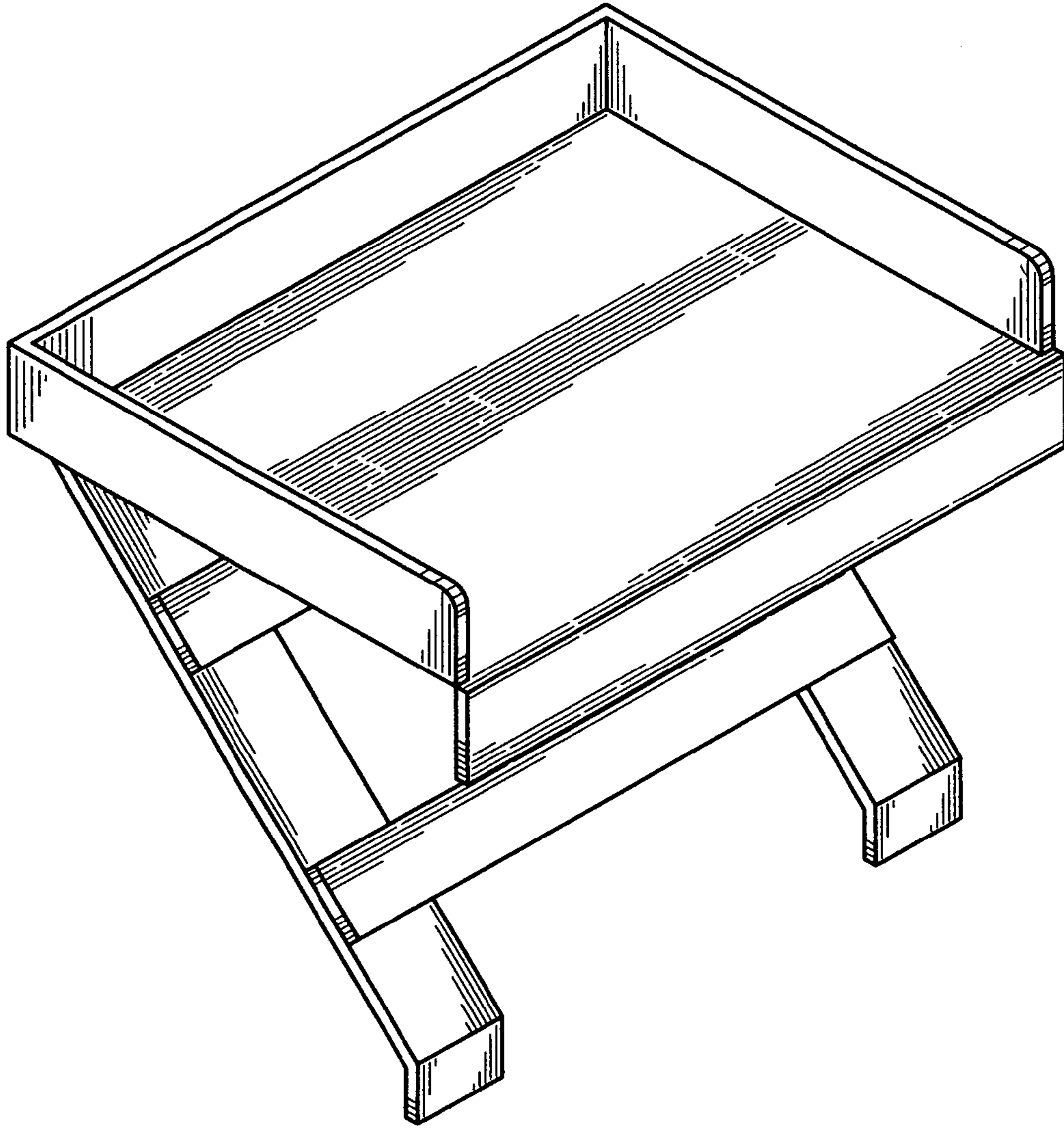


FIG. 1

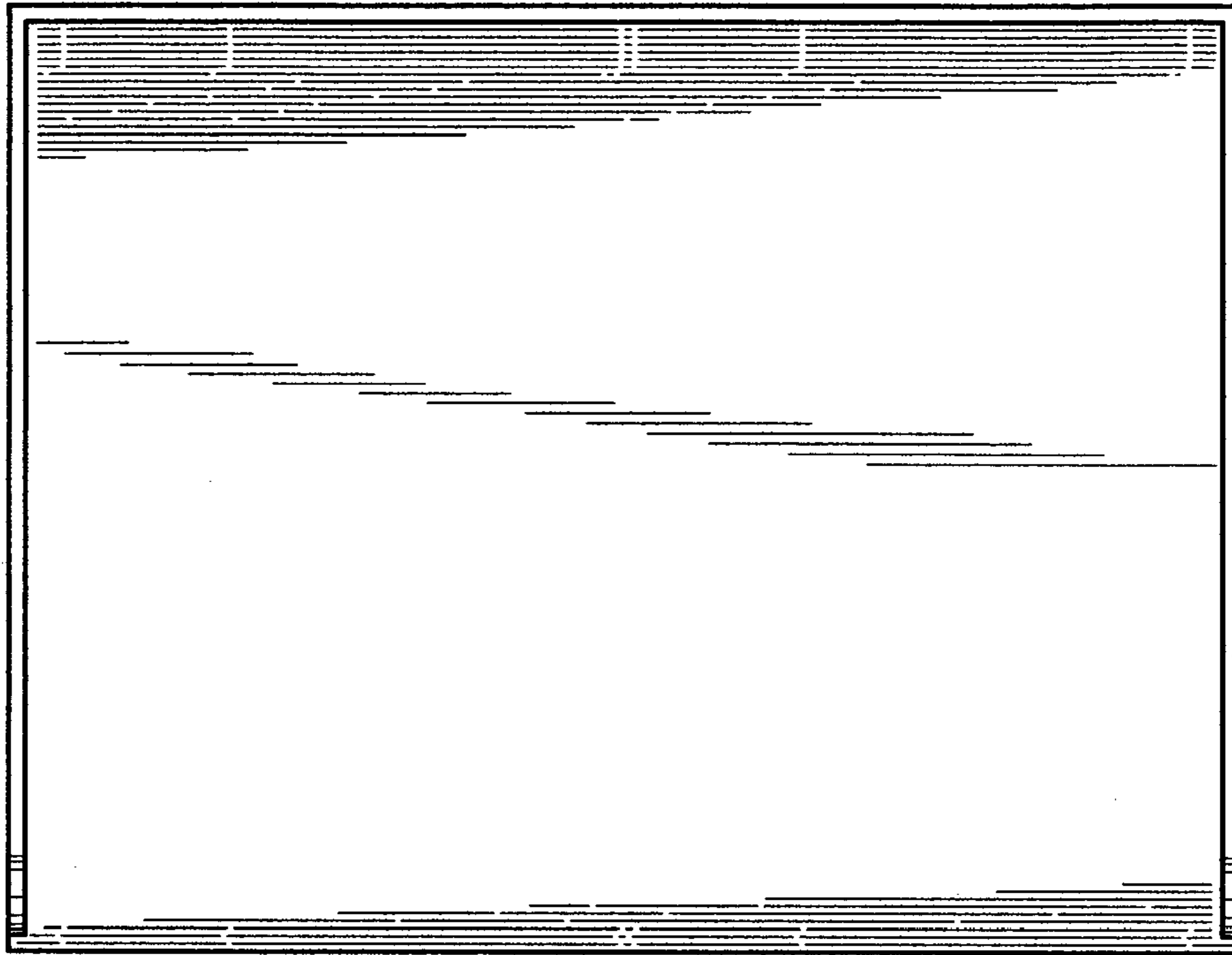


FIG. 2

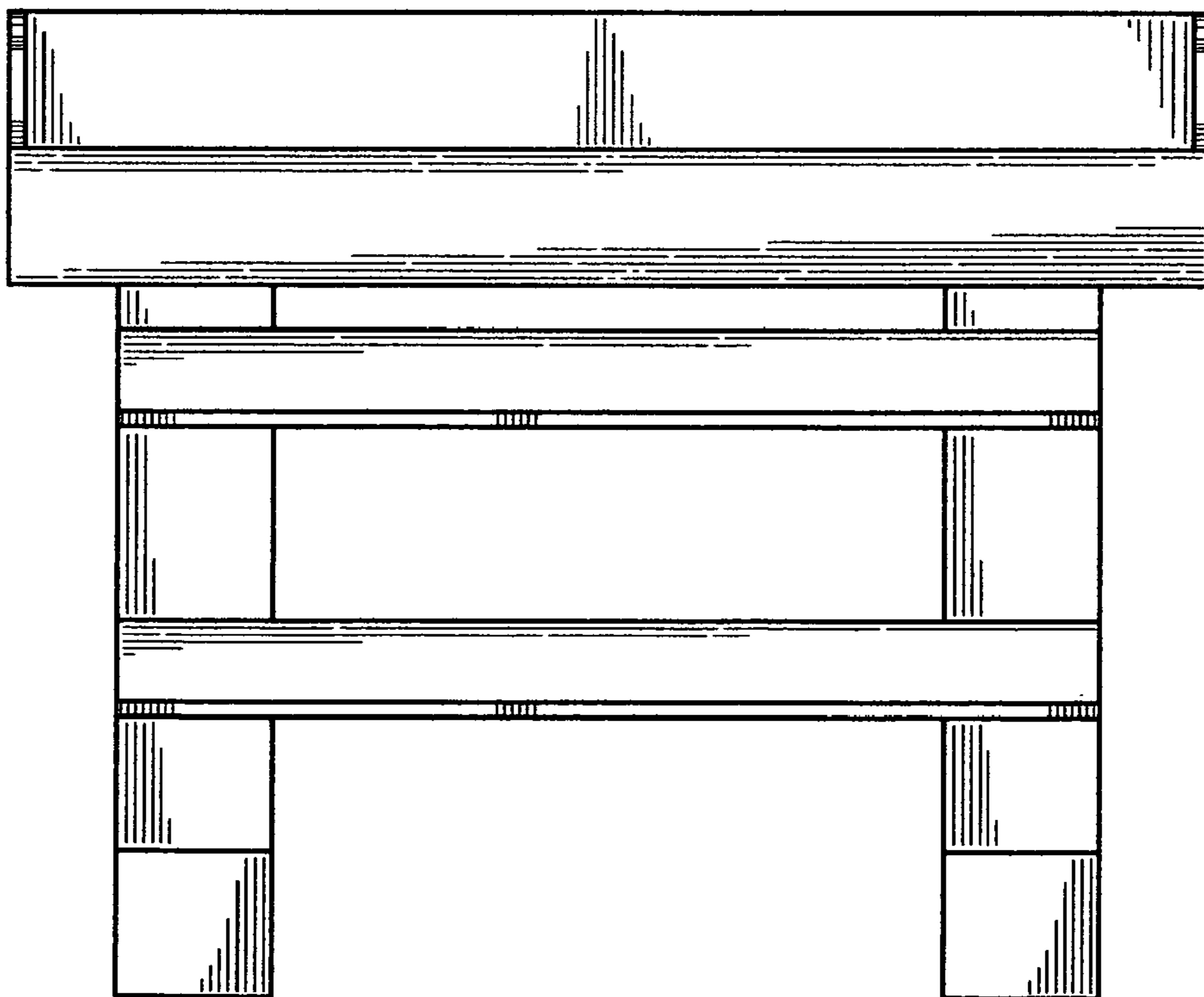


FIG. 3

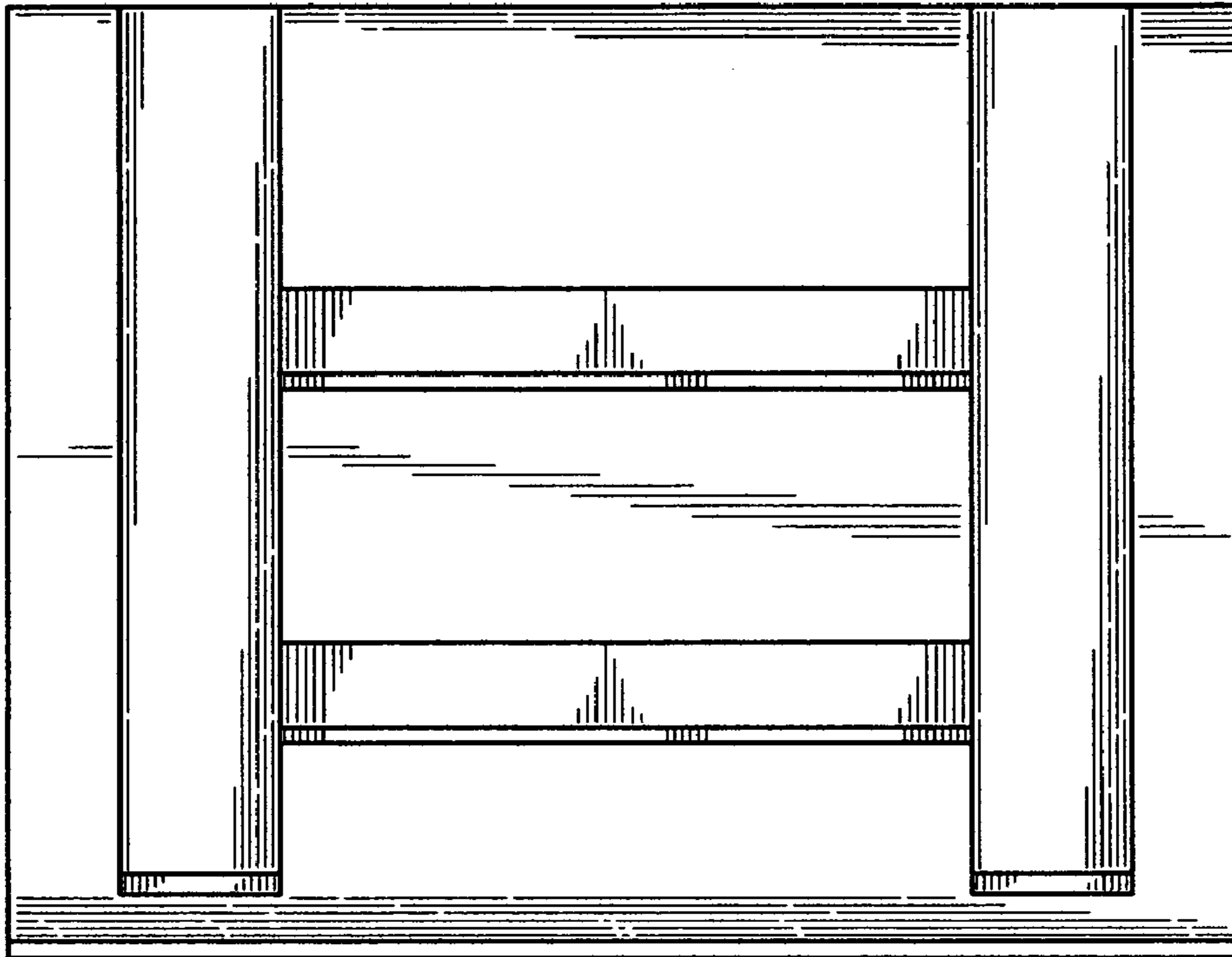


FIG. 4

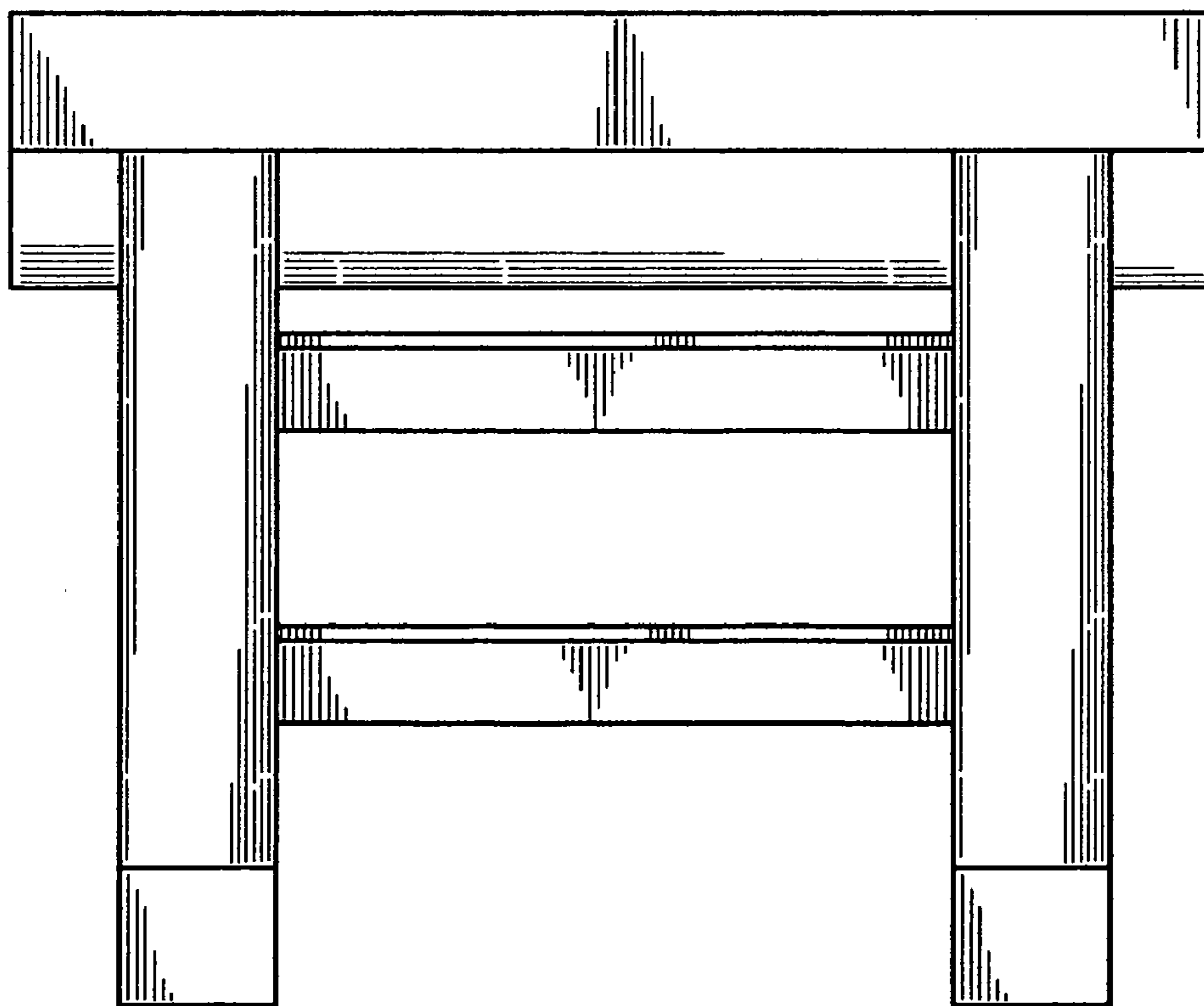


FIG. 5

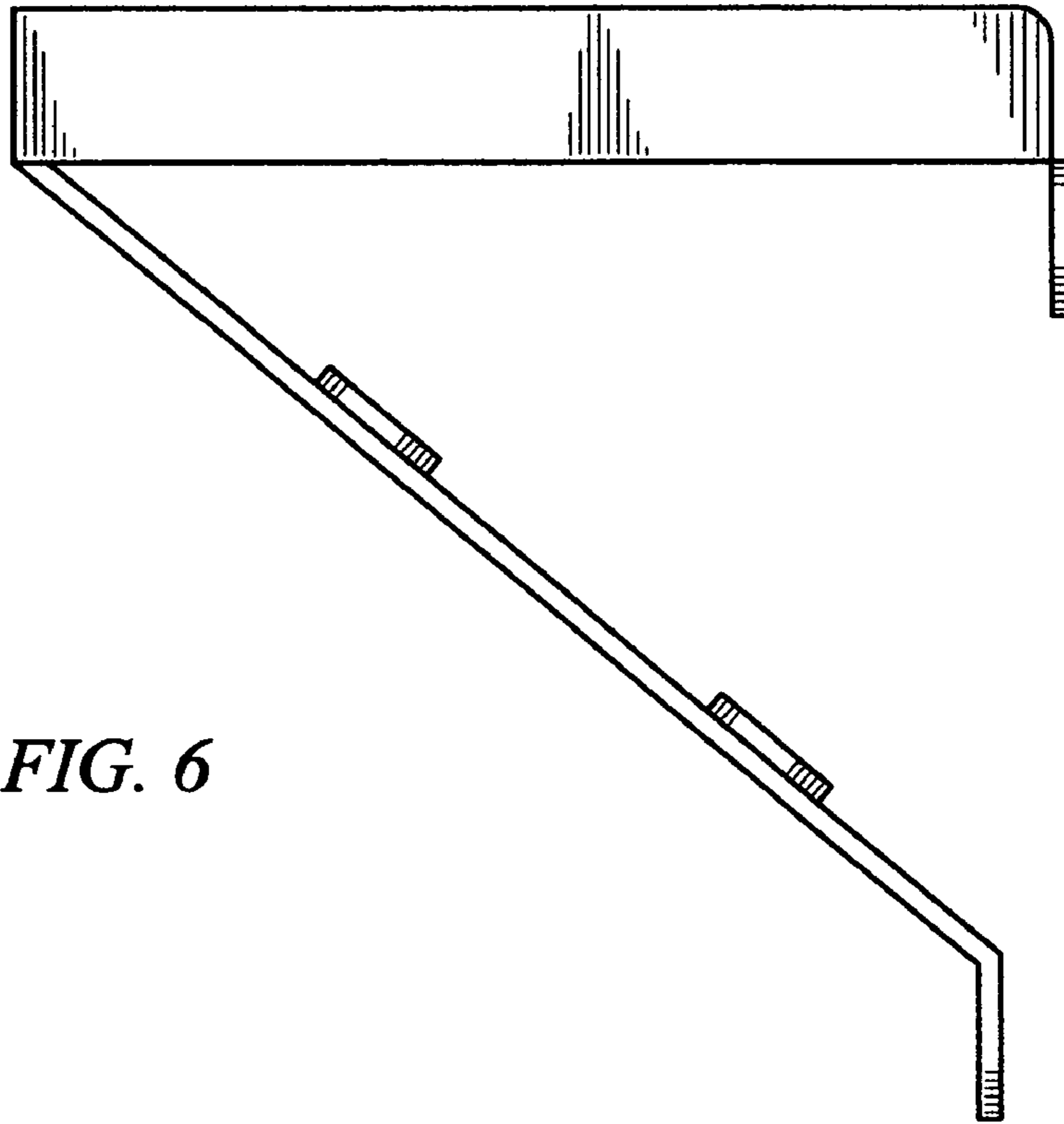


FIG. 6

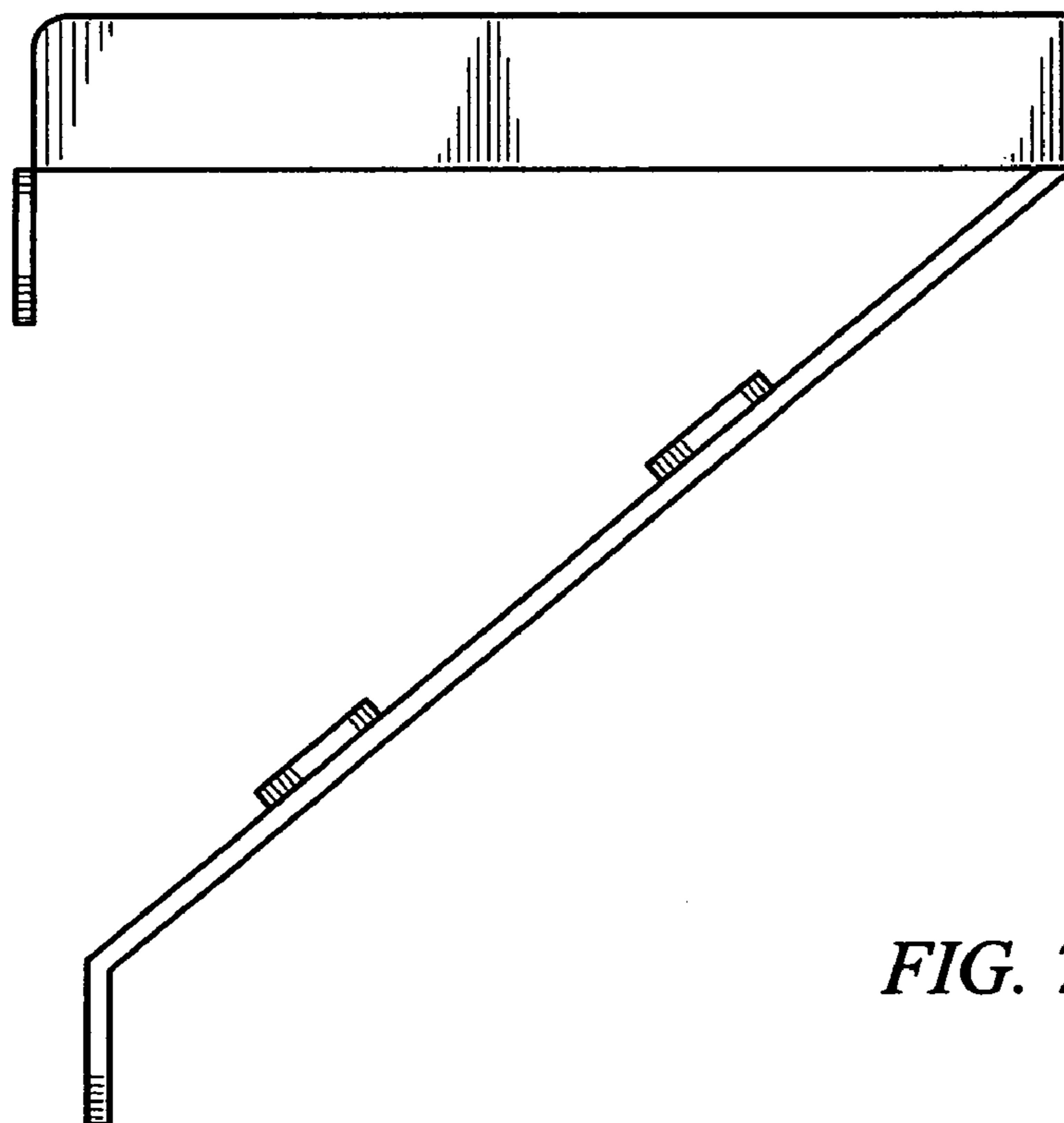


FIG. 7