



US00D604978S

(12) **United States Design Patent**
Shaha et al.

(10) **Patent No.:** **US D604,978 S**
(45) **Date of Patent:** **** Dec. 1, 2009**

(54) **WALL MOUNTABLE RAIL SYSTEM**

(75) Inventors: **Kevin Bruce Shaha**, Dover, ID (US);
Robert W. Sheldon, Winnetka, IL (US);
Gregory J Foster, Chicago, IL (US);
Ronald M Llanes, Lisle, IL (US)

(73) Assignee: **Illinois Tool Works Inc.**, Glenview, IL (US)

(**) Term: **14 Years**

(21) Appl. No.: **29/305,211**

(22) Filed: **Mar. 14, 2008**

(51) **LOC (9) Cl.** **06-04**

(52) **U.S. Cl.** **D6/553**

(58) **Field of Classification Search** D6/509,
D6/553; 211/94.01, 100, 123, 87.01, 85.7,
211/70.6, 18, 105.1, 85.3, 71.01; 248/231.81,
248/220.43

See application file for complete search history.

(56) **References Cited**

U.S. PATENT DOCUMENTS

D245,652 S *	9/1977	Crysdale	D6/553
4,693,381 A	9/1987	Lodge		
4,869,378 A	9/1989	Miller		
5,048,698 A	9/1991	Konrad		
5,332,108 A *	7/1994	Blass	211/90.02
5,337,987 A	8/1994	Sawatsky		
D353,295 S *	12/1994	Bodine	D25/123
5,379,976 A	1/1995	DeGirolamo		
5,429,252 A	7/1995	Liu		
D393,164 S *	4/1998	Russell et al.	D6/509
5,775,521 A	7/1998	Tisbo		
5,897,002 A *	4/1999	Carlino	211/70.6
5,960,967 A	10/1999	Neil		
6,050,426 A	4/2000	Leurdijk		
6,119,878 A *	9/2000	Zen	211/94.01

6,152,312 A 11/2000 Nava et al.
D437,144 S * 2/2001 Fear et al. D6/397
6,299,001 B1 10/2001 Frolov et al.
6,499,608 B1 12/2002 Sterling et al.

(Continued)

Primary Examiner—Doris Clark

(74) *Attorney, Agent, or Firm*—Mark W. Croll; Christopher P. Rauch; Beem Patent Law Firm

(57) **CLAIM**

The ornamental design for a wall mountable rail system, as shown and described.

DESCRIPTION

FIG. 1 is a perspective view of a wall mountable rail system showing our new design.

FIG. 2 is a perspective view of the wall mountable rail system of FIG. 1 without end caps.

FIG. 3 is an exploded perspective view of the wall mountable rail system of FIG. 1.

FIG. 4 is a front view of the wall mountable rail system of FIG. 1.

FIG. 5 is a rear view of the wall mountable rail system of FIG. 1.

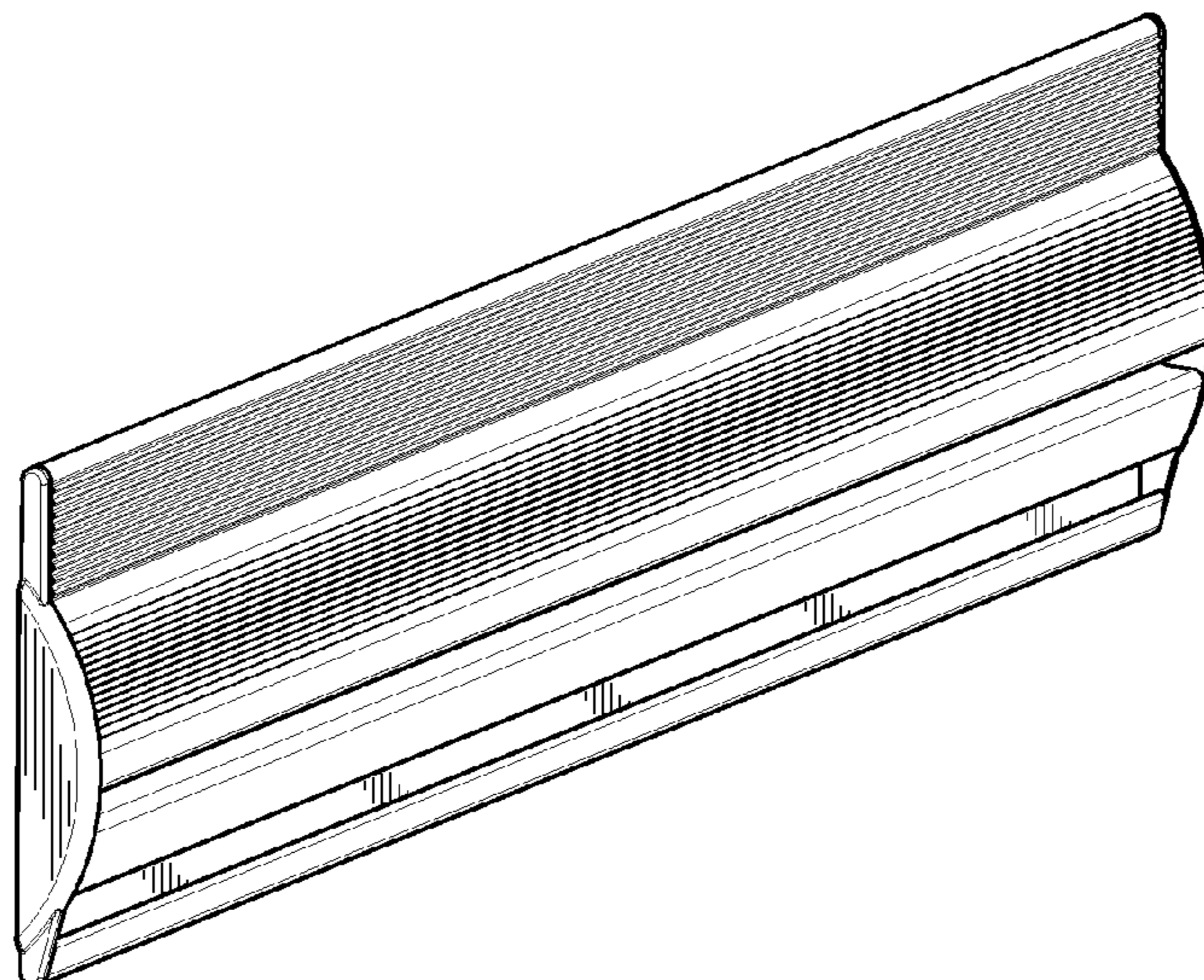
FIG. 6 is a side view of the wall mountable rail system of FIG. 1, the other side being a mirror image thereof.

FIG. 7 is a side view of the wall mountable rail system of FIG. 1 without end caps, the other side being a mirror image thereof.

FIG. 8 is a top view of the wall mountable rail system of FIG. 1; and,

FIG. 9 is a bottom view of the wall mountable rail system of FIG. 1.

1 Claim, 2 Drawing Sheets



US D604,978 S

Page 2

U.S. PATENT DOCUMENTS

D482,557 S *	11/2003	Shih	D6/553	7,137,515 B1	11/2006	Lawson et al.	
6,679,392 B1 *	1/2004	Costa	211/94.01	7,147,115 B2	12/2006	Perkins et al.	
6,698,603 B2	3/2004	Lawson et al.		7,228,977 B2	6/2007	Perkins et al.	
D498,963 S *	11/2004	Sung-Feng	D6/553	2003/0192845 A1 *	10/2003	Lawson et al.	211/94.01
D512,254 S *	12/2005	Ottens	D6/553	2005/0236544 A1	10/2005	Mancino et al.	
7,014,052 B2	3/2006	Detorre et al.		2005/0247653 A1	11/2005	Brooks	
				2006/0180561 A1	8/2006	Wisnoski et al.	

* cited by examiner

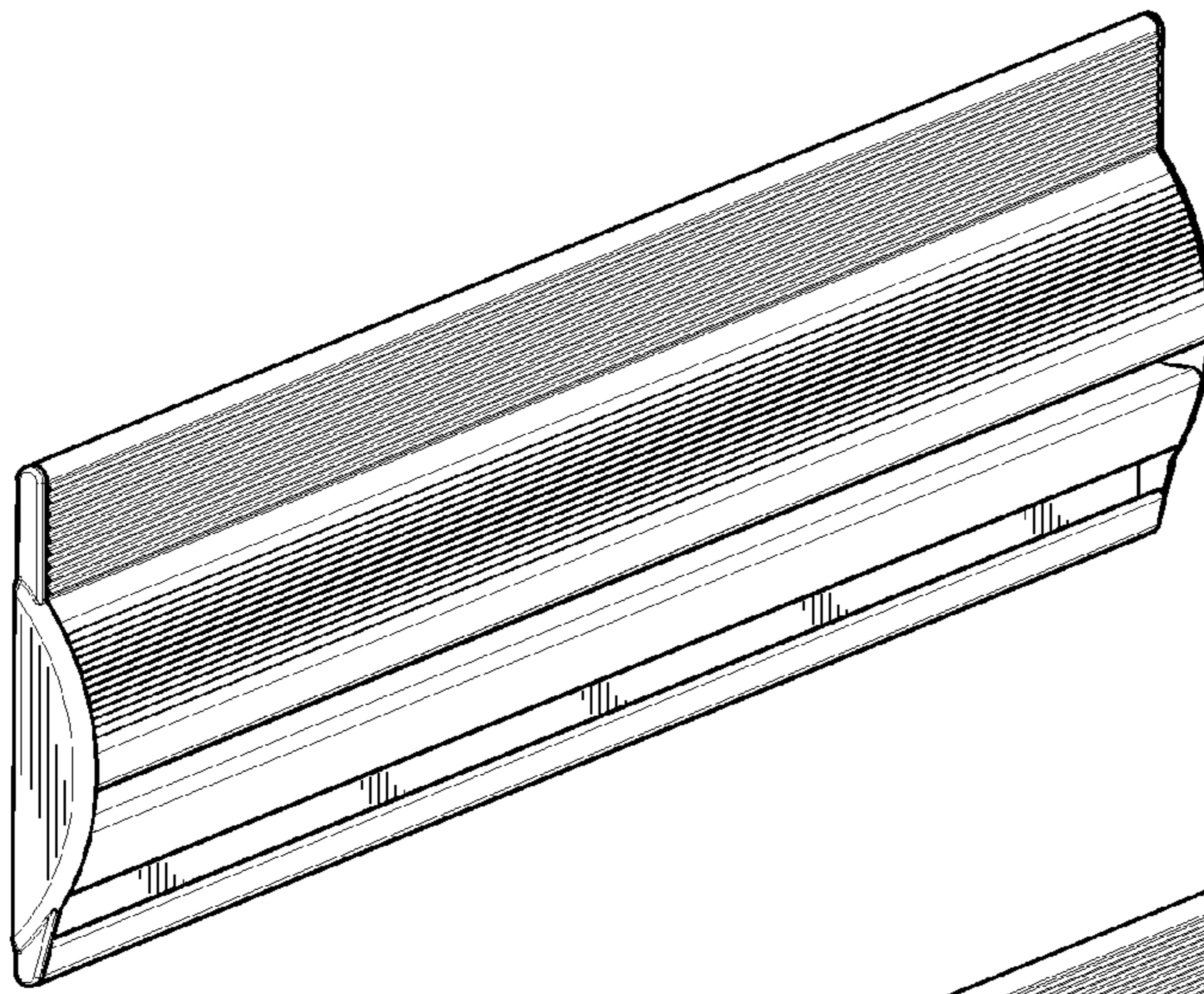


Fig.1

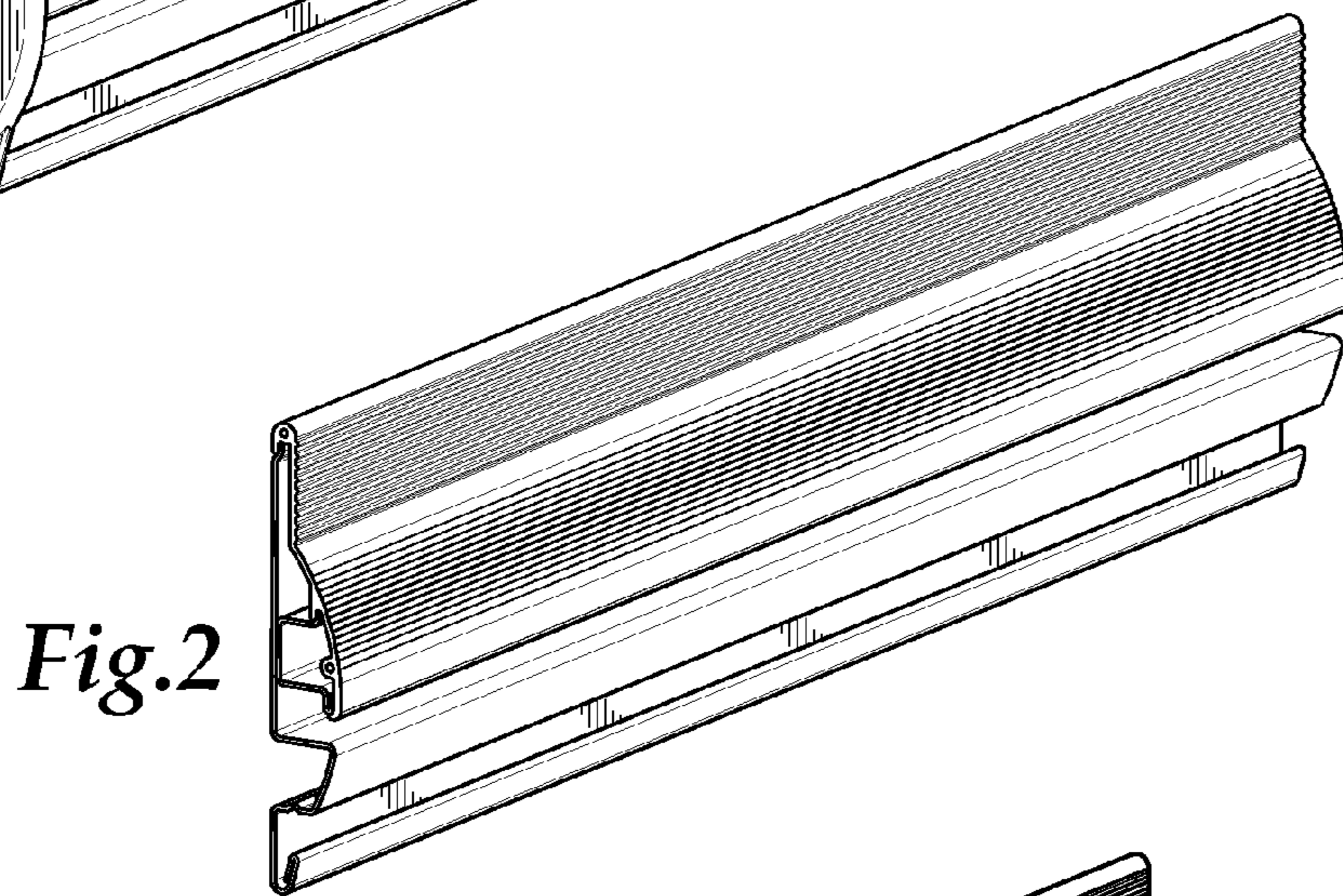


Fig.2

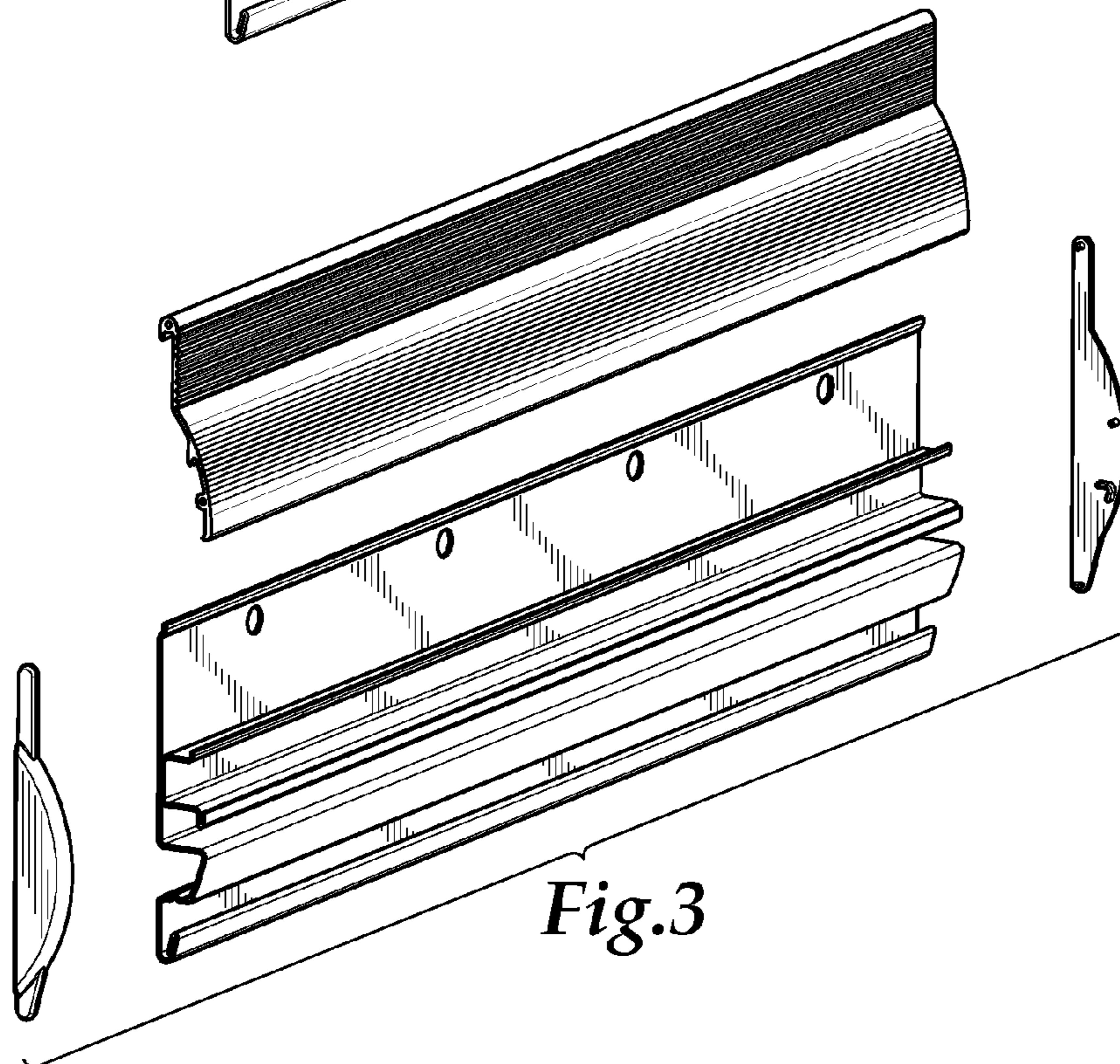


Fig.3



Fig.4

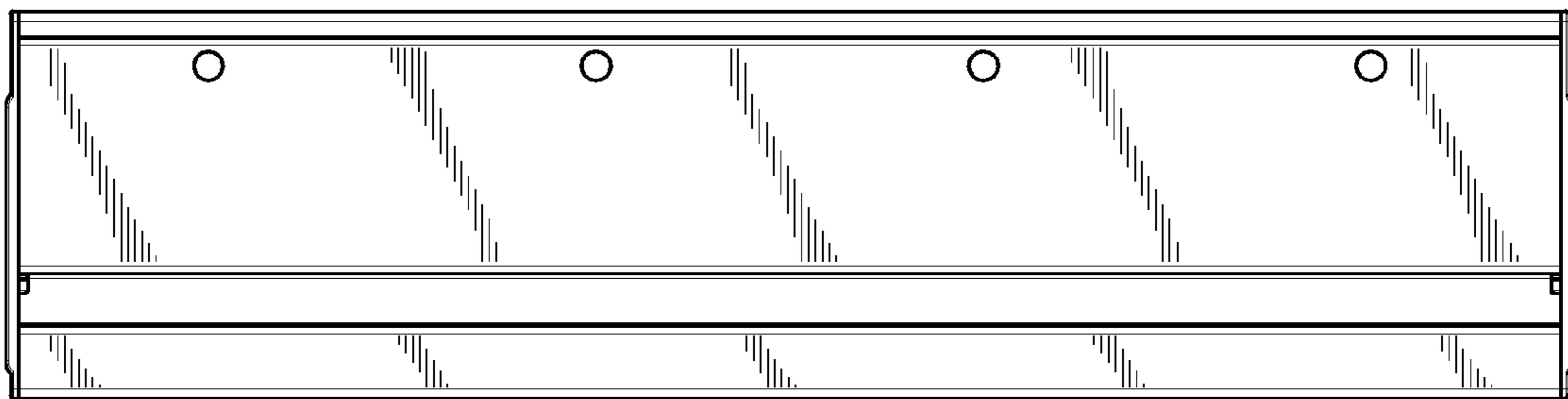


Fig.5

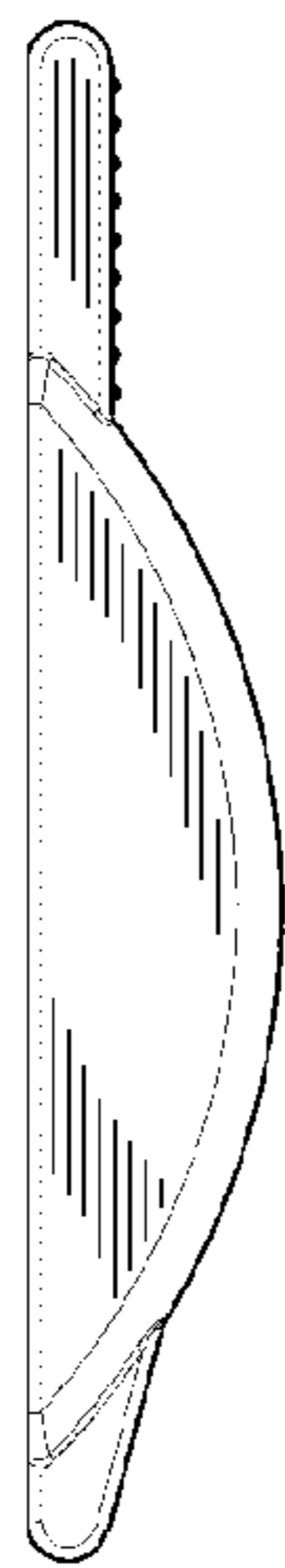


Fig.6

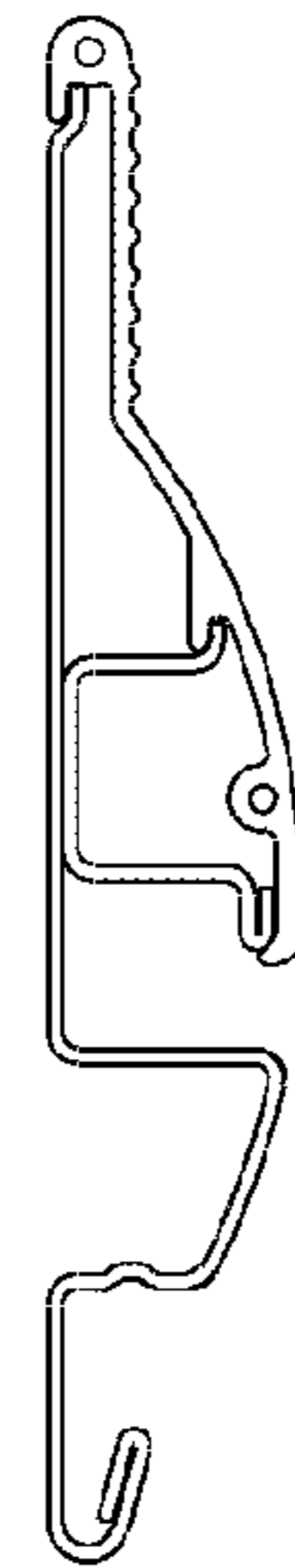


Fig.7



Fig.8

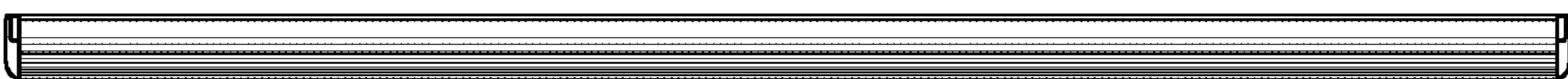


Fig.9