

US00D604976S

(12) **United States Design Patent**
Waymire

(10) **Patent No.:** **US D604,976 S**
(45) **Date of Patent:** **** Dec. 1, 2009**

(54) **TOILETRIES DISPENSER**

6,530,502 B2 3/2003 Neal

(76) Inventor: **Michelle I. Waymire**, P.O. Box 1820,
Fort Bragg, CA (US) 95437

* cited by examiner

Primary Examiner—Brian N Vinson
(74) *Attorney, Agent, or Firm*—Richard C. Litman

(**) Term: **14 Years**

(21) Appl. No.: **29/311,014**

(57) **CLAIM**

(22) Filed: **Dec. 8, 2008**

The ornamental design for a toiletries dispenser, as shown and described.

(51) **LOC (9) Cl.** **23-02**

(52) **U.S. Cl.** **D6/544; D6/545**

(58) **Field of Classification Search** D6/542–545;
222/92, 105, 173, 180, 181.1, 181.3; 221/282–283;
206/77.1

See application file for complete search history.

DESCRIPTION

FIG. 1 is a perspective view of a toiletries dispenser showing my new design;

FIG. 2 is a front elevational view thereof;

FIG. 3 is a rear elevational view thereof;

FIG. 4 is a right side elevational view with the left side being a mirror image thereof;

FIG. 5 is a top plan view thereof; and,

FIG. 6 is a bottom plan view thereof.

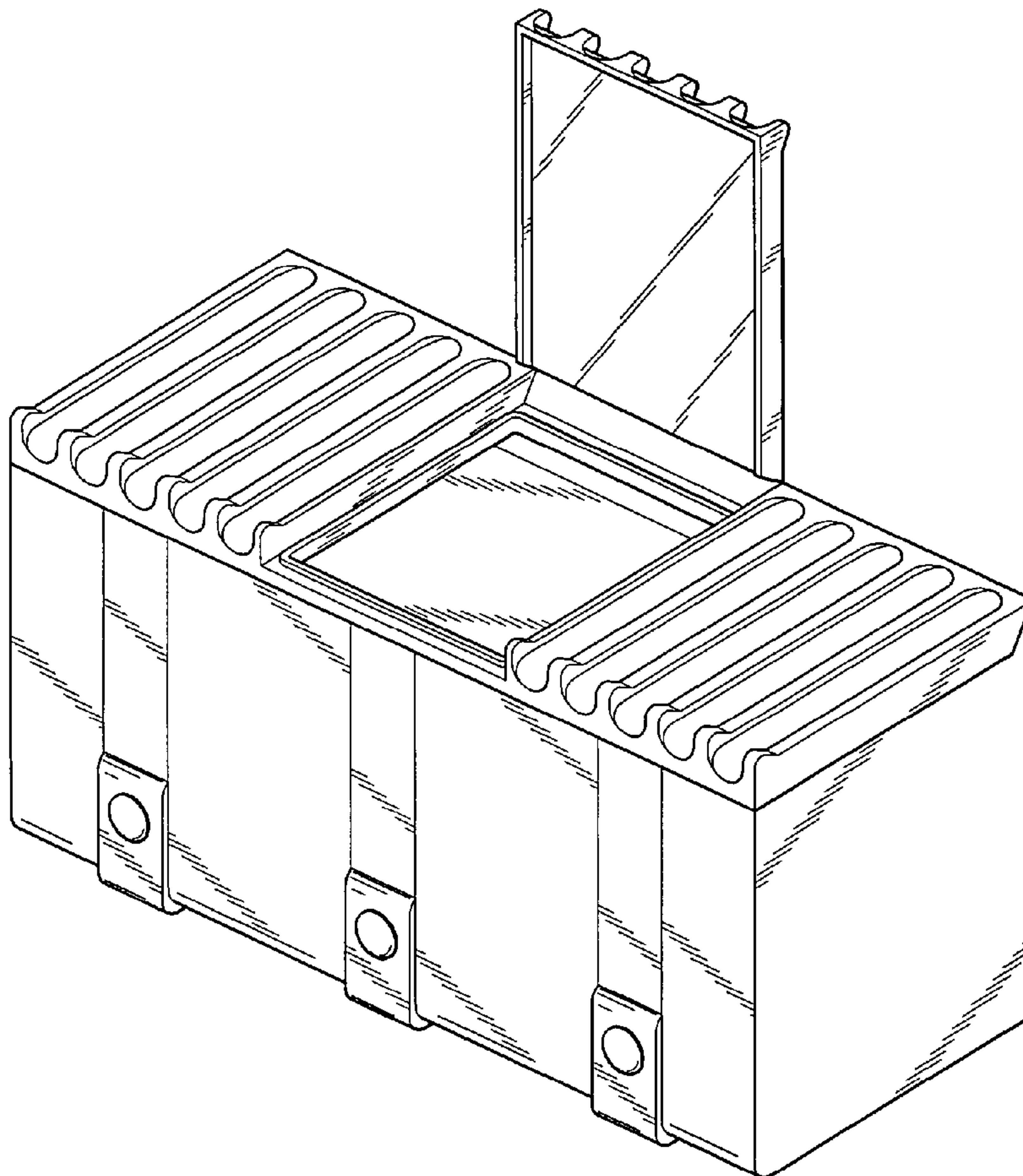
The broken line showing of the indicia in FIG. 2 is for illustrative purposes only and forms no part of the claimed design.

(56) **References Cited**

U.S. PATENT DOCUMENTS

4,880,145	A	11/1989	McManus	
D341,742	S *	11/1993	Ornatowski	D6/545
D367,792	S *	3/1996	Fan	D6/545
D377,877	S *	2/1997	Andrus et al.	D6/544
D393,974	S *	5/1998	Davis	D6/544
D395,972	S *	7/1998	Levy	D6/544
D465,367	S *	11/2002	Pruijssers	D6/545

1 Claim, 6 Drawing Sheets



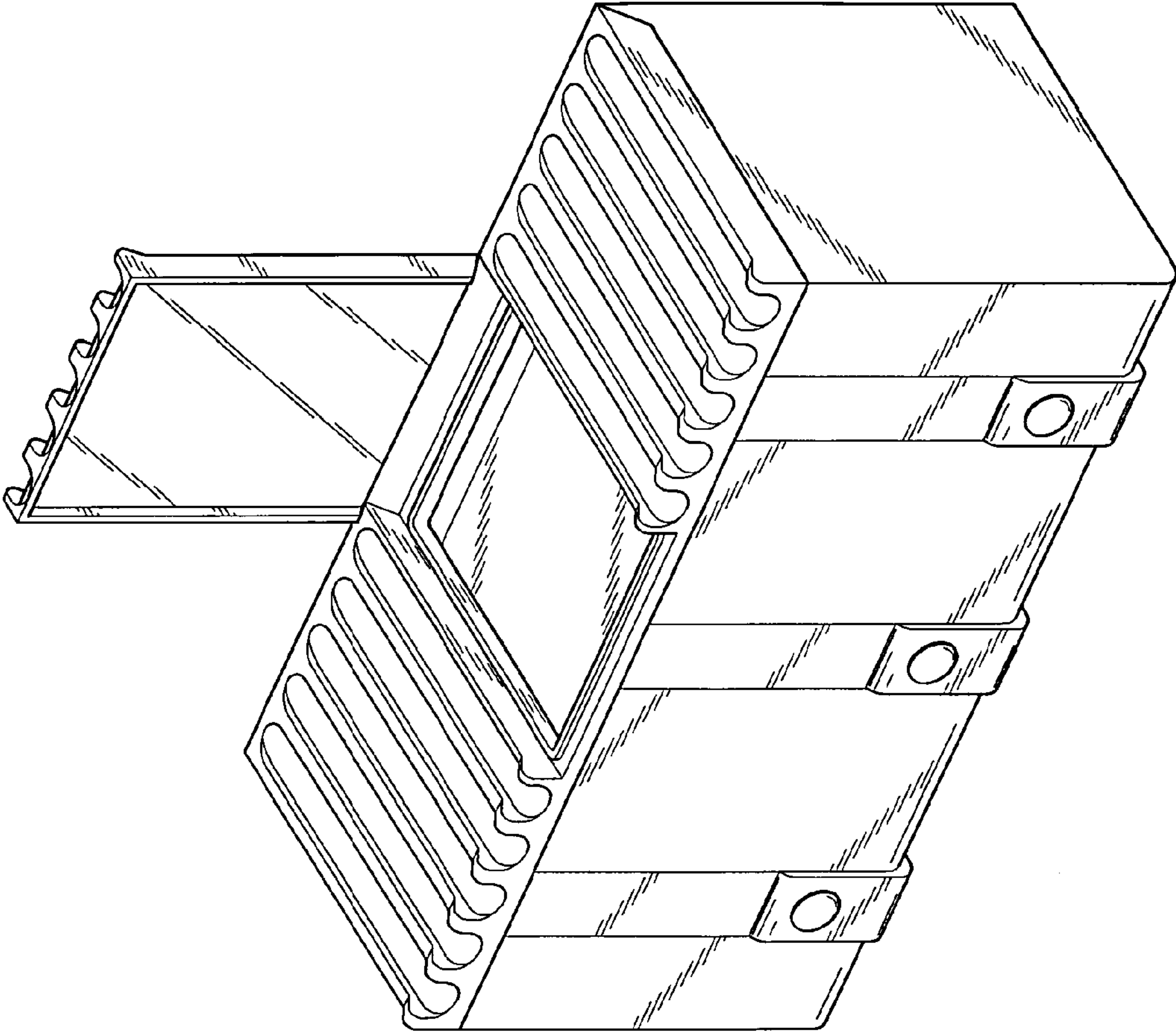


FIG. 1

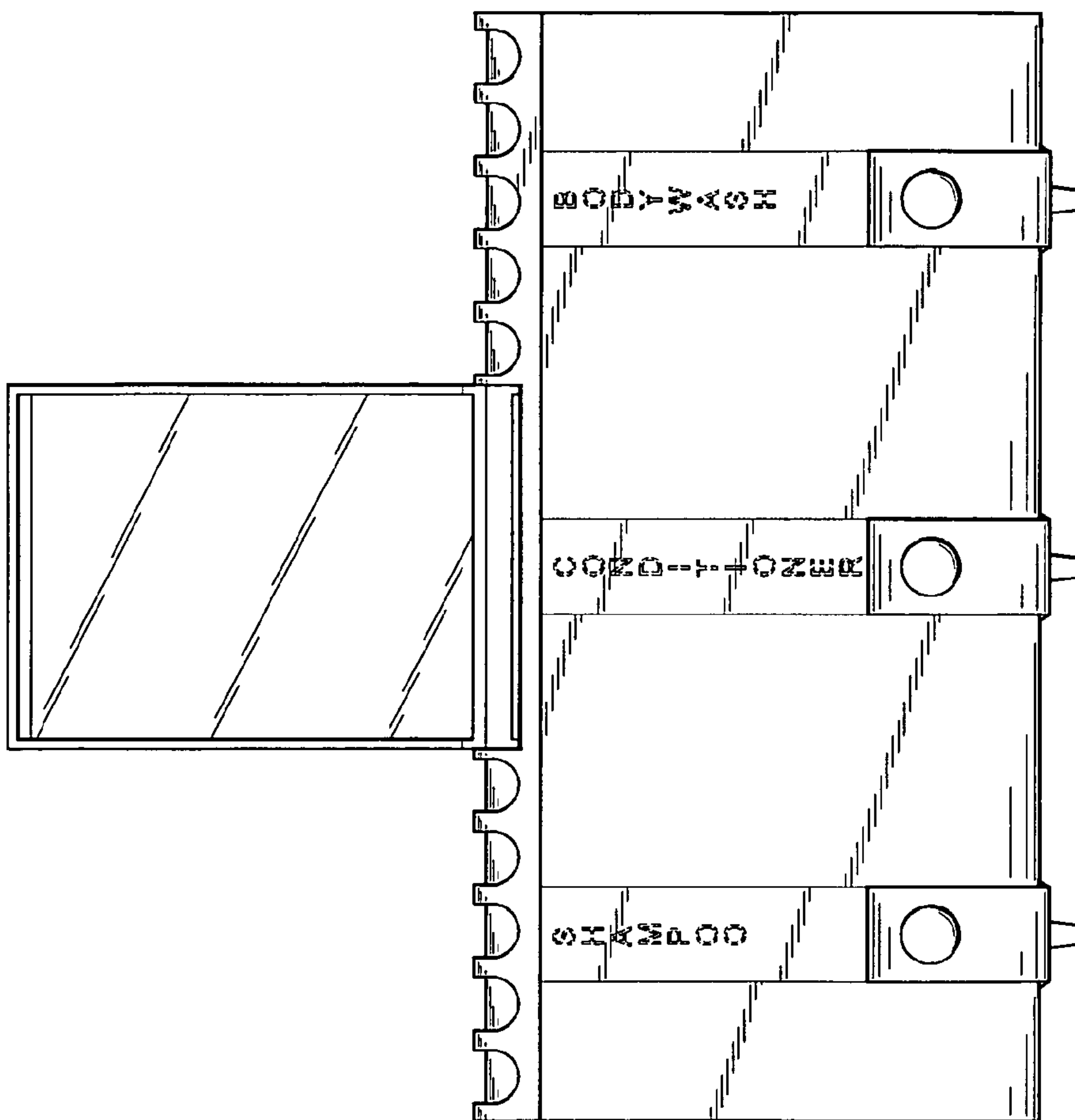


FIG. 2

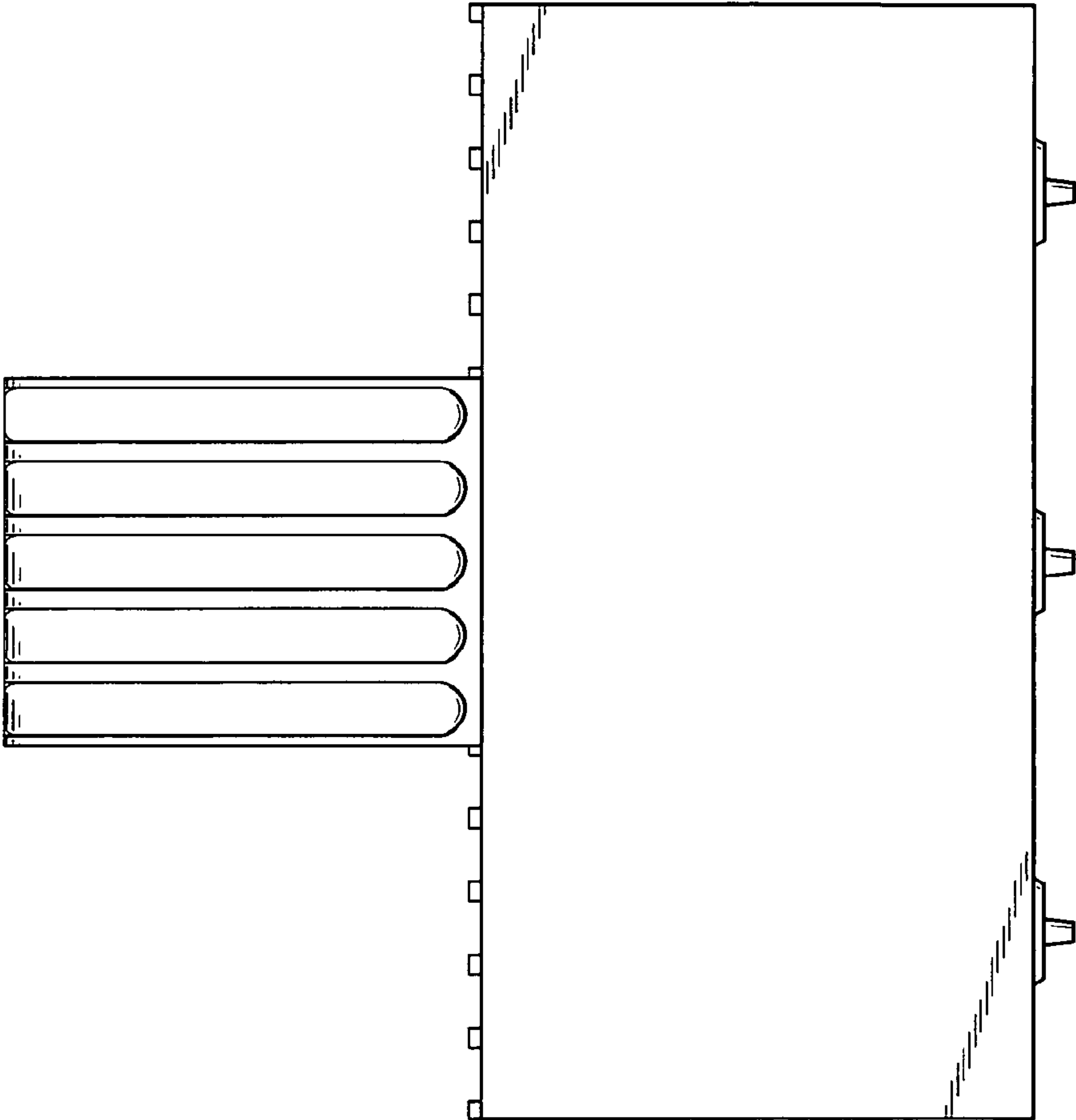


FIG. 3

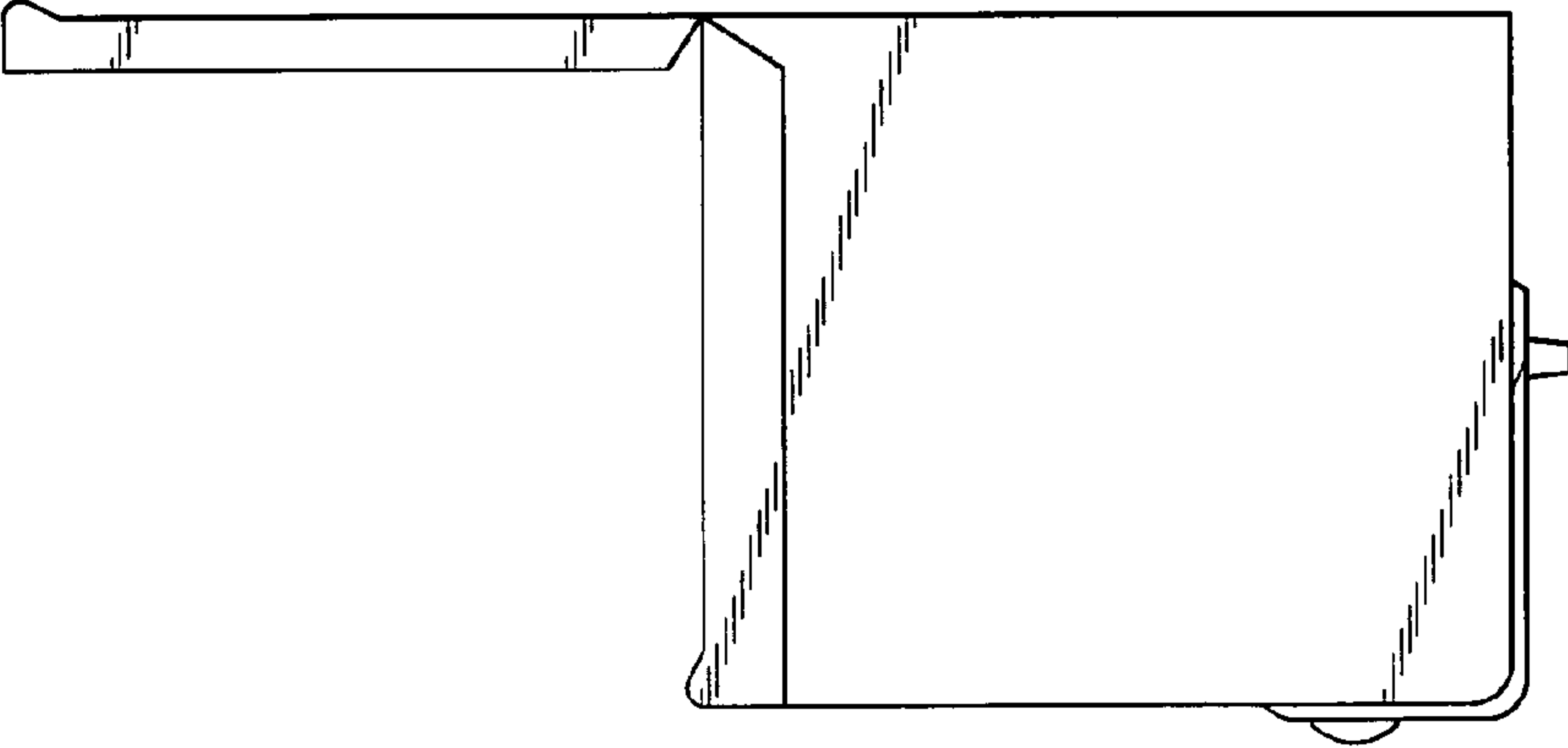


FIG. 4

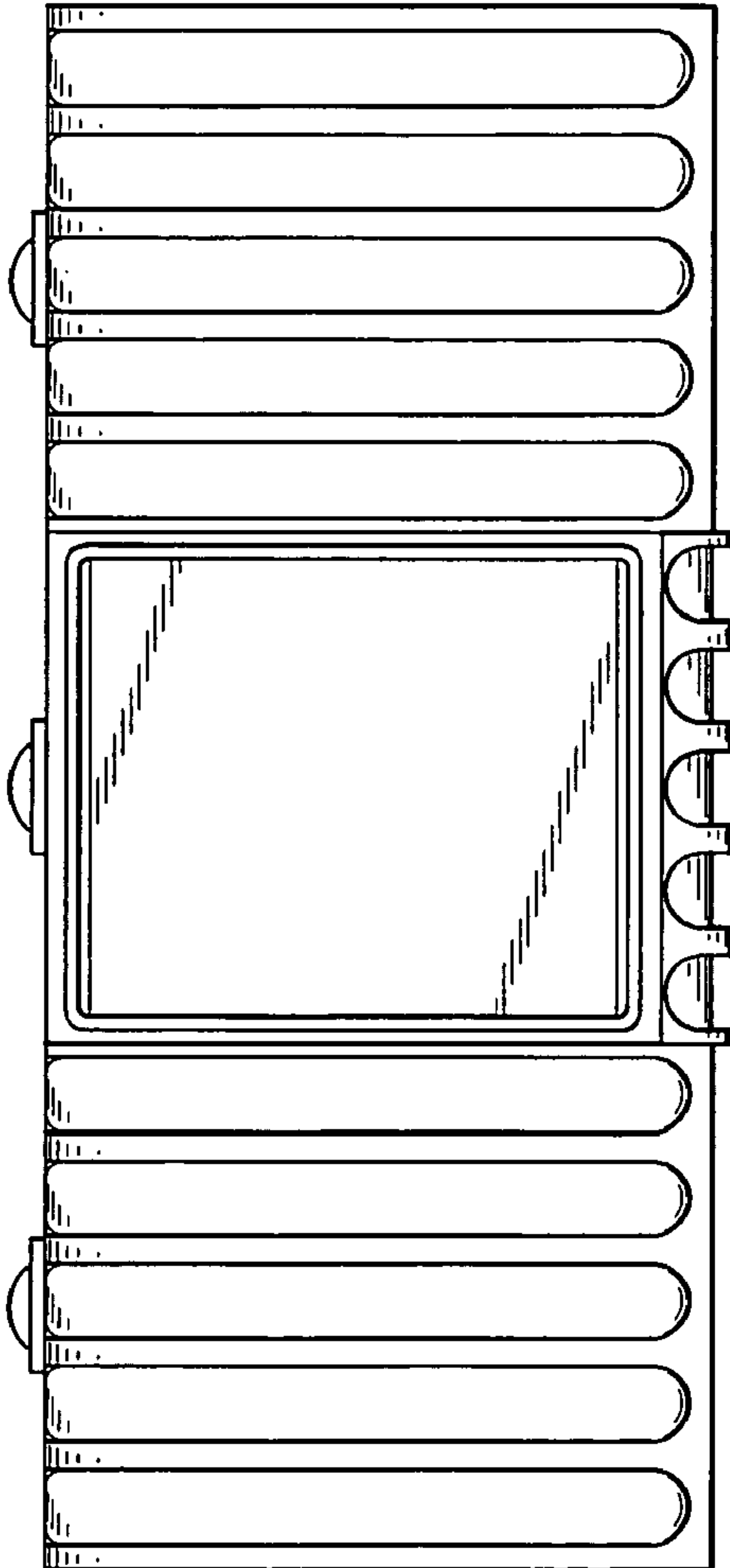


FIG. 5

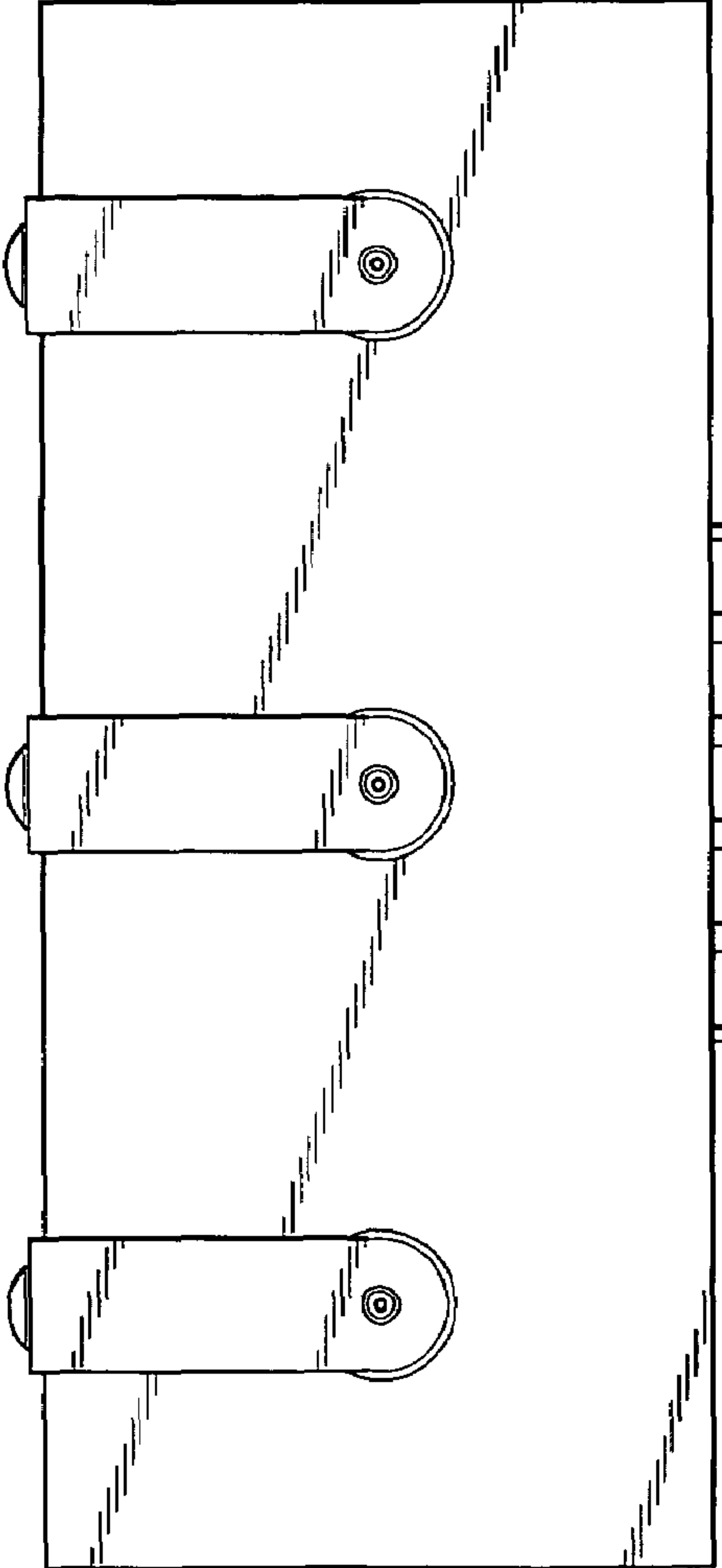


FIG. 6