



US00D604975S

(12) **United States Design Patent**
Racanelli

(10) **Patent No.:** **US D604,975 S**

(45) **Date of Patent:** **** Dec. 1, 2009**

(54) **TOOTHBRUSH HOLDER FOR A BATTERY OPERATED TOOTHBRUSH**

(75) Inventor: **Luigi Racanelli**, 9 E. Slope Rd., Bayville, NY (US) 11709

(73) Assignee: **Luigi Racanelli**, Bayville, NY (US)

(**) Term: **14 Years**

(21) Appl. No.: **29/315,380**

(22) Filed: **Jun. 20, 2009**

(51) **LOC (9) Cl.** **23-02**

(52) **U.S. Cl.** **D6/534**

(58) **Field of Classification Search** D6/524,
D6/526, 527, 528, 534; 206/208, 228, 209,
206/209.1, 361, 362, 362.1, 362.2, 362.3;
211/13.1, 66, 70.6, 86.01, 87.01

See application file for complete search history.

(56) **References Cited**

U.S. PATENT DOCUMENTS

- D171,468 S * 2/1954 Simon D6/528
- D190,407 S * 5/1961 Tauscher D6/528

- D268,531 S * 4/1983 Leppard D6/534
- 4,973,018 A * 11/1990 Agor 211/65
- D320,123 S * 9/1991 Wolf et al. D6/528
- D417,110 S * 11/1999 Dillon et al. D6/534
- D478,756 S * 8/2003 Hood D6/534
- D499,918 S * 12/2004 Snell D6/534
- D504,587 S * 5/2005 Root D6/534
- D538,091 S * 3/2007 Roth D6/534

* cited by examiner

Primary Examiner—Brian N Vinson

(57) **CLAIM**

The ornamental design for a toothbrush holder for a battery operated toothbrush, as shown.

DESCRIPTION

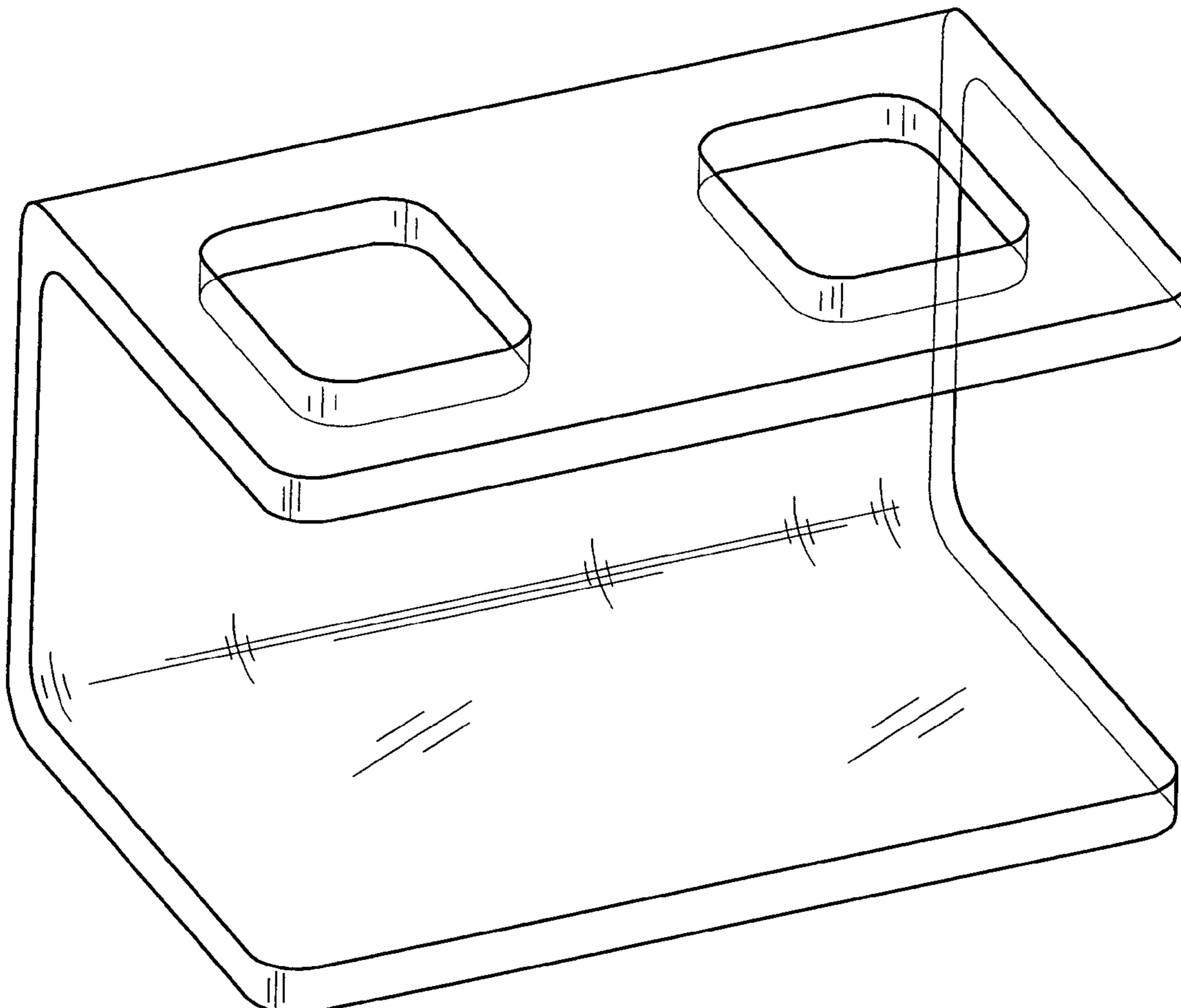
FIG. 1 is a top, front, and left side perspective view of a toothbrush holder for a battery operated toothbrush showing my new design;

FIG. 2 is a top view thereof;

FIG. 3 is a front elevation view thereof; and,

FIG. 4 is a side elevation view thereof.

1 Claim, 4 Drawing Sheets



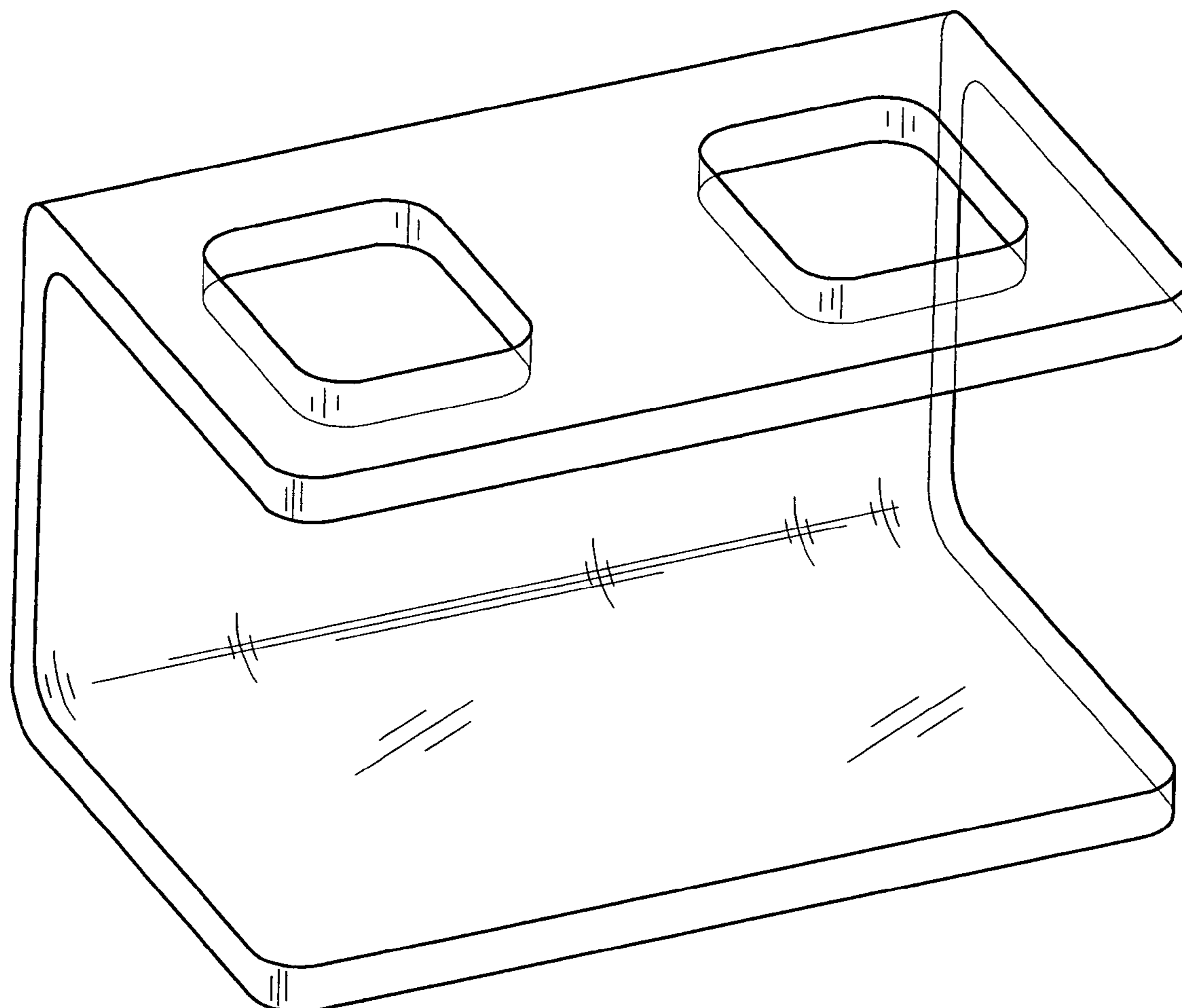


FIG. 1

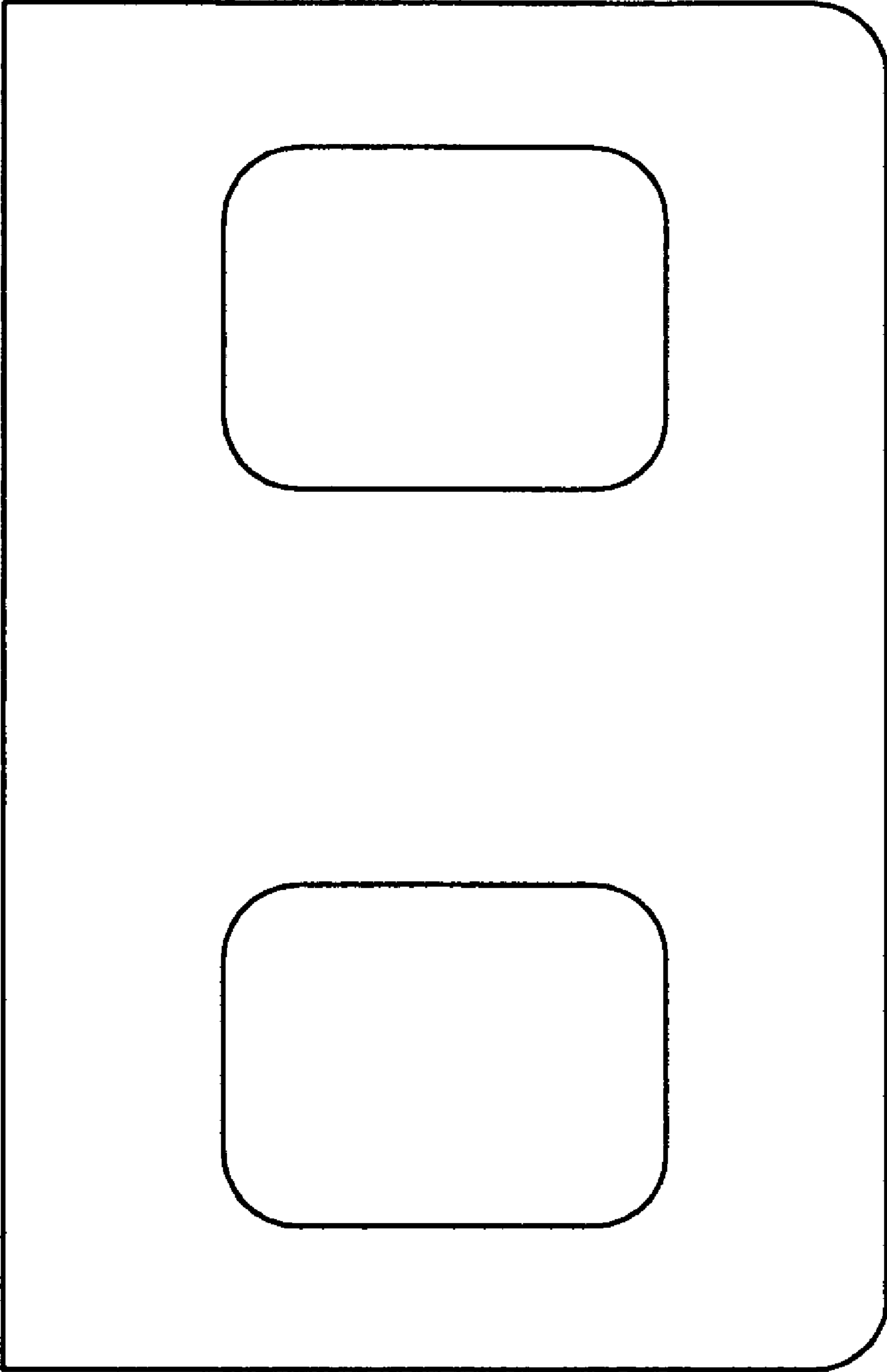


FIG. 2

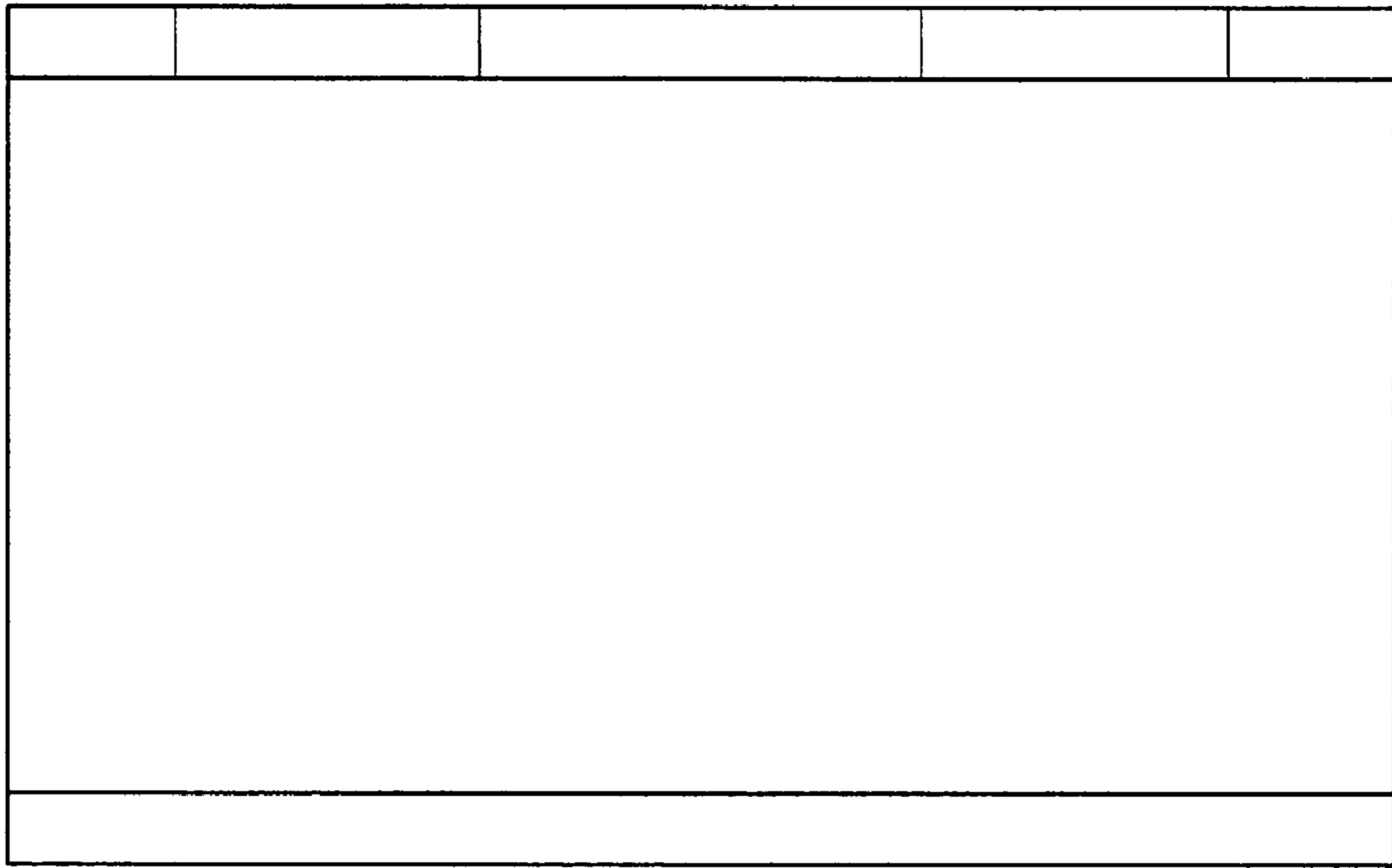


FIG. 3

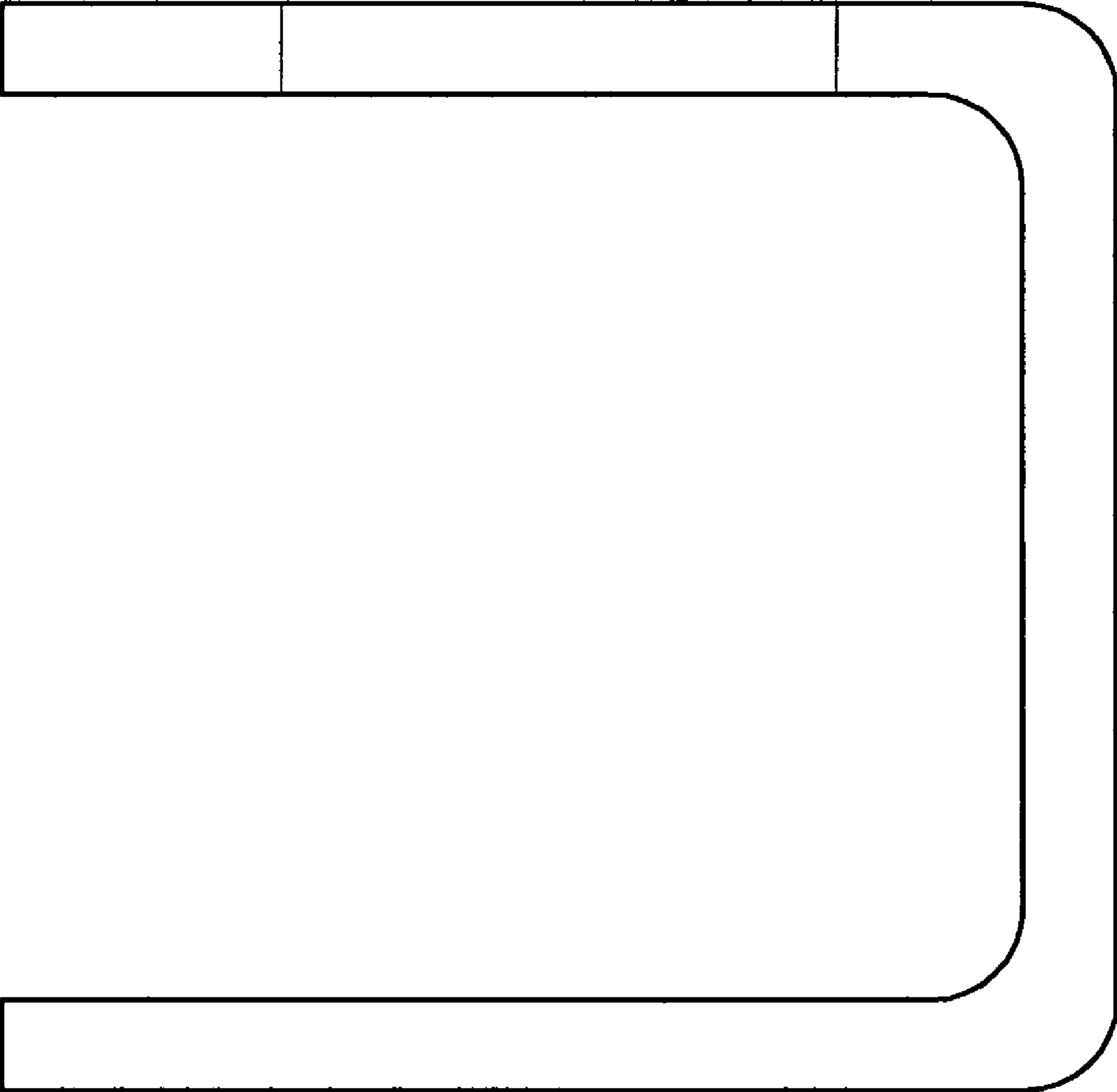


FIG. 4