

US00D604974S

(12) **United States Design Patent**  
**Morrison et al.**

(10) **Patent No.:** **US D604,974 S**  
(45) **Date of Patent:** **\*\* Dec. 1, 2009**

(54) **COMBINATION DISPENSER AND ADVERTISING DISPLAY**

(75) Inventors: **Brett Morrison**, Oakland, CA (US);  
**Brian Morrison**, Miami, FL (US); **Sean Kieley**, Montreal (CA)

(73) Assignee: **Terraboost Media, LLC**, Miami, FL (US)

(\*\*) Term: **14 Years**

(21) Appl. No.: **29/328,904**

(22) Filed: **Dec. 3, 2008**

(51) **LOC (9) Cl.** ..... **20-02**

(52) **U.S. Cl.** ..... **D6/515**

(58) **Field of Classification Search** ..... D6/515-523;  
206/389, 391; 211/13.1, 16, 44, 49.1, 50,  
211/59.2, 86.01; 222/173, 181.1; 221/282,  
221/283; 312/34, 34.8, 34.22, 309.1

See application file for complete search history.

(56) **References Cited**

U.S. PATENT DOCUMENTS

D330,983 S \* 11/1992 De Moss ..... D6/515

(Continued)

*Primary Examiner*—Brian N Vinson

(74) *Attorney, Agent, or Firm*—Gray Robinson, P.A.

(57) **CLAIM**

The ornamental design of a combination dispenser and advertising display, as shown and described.

**DESCRIPTION**

FIG. 1 is a front perspective view of a first embodiment thereof;

FIG. 2 is a rear perspective view of a first embodiment thereof;

FIG. 3 is a left side elevational view of a first embodiment thereof;

FIG. 4 is a front elevational view of a first embodiment thereof;

FIG. 5 is a right side elevational view of a first embodiment thereof;

FIG. 6 is a rear elevational view of a first embodiment thereof;

FIG. 7 is a top plan view of a first embodiment thereof;

FIG. 8 is a bottom plan view of a first embodiment thereof;

FIG. 9 is a front perspective view of a second embodiment thereof;

FIG. 10 is a rear perspective view of a second embodiment thereof;

FIG. 11 is a left side elevational view of a second embodiment thereof;

FIG. 12 is a front elevational view of a second embodiment thereof;

FIG. 13 is a right side elevational view of a second embodiment thereof;

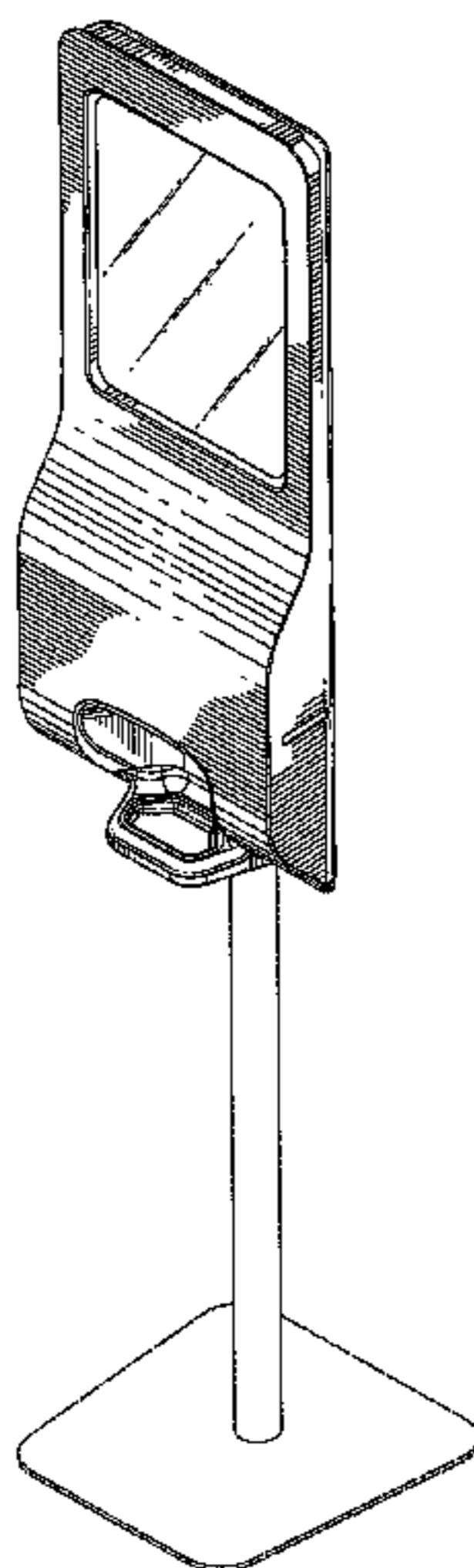
FIG. 14 is a rear elevational view of a second embodiment thereof;

FIG. 15 is a top plan view of a second embodiment thereof; and,

FIG. 16 is a bottom plan view of a second embodiment thereof.

The broken-line disclosure of the mounting pole and base is for illustrative purposes only and forms no part of the claimed design, while the broken-line disclosure in the second embodiment is understood to represent portions of the article in which the claimed design is embodied, but which form no part of the claimed design. The broken-line between claimed and unclaimed surfaces is understood to form an unclaimed boundary between the two surfaces.

**1 Claim, 8 Drawing Sheets**





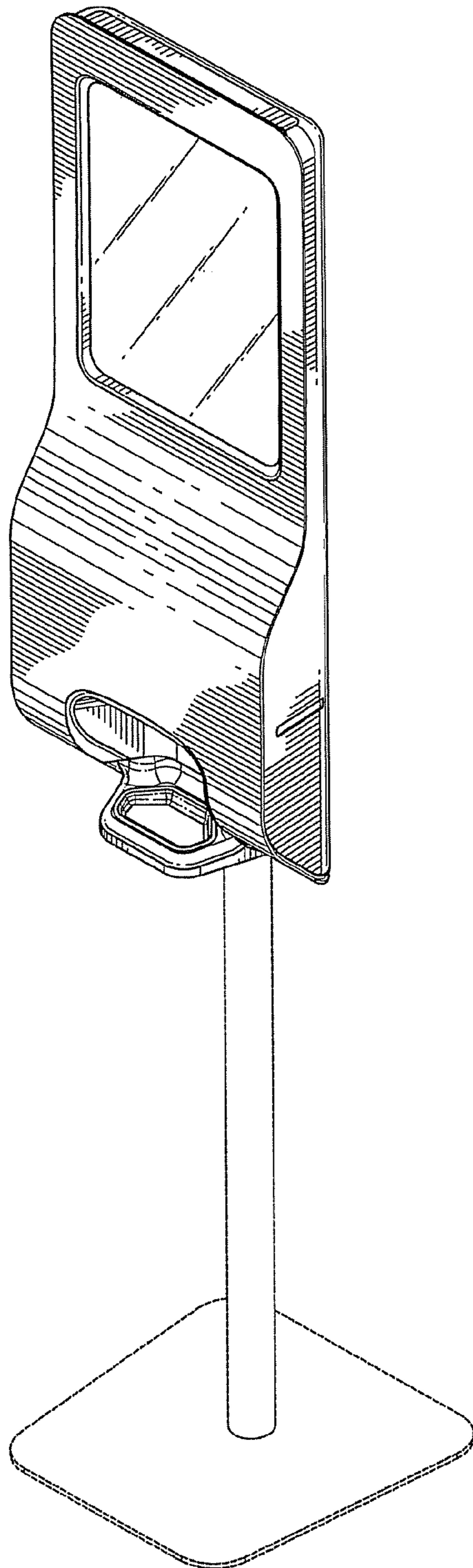


FIG. 1

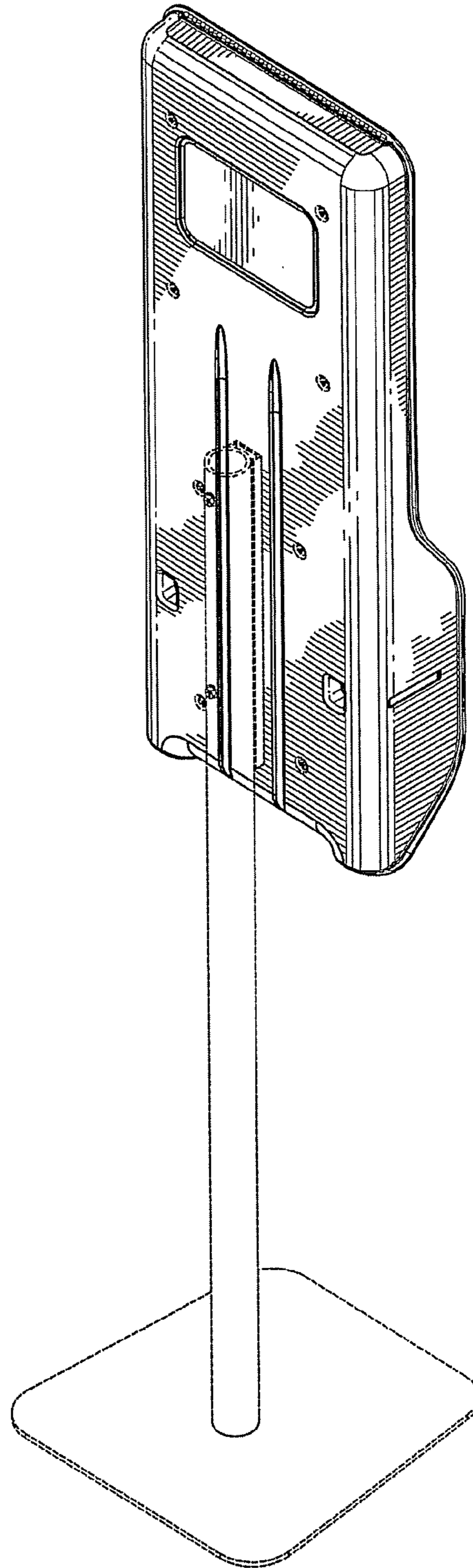


FIG. 2



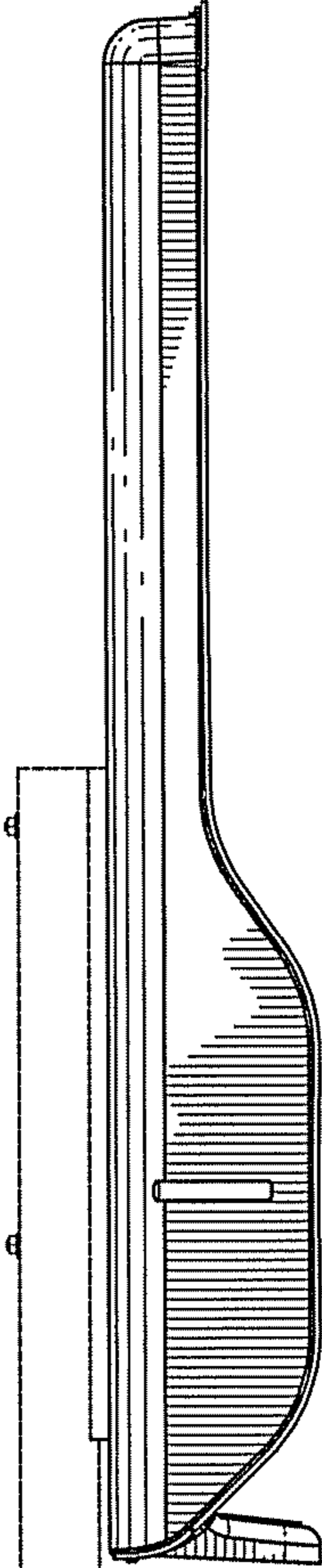


FIG. 3

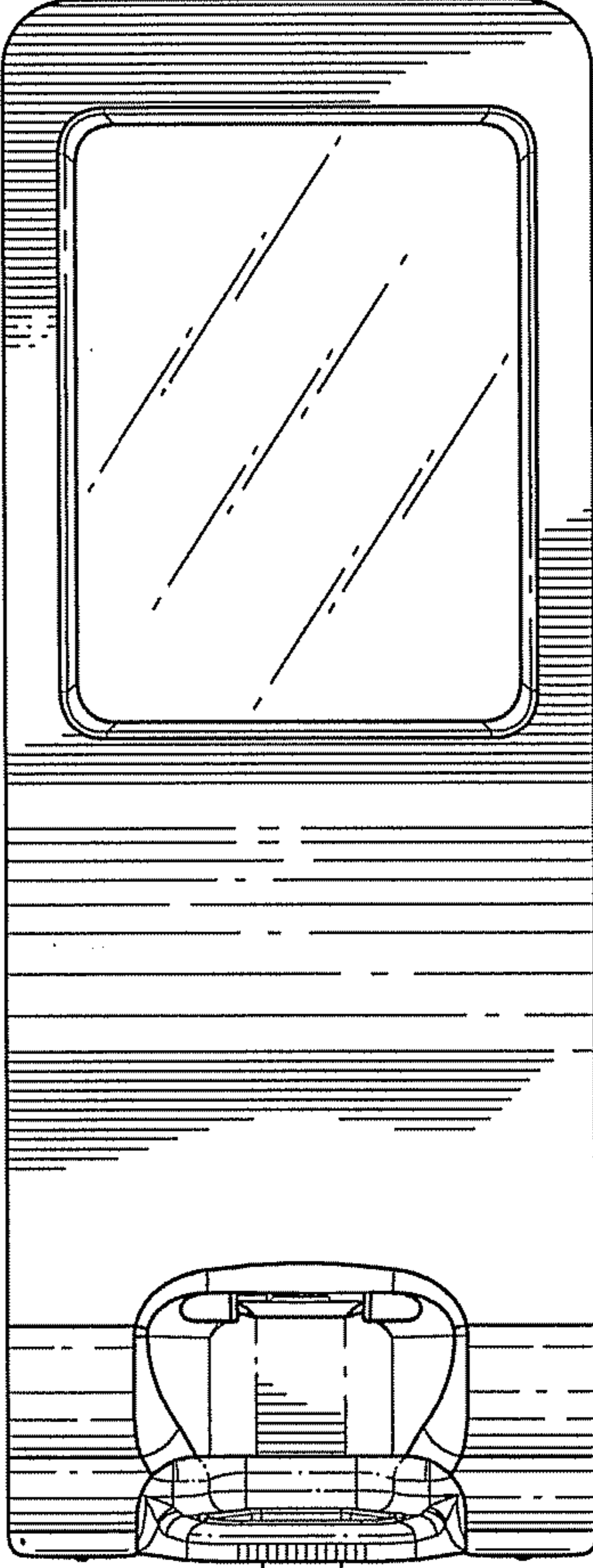


FIG. 4

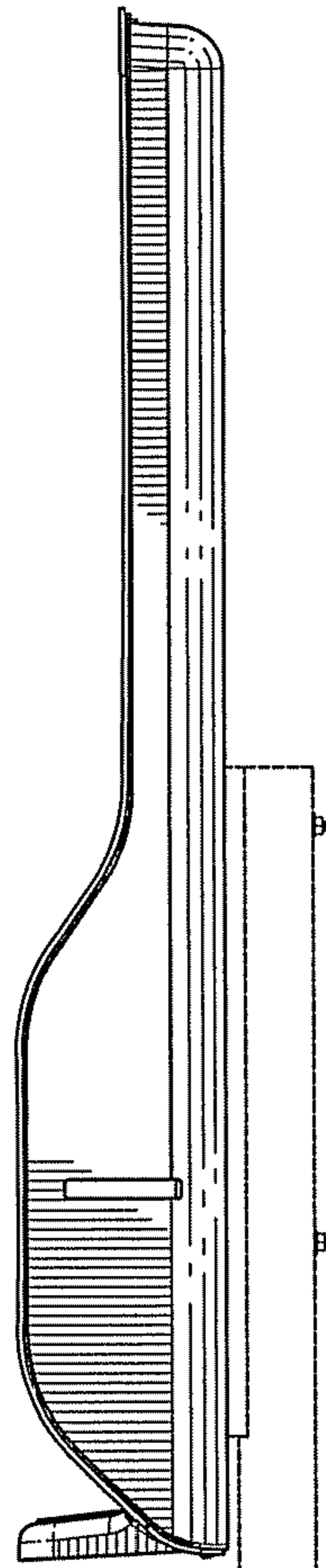


FIG. 5

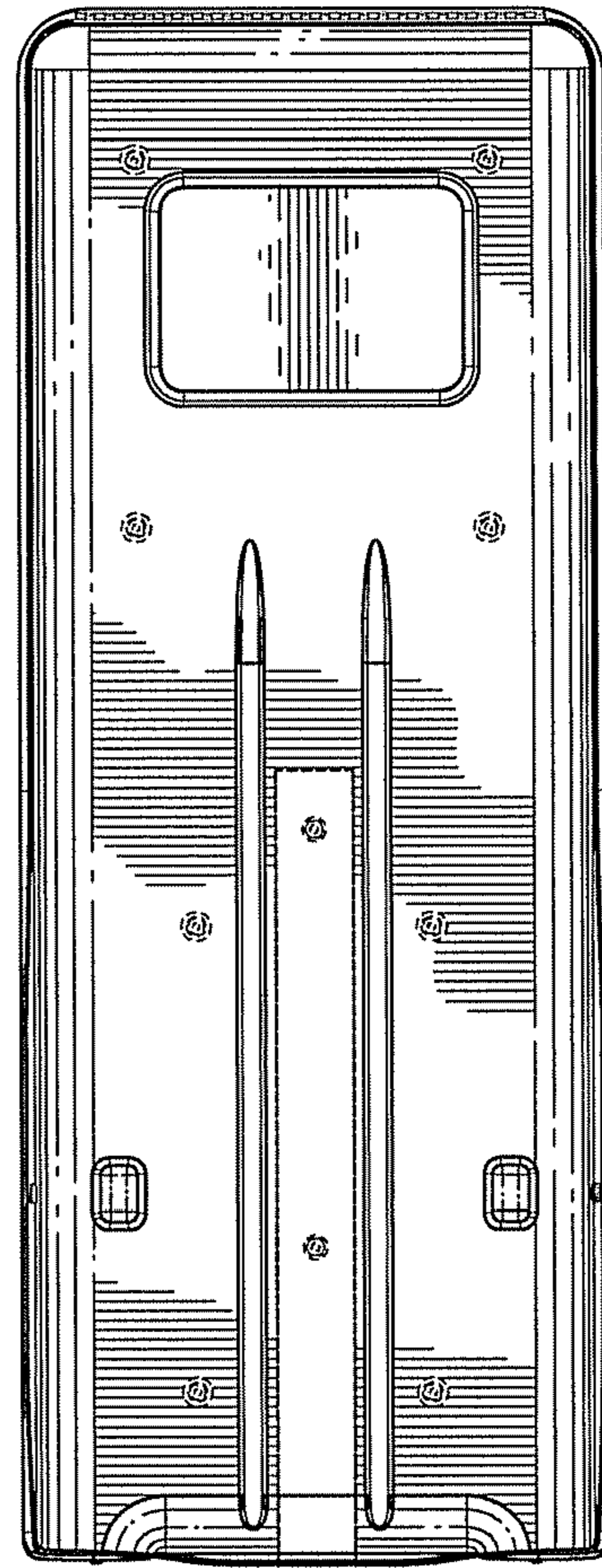


FIG. 6

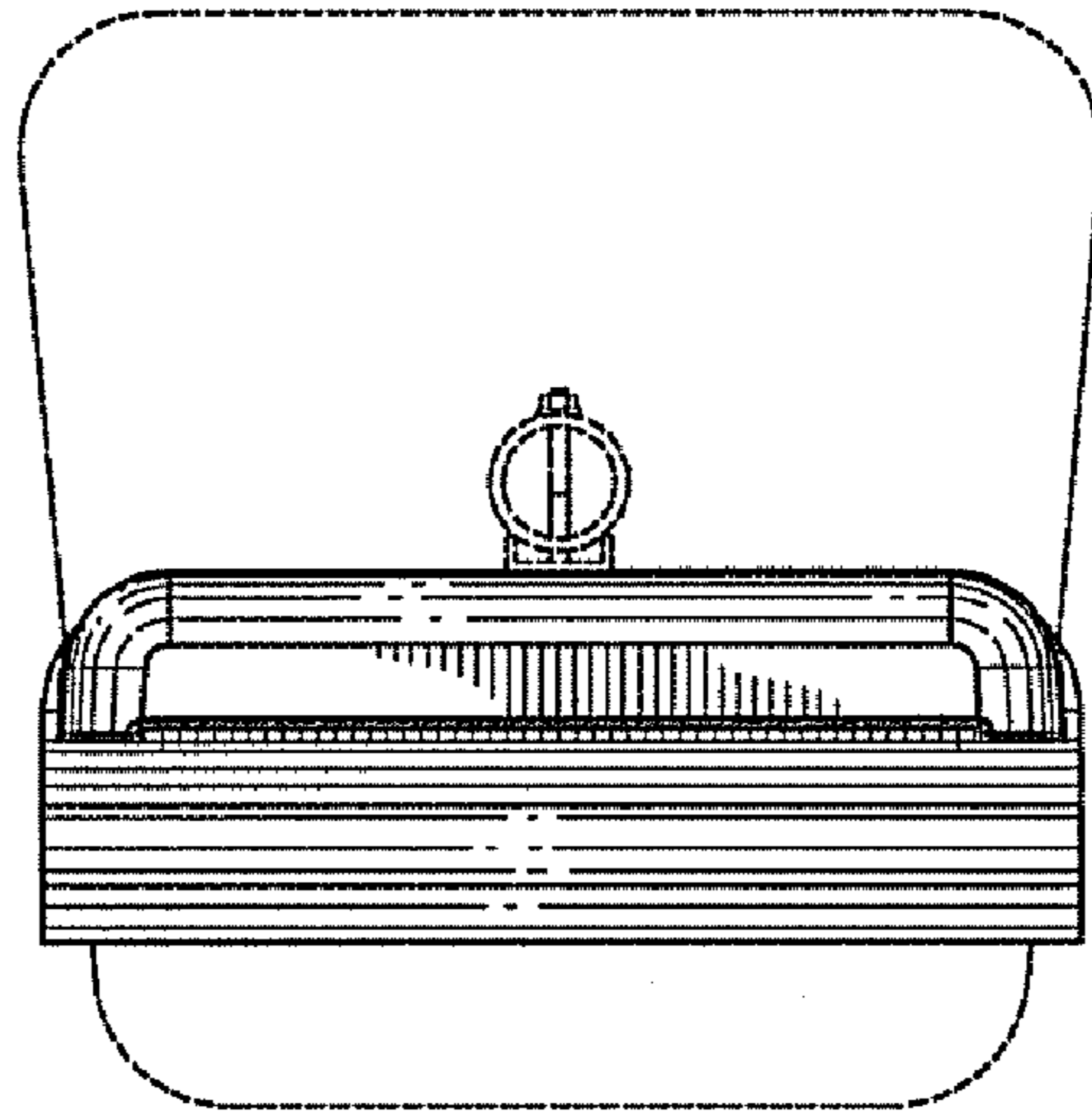


FIG. 7

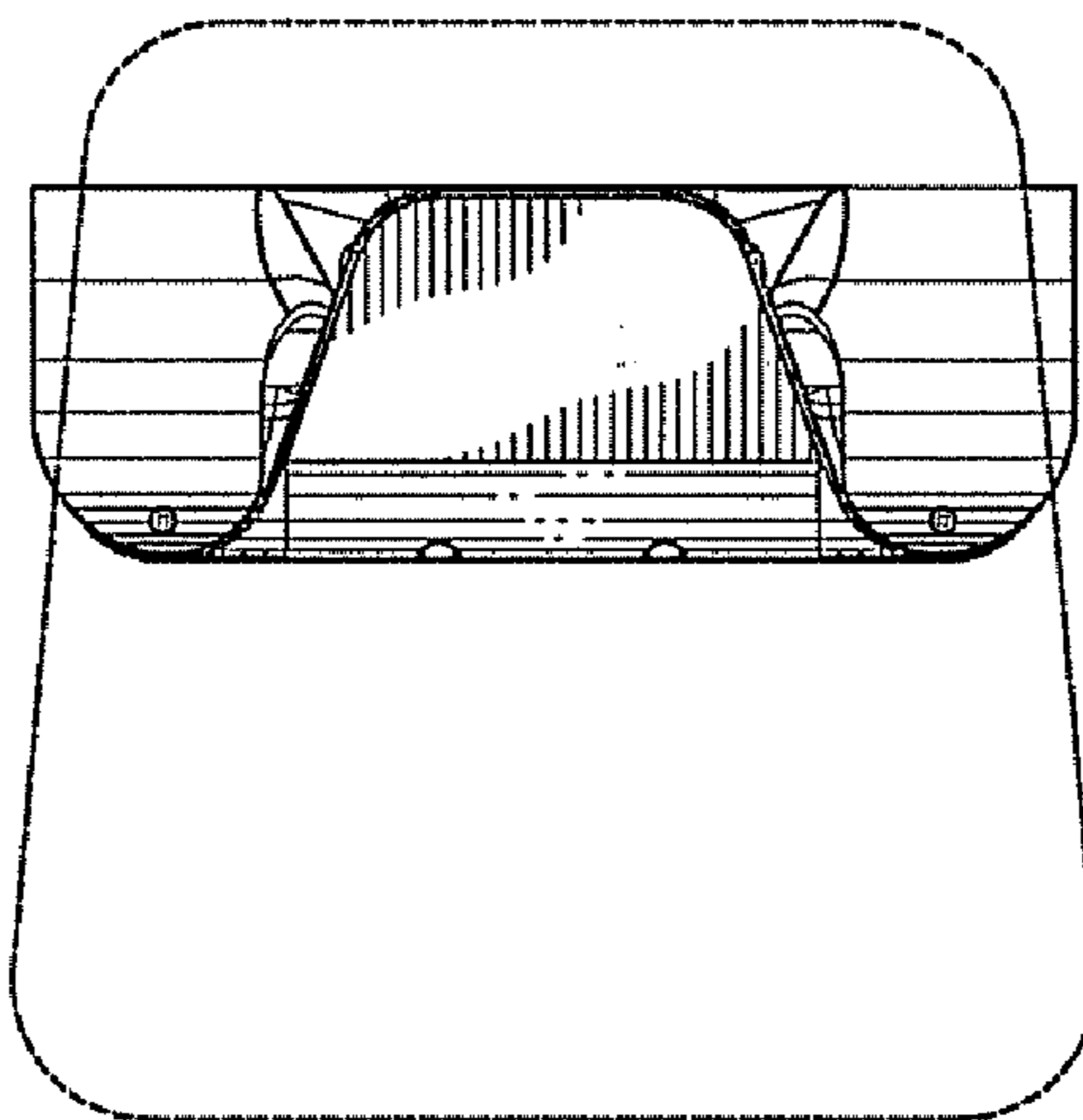


FIG. 8

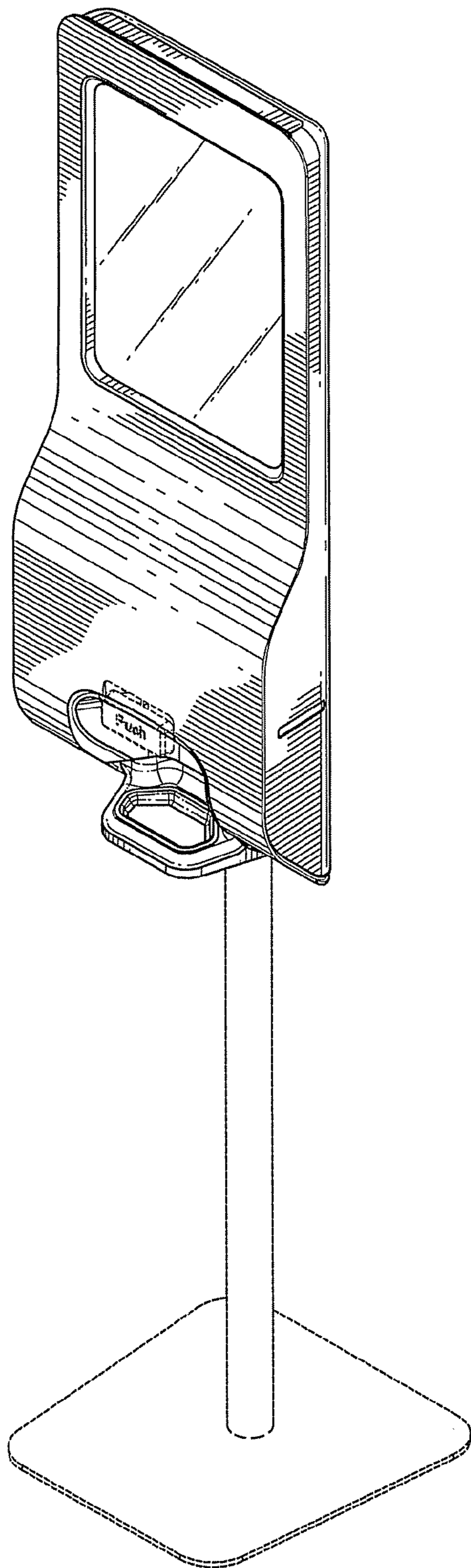


FIG. 9

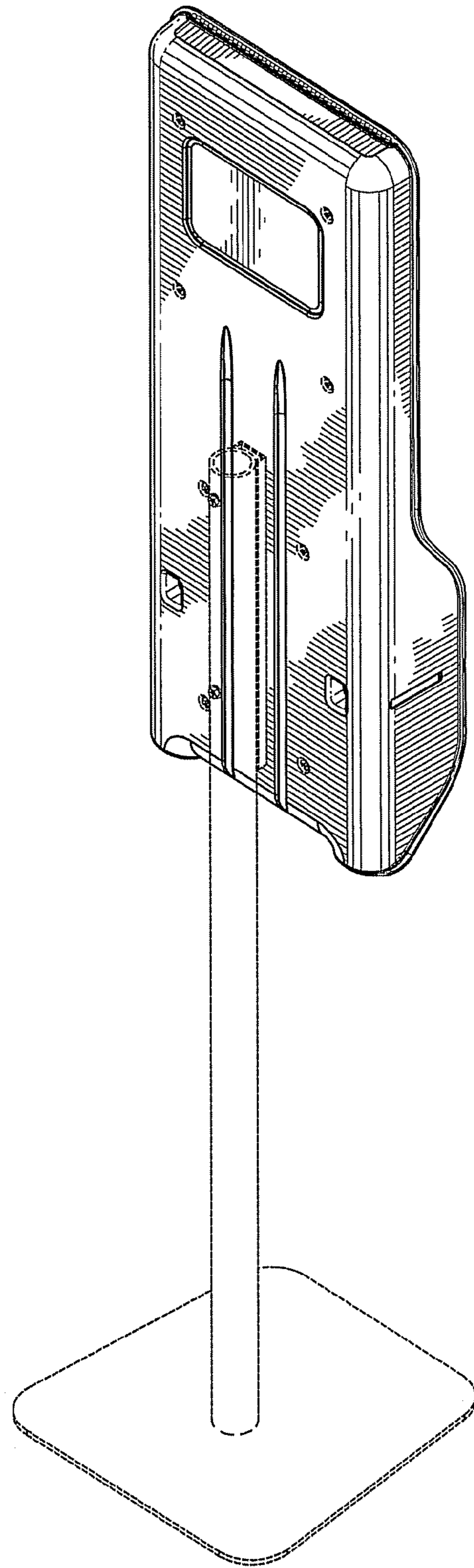


FIG. 10



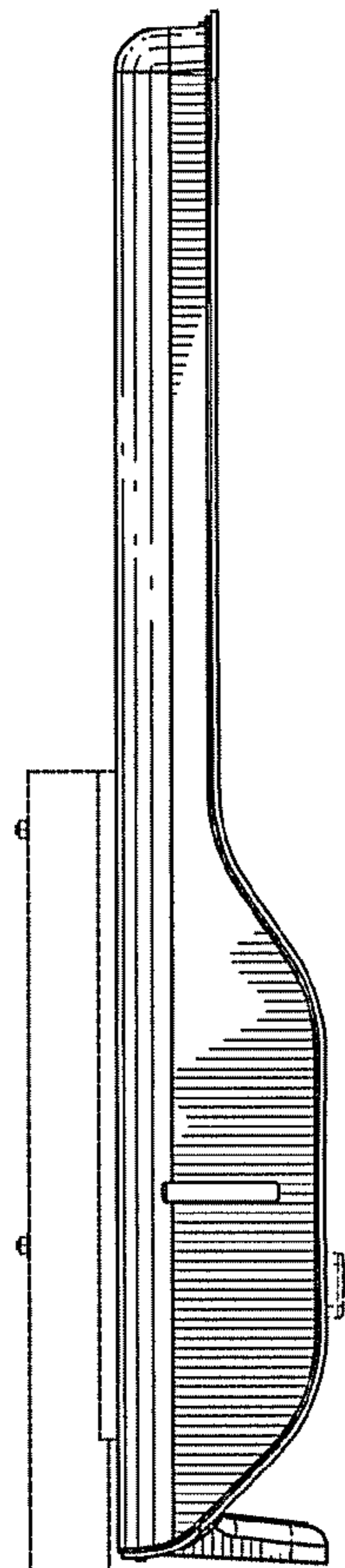


FIG. 11

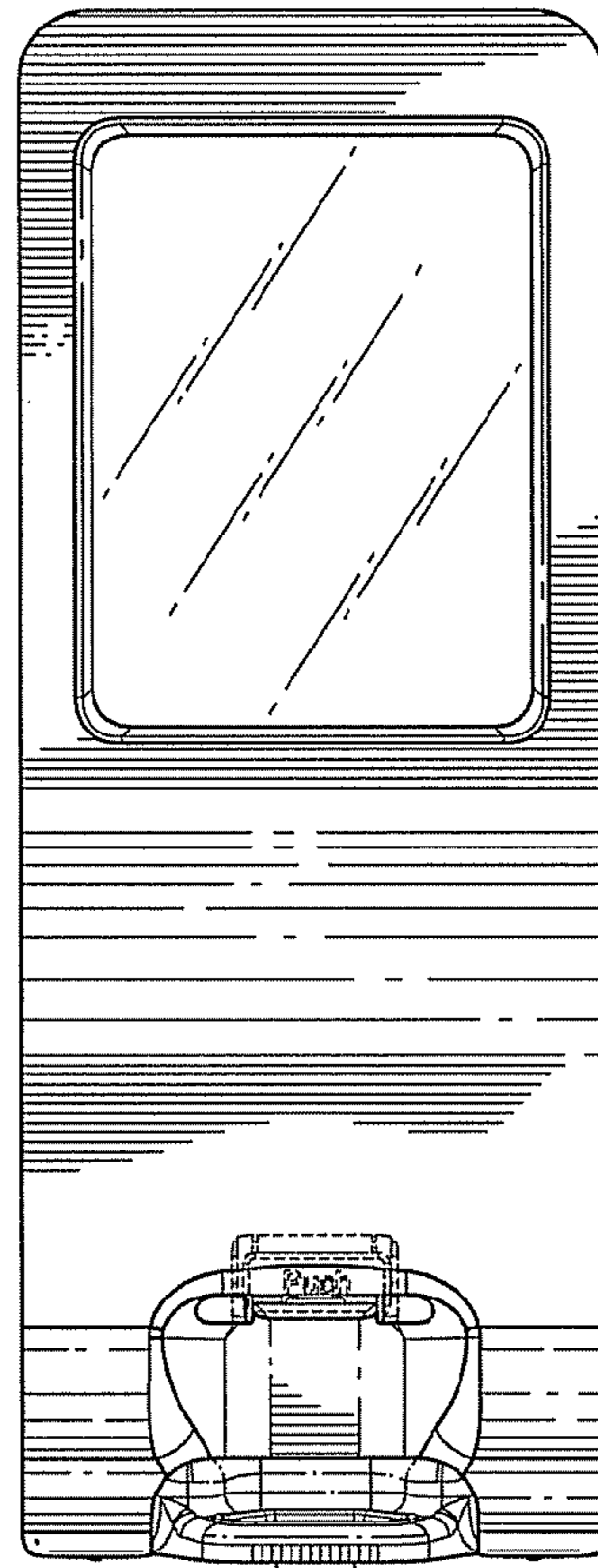


FIG. 12



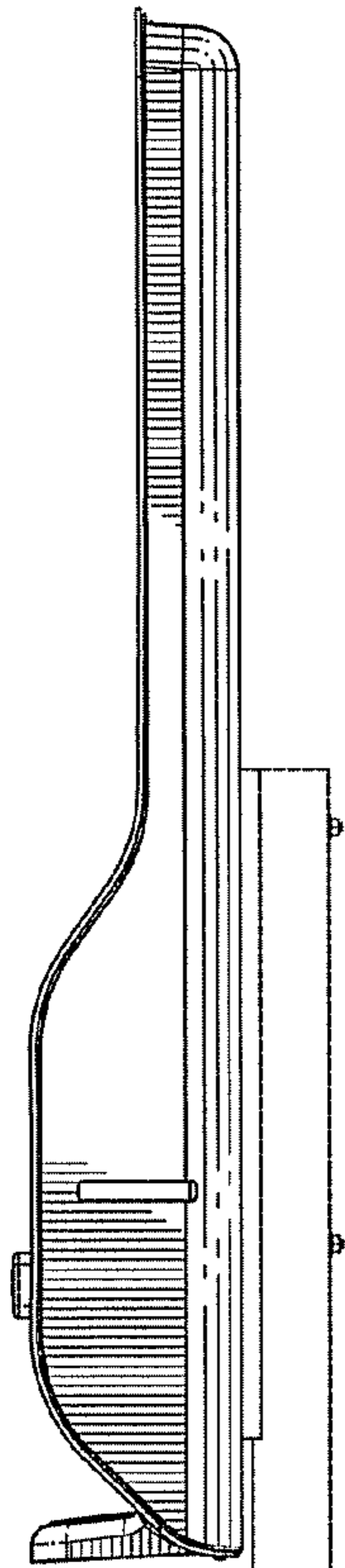


FIG. 13

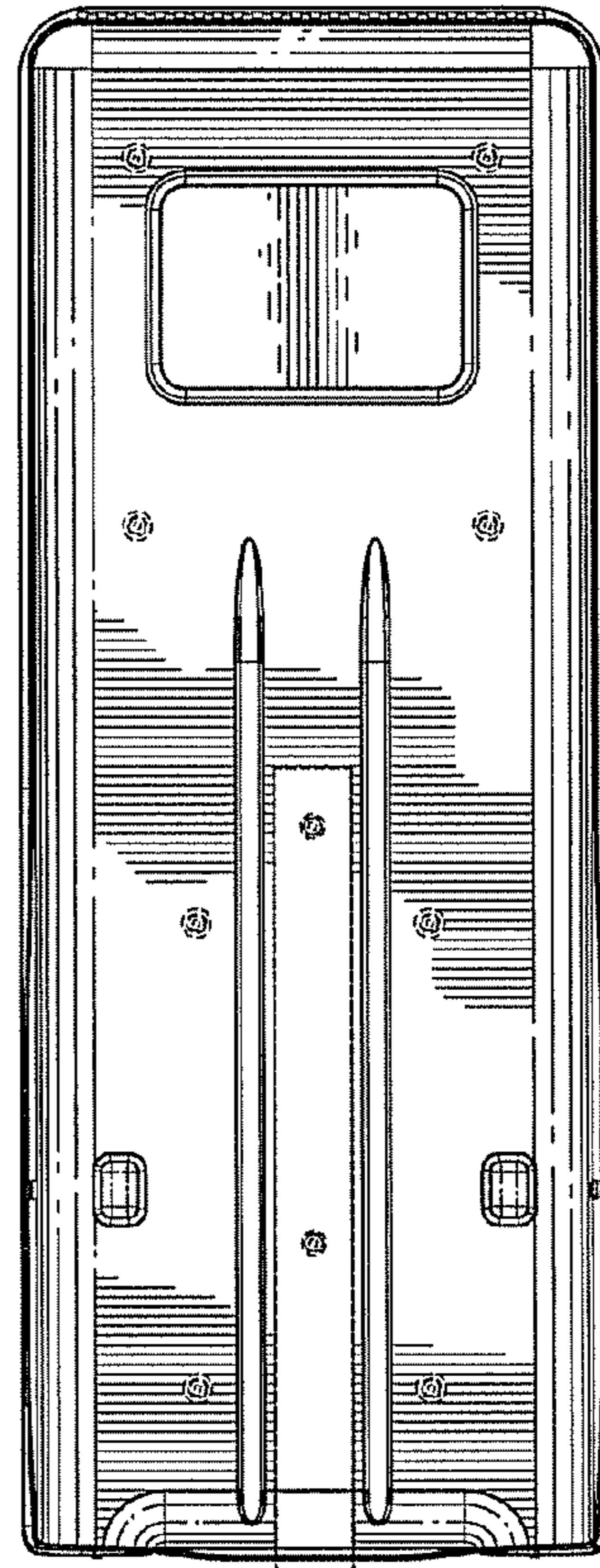


FIG. 14

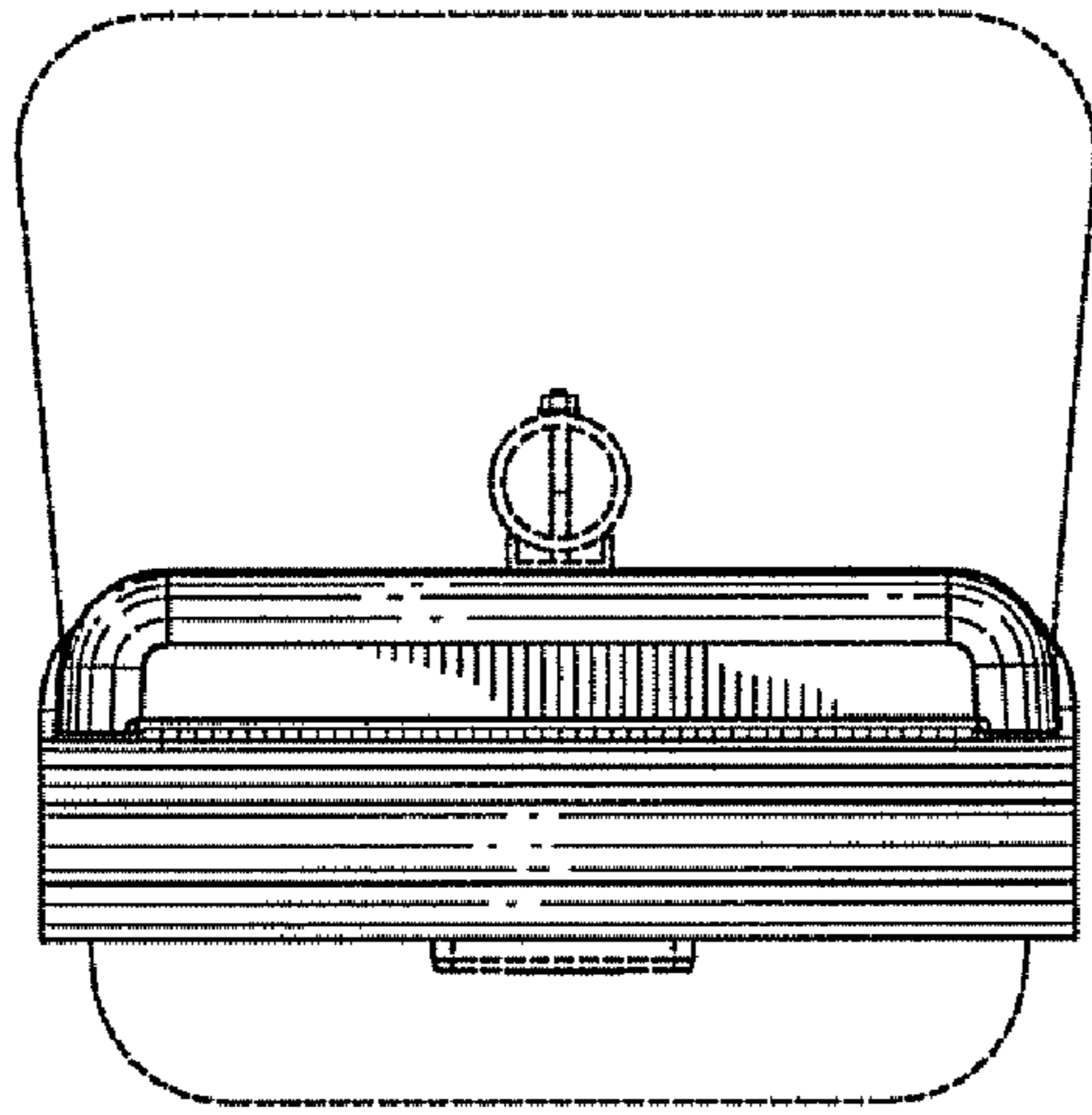


FIG. 15

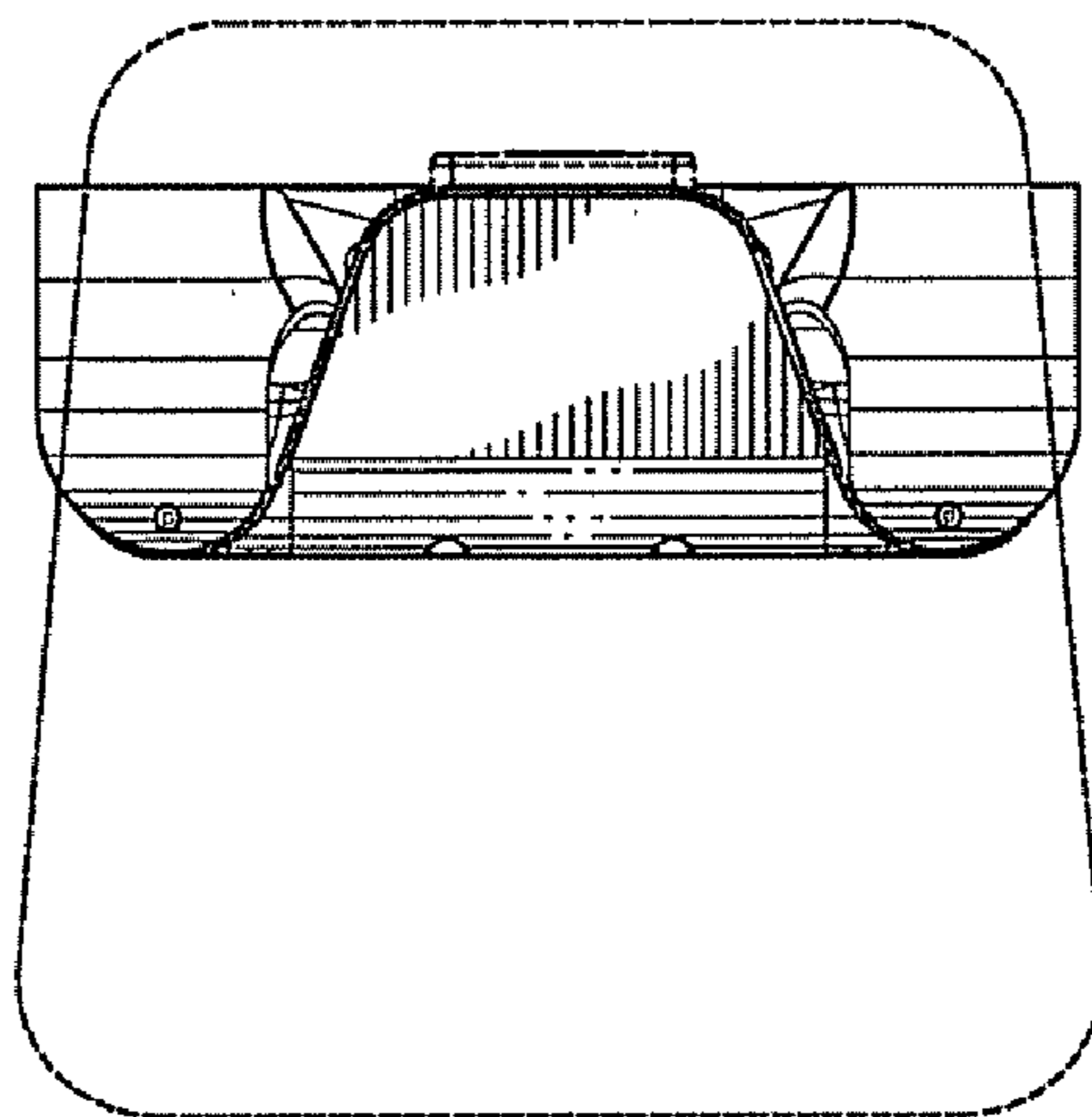


FIG. 16