



US00D604973S

(12) **United States Design Patent**
Morrison et al.

(10) **Patent No.:** **US D604,973 S**
(45) **Date of Patent:** **** Dec. 1, 2009**

(54) **COMBINATION DISPENSER AND
ADVERTISING DISPLAY**

(75) Inventors: **Brett Morrison**, Oakland, CA (US);
Brian Morrison, Miami, FL (US);
Maxmillio Goldschwartz, Hong Kong
(CN)

(73) Assignee: **Terraboost Media, LLC**, Miami, FL
(US)

(**) Term: **14 Years**

(21) Appl. No.: **29/328,900**

(22) Filed: **Dec. 3, 2008**

(51) **LOC (9) Cl.** **20-02**

(52) **U.S. Cl.** **D6/515**

(58) **Field of Classification Search** D6/515-523;
206/389, 391; 211/13.1, 16, 44, 49.1, 50,
211/59.2, 86.01; 222/173, 181.1; 221/282,
221/283; 312/34, 34.8, 34.22, 309.1

See application file for complete search history.

(56) **References Cited**

U.S. PATENT DOCUMENTS

D330,983 S *	11/1992	De Moss	D6/515
D372,613 S *	8/1996	Nixon, II	D6/545
D388,991 S *	1/1998	Thomas et al.	D6/515
5,717,374 A	2/1998	Smith		
5,810,201 A	9/1998	Besse et al.		
5,865,340 A	2/1999	Alvern		

(Continued)

Primary Examiner—Brian N Vinson

(74) *Attorney, Agent, or Firm*—GrayRobinson, P.A.

(57) **CLAIM**

The ornamental design of a combination dispenser and advertising display, as shown and described.

DESCRIPTION

FIG. 1 is a front perspective view of a first embodiment thereof;

FIG. 2 is a rear perspective view of a first embodiment thereof;

FIG. 3 is a front elevational view of a first embodiment thereof;

FIG. 4 is a rear elevational view of a first embodiment thereof;

FIG. 5 is a left side elevational view of a first embodiment thereof;

FIG. 6 is a right side elevational view of a first embodiment thereof;

FIG. 7 is a top plan view of a first embodiment thereof;

FIG. 8 is a bottom plan view of a first embodiment thereof;

FIG. 9 is a front perspective view of a second embodiment thereof;

FIG. 10 is a rear perspective view of a second embodiment thereof;

FIG. 11 is a front elevational view of a second embodiment thereof;

FIG. 12 is a rear elevational view of a second embodiment thereof;

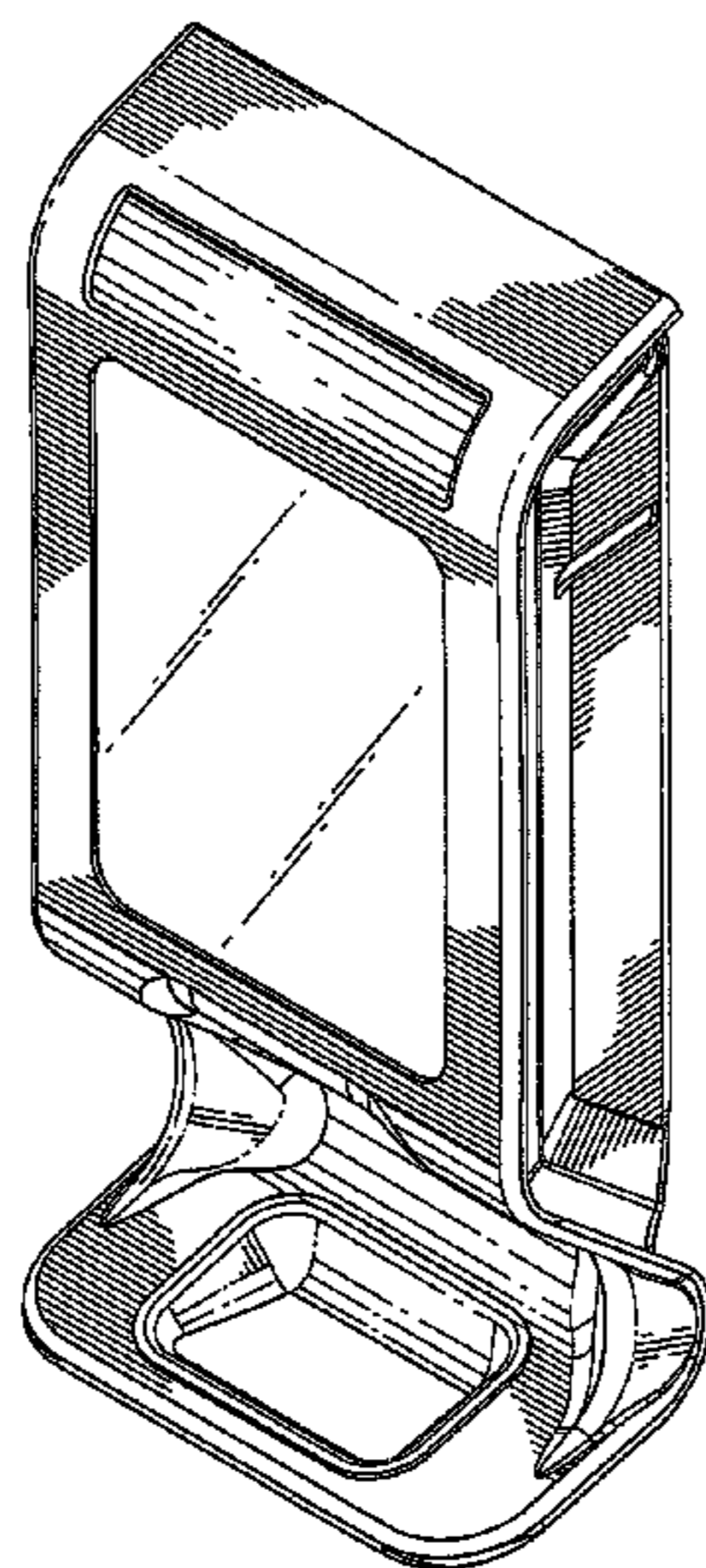
FIG. 13 is a right side elevational view of a second embodiment thereof;

FIG. 14 is a left side elevational view of a second embodiment thereof;

FIG. 15 is a top plan view of a second embodiment thereof; and,

FIG. 16 is a bottom plan view of a second embodiment thereof.

1 Claim, 6 Drawing Sheets



US D604,973 S

Page 2

U.S. PATENT DOCUMENTS

D419,804 S *	2/2000	Reitman	D6/515	D572,955 S *	7/2008	Barcena Zafra	D6/515
D431,931 S *	10/2000	Sicignano, III	D6/515	D578,328 S *	10/2008	Plum et al.	D6/515
D463,928 S *	10/2002	Kauzlarich et al.	D6/515	D586,598 S *	2/2009	Tefel et al.	D6/515
6,691,897 B2	2/2004	Ashe		D594,260 S *	6/2009	Pattberg	D6/515
6,783,028 B1	8/2004	Ambrose et al.		2006/0155600 A1	7/2006	Mays	
6,866,166 B2	3/2005	Mehes et al.		2007/0023455 A1	2/2007	Krengel et al.	
7,131,468 B2	11/2006	Schuman et al.		2007/0137726 A1	6/2007	Yan	
				2008/0021779 A1	1/2008	Lynn et al.	

* cited by examiner

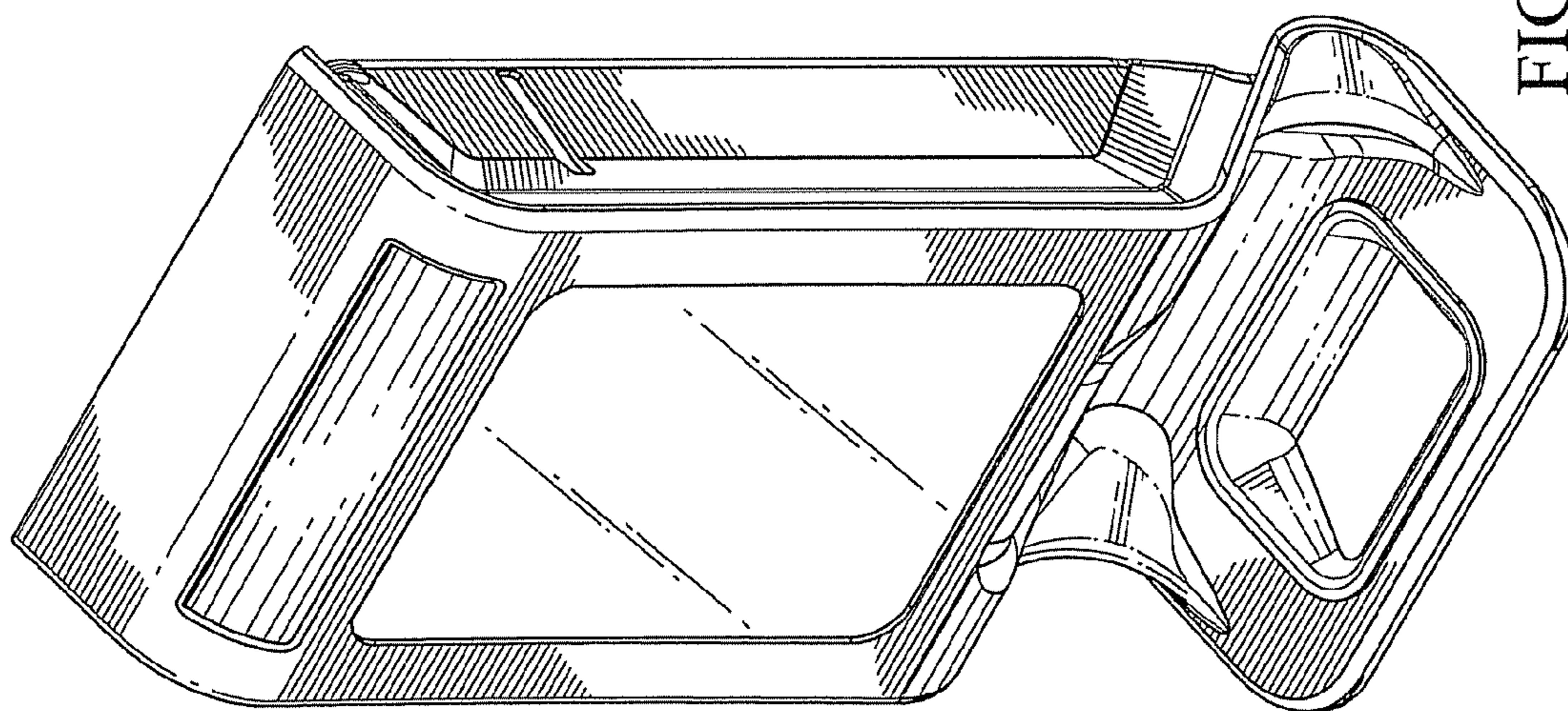


FIG. 1

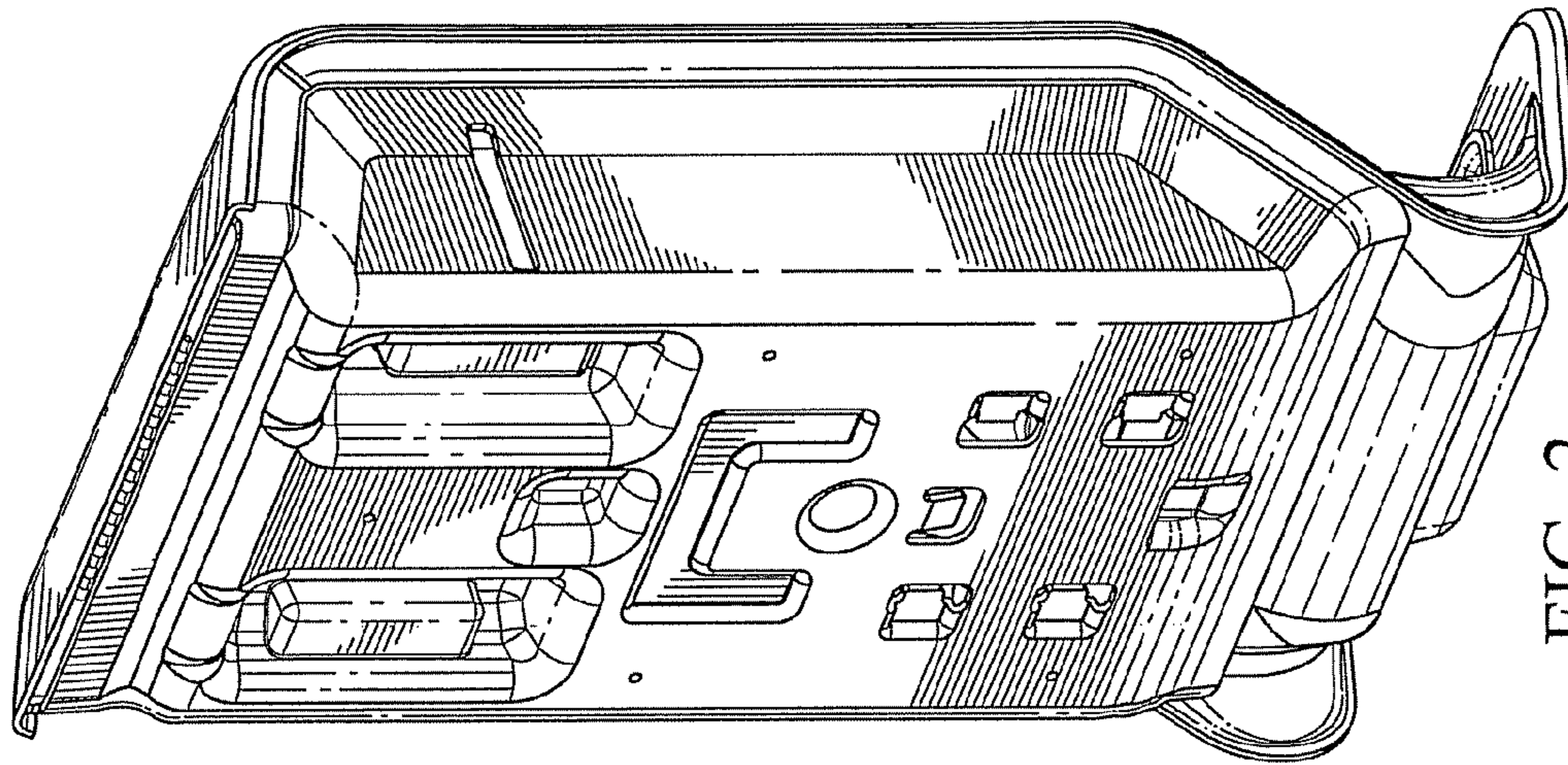


FIG. 2

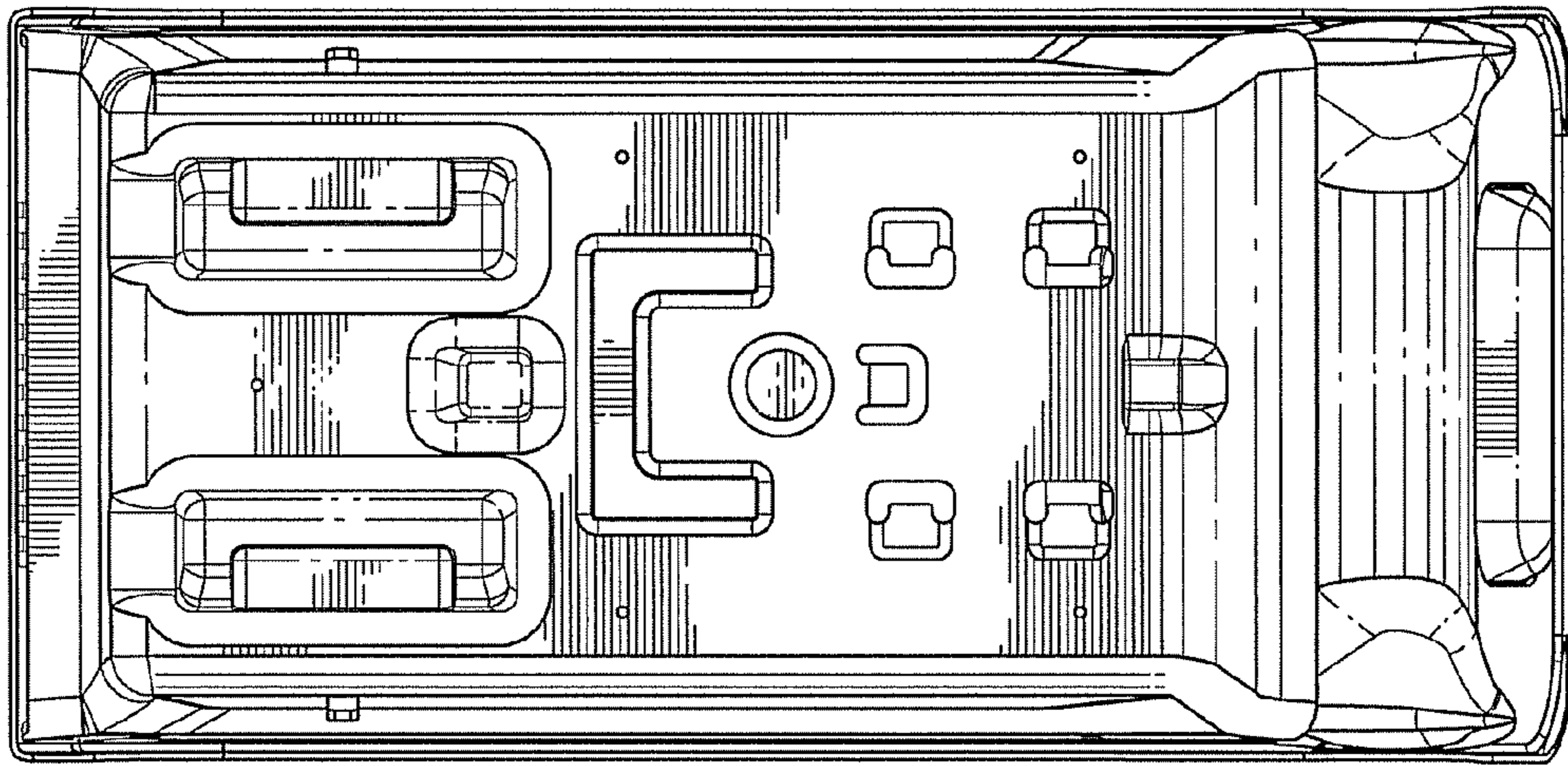


FIG. 4

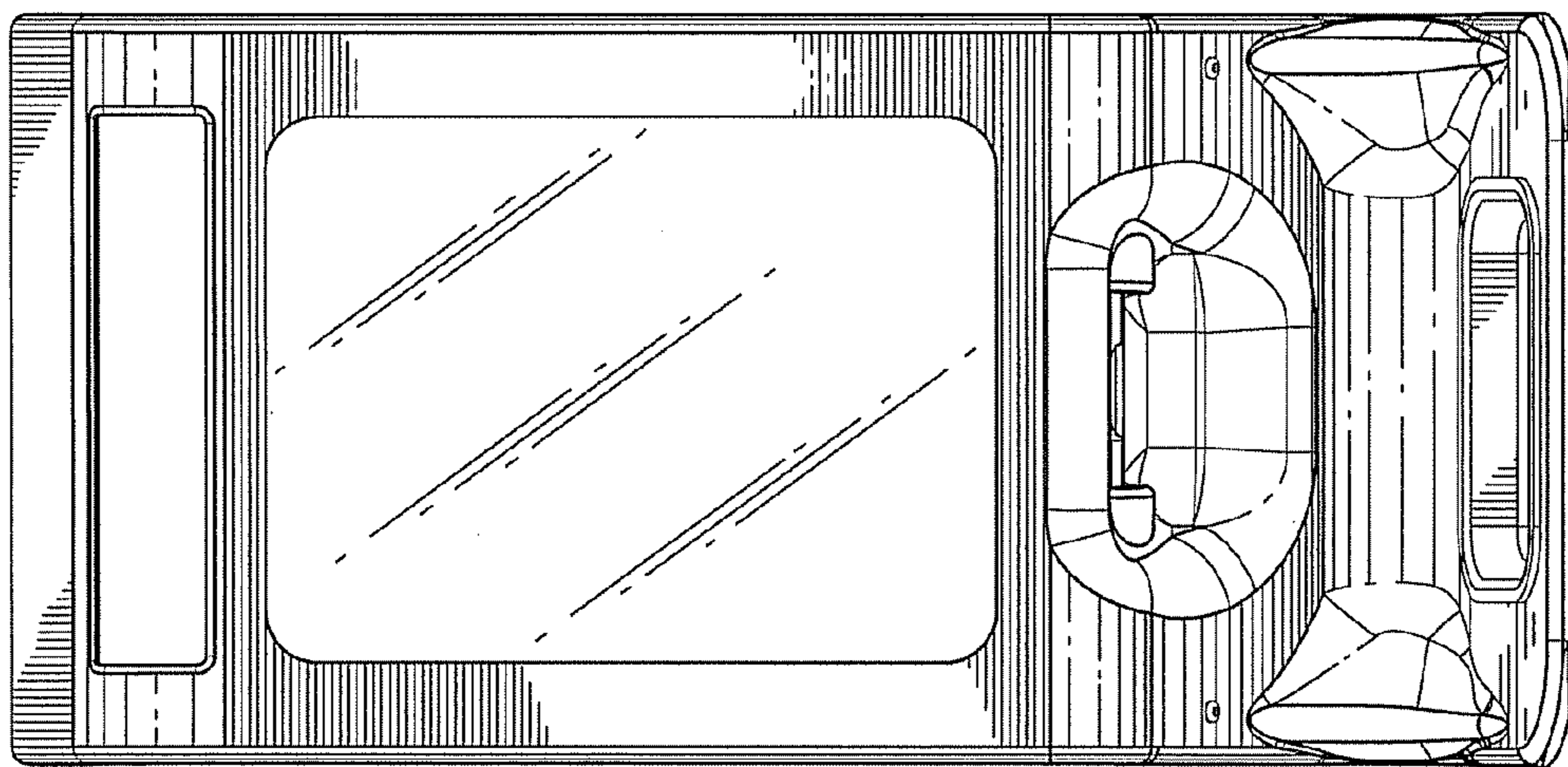


FIG. 3

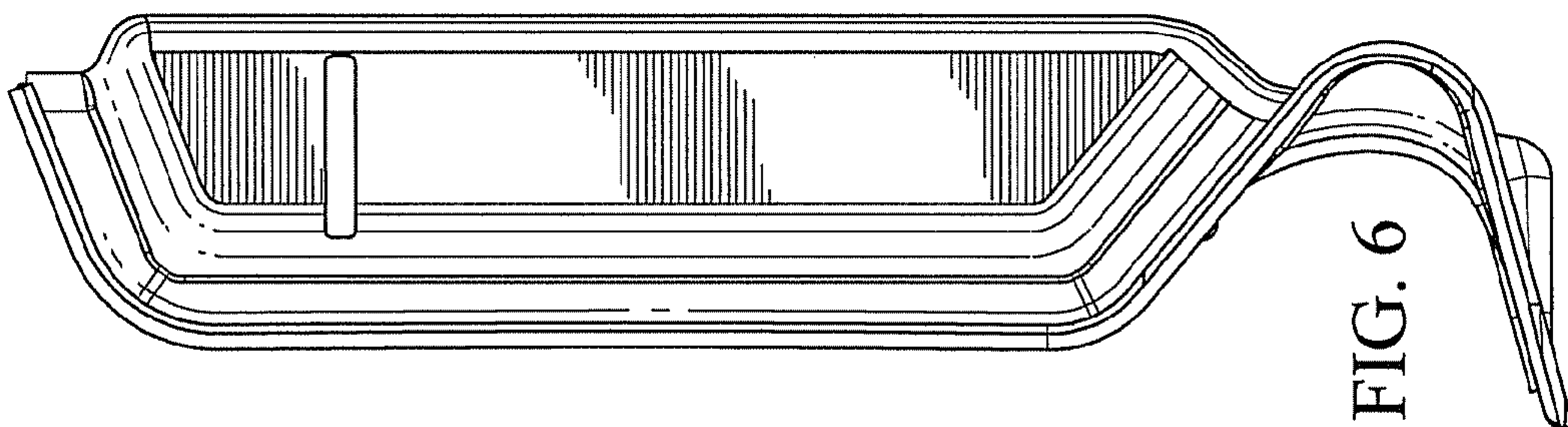


FIG. 5

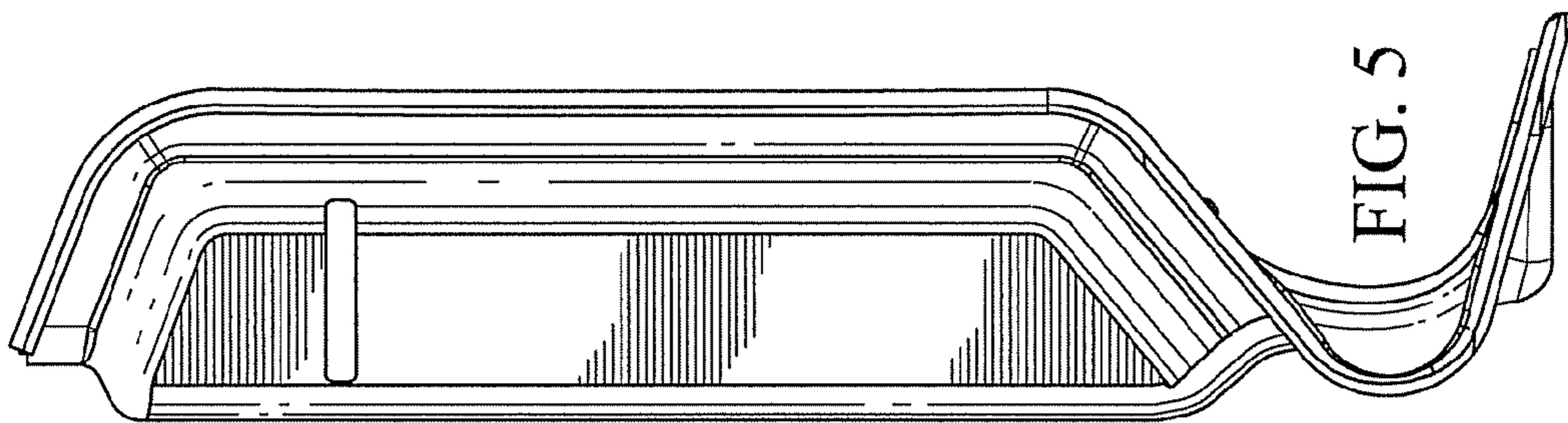


FIG. 6

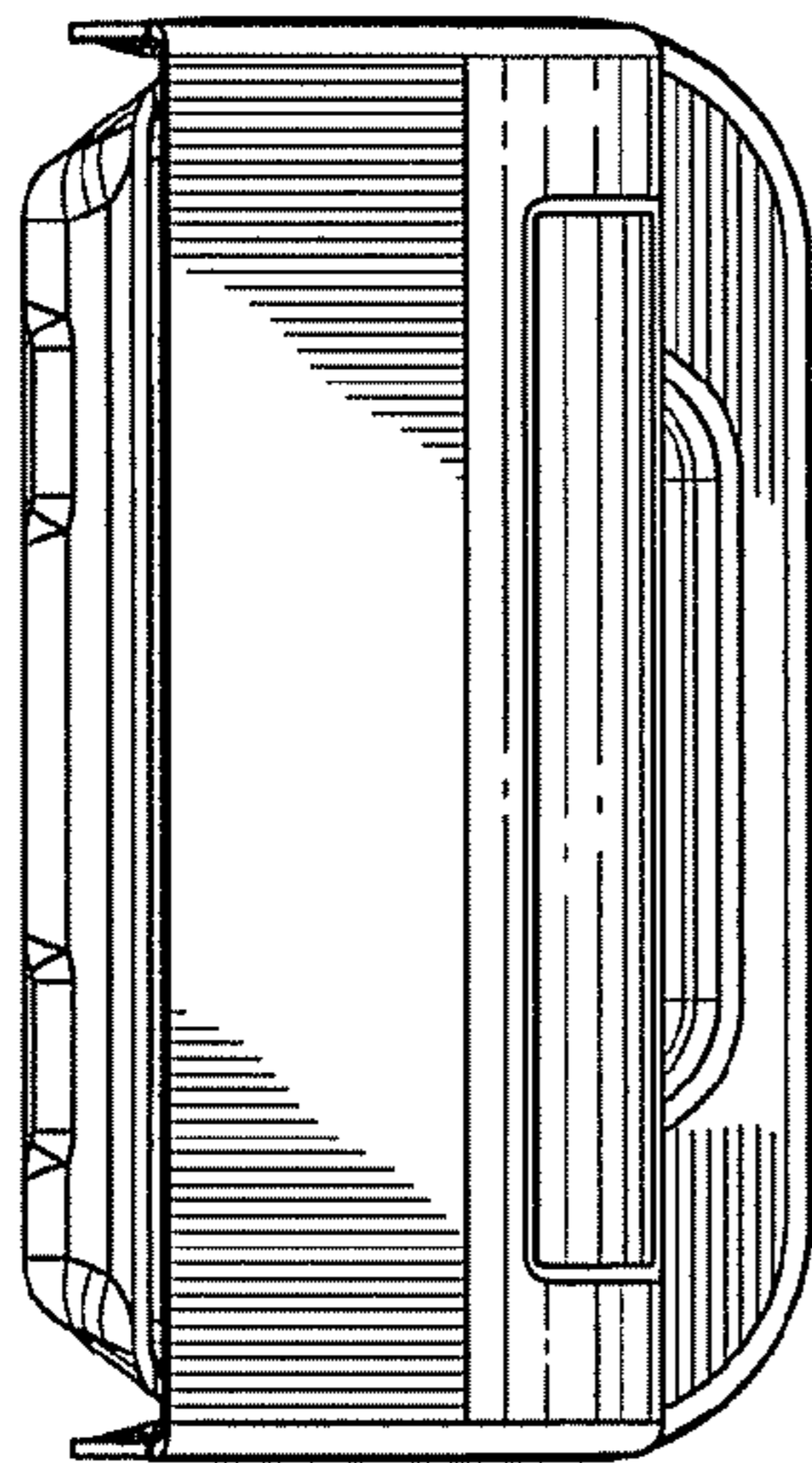


FIG. 7

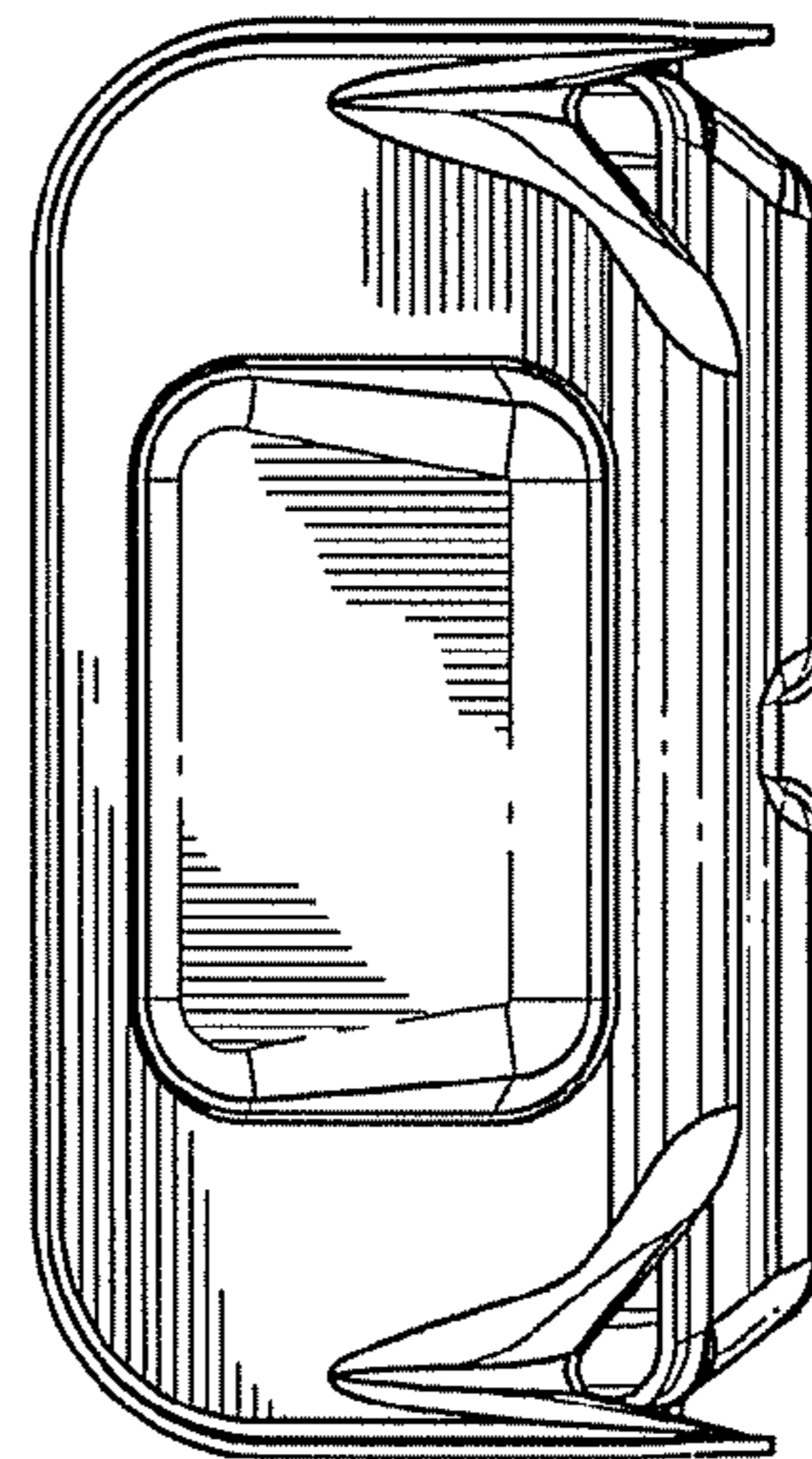


FIG. 8

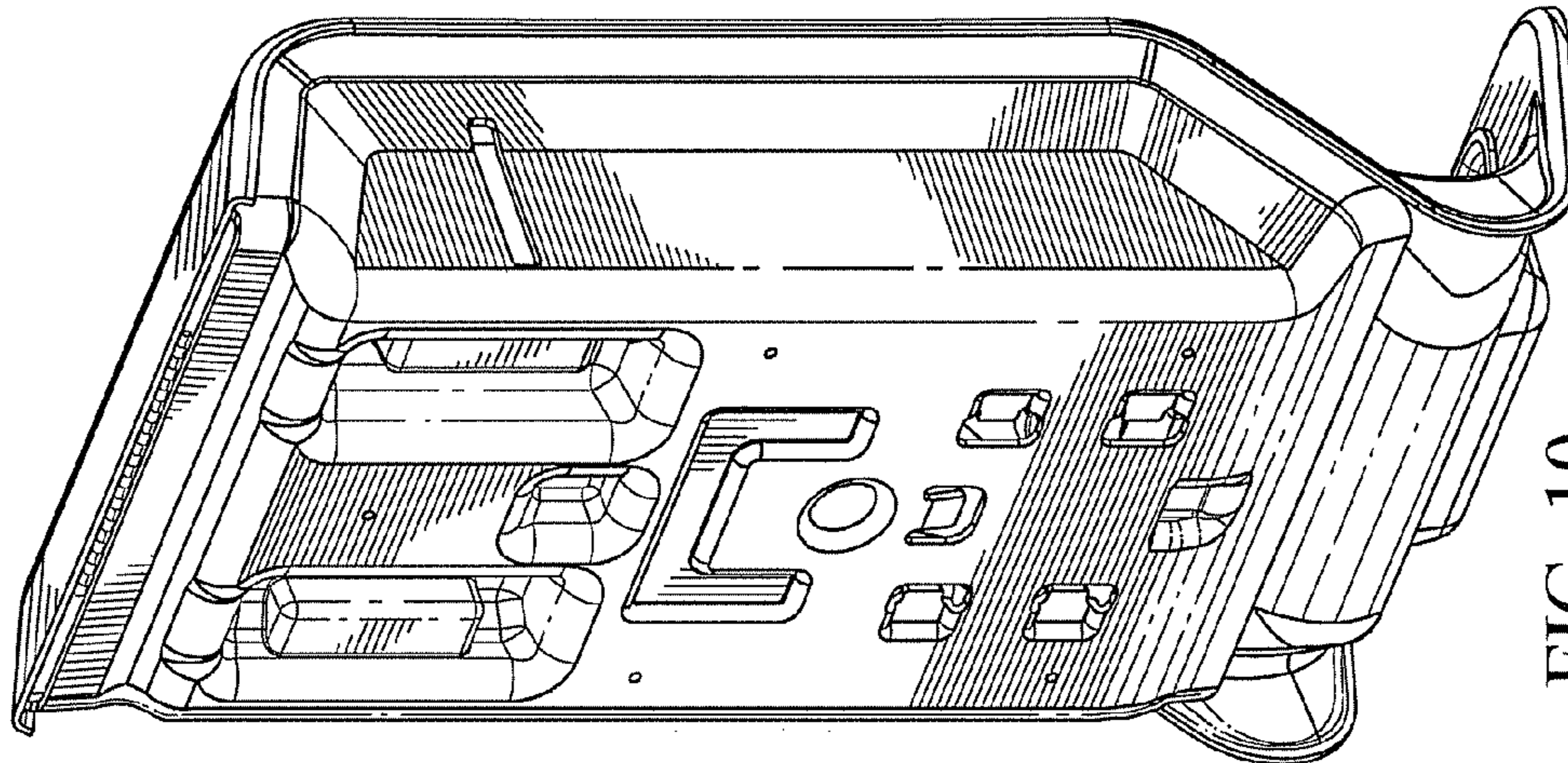


FIG. 10

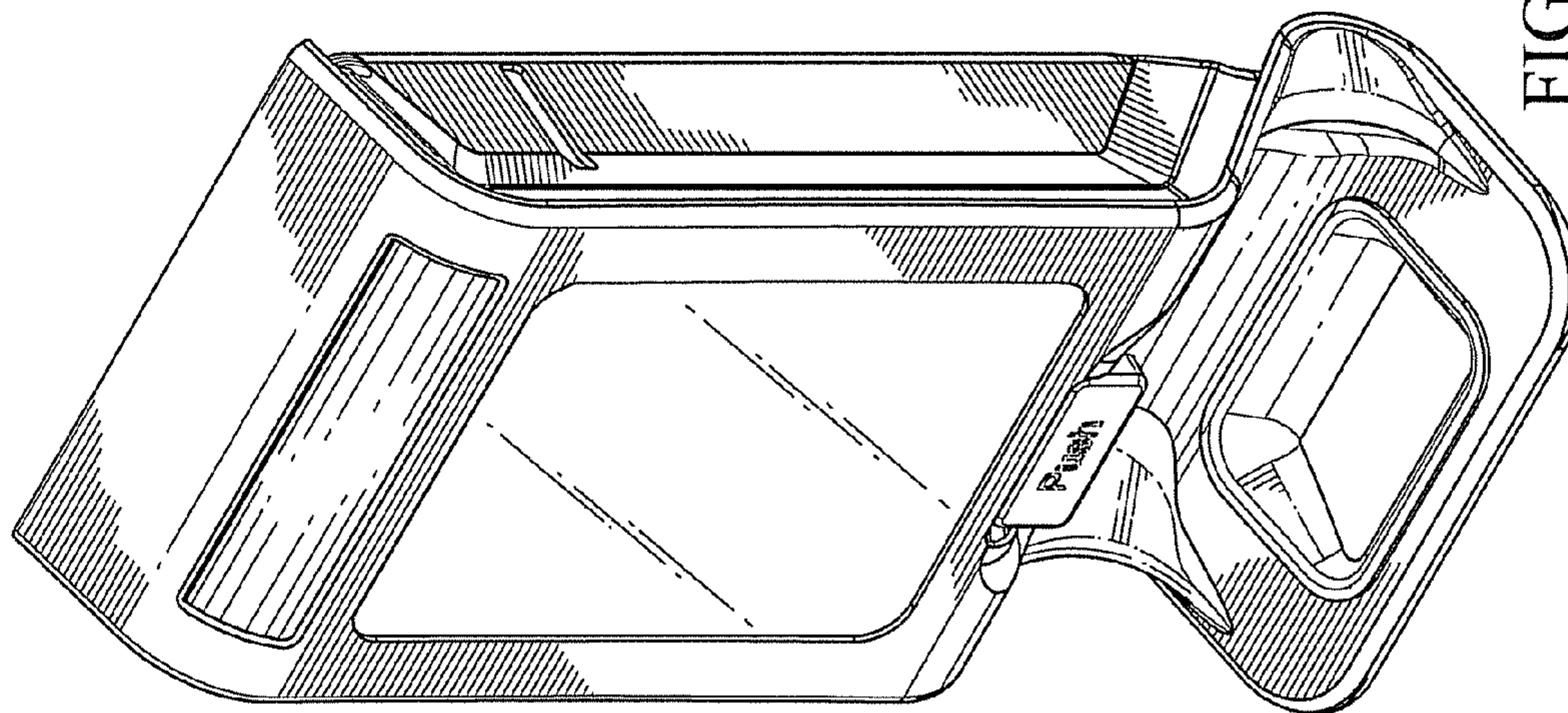


FIG. 9

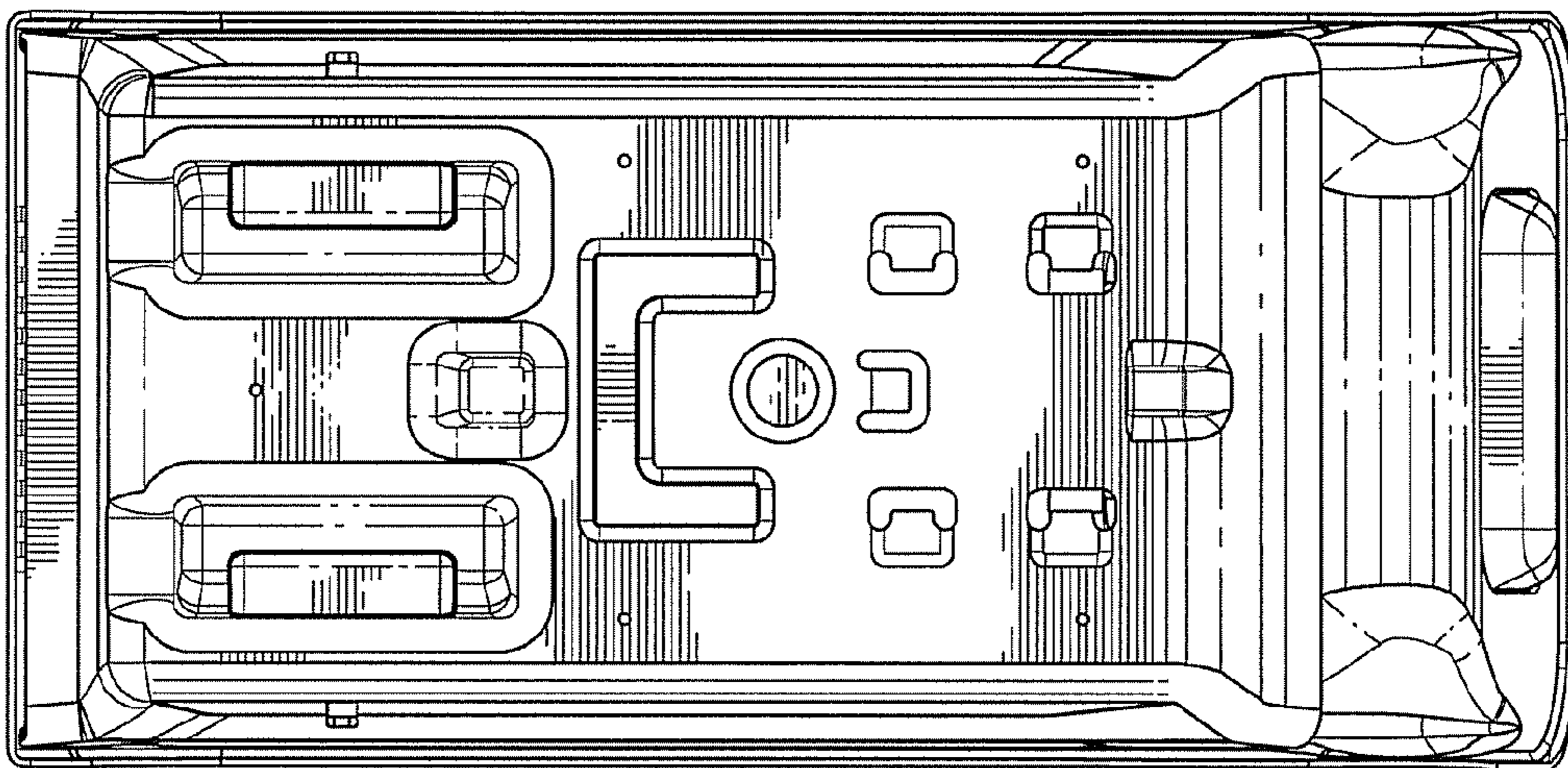


FIG. 12

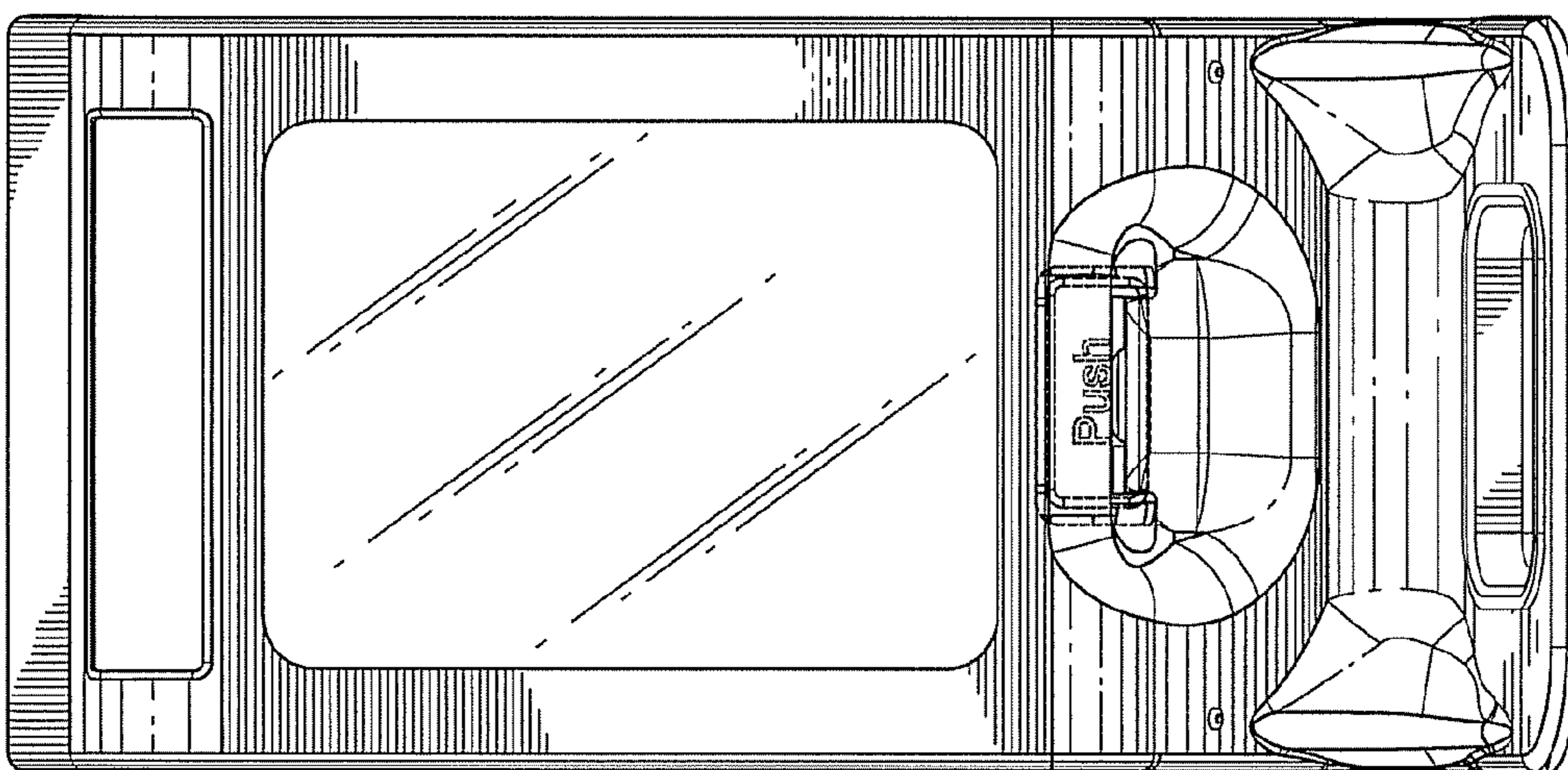


FIG. 11

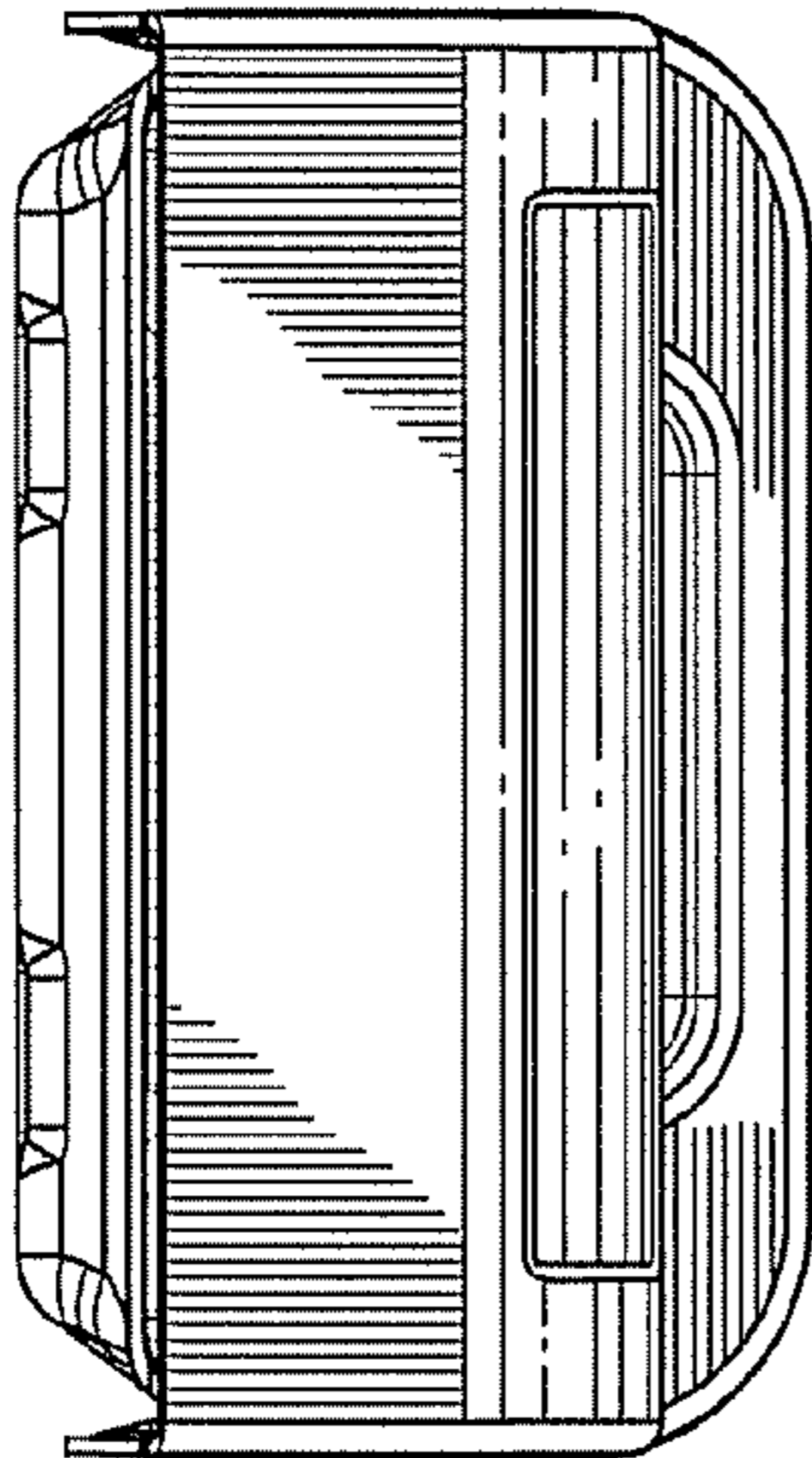


FIG. 15

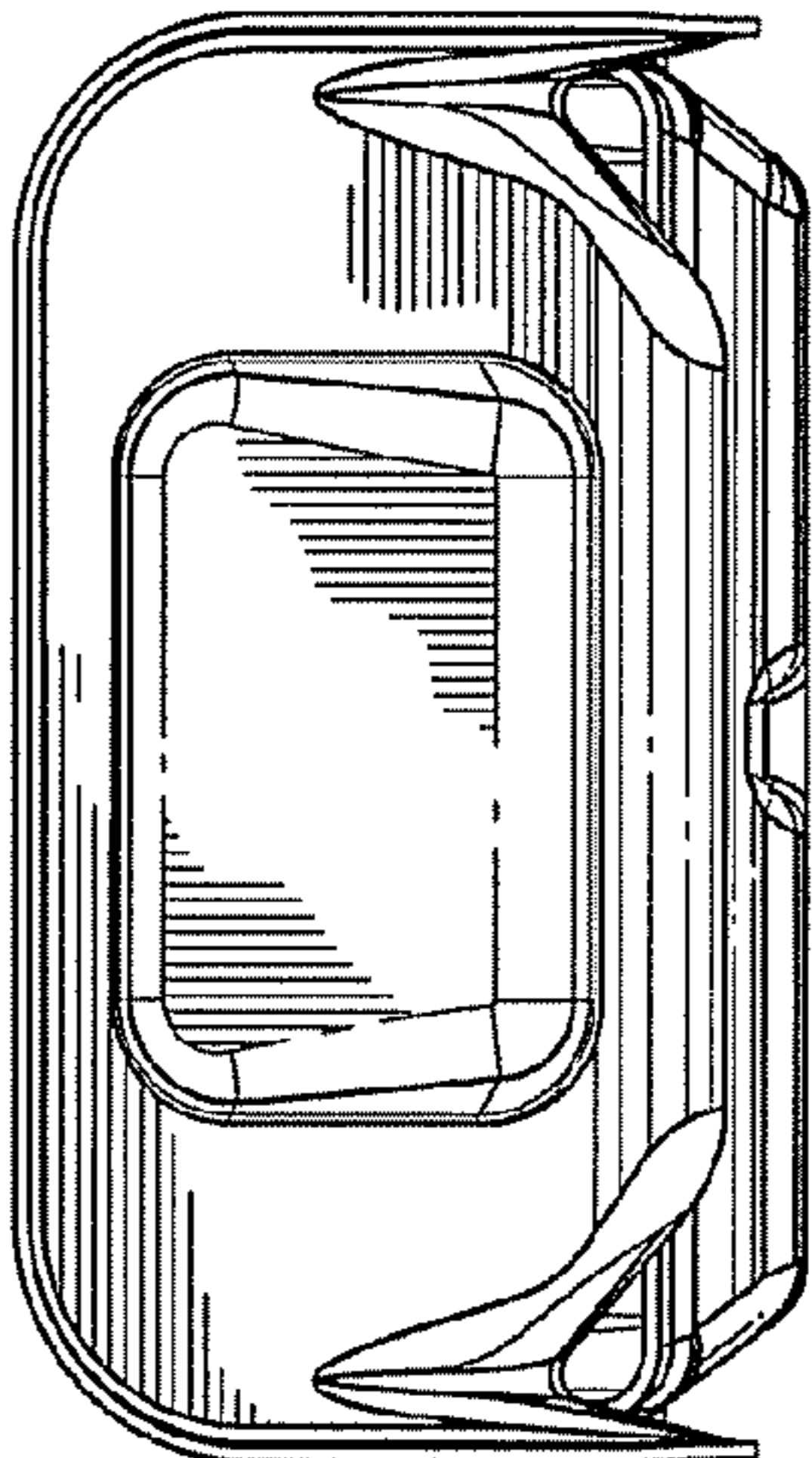


FIG. 16

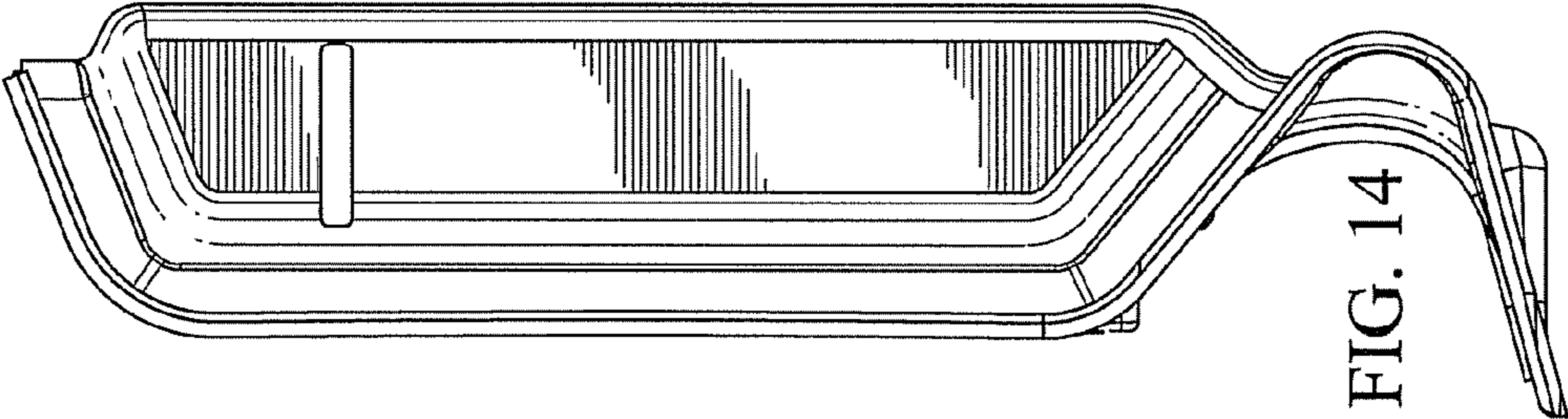


FIG. 14

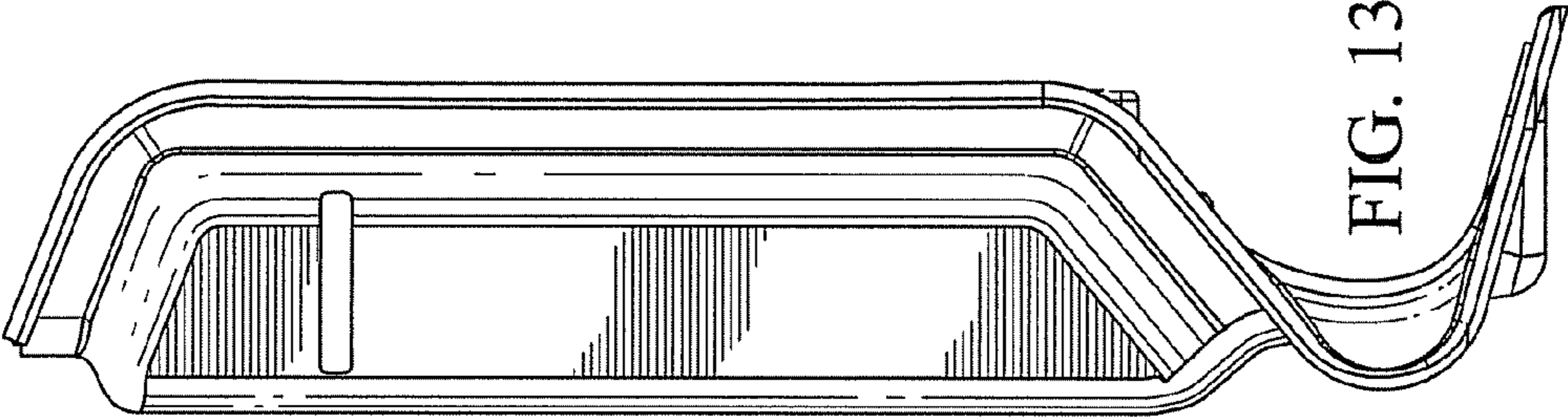


FIG. 13