



US00D604972S

(12) **United States Design Patent**
Henry et al.

(10) **Patent No.:** **US D604,972 S**
(45) **Date of Patent:** **** Dec. 1, 2009**

(54) **GRAVITY FED DISPENSER**

(75) Inventors: **Eric Henry**, East Rutherford, NJ (US);
Craig Hockenbury, Union, NJ (US);
Margaret Kime, Baltimore, MD (US);
James E. Brennan, Phoenix, MD (US)

(73) Assignee: **McCormick & Company, Inc.**, Sparks,
MD (US)

(**) Term: **14 Years**

(21) Appl. No.: **29/303,655**

(22) Filed: **Feb. 14, 2008**

Related U.S. Application Data

(62) Division of application No. 29/277,680, filed on Mar.
6, 2007, now Pat. No. Des. 563,127.

(51) **LOC (9) Cl.** **20-02**

(52) **U.S. Cl.** **D6/515**

(58) **Field of Classification Search** D6/515,
D6/517; D7/705-708; 211/85.5, 59.2, 47;
206/139; 221/282-284; 222/173

See application file for complete search history.

(56) **References Cited**

U.S. PATENT DOCUMENTS

1,746,137 A	2/1930	Winter	
2,057,617 A	10/1936	Keith	
2,852,327 A *	9/1958	Mason	211/59.2
2,888,145 A	5/1959	Knott et al.	
3,704,792 A	12/1972	Wiese	
3,784,022 A	1/1974	Beesley, Jr.	
3,805,964 A	4/1974	Titus, Jr.	
4,105,126 A	8/1978	Deffner et al.	
4,228,903 A *	10/1980	Eckert	211/59.2
4,344,367 A	8/1982	Merl	
4,356,923 A *	11/1982	Young et al.	211/59.2
4,454,948 A	6/1984	Spamer	
4,685,574 A	8/1987	Young et al.	
4,732,282 A	3/1988	Lockwood	
D297,082 S	8/1988	Binder et al.	

4,788,117 A	11/1988	Cuthbert et al.	
4,923,070 A	5/1990	Jackle et al.	
4,925,038 A	5/1990	Gajewski	
5,097,962 A	3/1992	Eklof et al.	
D342,420 S *	12/1993	Ienna	D6/517
D380,113 S *	6/1997	Byrd	D6/515
D381,849 S *	8/1997	Snyder	D6/515
5,671,861 A	9/1997	Hall et al.	
5,695,074 A	12/1997	Wiese	
5,749,478 A	5/1998	Ellis	
5,788,117 A *	8/1998	Zimmanck	211/59.2
5,806,690 A	9/1998	Johnson et al.	

(Continued)

Primary Examiner—Brian N Vinson
(74) *Attorney, Agent, or Firm*—Oblon, Spivak, McClelland,
Maier & Neustadt, L.L.P.

(57) **CLAIM**

The ornamental design for a gravity fed dispenser or the like,
as shown and described.

DESCRIPTION

FIG. 1 is a front elevational view of a gravity fed dispenser or
the like, showing our new design;

FIG. 2 is a rear elevational view thereof;

FIG. 3 is a left side elevational view thereof;

FIG. 4 is a right side elevational view thereof;

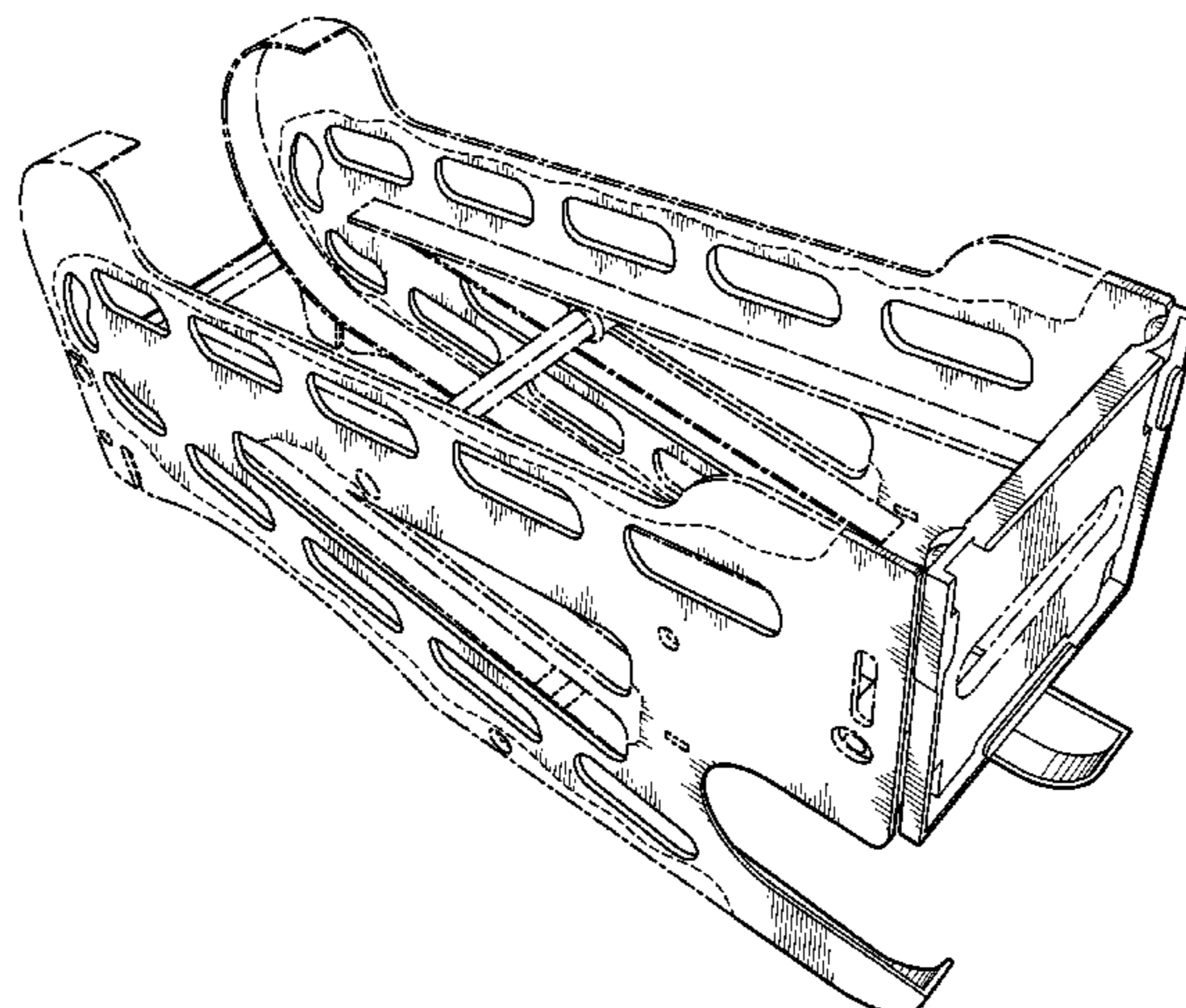
FIG. 5 is a top plan view thereof;

FIG. 6 is a bottom plan view thereof; and,

FIG. 7 is a top, front, and right side perspective view thereof.

The broken-line disclosure in the views is understood to
illustrate portions of the article in which the claimed design is
embodied, but which form no part of the claimed design, and
the irregular broken-line between claimed and unclaimed
surfaces is understood to represent and unclaimed boundary
between claimed and unclaimed surfaces.

1 Claim, 6 Drawing Sheets



US D604,972 S

Page 2

U.S. PATENT DOCUMENTS				
D402,837	S	*	12/1998	Boire et al. D6/515
6,068,139	A		5/2000	Brozak, Jr.
6,142,316	A		11/2000	Harbour et al.
6,173,845	B1		1/2001	Higgins et al.
6,227,386	B1		5/2001	Close
6,328,170	B1		12/2001	Lee
6,340,091	B1		1/2002	Romeo et al.
6,513,667	B2		2/2003	Battaglia et al.
6,637,604	B1		10/2003	Jay
6,701,736	B1		3/2004	Johnson
6,779,670	B2		8/2004	Primiano et al.
D499,914	S	*	12/2004	Rimback D6/515
6,877,618	B2		4/2005	Mason
6,964,235	B2		11/2005	Hardy
6,991,116	B2		1/2006	Johnson et al.
7,124,898	B2		10/2006	Richter et al.
7,182,209	B2		2/2007	Squitieri
7,207,447	B2		4/2007	Medcalf et al.
2002/0043509	A1		4/2002	Lajeunesse et al.
2003/0006681	A1		1/2003	Herron, III et al.
2004/0011751	A1		1/2004	Johnson et al.
2005/0127015	A1		6/2005	Medcalf et al.
2006/0196840	A1		9/2006	Jay et al.

* cited by examiner

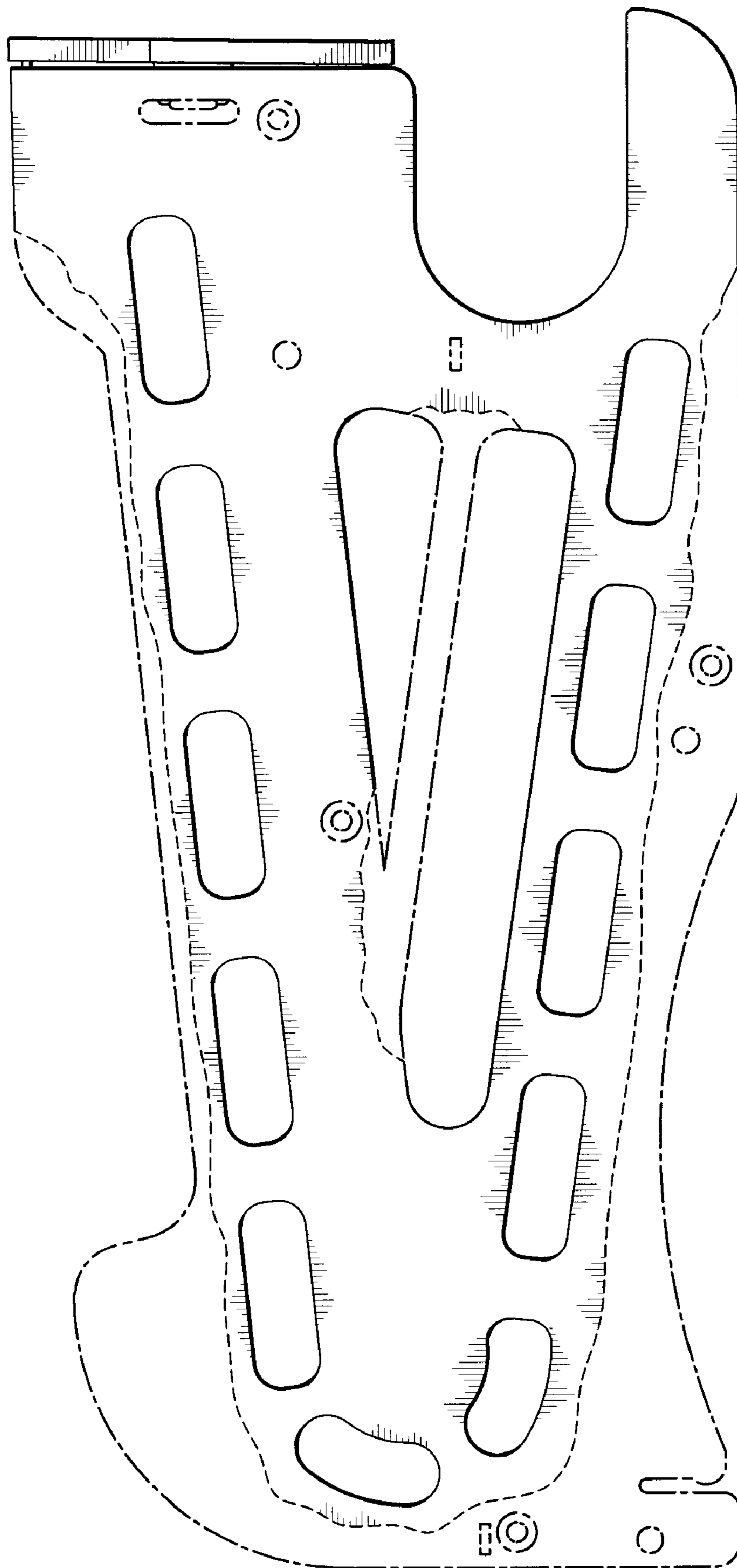


Fig. 1

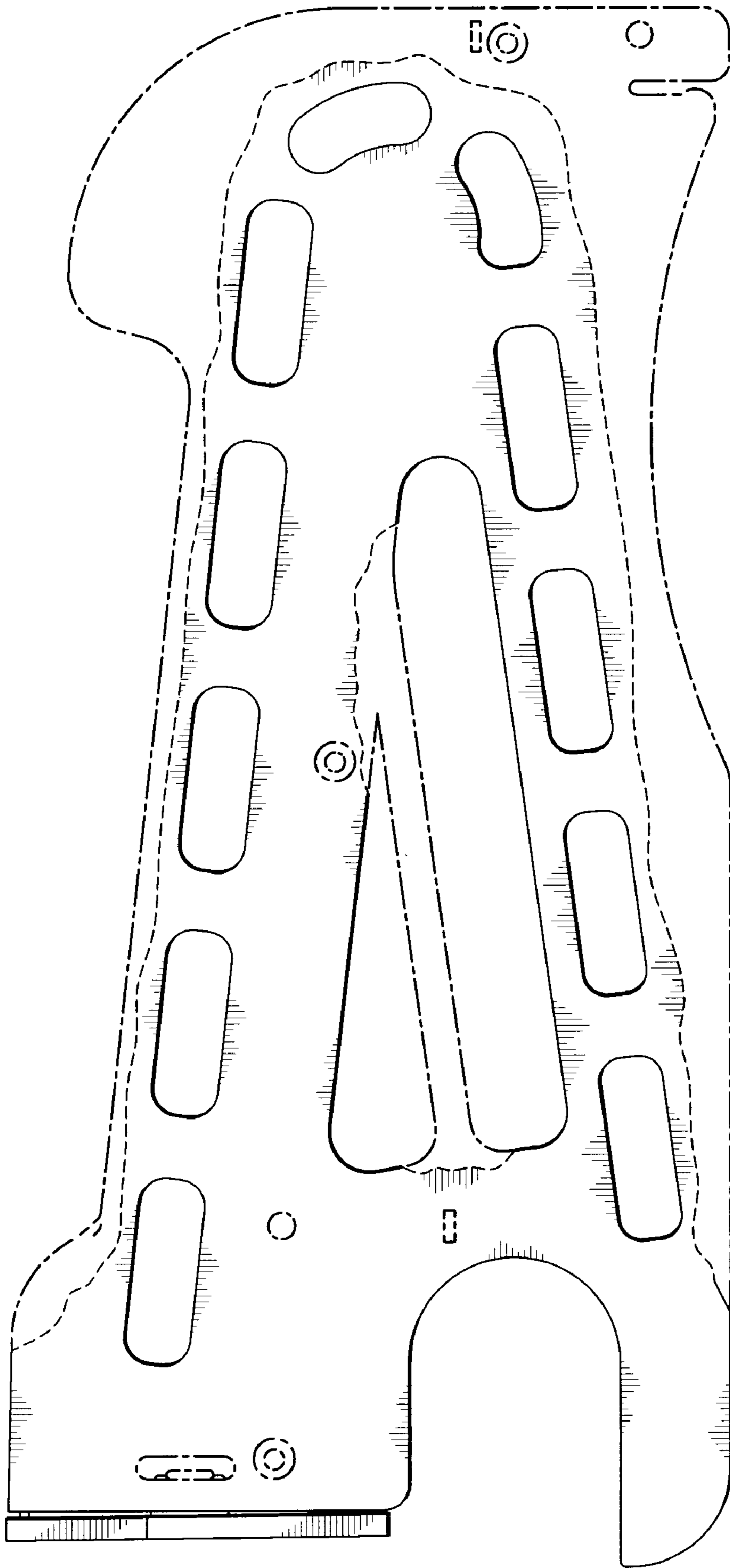


Fig. 2

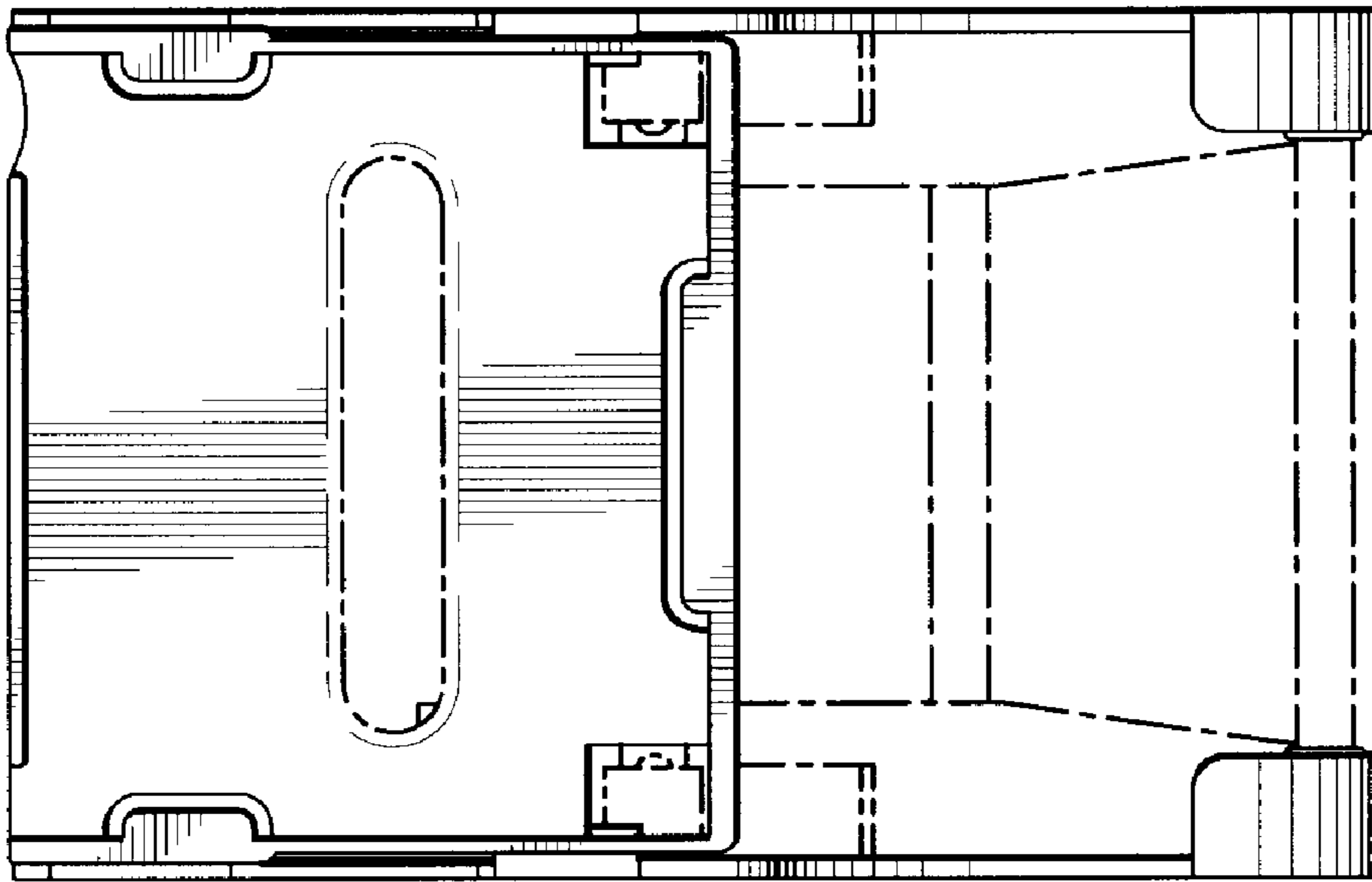


Fig. 4

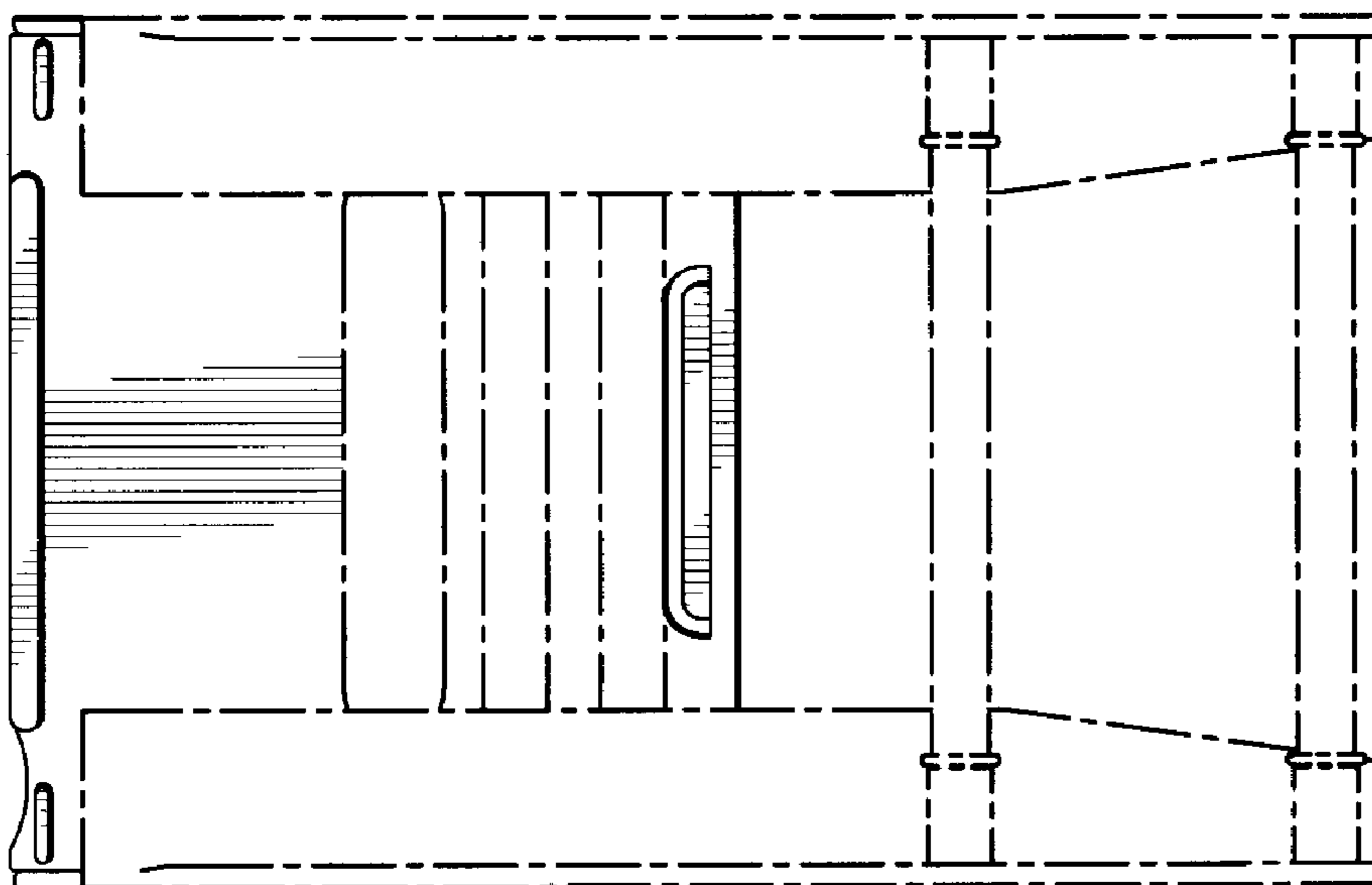


Fig. 3

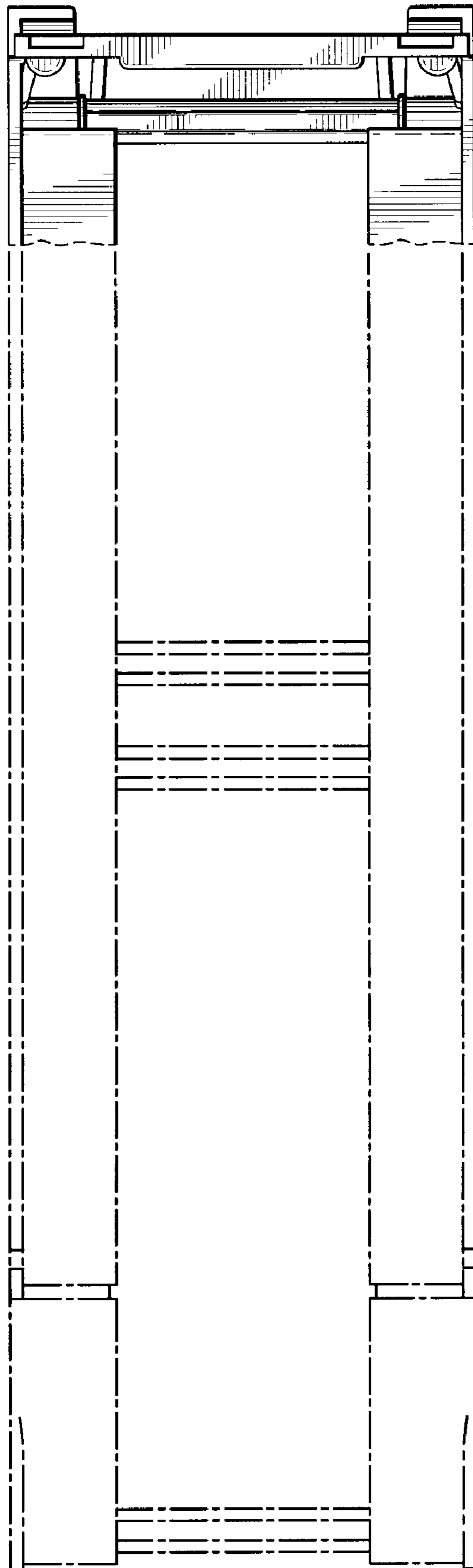


Fig. 5

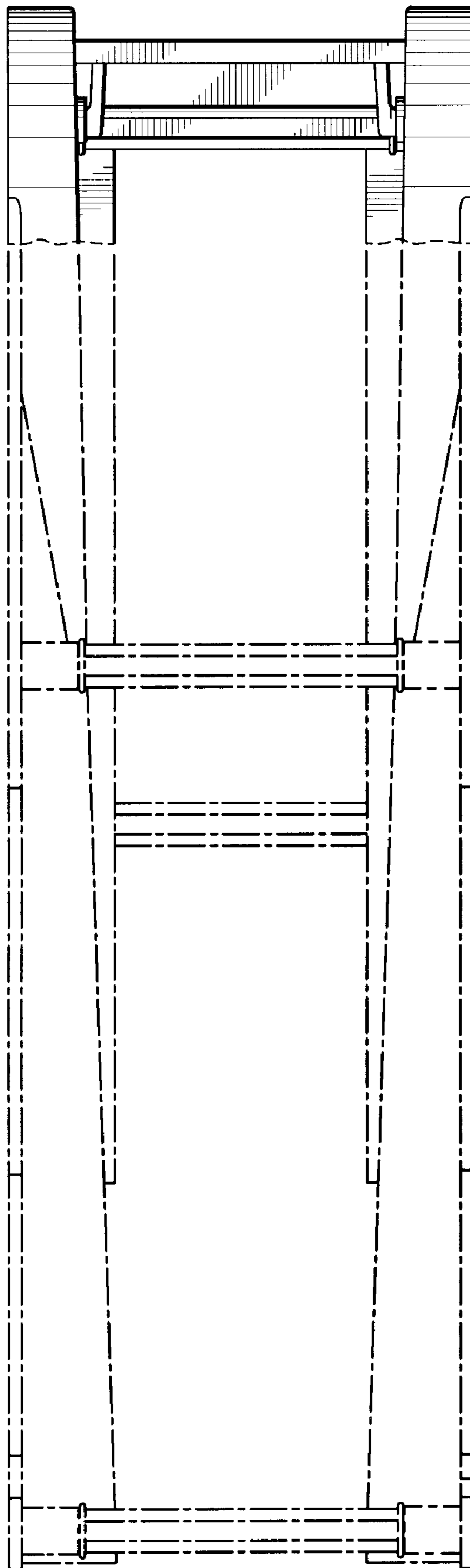


Fig. 6

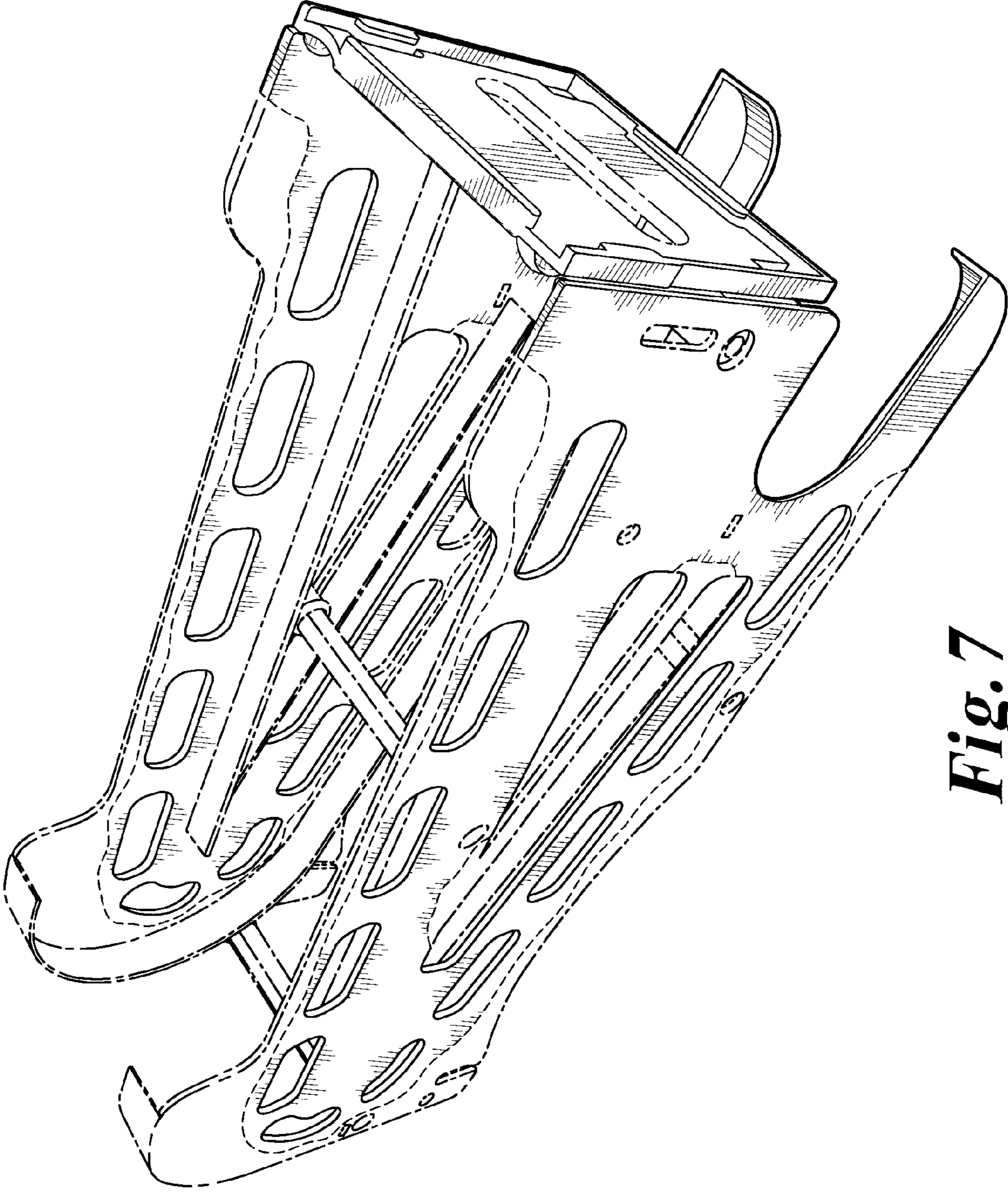


Fig. 7