

US00D604971S

(12) **United States Design Patent**  
**Lampman et al.**

(10) **Patent No.:** **US D604,971 S**

(45) **Date of Patent:** **\*\* Dec. 1, 2009**

(54) **COMPUTER RETAIL DISPLAY STAND**

(75) Inventors: **Linda Lampman**, San Diego, CA (US);  
**Anthony Ian Lynas**, Tustin, CA (US)

(73) Assignees: **Sony Corporation**, Tokyo (JP); **Sony Electronics Inc.**, Park Ridge, NJ (US)

(\*\*) Term: **14 Years**

(21) Appl. No.: **29/326,580**

(22) Filed: **Oct. 21, 2008**

(51) **LOC (9) Cl.** ..... **06-06**

(52) **U.S. Cl.** ..... **D6/511**

(58) **Field of Classification Search** ..... D6/422-426,  
D6/429, 480, 509, 511, 474, 466, 491; D14/447;  
108/147.1, 144.11; 312/194-196, 203, 239;  
248/188.5

See application file for complete search history.

(56) **References Cited**

**U.S. PATENT DOCUMENTS**

D279,635 S *	7/1985	Aasen	.....	D6/491
D393,382 S *	4/1998	Rutter et al.	.....	D6/474
D394,172 S *	5/1998	Kubo et al.	.....	D6/474
D492,856 S *	7/2004	Rossini et al.	.....	D6/426
D493,042 S *	7/2004	Rossini et al.	.....	D6/426
D535,509 S *	1/2007	Rossini et al.	.....	D6/511

\* cited by examiner

*Primary Examiner*—Joel Sincavage  
*Assistant Examiner*—Sydney R Buffalow

(74) *Attorney, Agent, or Firm*—John L. Rogitz

(57) **CLAIM**

The ornamental design for a computer retail display stand, as shown and described.

**DESCRIPTION**

FIG. 1 is a perspective view of the computer retail display stand from the top with the pull-out pamphlet support retracted;

FIG. 2 is a perspective view of the computer retail display stand from the top with the pull-out pamphlet support extended;

FIG. 3 is a perspective view of the computer retail display stand from the bottom with the pull-out pamphlet support retracted;

FIG. 4 is a top plan view of the computer retail display stand with the pull-out pamphlet support extended;

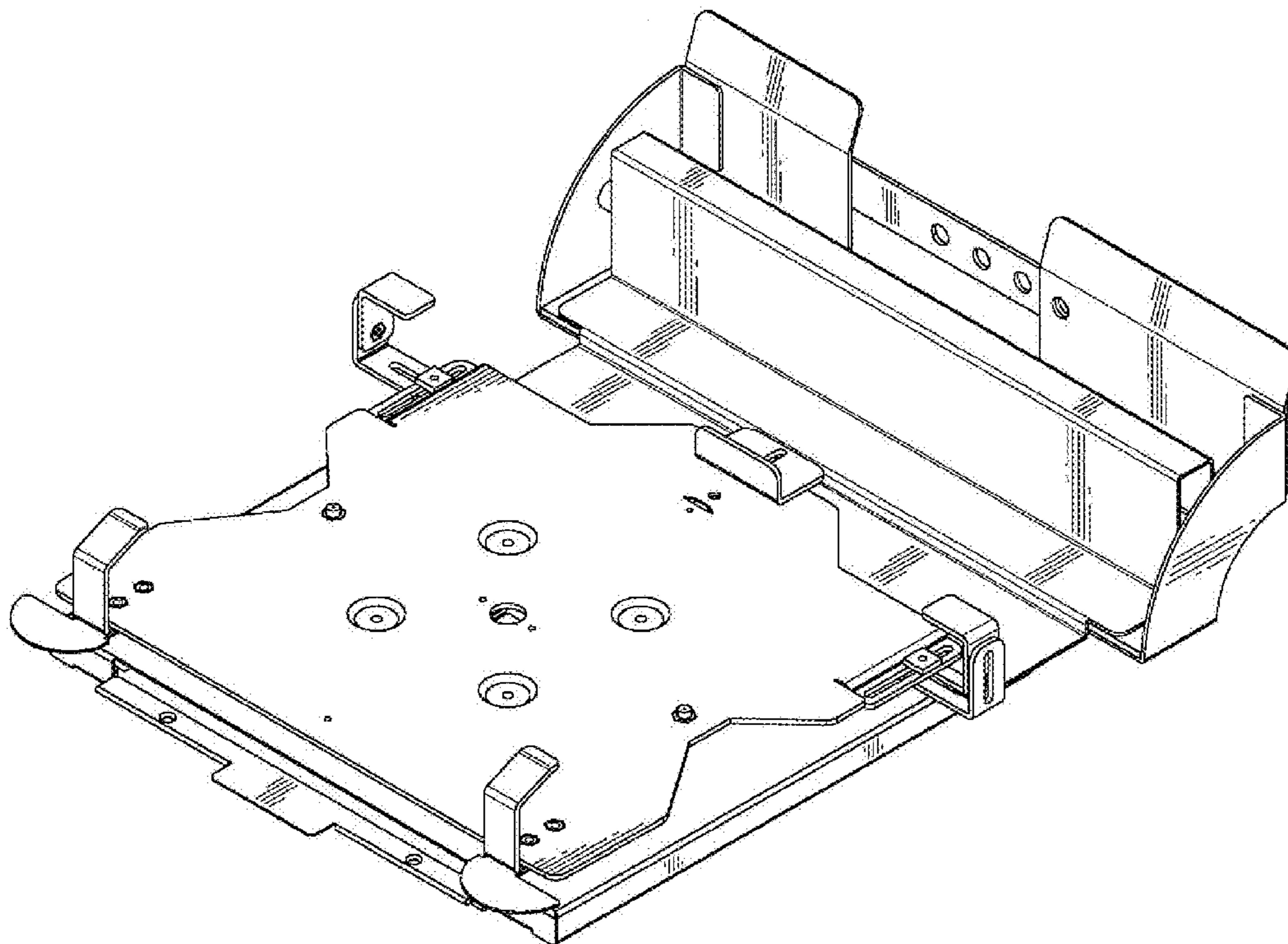
FIG. 5 is a bottom plan view of the computer retail display stand with the pull-out pamphlet support extended;

FIG. 6 is a front elevational view of the computer retail display stand;

FIG. 7 is a side elevational view of the computer retail display stand; and,

FIG. 8 is a rear elevational view of the computer retail display stand.

**1 Claim, 7 Drawing Sheets**



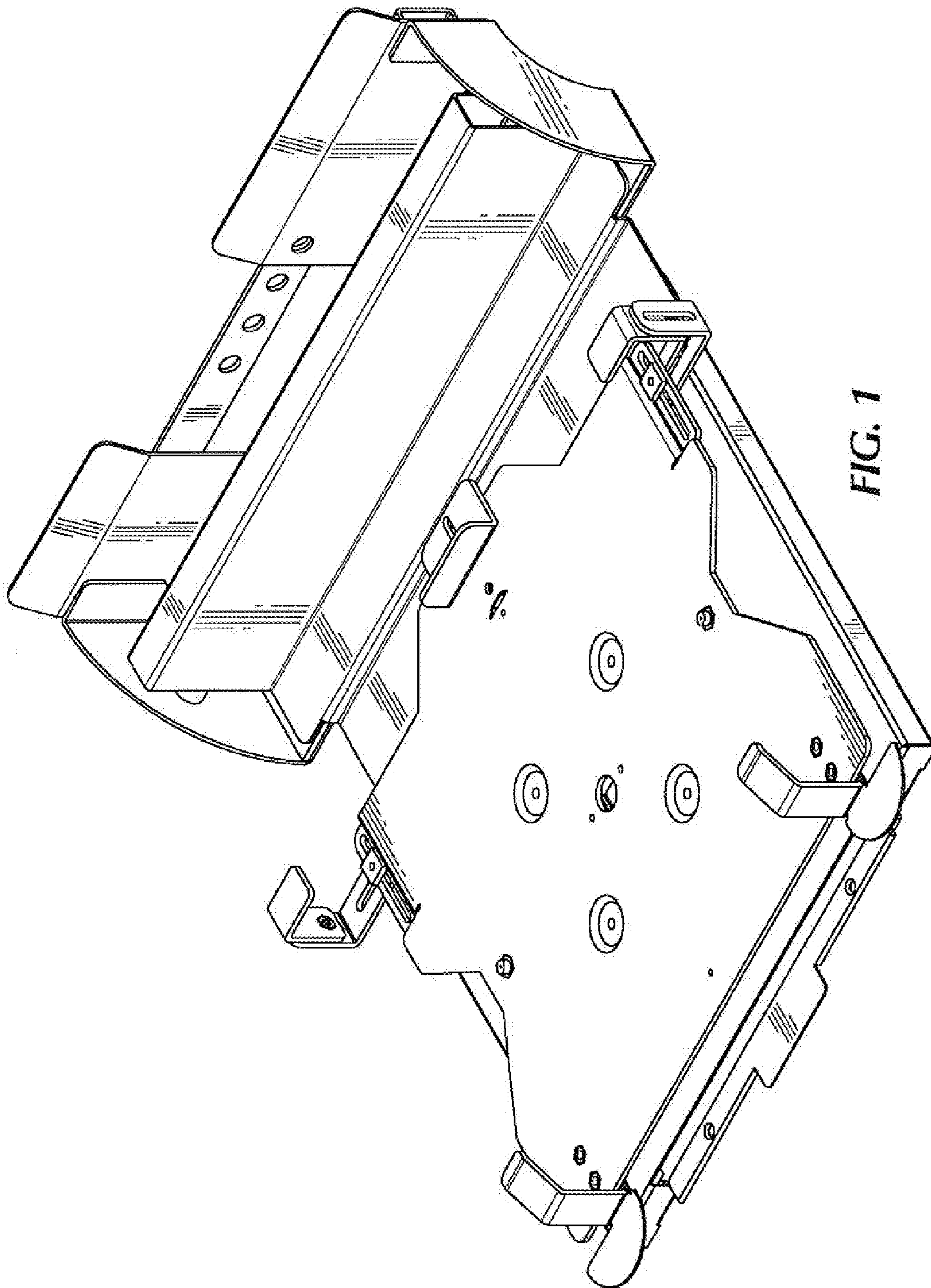


FIG. 1



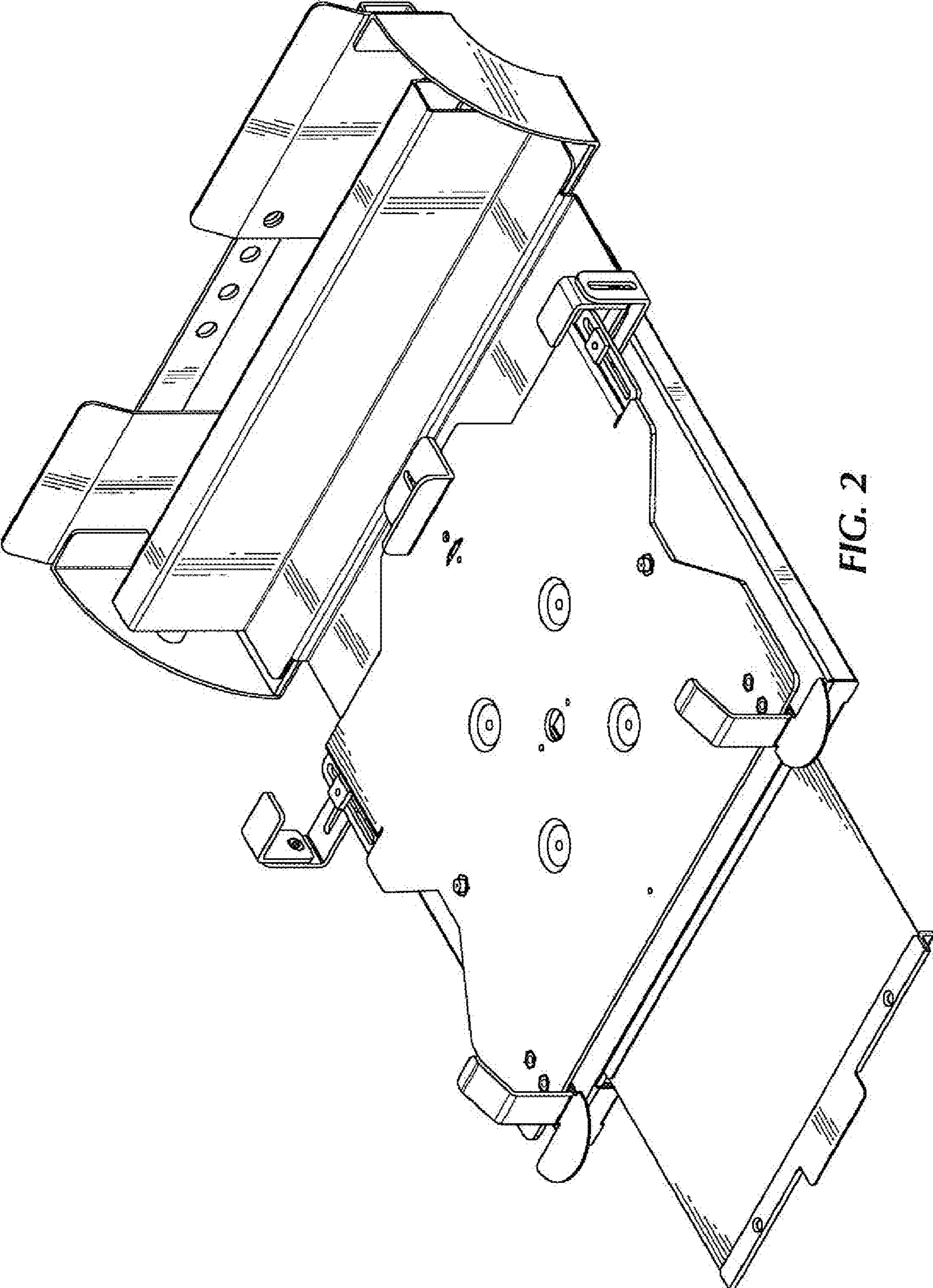


FIG. 2

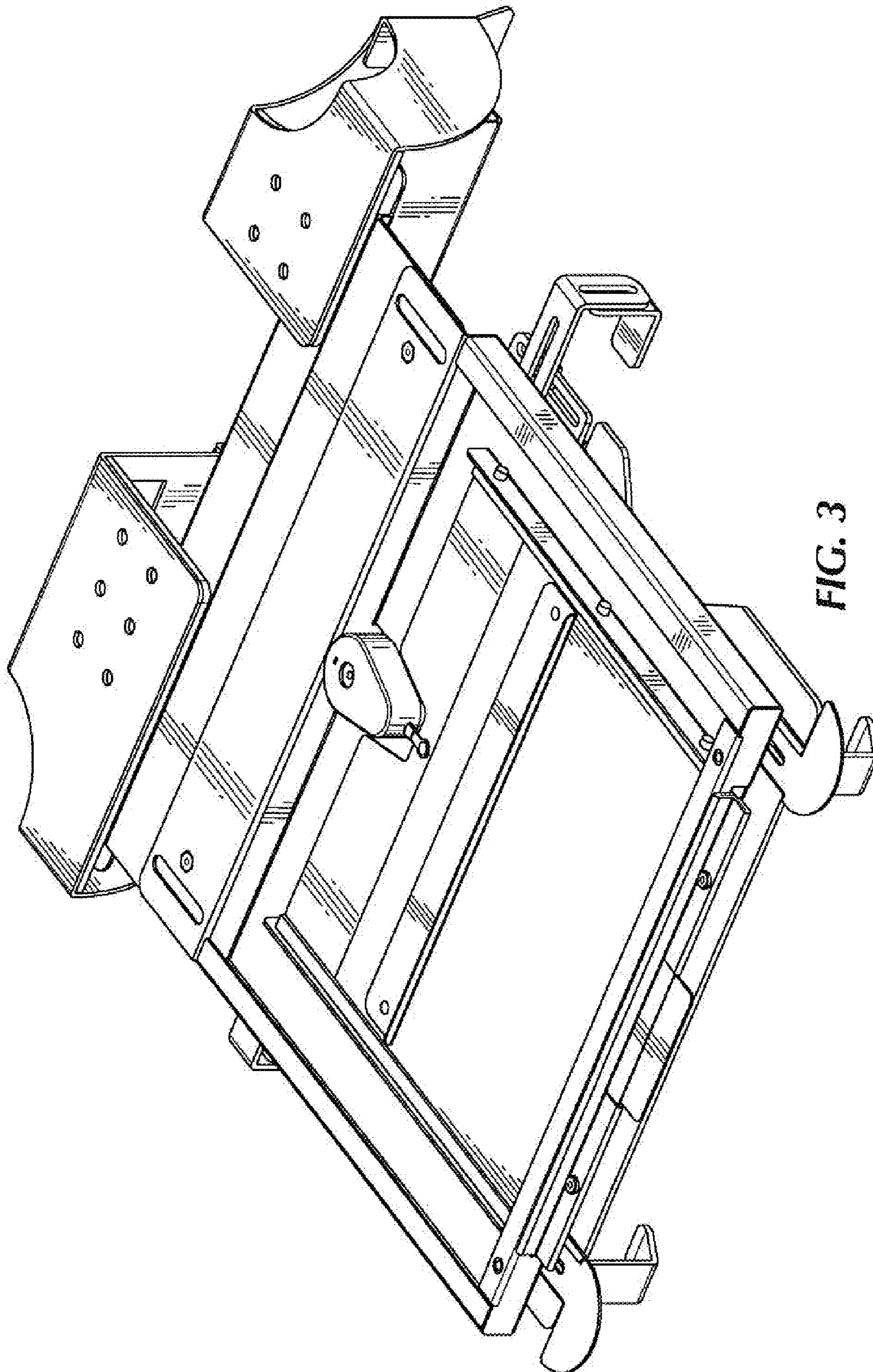


FIG. 3

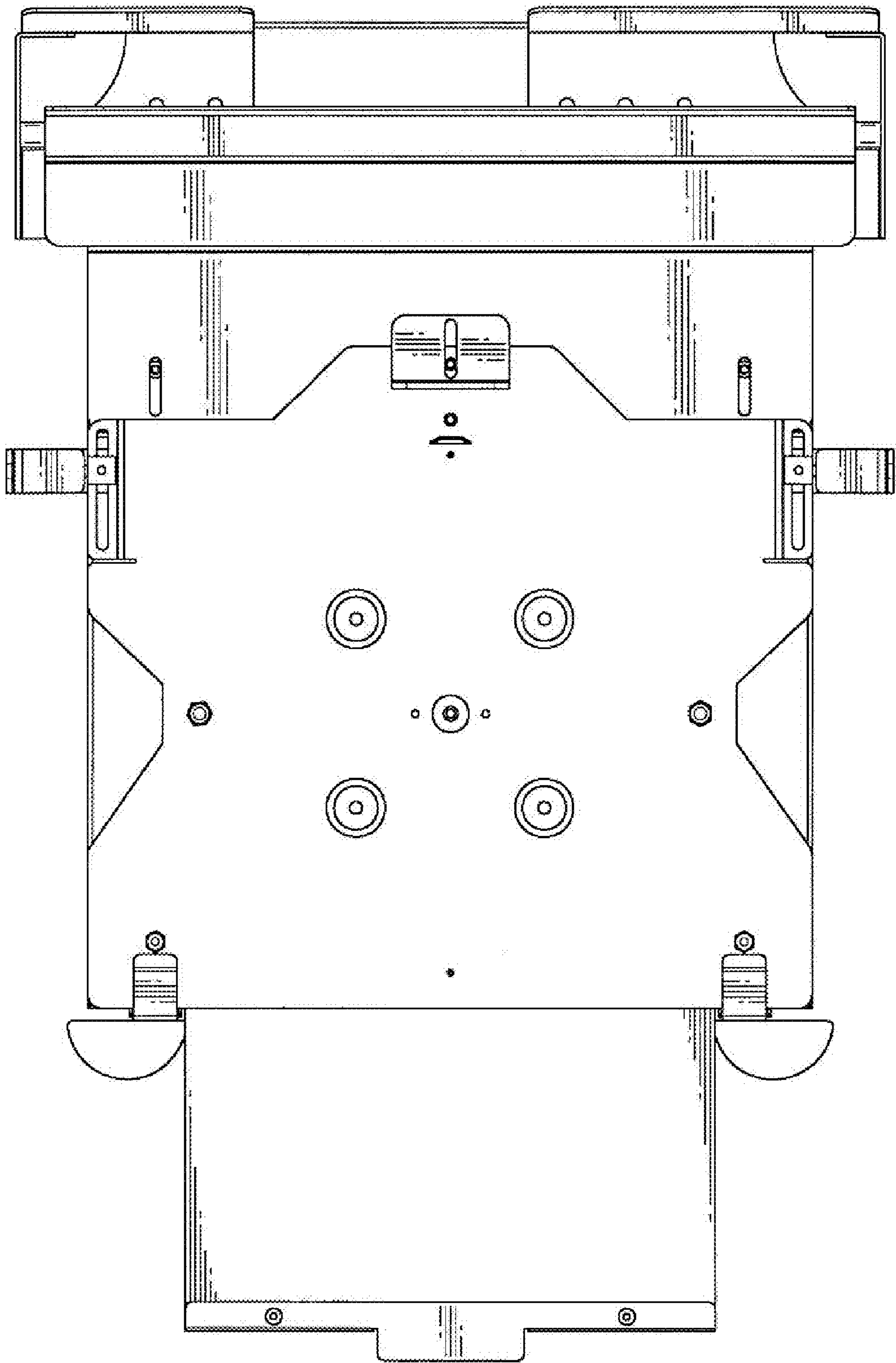


FIG. 4



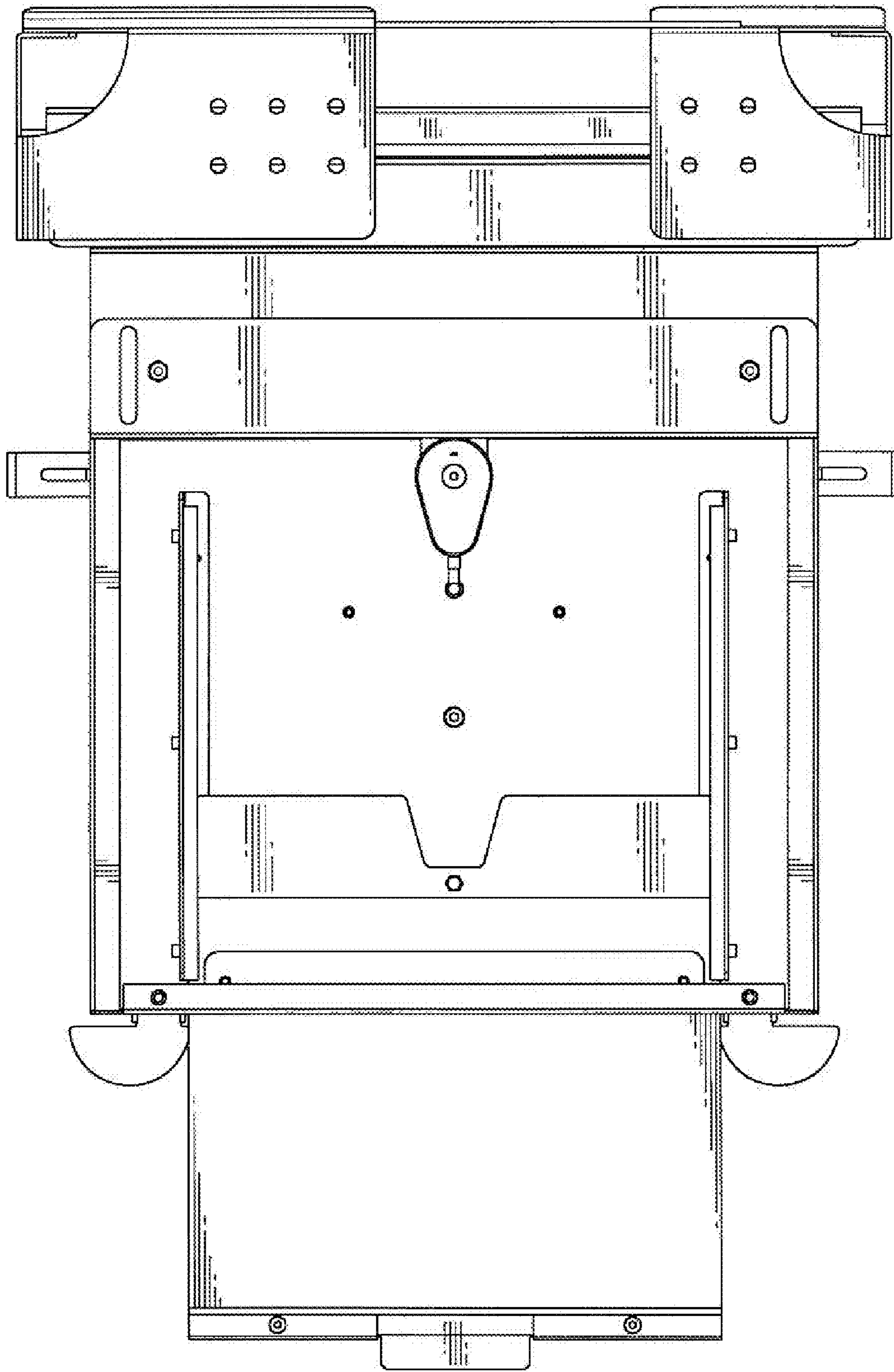
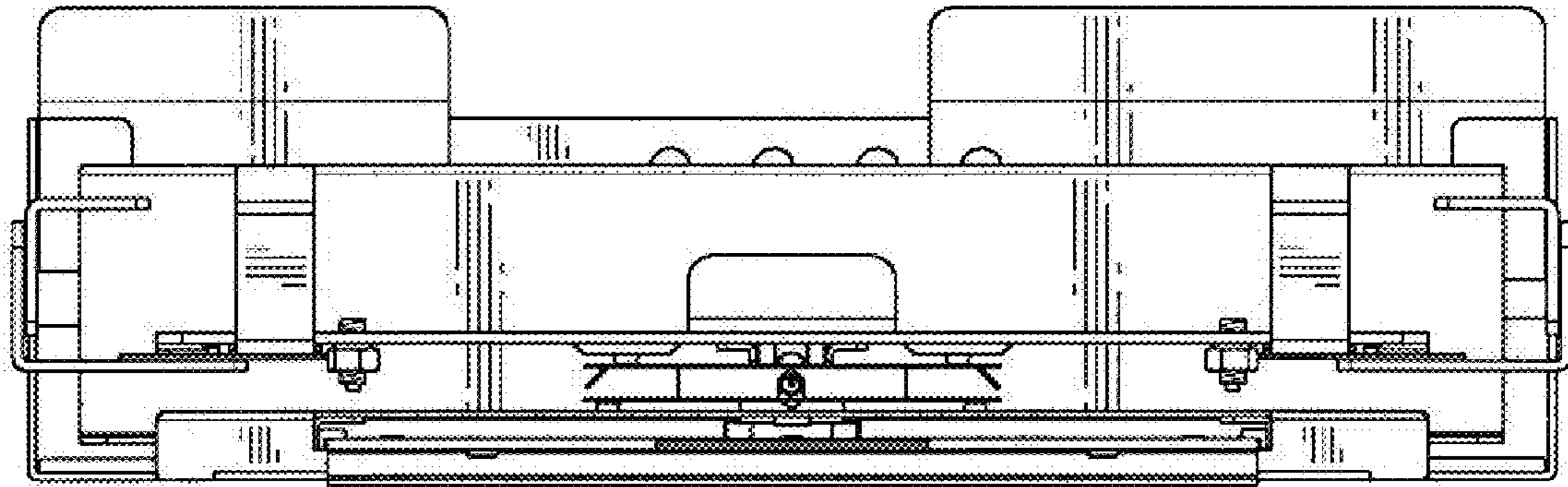
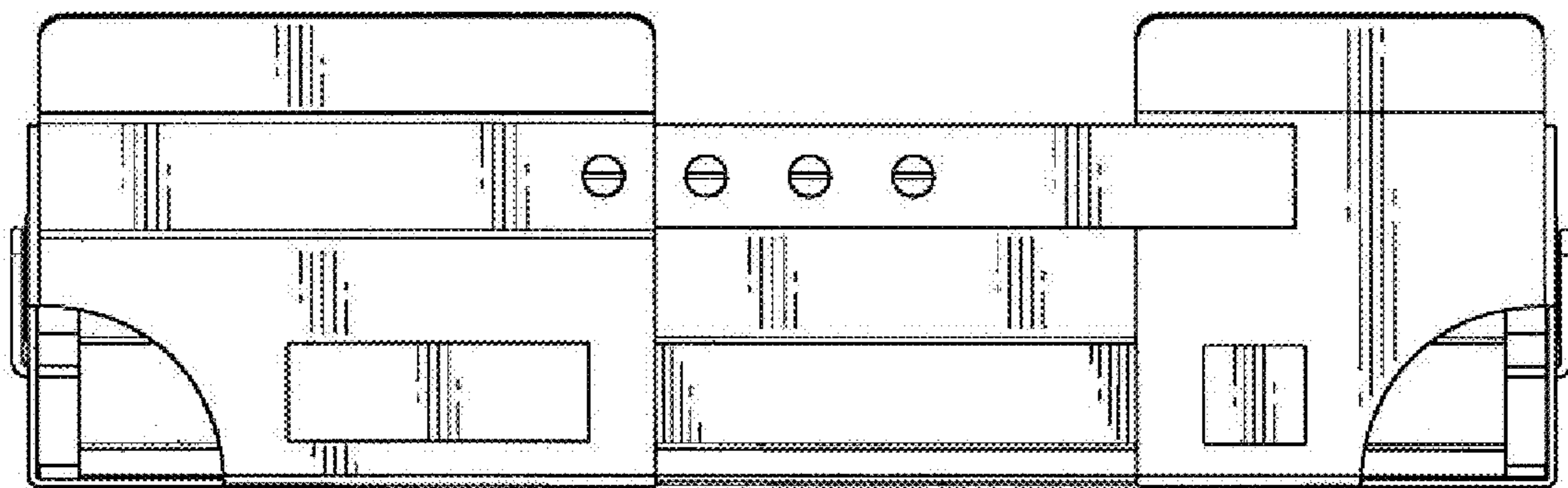


FIG. 5



**FIG. 6**



**FIG. 8**

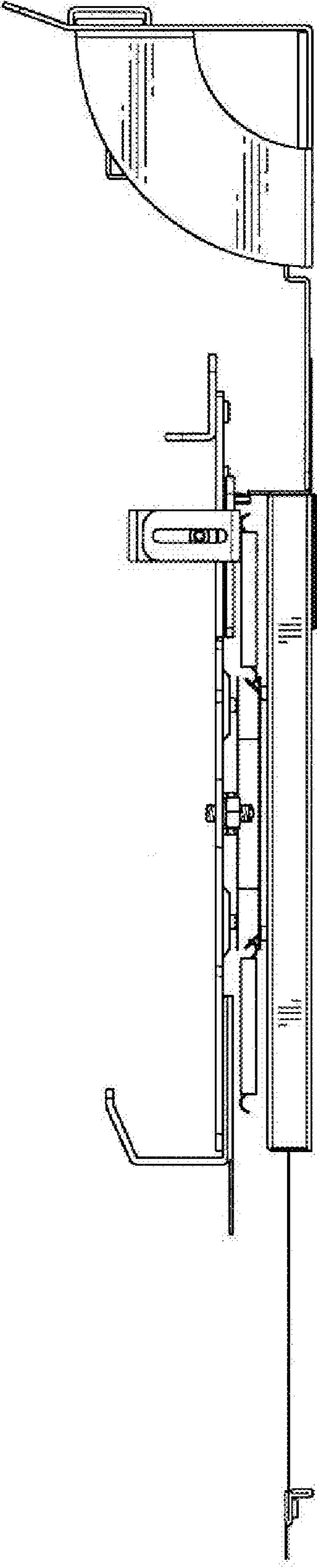


FIG. 7