



US00D604970S

(12) **United States Design Patent**  
**Troutman et al.**

(10) **Patent No.:** **US D604,970 S**  
(45) **Date of Patent:** **\*\* Dec. 1, 2009**

(54) **EXPOSED LEGS FOR A PLAY YARD**

(75) Inventors: **Damon Oliver Casati Troutman**, Lake Forest, IL (US); **Edward B. Bretschger**, Hinsdale, IL (US)

(73) Assignee: **Kolcraft Enterprises, Inc.**, Chicago, IL (US)

(\*\*) Term: **14 Years**

(21) Appl. No.: **29/244,885**

(22) Filed: **Dec. 15, 2005**

3,064,277 A	11/1962	Gill	
3,092,847 A	6/1963	Puy	
3,095,583 A	7/1963	Golub et al.	
3,103,670 A	9/1963	Landry	
3,158,876 A	12/1964	Gottlieb	
3,162,865 A *	12/1964	Tigrett .....	5/99.1
3,183,528 A	5/1965	Jacobs et al.	
3,187,352 A *	6/1965	Gottlieb .....	5/99.1
3,233,254 A	2/1966	Golub et al.	
3,546,721 A	12/1970	Cleary	
3,706,105 A	12/1972	Nicholson	
3,837,019 A	9/1974	Hoff	
4,008,497 A	2/1977	Badon	
D244,890 S	7/1977	Adams	

(Continued)

**Related U.S. Application Data**

(62) Division of application No. 29/216,591, filed on Nov. 5, 2004, now Pat. No. Des. 534,381.

(51) **LOC (9) Cl.** ..... **06-06**

(52) **U.S. Cl.** ..... **D6/503; D6/390; D6/495**

(58) **Field of Classification Search** ..... D6/390, D6/391, 331, 333, 508, 383, 384, 503; 5/93.1, 5/93.2, 99.1, 101, 97, 98.1, 655

See application file for complete search history.

(56) **References Cited**

**U.S. PATENT DOCUMENTS**

1,695,571 A	12/1928	Baxter
1,839,580 A	1/1932	Myron
1,975,332 A	10/1934	Rehkoff
2,287,907 A	6/1942	Schettler Jr.
D158,030 S	4/1950	Wagner
2,590,315 A	3/1952	Hawley, Jr.
2,617,999 A	11/1952	Mitchell
2,698,443 A	1/1955	Ralick
2,784,420 A	3/1957	Moltane
D181,893 S	1/1958	Bargen
2,873,458 A	2/1959	Adamson
3,018,493 A	1/1962	Wittbrodt
RE25,195 E	7/1962	Hamilton

*Primary Examiner*—Janice E Seeger

(74) *Attorney, Agent, or Firm*—Hanley, Flight & Zimmerman, LLC

(57) **CLAIM**

The ornamental design for exposed legs for a play yard, as shown and described.

**DESCRIPTION**

FIG. 1 is a perspective view of exposed legs for a play yard.

FIG. 2 is a front view of the design of FIG. 1.

FIG. 3 is a rear view of the design of FIG. 1.

FIG. 4 is a right side view of the design of FIG. 1.

FIG. 5 is a left side view of the design of FIG. 1.

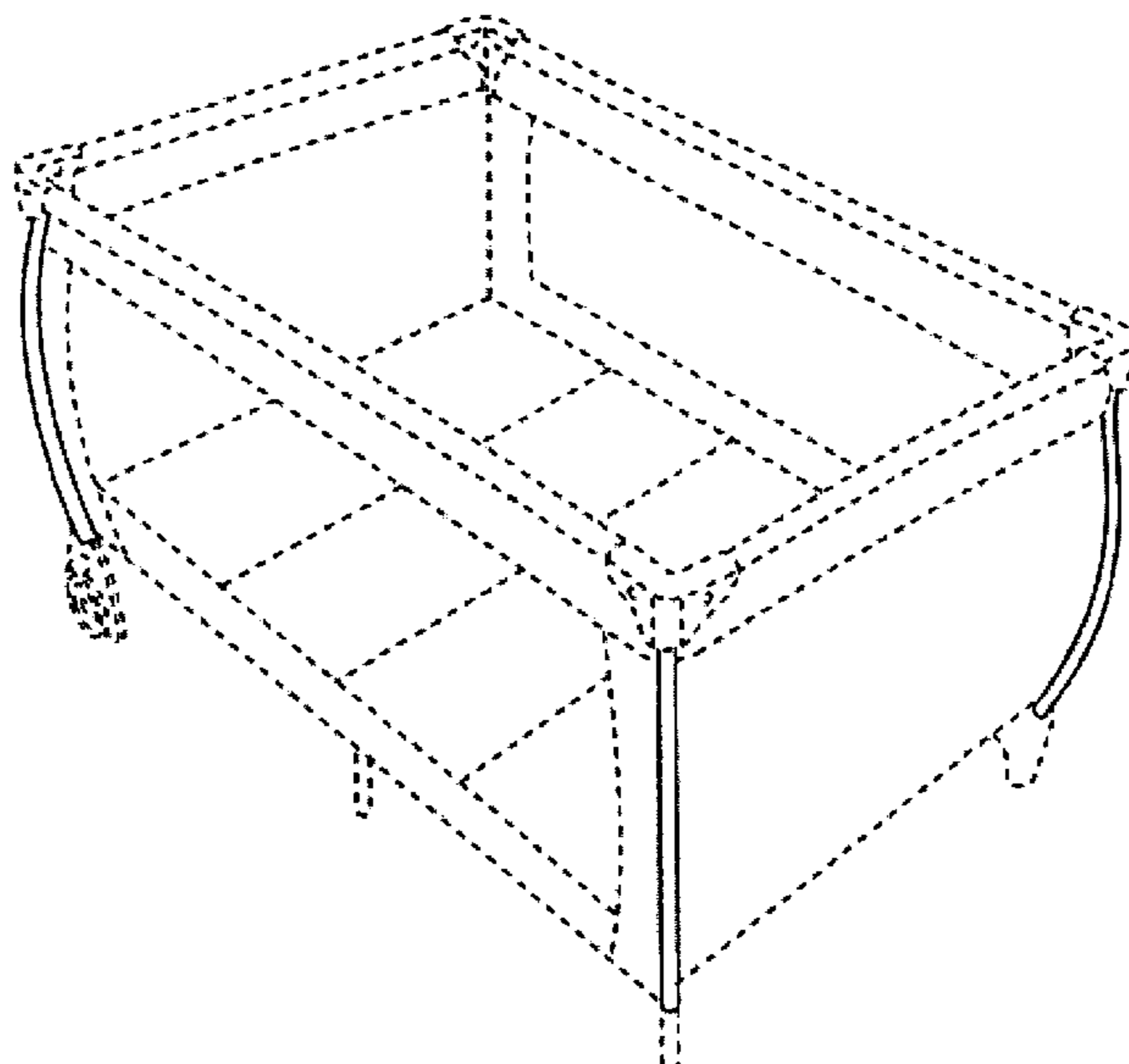
FIG. 6 is a top view of the design of FIG. 1; and,

FIG. 7 is a bottom view of the design of FIG. 1.

There is no fabric covering the exposed legs shown in any of FIGS. 1–7.

The features shown in broken lines are for illustrative purposes only and do not form part of the claimed design.

**1 Claim, 4 Drawing Sheets**



# US D604,970 S

Page 2

U.S. PATENT DOCUMENTS					
			5,991,944 A	11/1999	Yang
4,376,318 A	3/1983	Cirillo	6,173,462 B1	1/2001	Huang
4,561,138 A	12/1985	Hwang	6,192,535 B1	2/2001	Warner, Jr. et al.
4,900,011 A	2/1990	Nolet	6,233,759 B1	5/2001	Warner
5,197,154 A	3/1993	Shamie	6,256,814 B1	7/2001	Drobinski
5,211,498 A	5/1993	Huang	D448,218 S *	9/2001	Celestina-Krevh ..... D6/495
5,239,714 A	8/1993	Huang	6,332,231 B1	12/2001	Wang
D339,922 S	10/1993	Williams	6,385,800 B1	5/2002	Chen et al.
D340,598 S	10/1993	Castiglioni et al.	D461,645 S	8/2002	Hartenstine et al.
5,274,863 A	1/1994	Fountain	6,434,767 B1	8/2002	Welsh, Jr.
5,279,006 A	1/1994	Teng	6,543,070 B2	4/2003	Longenecker et al.
5,307,531 A	5/1994	Kao	6,615,424 B1	9/2003	Cheng
5,339,470 A	8/1994	Shamie	6,665,895 B1	12/2003	St. Pierre et al.
5,349,709 A	9/1994	Cheng	6,721,971 B1	4/2004	Cheng
5,367,725 A	11/1994	Tsai	D494,393 S	8/2004	Chen
5,381,570 A	1/1995	Cheng	D500,213 S	12/2004	DeHart et al.
5,504,951 A	4/1996	Yeh	6,859,957 B1 *	3/2005	Chen ..... 5/93.1
5,513,399 A	5/1996	Weng	6,895,611 B2	5/2005	Tharalson et al.
5,533,715 A	7/1996	Dandrea	6,948,197 B1	9/2005	Chen
5,553,336 A	9/1996	Mariol	6,954,949 B1 *	10/2005	Chen ..... 5/93.1
5,560,055 A	10/1996	Ziegler	6,959,462 B2	11/2005	Chen
D375,217 S	11/1996	Rehmert	7,003,821 B2	2/2006	DeHart et al.
5,581,827 A	12/1996	Fong et al.	7,020,914 B2	4/2006	Miyakawa
5,615,427 A	4/1997	Huang	7,043,779 B2	5/2006	Mendenhall et al.
D382,718 S	8/1997	Mariol	D534,381 S	1/2007	Troutman et al.
5,761,755 A	6/1998	Huang	D537,277 S	2/2007	Chen
5,778,465 A	7/1998	Myers	2003/0177575 A1	9/2003	Cheng et al.
D397,882 S	9/1998	Wu	2004/0261174 A1 *	12/2004	DeHart et al. .... 5/93.1
5,826,285 A	10/1998	Mariol et al.	2005/0144716 A1	7/2005	Chen
5,867,850 A	2/1999	Mariol	2005/0144717 A1	7/2005	Chen
5,867,851 A	2/1999	Mariol et al.	2005/0144718 A1	7/2005	Miyakawa
D409,411 S	5/1999	Mariol et al.	2005/0229308 A1 *	10/2005	Chen ..... 5/93.1
D411,386 S	6/1999	Horn	2006/0037137 A1	2/2006	Song
D413,025 S	8/1999	Mariol et al.	2006/0225207 A1	10/2006	Johnson

\* cited by examiner

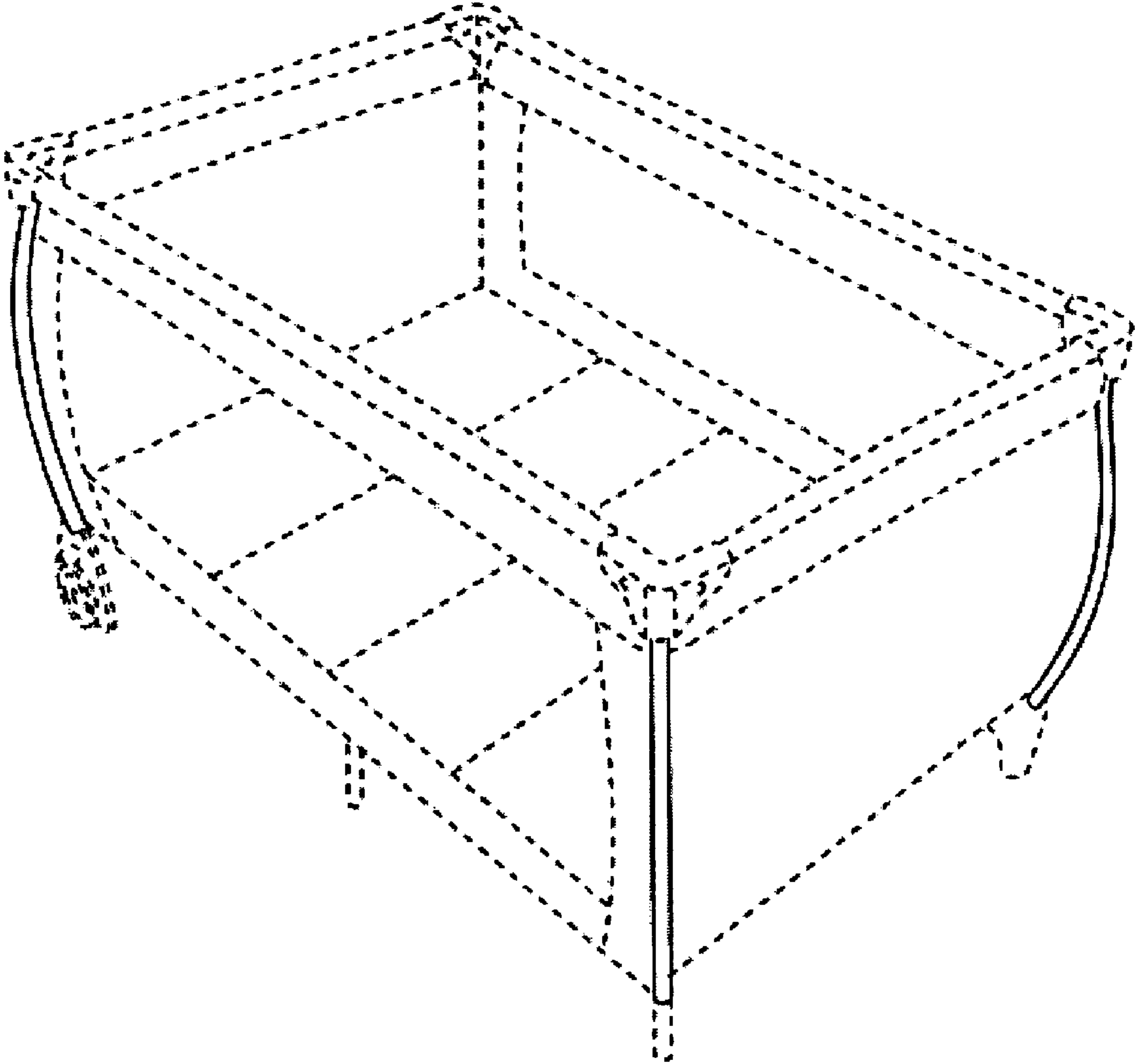


FIG. 1

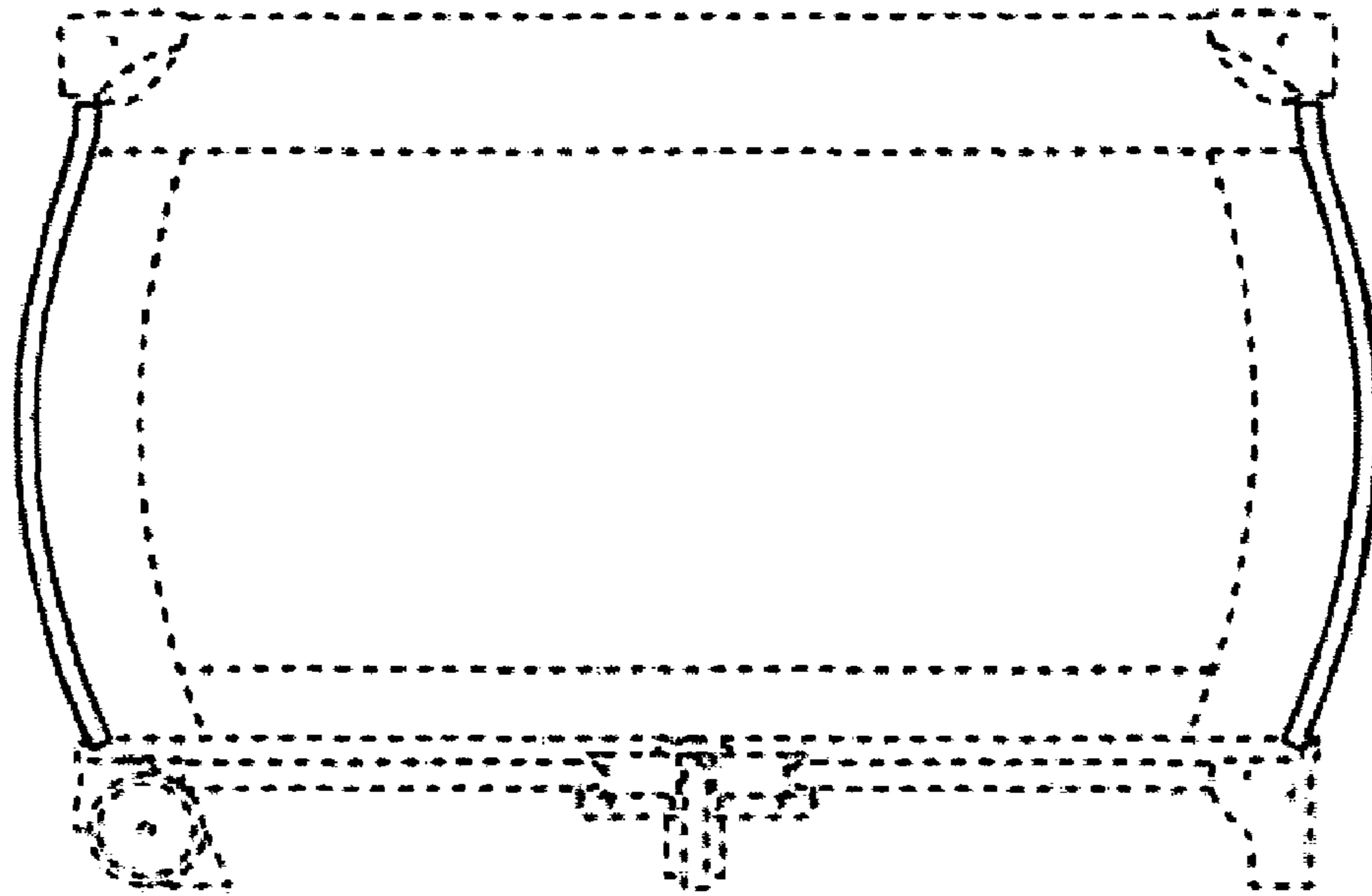


FIG. 2

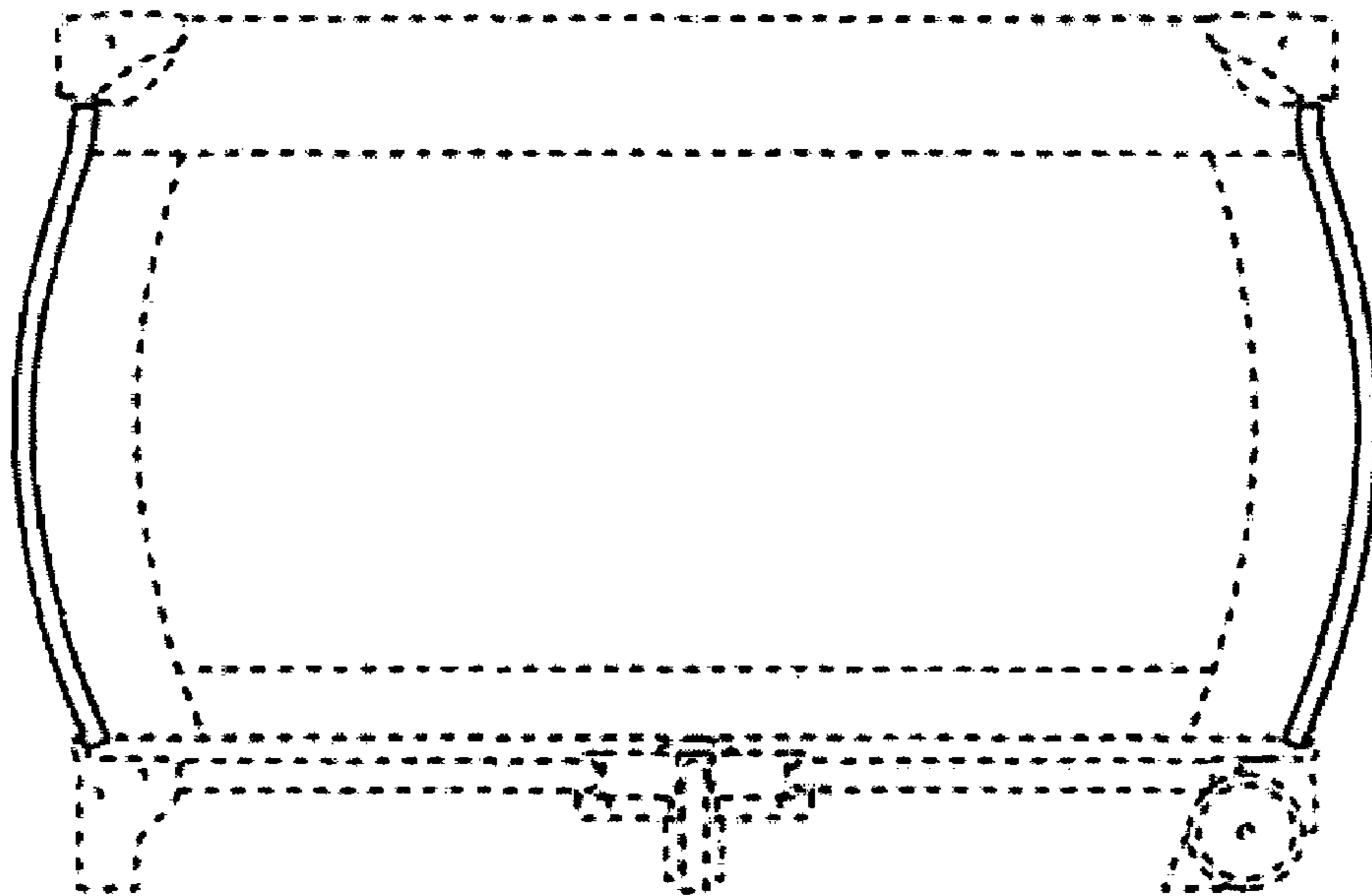


FIG. 3

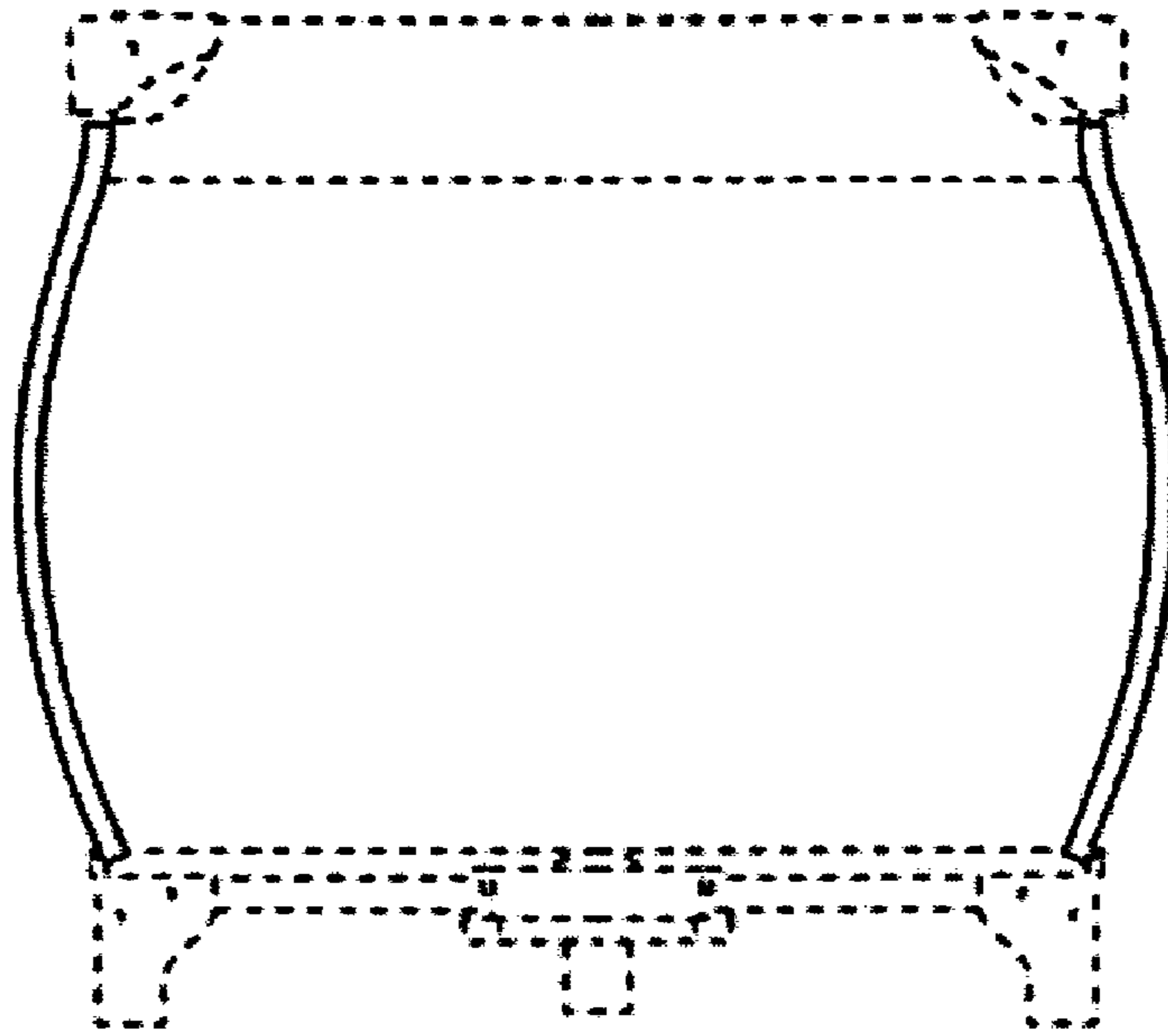


FIG. 4

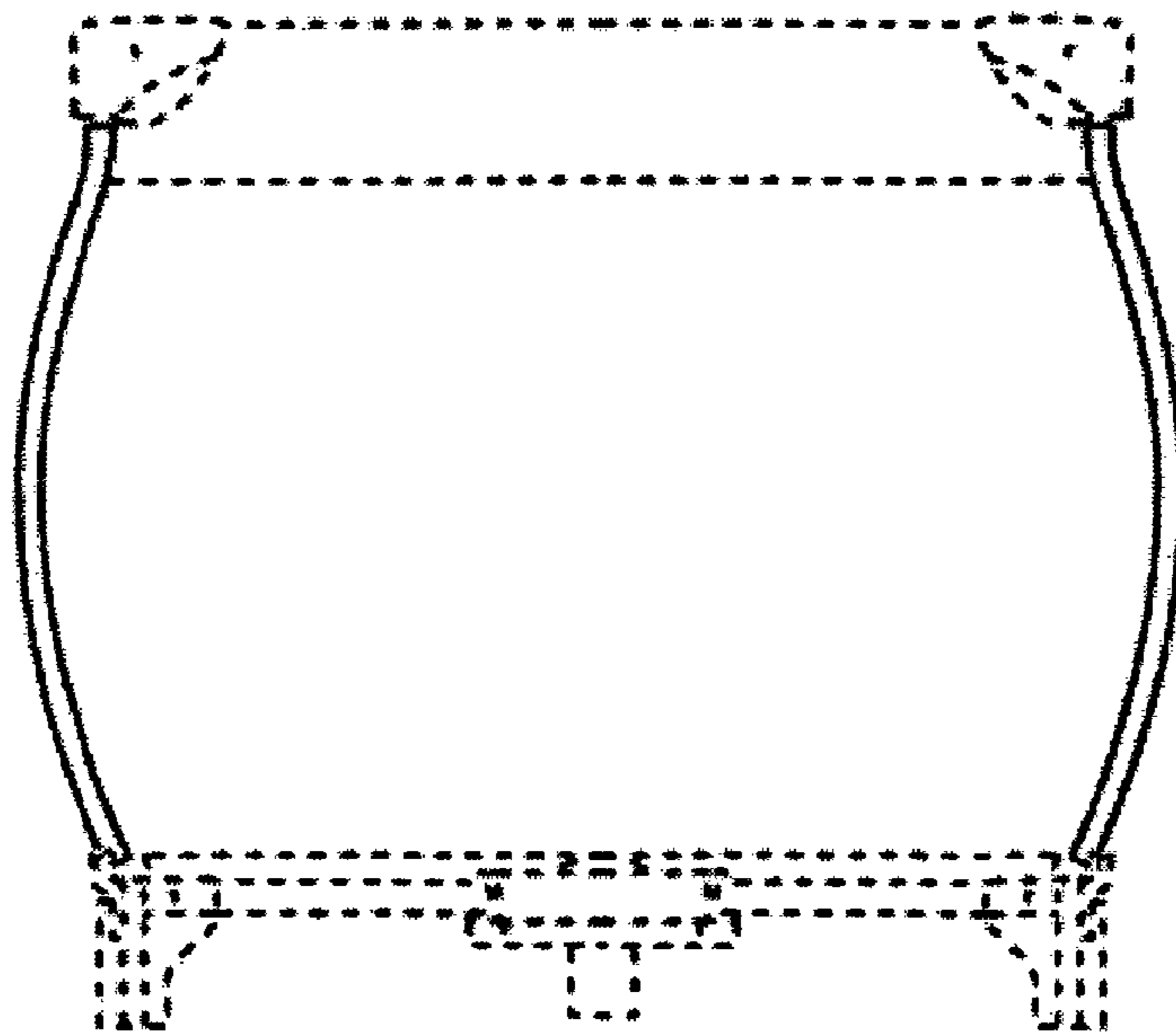


FIG. 5

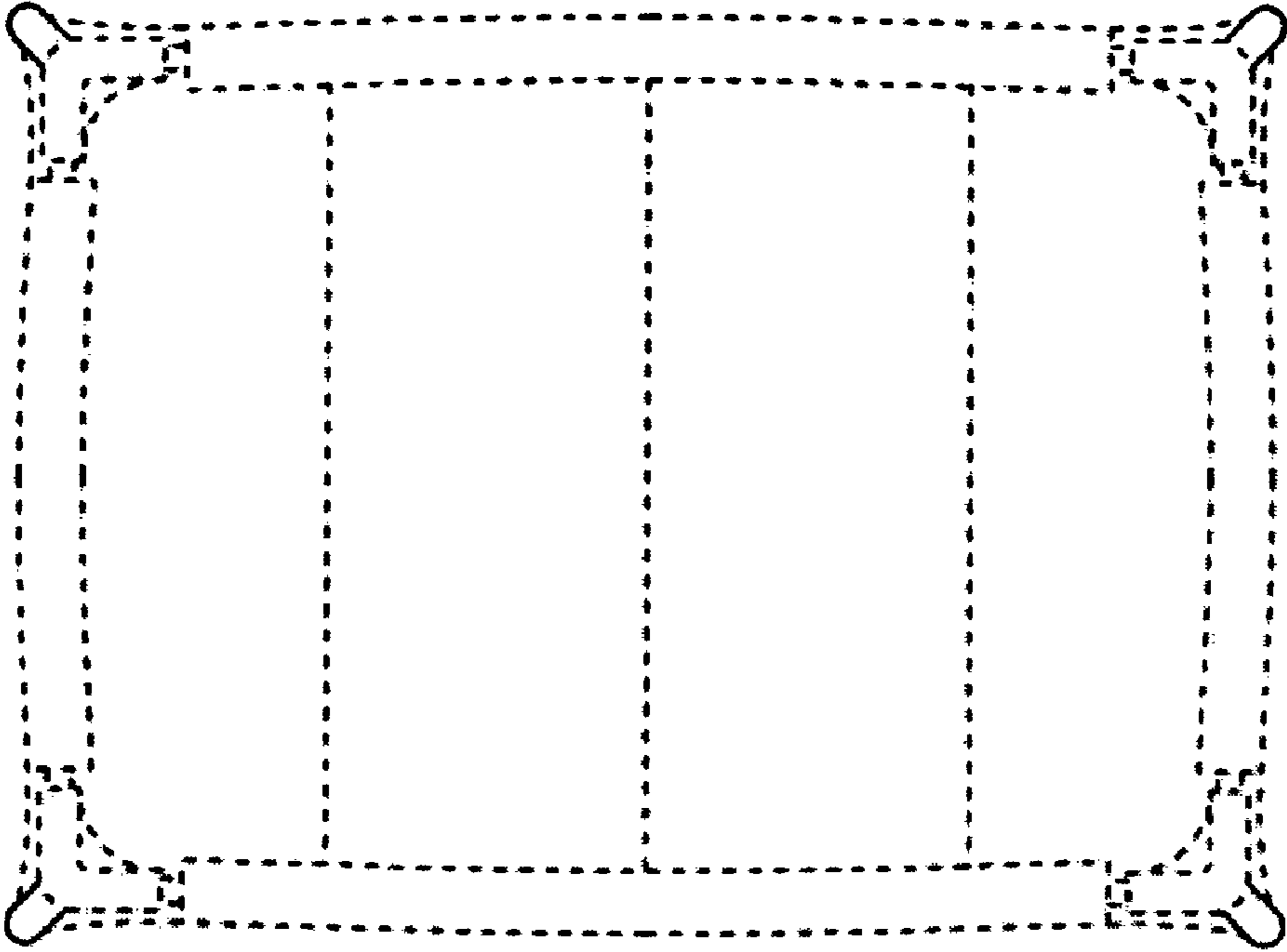


FIG. 6

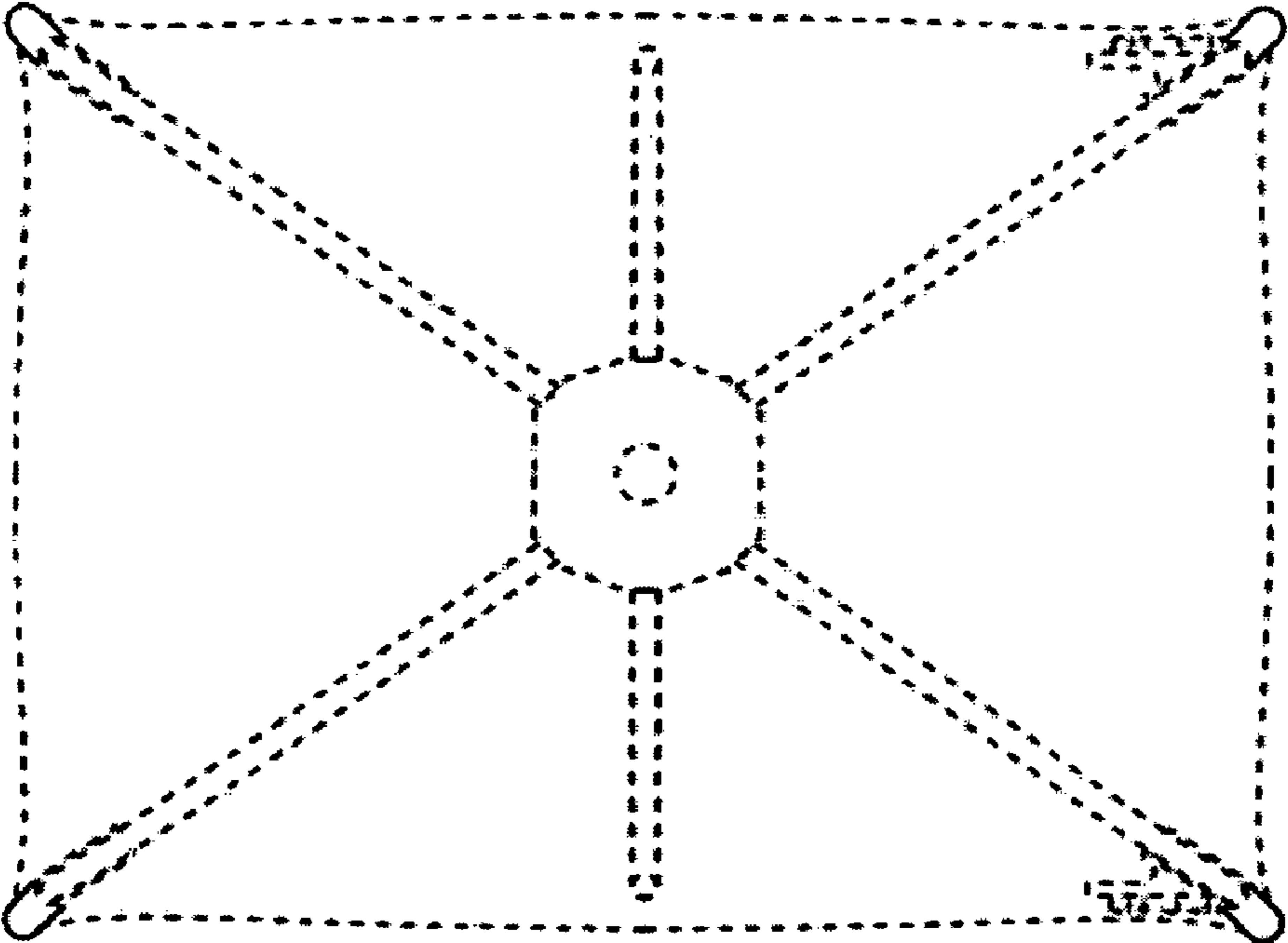


FIG. 7

(12) **INTER PARTES REVIEW CERTIFICATE** (1648th)

**United States Patent**  
**Troutman et al.**

(10) **Number:** **US D604,970 K1**  
(45) **Certificate Issued:** **Feb. 10, 2020**

---

(54) **EXPOSED LEGS FOR A PLAY YARD**

(75) **Inventors: Damon Oliver Casati Troutman;**  
**Edward B. Bretschger**

(73) **Assignee: KOLCRAFT ENTERPRISES, INC.**

**Trial Number:**

IPR2016-00816 filed Mar. 30, 2016

**Inter Partes Review Certificate for:**

Patent No.: **D604,970**  
Issued: **Dec. 1, 2009**  
Appl. No.: **29/244,885**  
Filed: **Dec. 15, 2005**

The results of IPR2016-00816 are reflected in this inter partes review certificate under 35 U.S.C. 318(b).

**INTER PARTES REVIEW CERTIFICATE**  
**U.S. Patent D604,970 K1**  
**Trial No. IPR2016-00816**  
**Certificate Issued Feb. 10, 2020**

**1**

**2**

AS A RESULT OF THE INTER PARTES  
REVIEW PROCEEDING, IT HAS BEEN  
DETERMINED THAT:

The claim is cancelled.

5

\* \* \* \* \*