



US00D604966S

(12) **United States Design Patent**
Hamilton et al.

(10) **Patent No.:** **US D604,966 S**
(45) **Date of Patent:** **** Dec. 1, 2009**

(54) **WORKSURFACE ASSEMBLY**

(75) Inventors: **John R. Hamilton**, Emeryville, CA (US); **Andre K. Dettler**, Brooklyn, NY (US); **Helen A. Buckley**, Grand Rapids, MI (US)

(73) Assignee: **Steelcase Inc.**, Grand Rapids, MI (US)

(**) Term: **14 Years**

(21) Appl. No.: **29/318,641**

(22) Filed: **May 23, 2008**

(51) **LOC (9) Cl.** **06-03**

(52) **U.S. Cl.** **D6/487**

(58) **Field of Classification Search** D6/480-489,
D6/495-499, 429-430, 477, 479, 349, 436;
108/153.1, 155, 156, 161, 50.01, 50.02; 248/188,
248/188.1, 188.8

See application file for complete search history.

(56) **References Cited**

U.S. PATENT DOCUMENTS

D234,662 S * 4/1975 Stiene D6/483
3,883,202 A 5/1975 Konig

(Continued)

OTHER PUBLICATIONS

Ahrend product presentation (9 pages). Published at least as early as May 22, 2007.

(Continued)

Primary Examiner—Janice E Seeger

(74) *Attorney, Agent, or Firm*—Price, Heneveld, Cooper, DeWitt & Litton, LLP

(57) **CLAIM**

The ornamental design for a worksurface assembly, as shown and described.

DESCRIPTION

FIG. 1 is an isometric view of a worksurface assembly, showing our new design;

FIG. 2 is a front elevational view;

FIG. 3 is a rear elevational view;

FIG. 4 is a top plan view;

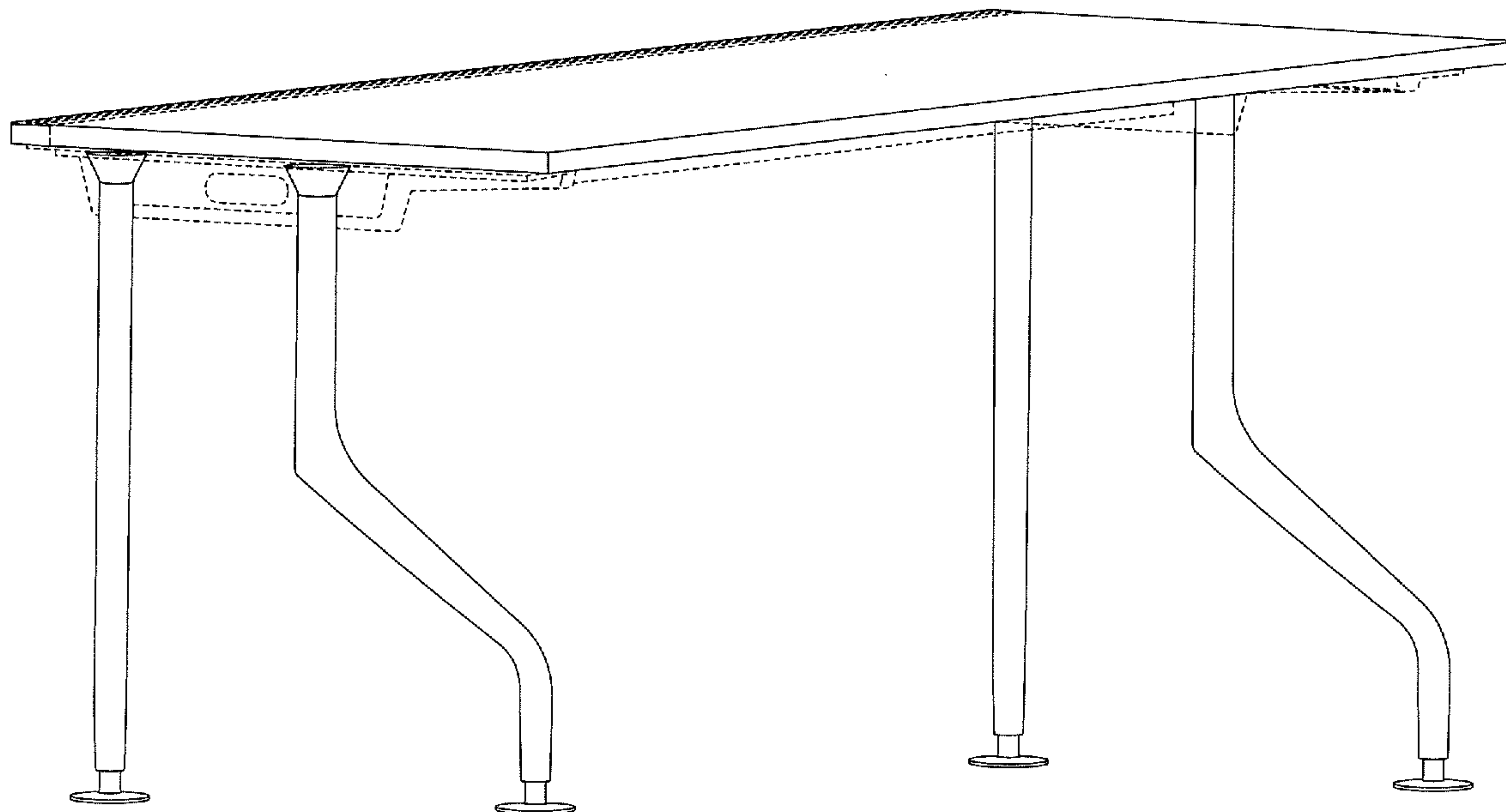
FIG. 5 is a bottom plan view;

FIG. 6 is a left-hand side elevational view; and,

FIG. 7 is a right-hand side elevational view.

The dashed lines in the figures show the environment of the present design and are not part of the present design.

1 Claim, 7 Drawing Sheets



US D604,966 S

Page 2

U.S. PATENT DOCUMENTS

4,372,629	A	2/1983	Propst et al.	6,327,983	B1	12/2001	Cronk et al.
4,637,666	A	1/1987	Worrell et al.	6,336,414	B1	1/2002	Stewart et al.
4,711,184	A	12/1987	Wallin et al.	6,397,762	B1	6/2002	Goldberg et al.
4,884,513	A	12/1989	Newhouse et al.	6,415,723	B1	7/2002	Kopish et al.
5,083,512	A	1/1992	Newhouse et al.	6,435,106	B2	8/2002	Funk et al.
5,103,741	A	4/1992	Grund et al.	6,546,880	B2	4/2003	Agee
5,154,126	A	10/1992	Newhouse et al.	6,647,900	B1	11/2003	Kopish
D336,394	S *	6/1993	Ball D6/487	6,675,722	B2	1/2004	Stathis et al.
5,237,935	A	8/1993	Newhouse et al.	6,725,784	B2	4/2004	Crinion
5,337,657	A	8/1994	Diffrient	6,769,747	B2	8/2004	Chan et al.
5,666,888	A	9/1997	Dame et al.	6,854,402	B2	2/2005	DuBarry et al.
5,697,686	A	12/1997	Miller et al.	6,857,712	B1	2/2005	Haberman
5,878,673	A	3/1999	Kramer et al.	7,066,098	B2 *	6/2006	Blasen et al. 108/115
5,901,513	A	5/1999	Mollenkopf et al.	2005/0263041	A1	12/2005	Mueller et al.
5,934,201	A	8/1999	Diffrient	2005/0268823	A1	12/2005	Bakker et al.
6,003,447	A	12/1999	Cox et al.	2005/0279257	A1	12/2005	Bettinger
6,029,587	A	2/2000	Rozier, Jr. et al.	2006/0042520	A1	3/2006	Stevens et al.
6,076,473	A	6/2000	Conte	2006/0065162	A1	3/2006	Chi et al.
6,135,032	A	10/2000	Ko	2006/0096506	A1	5/2006	Brauning et al.
6,176,561	B1	1/2001	Roels et al.	2006/0162626	A1	7/2006	Brauning et al.
6,202,567	B1	3/2001	Funk et al.	2008/0035031	A1	2/2008	Yamanishi et al.
6,209,465	B1	4/2001	Brooks	2008/0035034	A1	2/2008	Morita et al.
6,254,206	B1	7/2001	Petrack et al.				
D448,212	S *	9/2001	Petersen D6/480				
D450,949	S *	11/2001	Grabowski et al. D6/480				
D450,953	S *	11/2001	Grabowski et al. D6/499				

OTHER PUBLICATIONS

Sedus product presentation (28 pages). Published at least as early as May 22, 2007.

* cited by examiner

FIG. 1

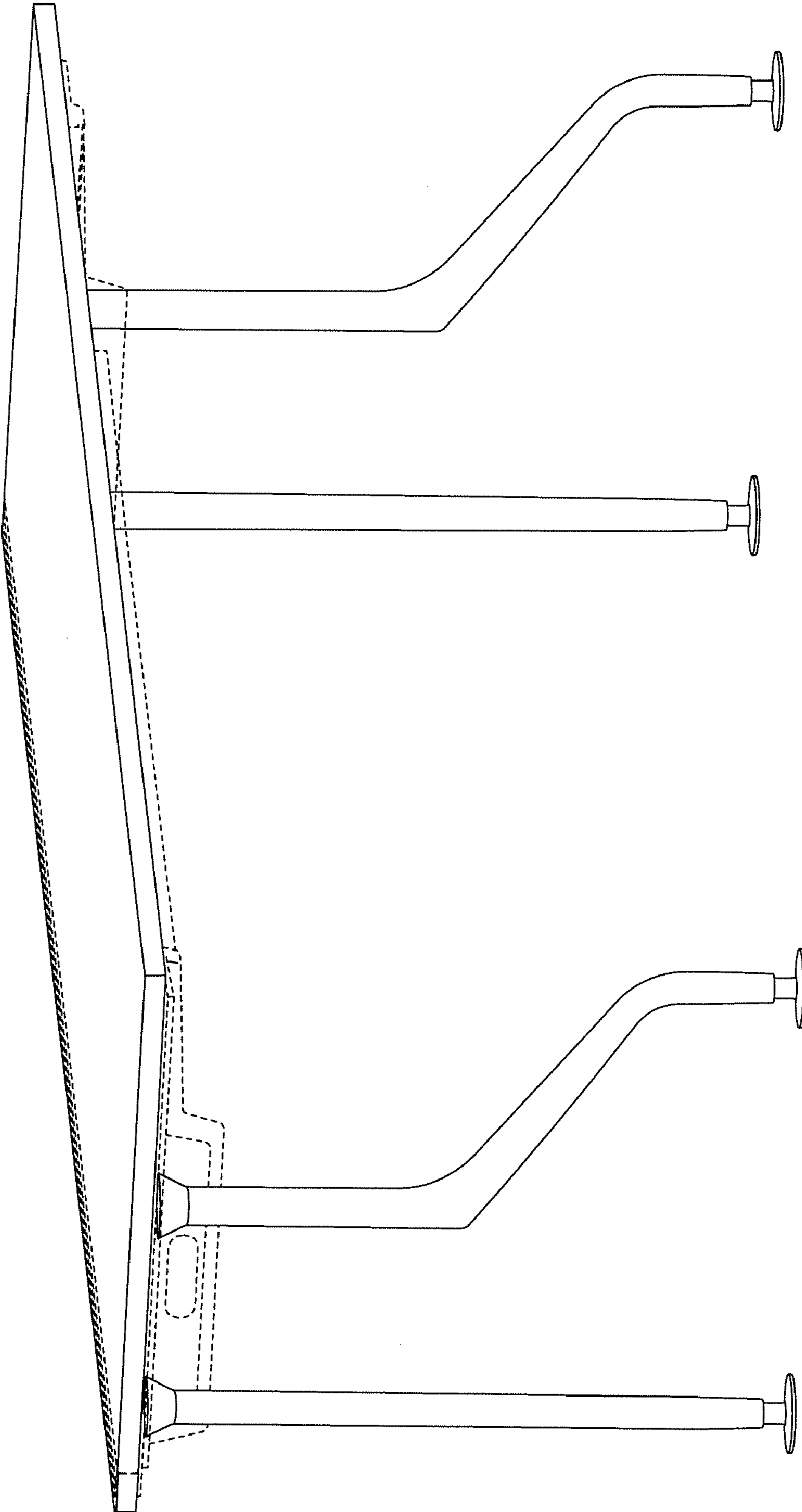


FIG. 2

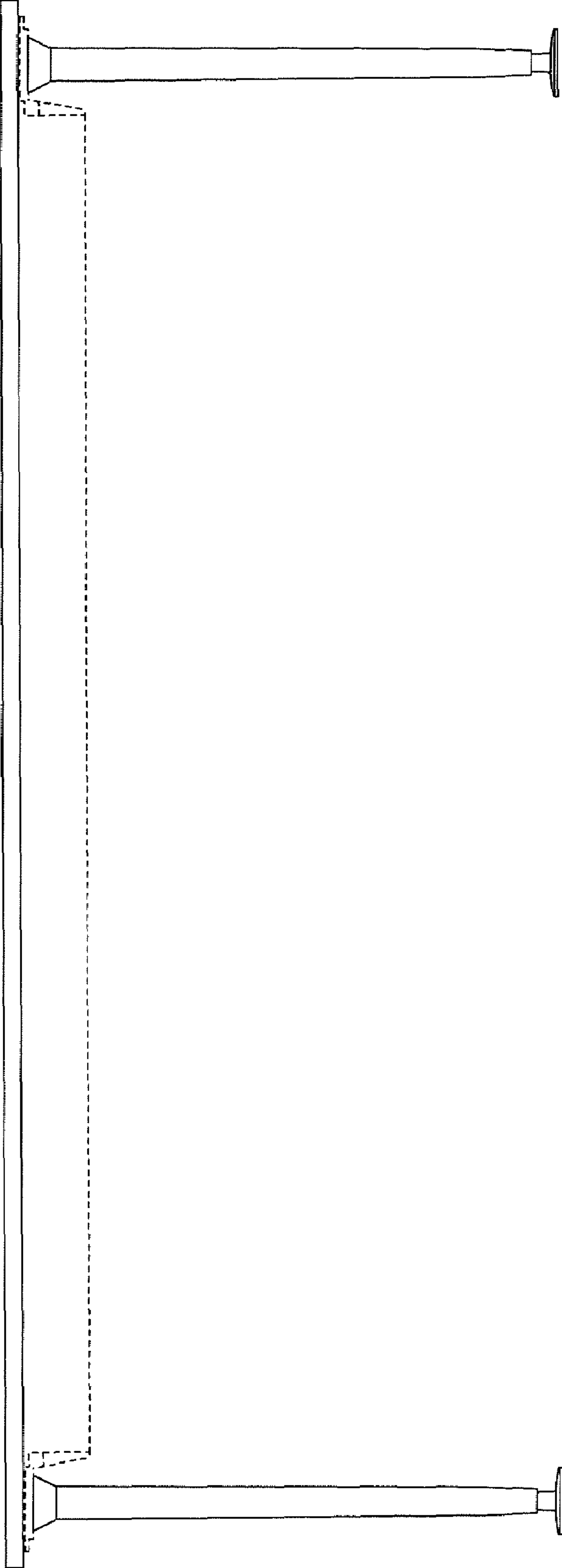
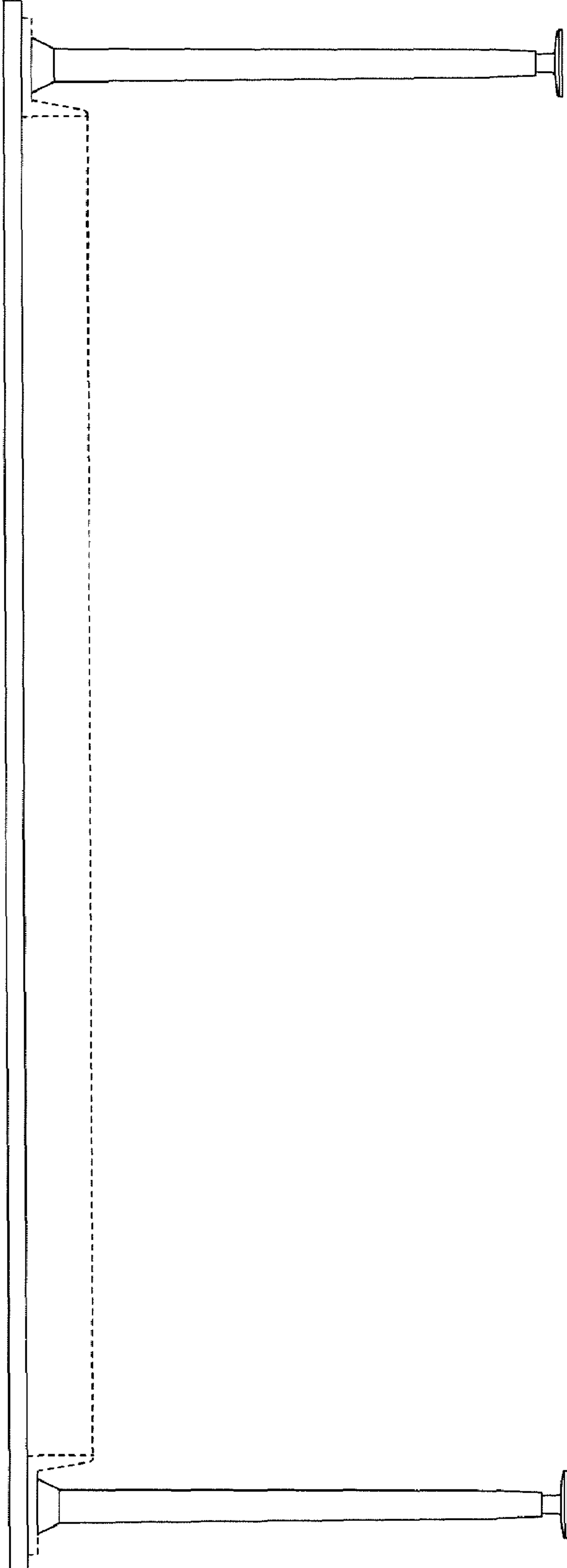


FIG. 3



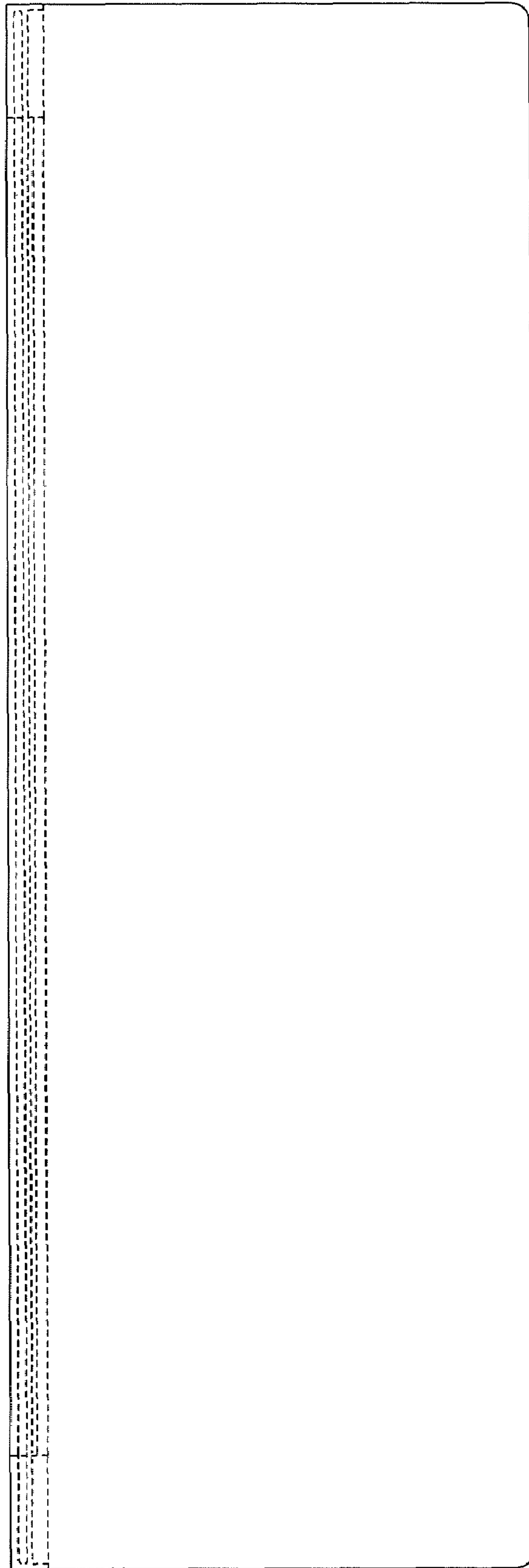
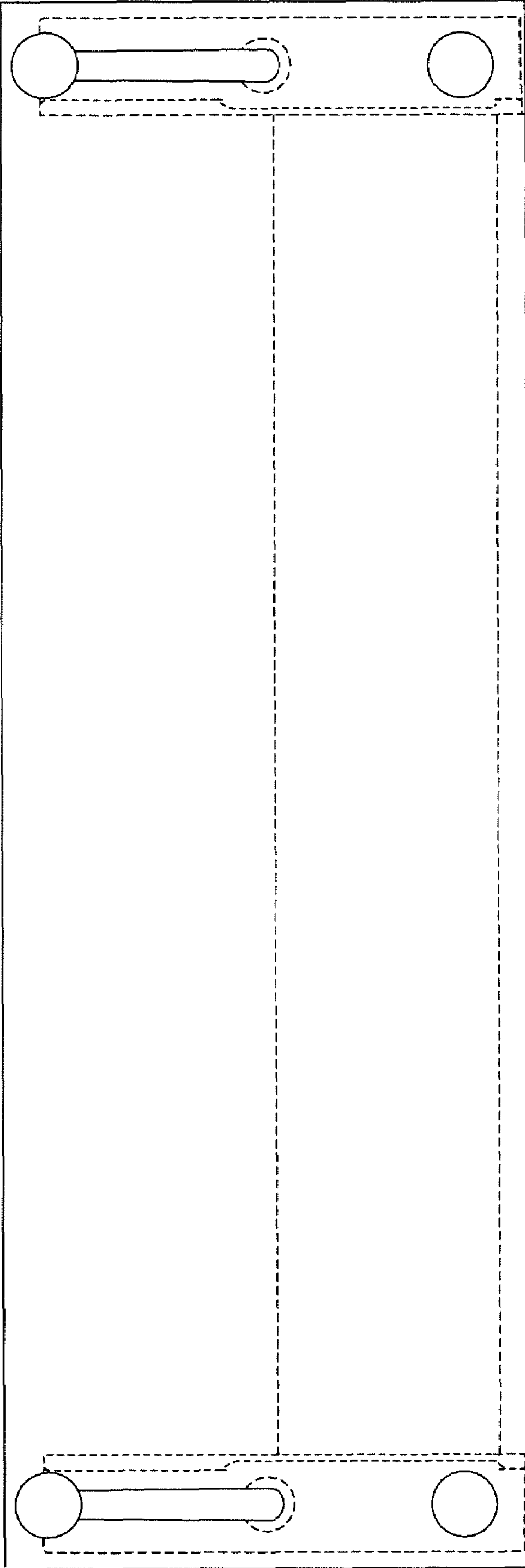
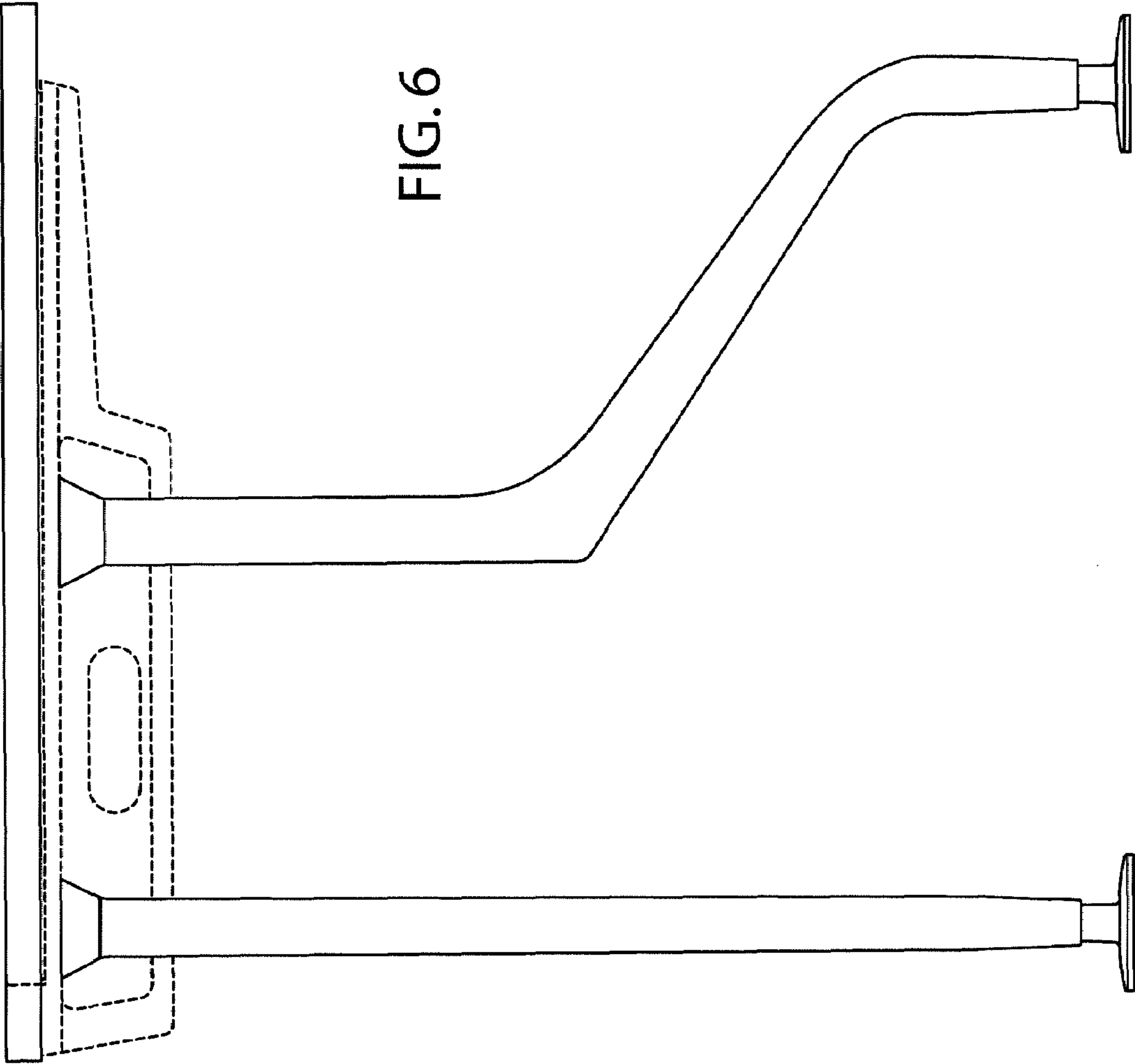


FIG. 4

FIG. 5





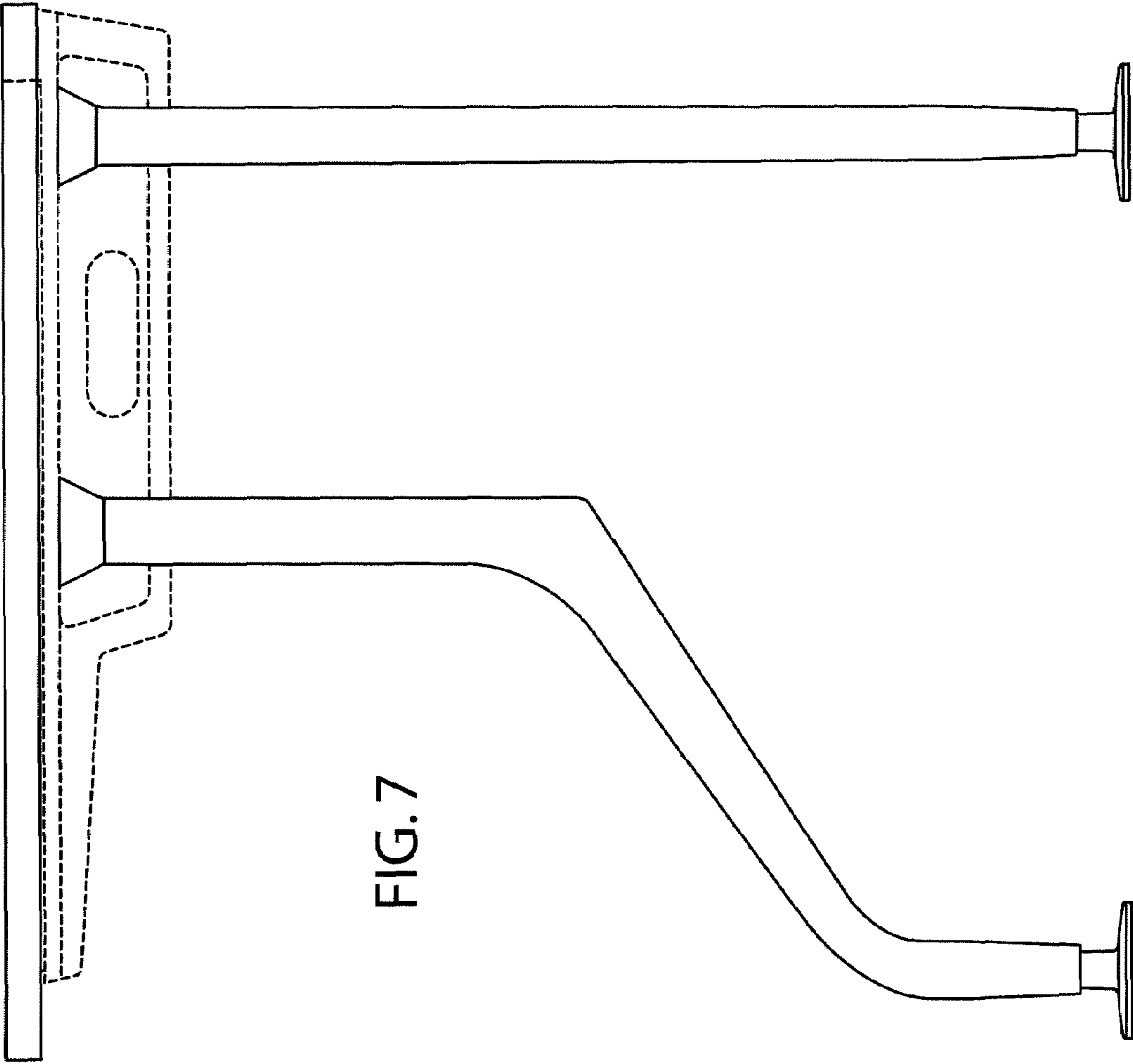


FIG. 7