



US00D604965S

(12) **United States Design Patent**
Gilad et al.

(10) **Patent No.:** **US D604,965 S**

(45) **Date of Patent:** **** Dec. 1, 2009**

(54) **FOLDABLE TABLE**

(75) Inventors: **Lidor Gilad**, Mendrisio (CH); **Yotam Shabtai**, Milan (IT)

(73) Assignee: **Grippio Sintesi S.R.L.**, Spilimbergo (IT)

(**) Term: **14 Years**

(21) Appl. No.: **29/309,781**

(22) Filed: **Oct. 10, 2008**

(51) **LOC (9) Cl.** **06-03**

(52) **U.S. Cl.** **D6/484; D6/430**

(58) **Field of Classification Search** D6/480-489,
D6/495-499, 450, 429-431, 511; 108/153.1,
108/155, 156, 161, 65, 66, 69, 70, 63, 78;
248/188, 188.1, 188.8

See application file for complete search history.

(56) **References Cited**

U.S. PATENT DOCUMENTS

636,268 A *	11/1899	Long	108/66
D208,788 S *	10/1967	Jakobsen	D21/561
D448,216 S *	9/2001	Kolberg	D6/484
D486,329 S *	2/2004	Strong et al.	D6/487
D519,746 S *	5/2006	Ng et al.	D6/397

* cited by examiner

Primary Examiner—Janice E Seeger

(74) *Attorney, Agent, or Firm*—Modiano & Associati; Daniel J. O’Byrne

(57) **CLAIM**

The ornamental design for a foldable table, as shown and described.

DESCRIPTION

FIG. 1 is a perspective view of a foldable table in the closed configuration, showing our new design;

FIG. 2 is a front view thereof;

FIG. 3 is a rear view thereof;

FIG. 4 is a left side view thereof;

FIG. 5 is a right side view thereof;

FIG. 6 is a top view thereof;

FIG. 7 is a bottom view thereof;

FIG. 8 is a perspective view of the foldable table in the open configuration;

FIG. 9 is a front view thereof;

FIG. 10 is a rear view thereof;

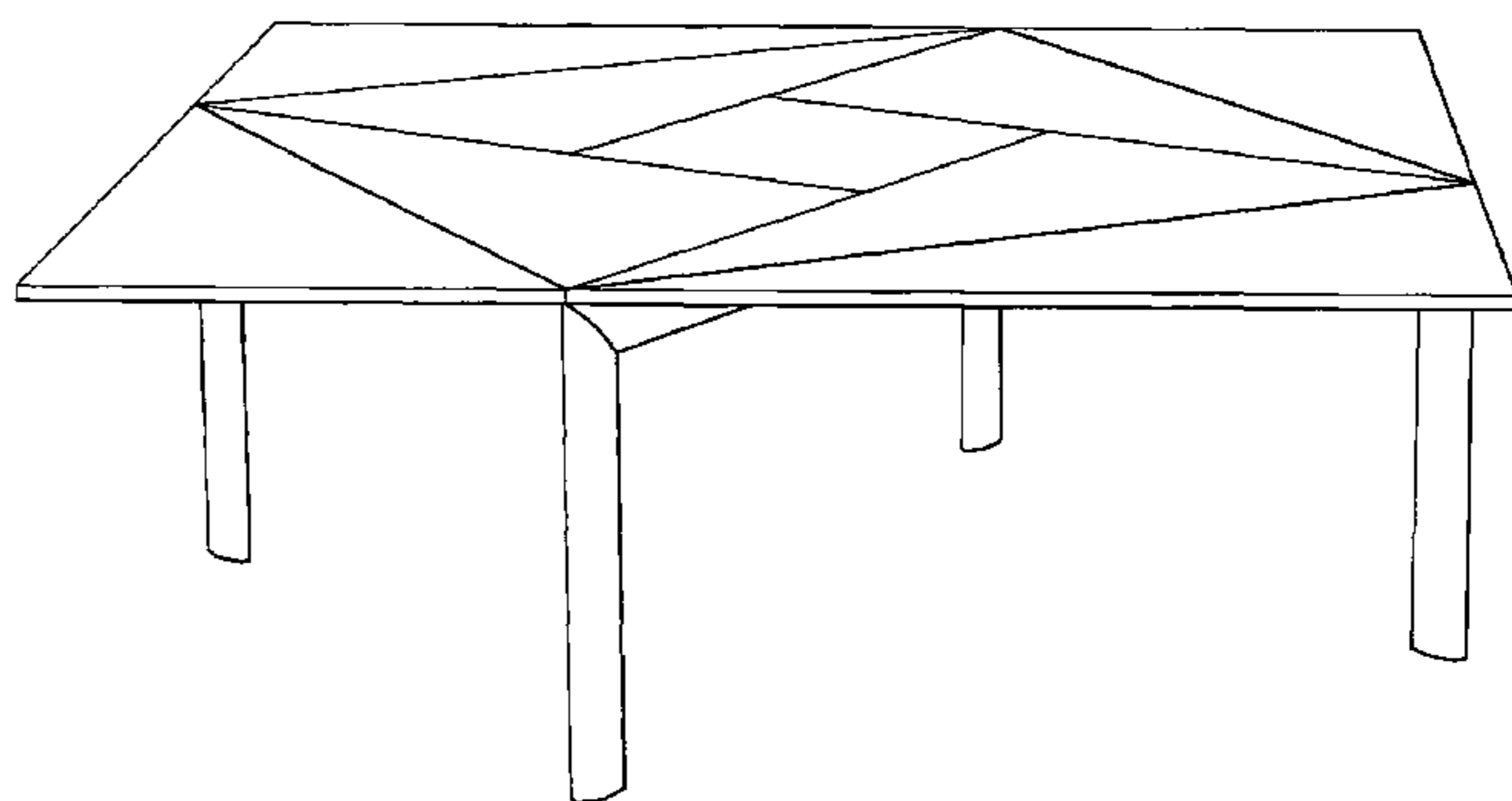
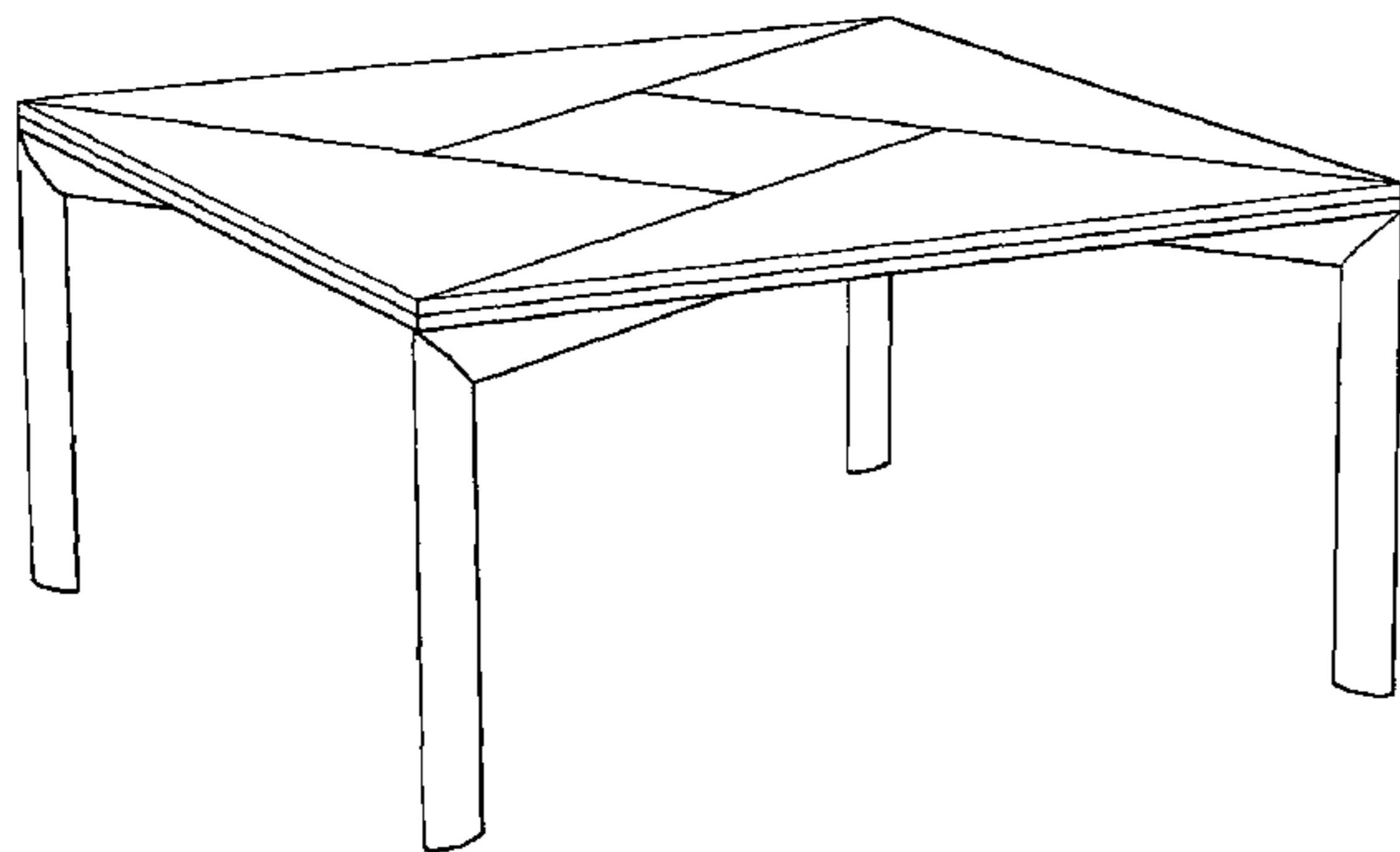
FIG. 11 is a left side view thereof;

FIG. 12 is a right side view thereof;

FIG. 13 is a top view thereof; and,

FIG. 14 is a bottom view thereof.

1 Claim, 10 Drawing Sheets



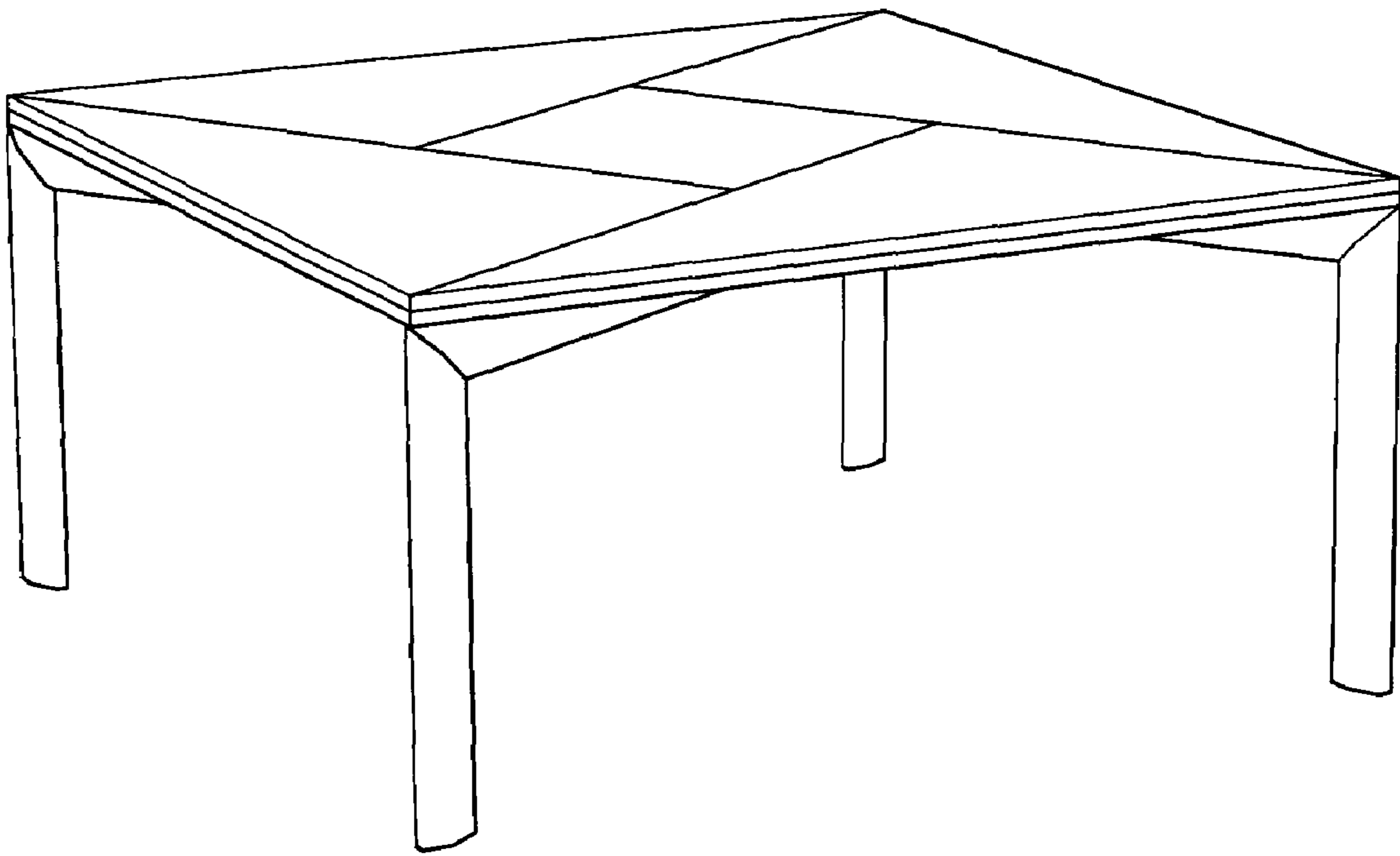


Fig. 1

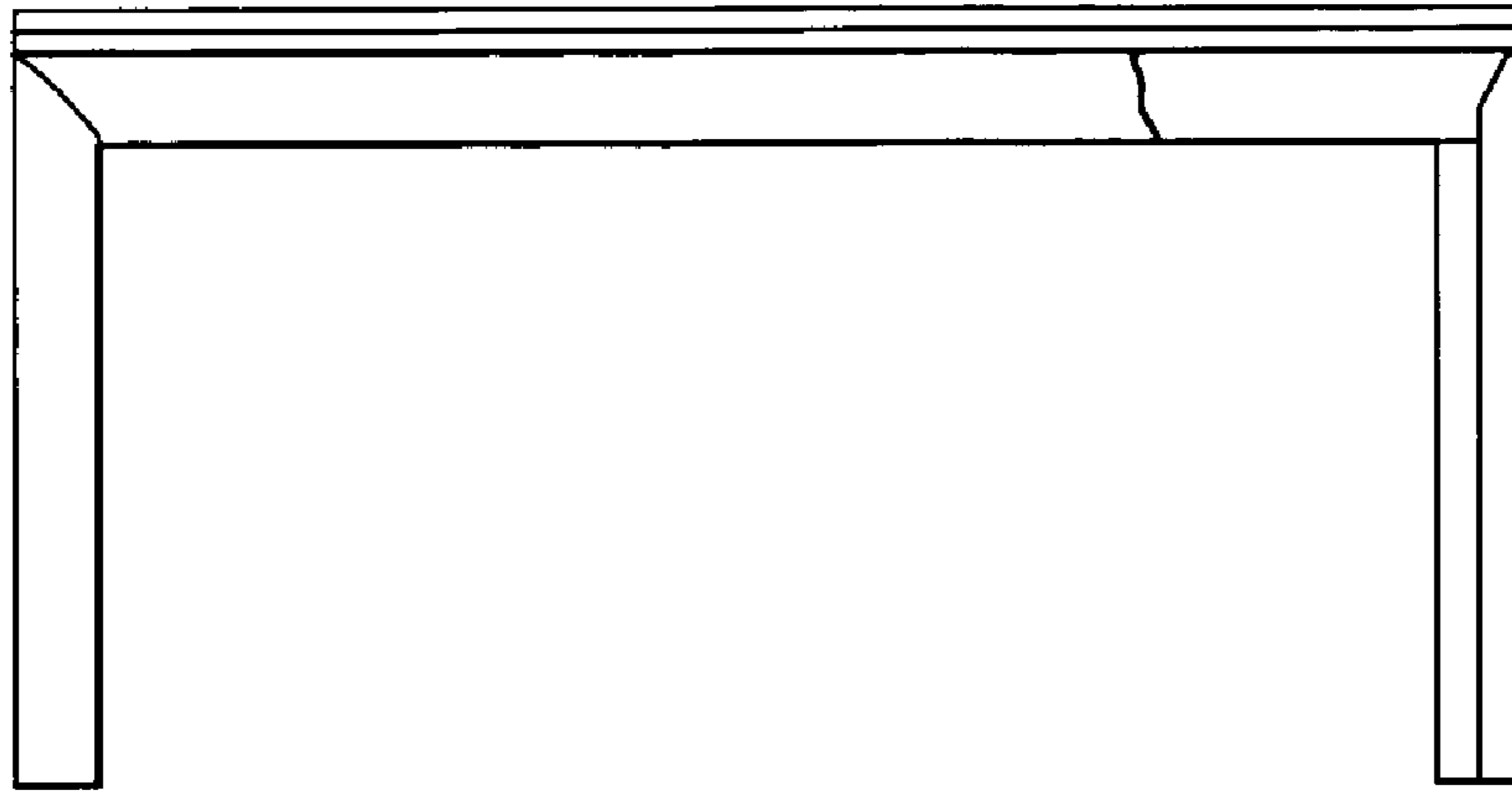


Fig. 2

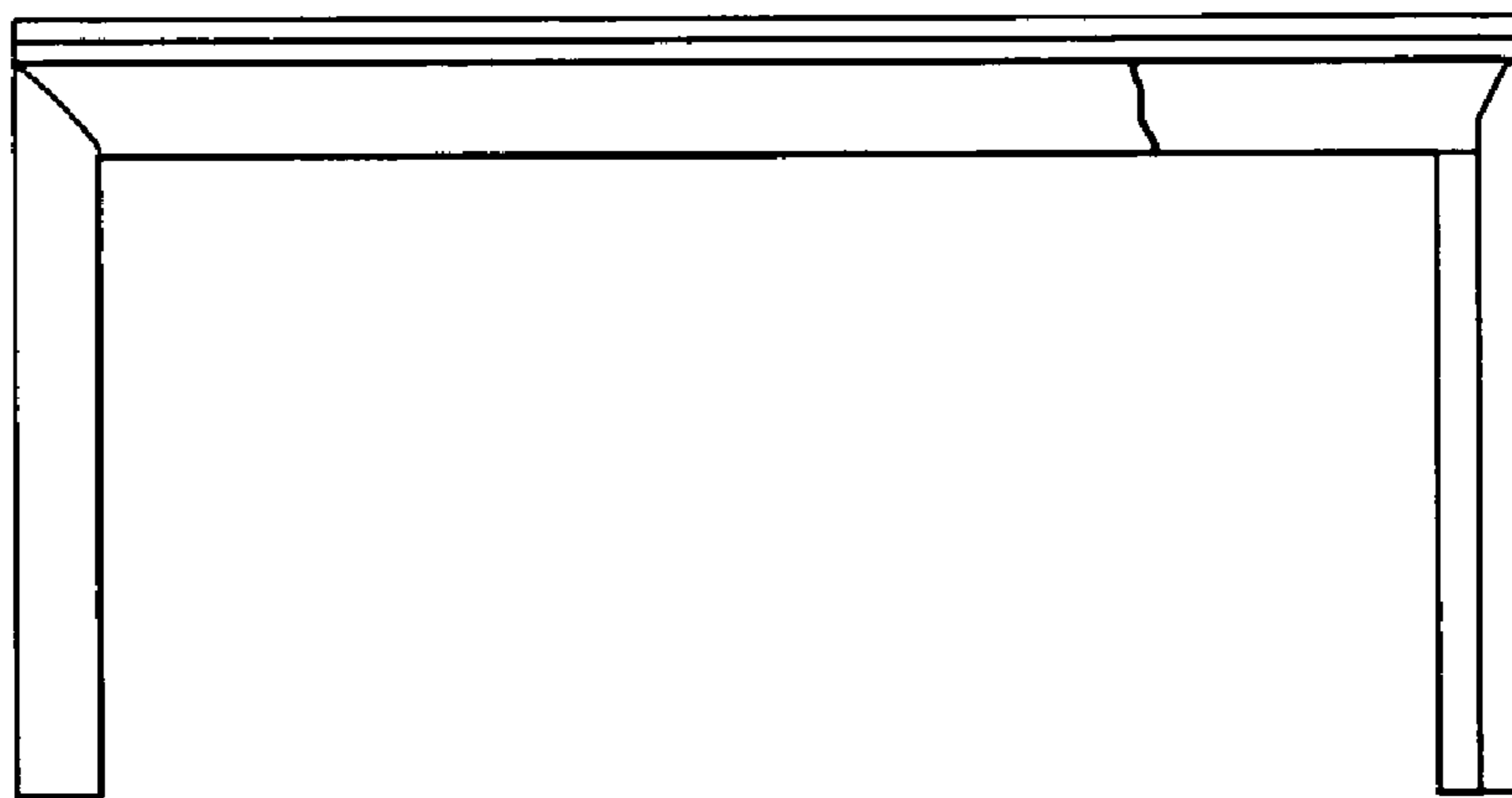


Fig. 3

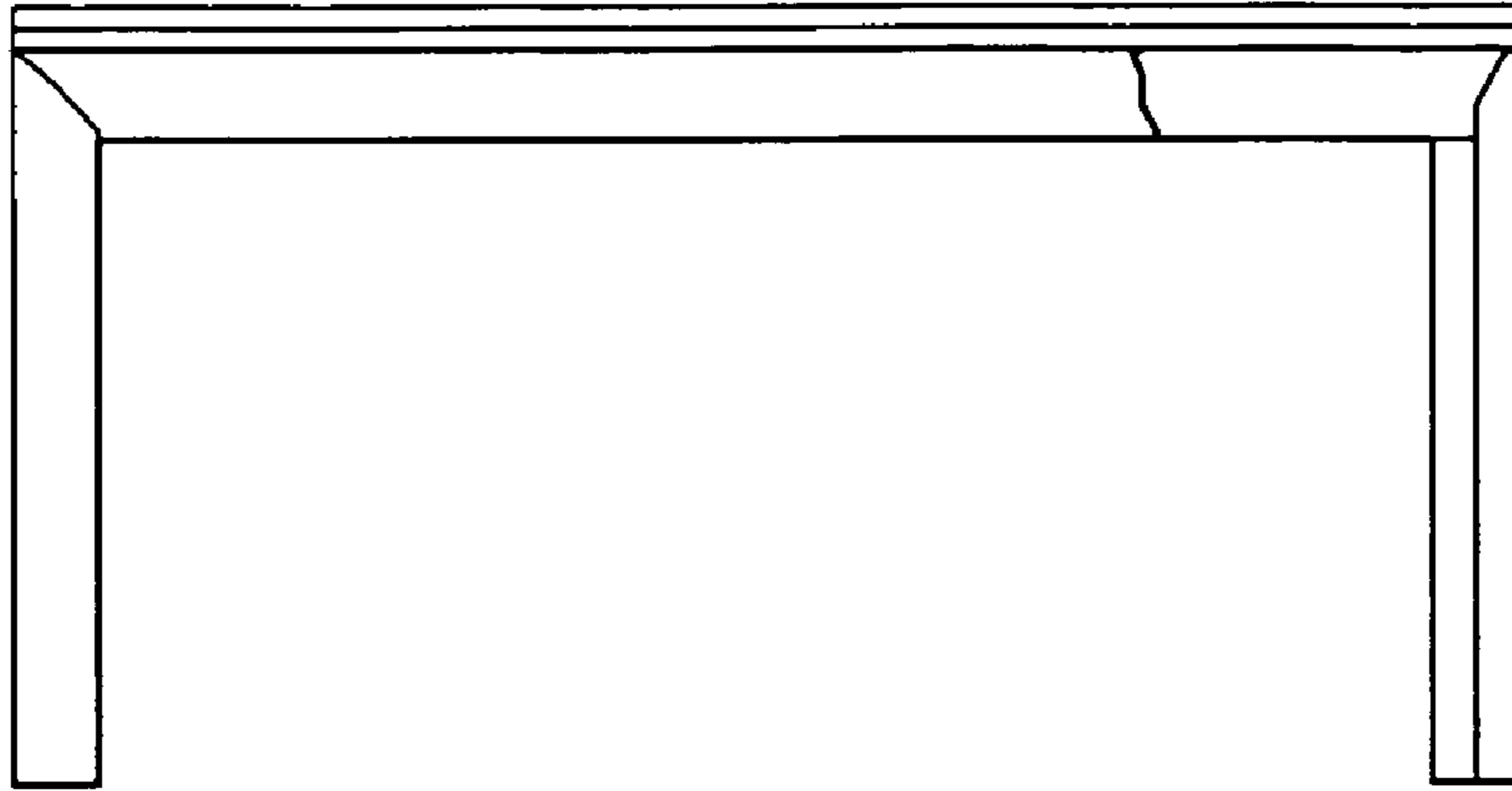


Fig. 4

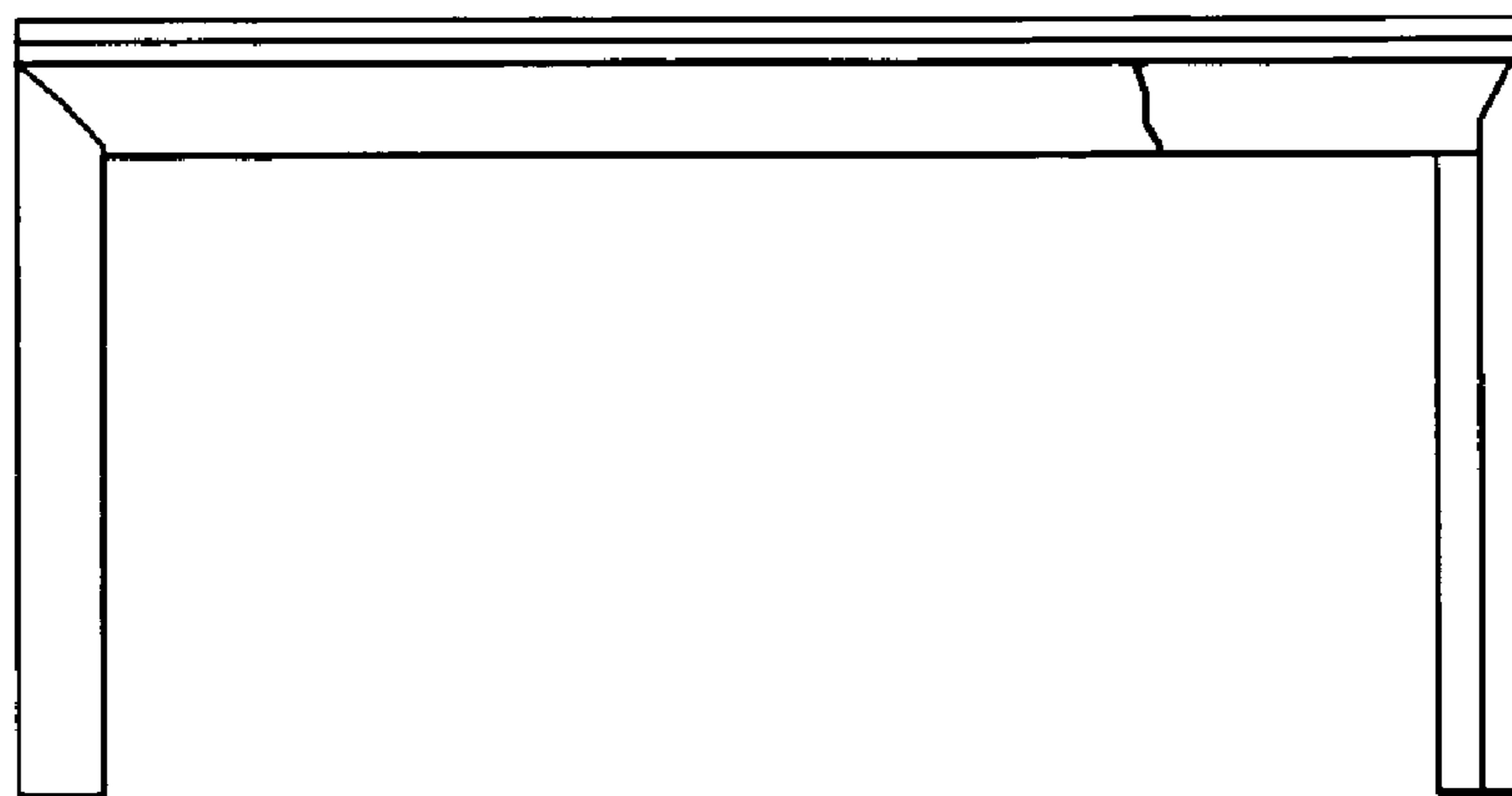


Fig. 5

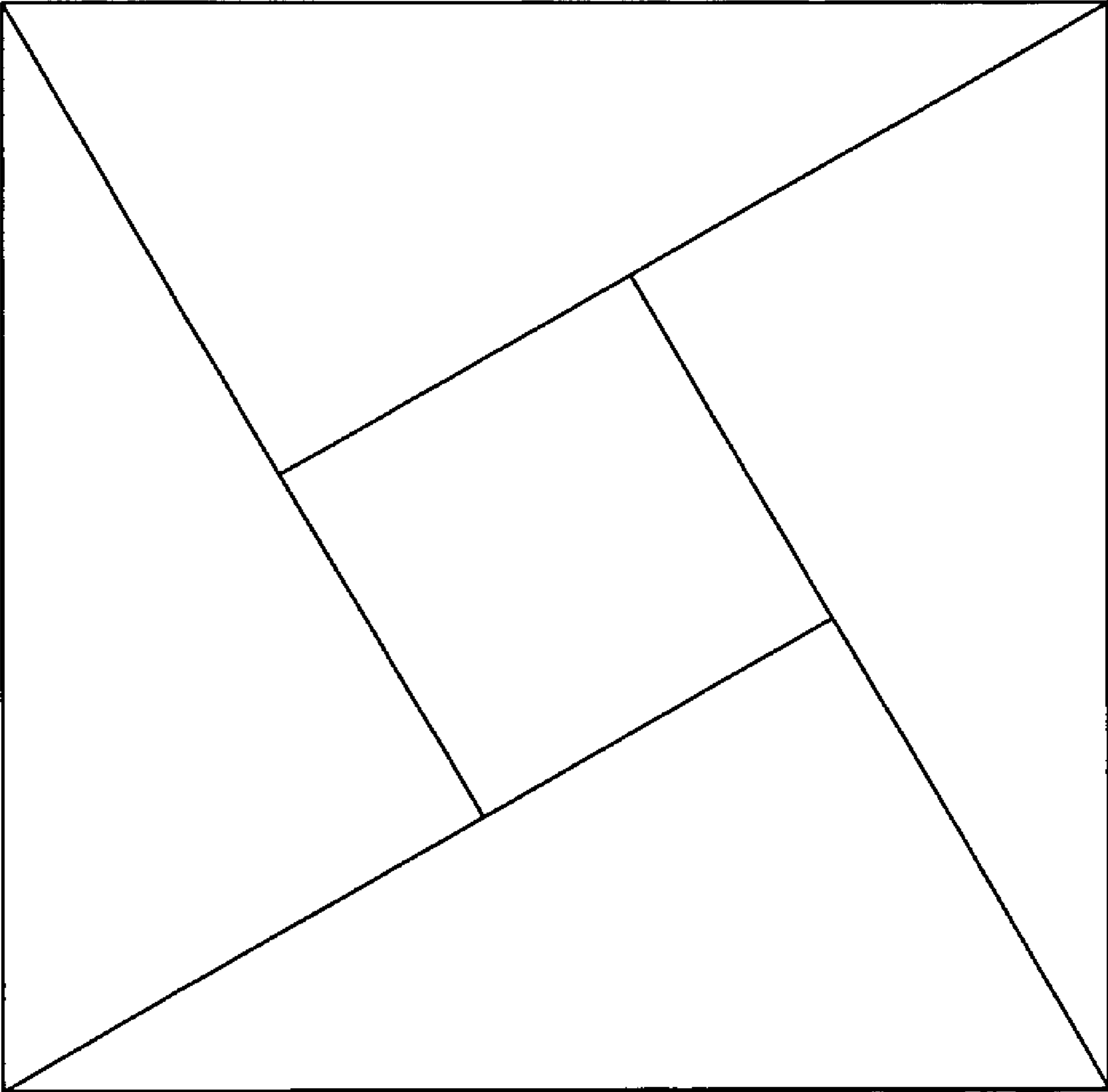


Fig. 6

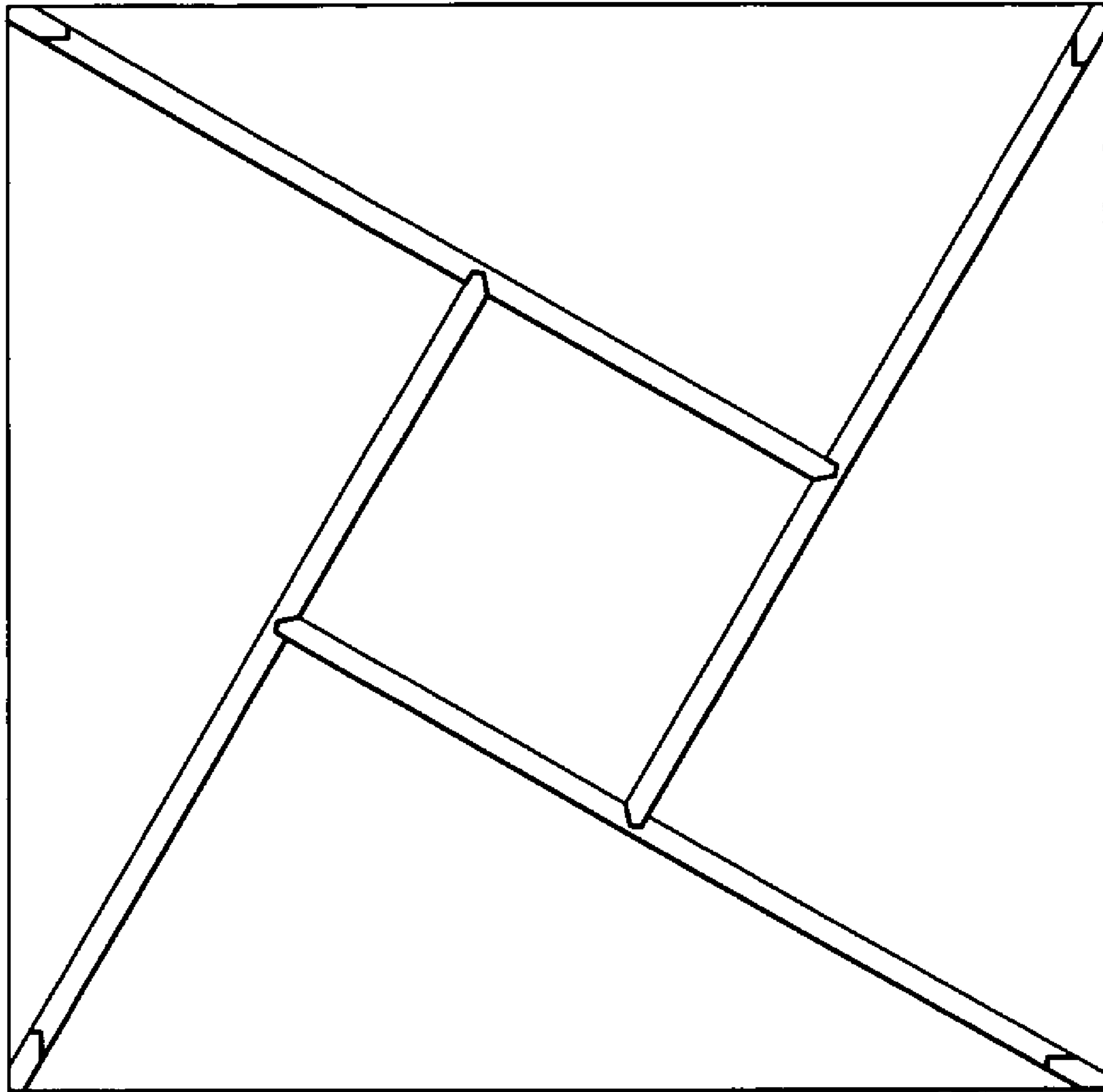


Fig. 7

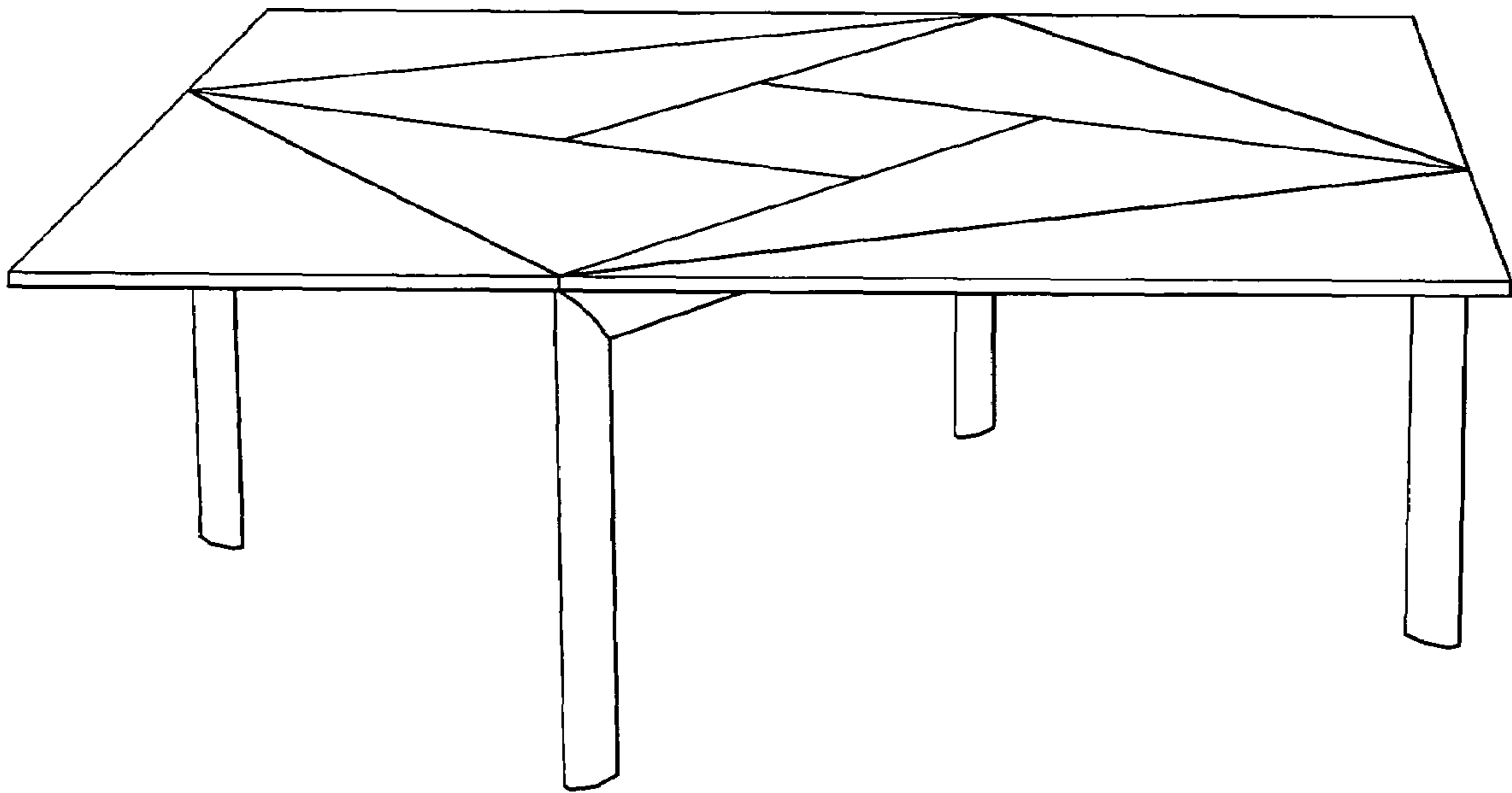


Fig. 8

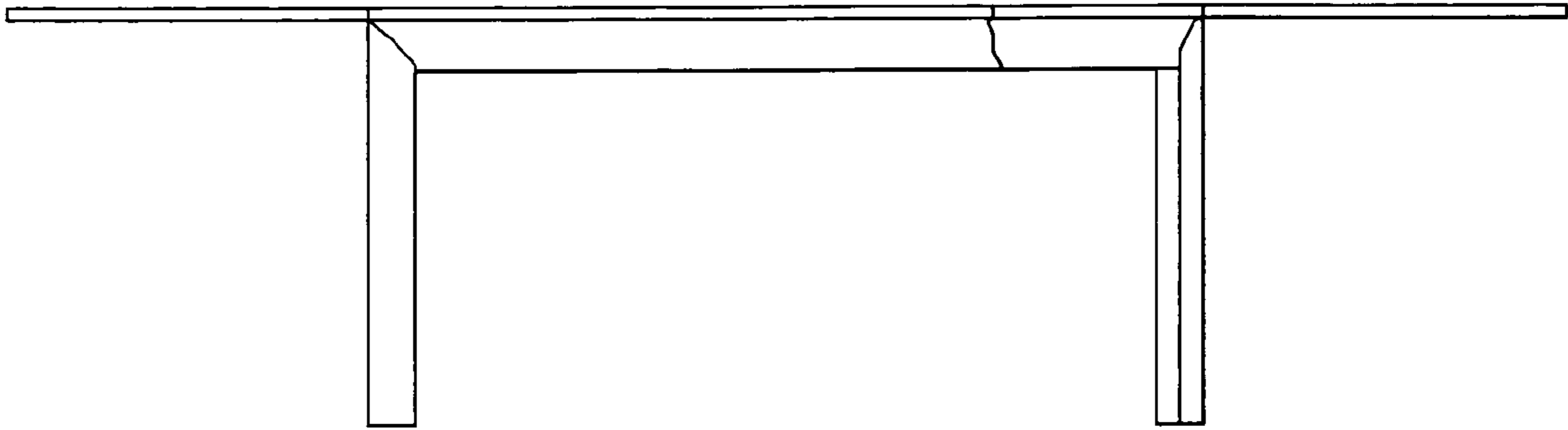


Fig. 9

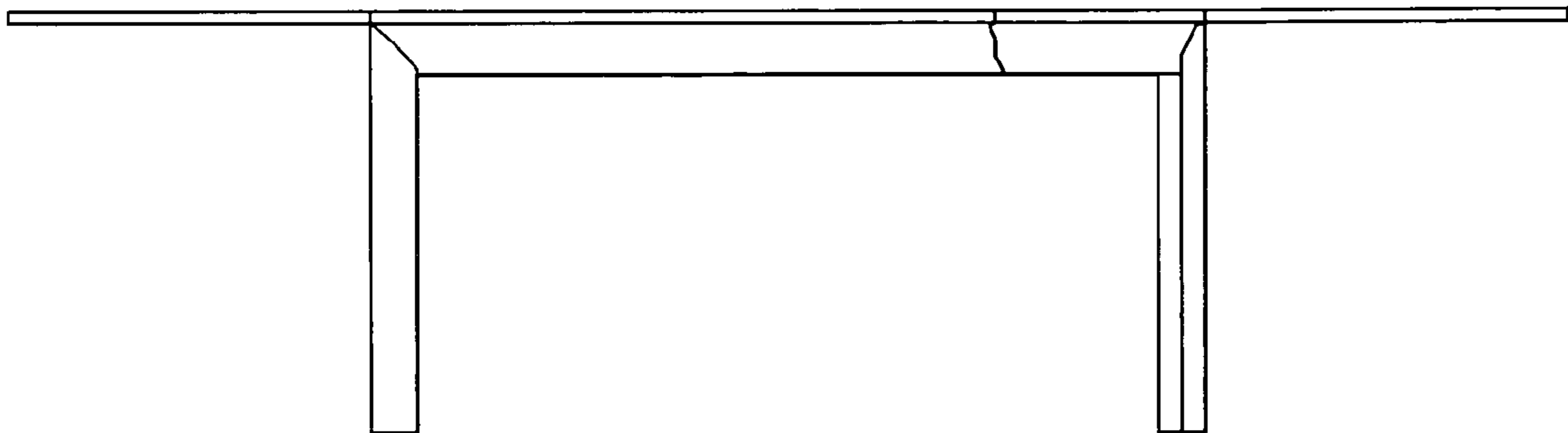


Fig. 10

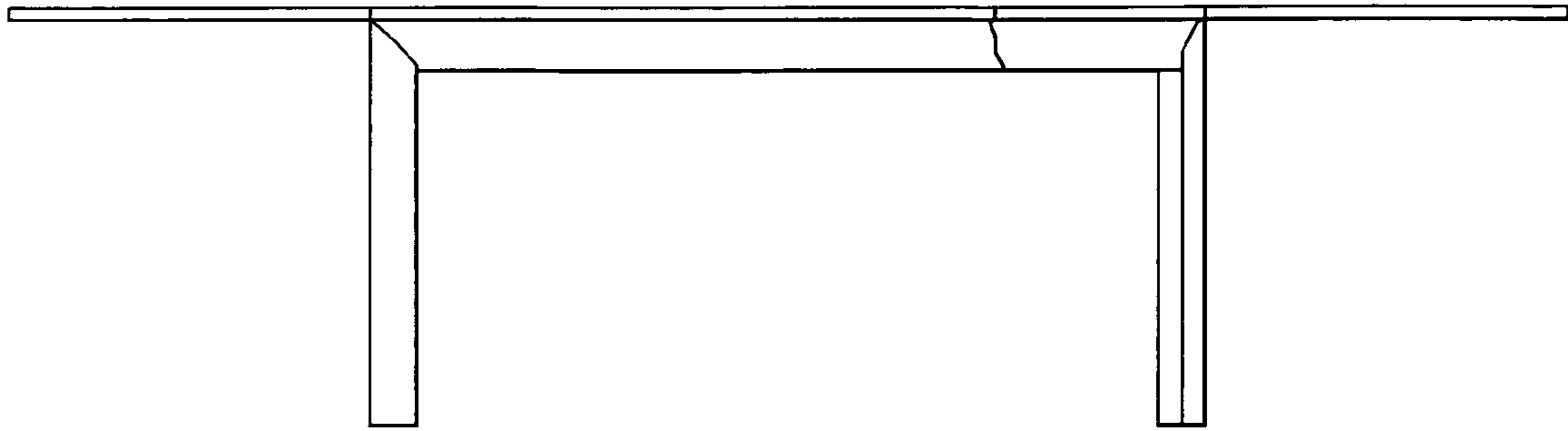


Fig. 11

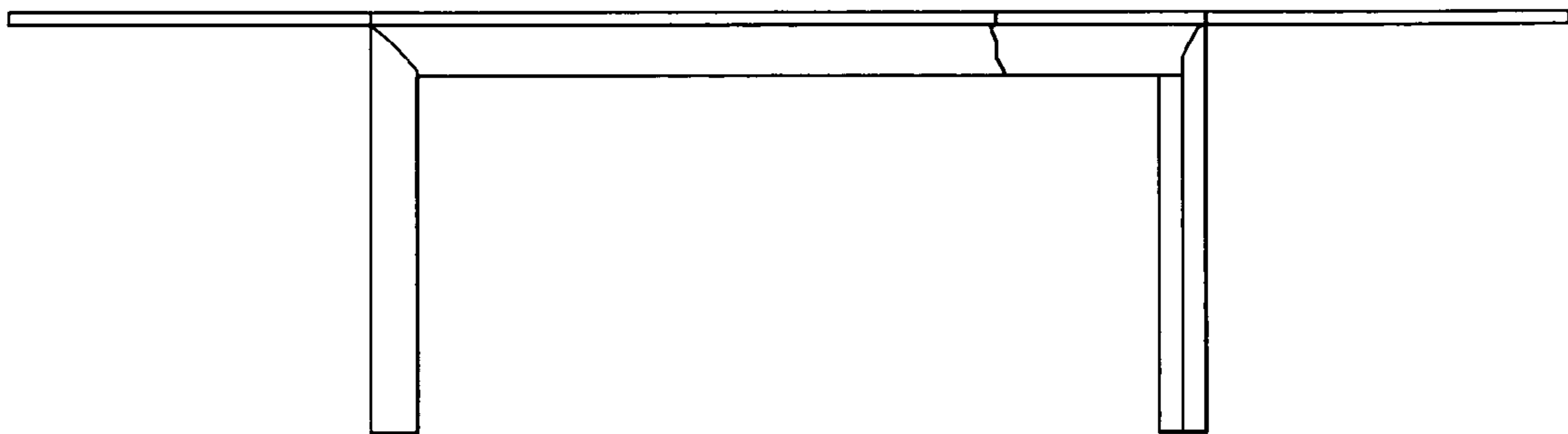


Fig. 12

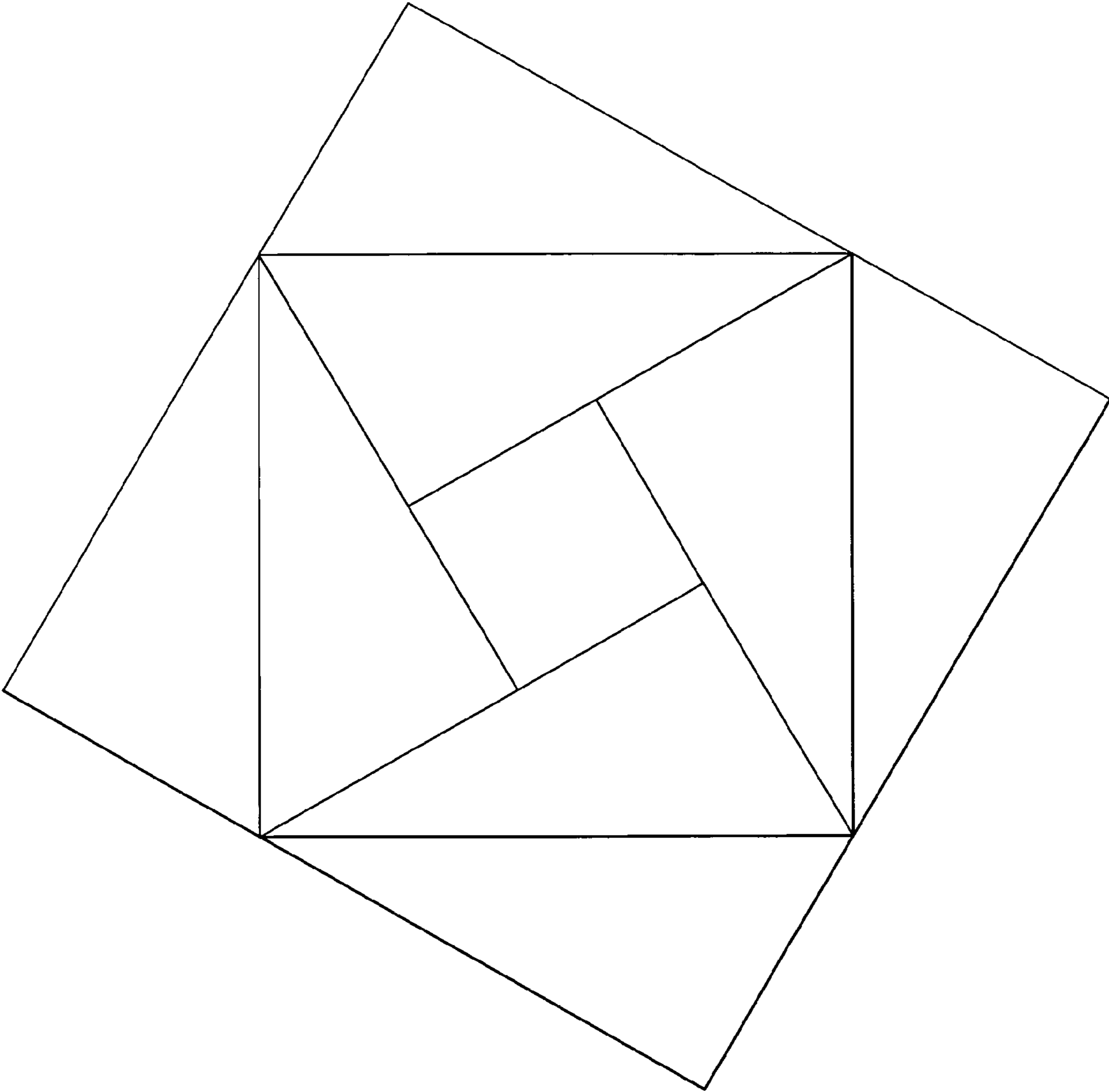


Fig. 13

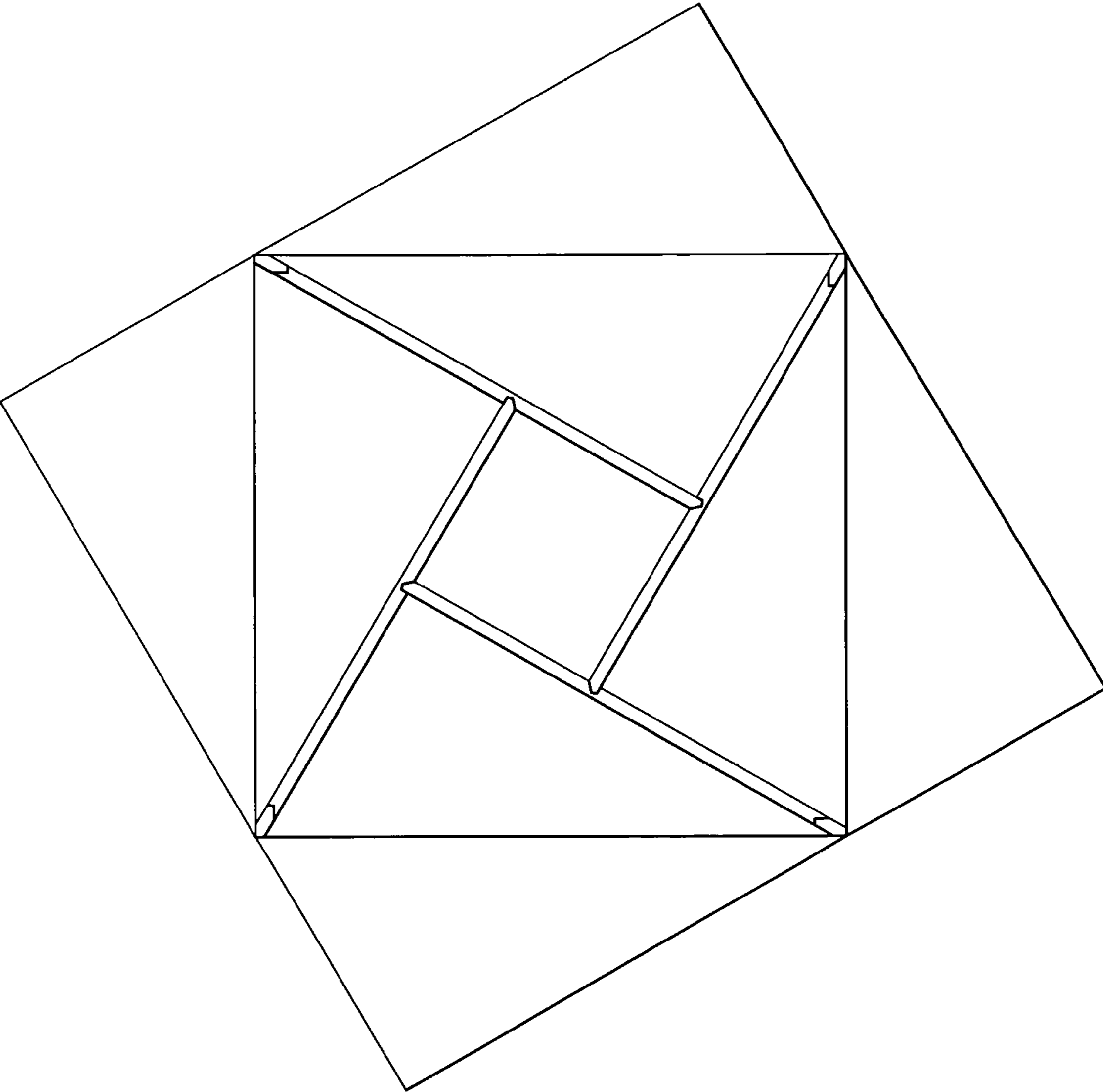


Fig. 14