

US00D604963S

(12) **United States Design Patent**
Potter

(10) **Patent No.:** **US D604,963 S**

(45) **Date of Patent:** **** Dec. 1, 2009**

(54) **TEQUILA TABLE**

(75) Inventor: **Erik G. Potter**, Cave Creek, AZ (US)

(73) Assignee: **Lisa M. Potter**, Phoenix, AZ (US)

(**) Term: **14 Years**

(21) Appl. No.: **29/324,040**

(22) Filed: **Sep. 5, 2008**

(51) **LOC (9) Cl.** **06-03**

(52) **U.S. Cl.** **D6/480**

(58) **Field of Classification Search** D6/480-489,
D6/495-499, 429-431, 511, 406.3, 406.5;
108/153.1, 155, 156, 161, 24-26, 50.12,
108/43; 248/188, 188.1; D7/553.1, 698
See application file for complete search history.

(56) **References Cited**

U.S. PATENT DOCUMENTS

D173,944 S * 2/1955 Harris D7/552.2
3,181,483 A * 5/1965 Devitt et al. 108/25
4,972,781 A * 11/1990 Montgomery et al. 108/25

D382,727 S * 8/1997 Kresge et al. D7/552.2
D399,680 S * 10/1998 Mak D6/480
D427,649 S * 7/2000 Mak D21/522

* cited by examiner

Primary Examiner—Janice E Seeger

(74) *Attorney, Agent, or Firm*—Shoemaker and Mattare

(57) **CLAIM**

The ornamental design for a tequila table, as shown and described.

DESCRIPTION

FIG. 1 is a perspective view of a tequila table, showing my new design from the top, front and left side;

FIG. 2 is a top plan view thereof;

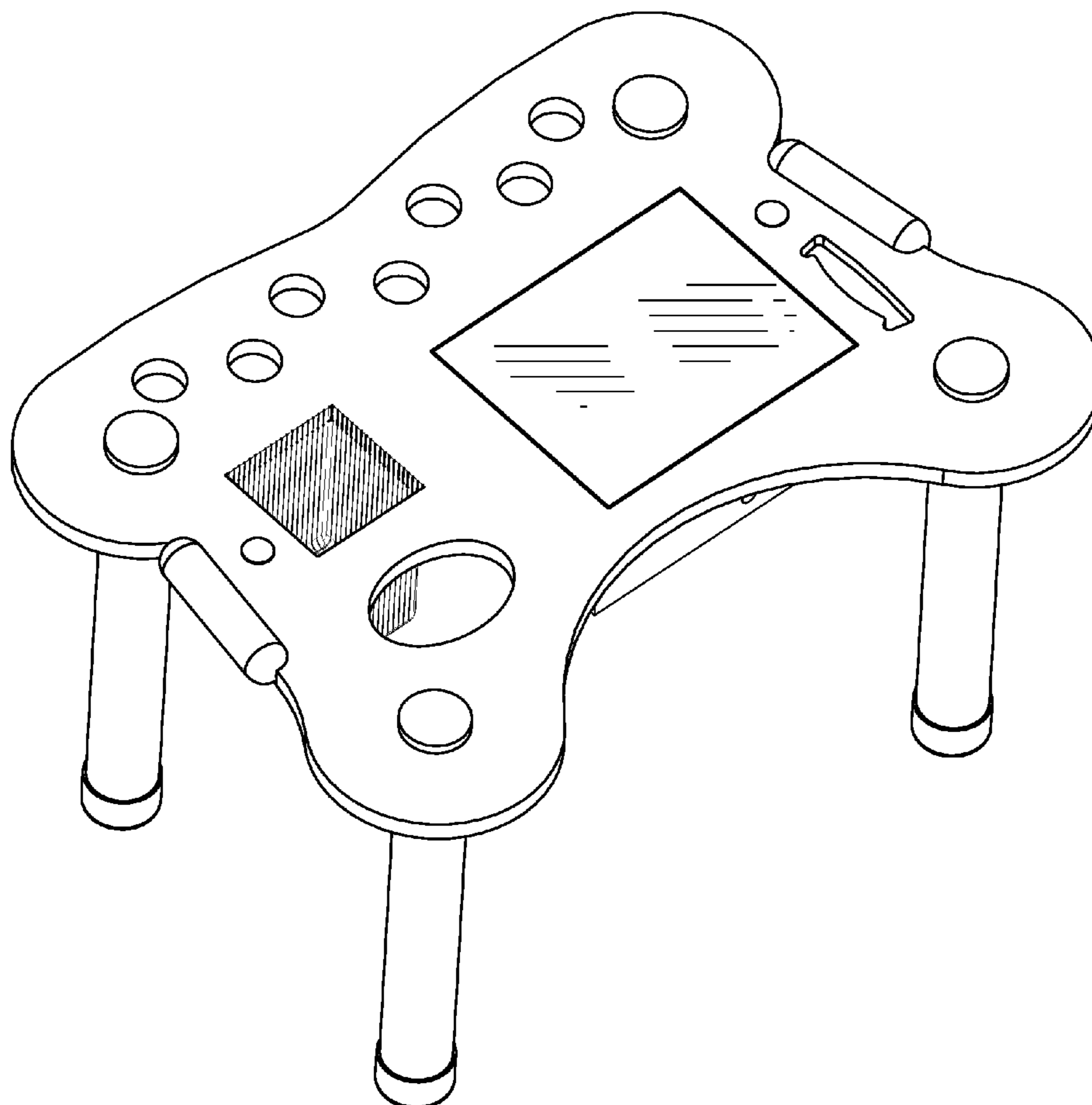
FIG. 3 is a front elevational view thereof;

FIG. 4 is a rear elevational view thereof;

FIG. 5 is a left side view thereof; and,

FIG. 6 is a right side view thereof.

1 Claim, 3 Drawing Sheets



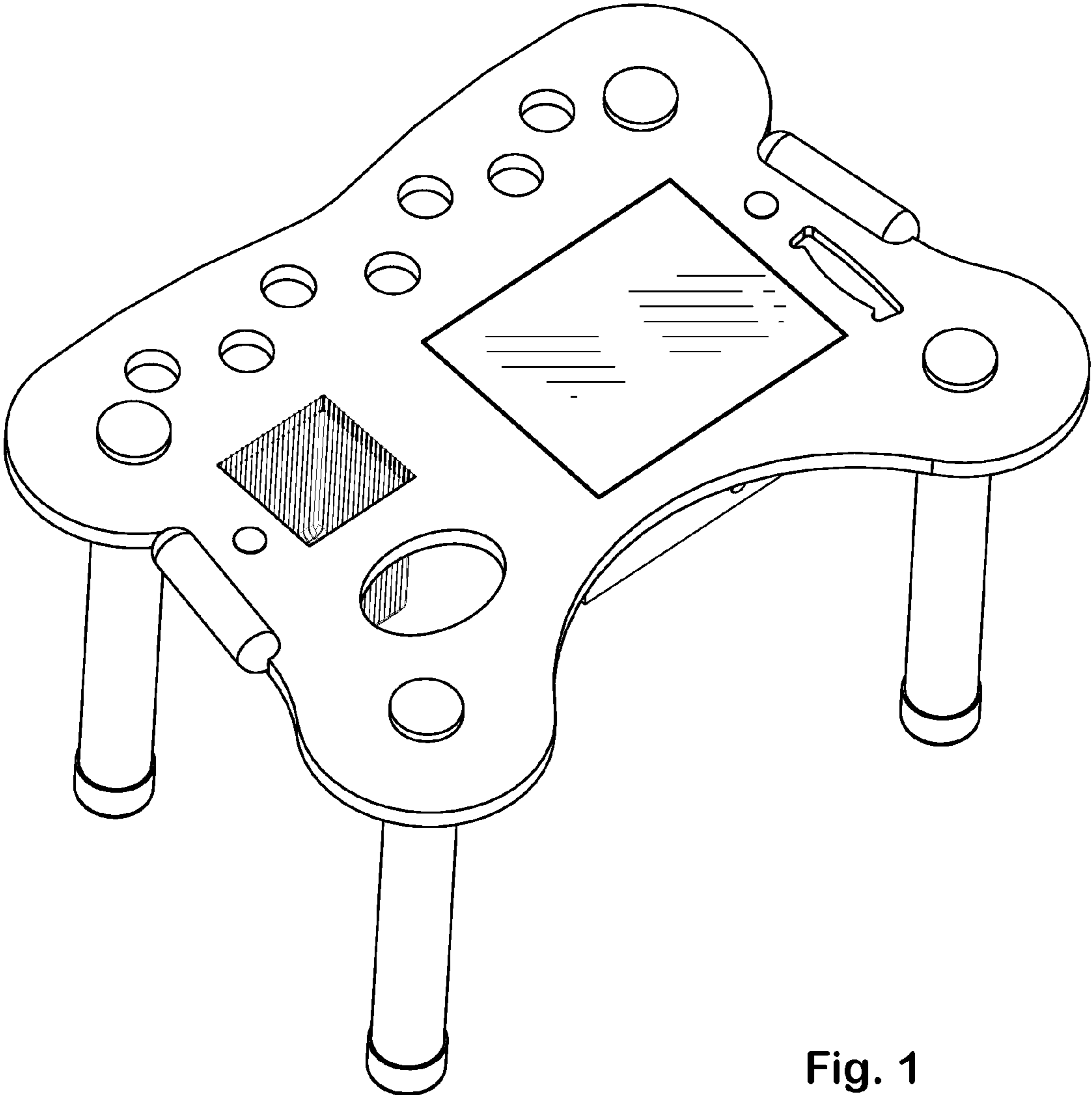


Fig. 1

Fig. 2

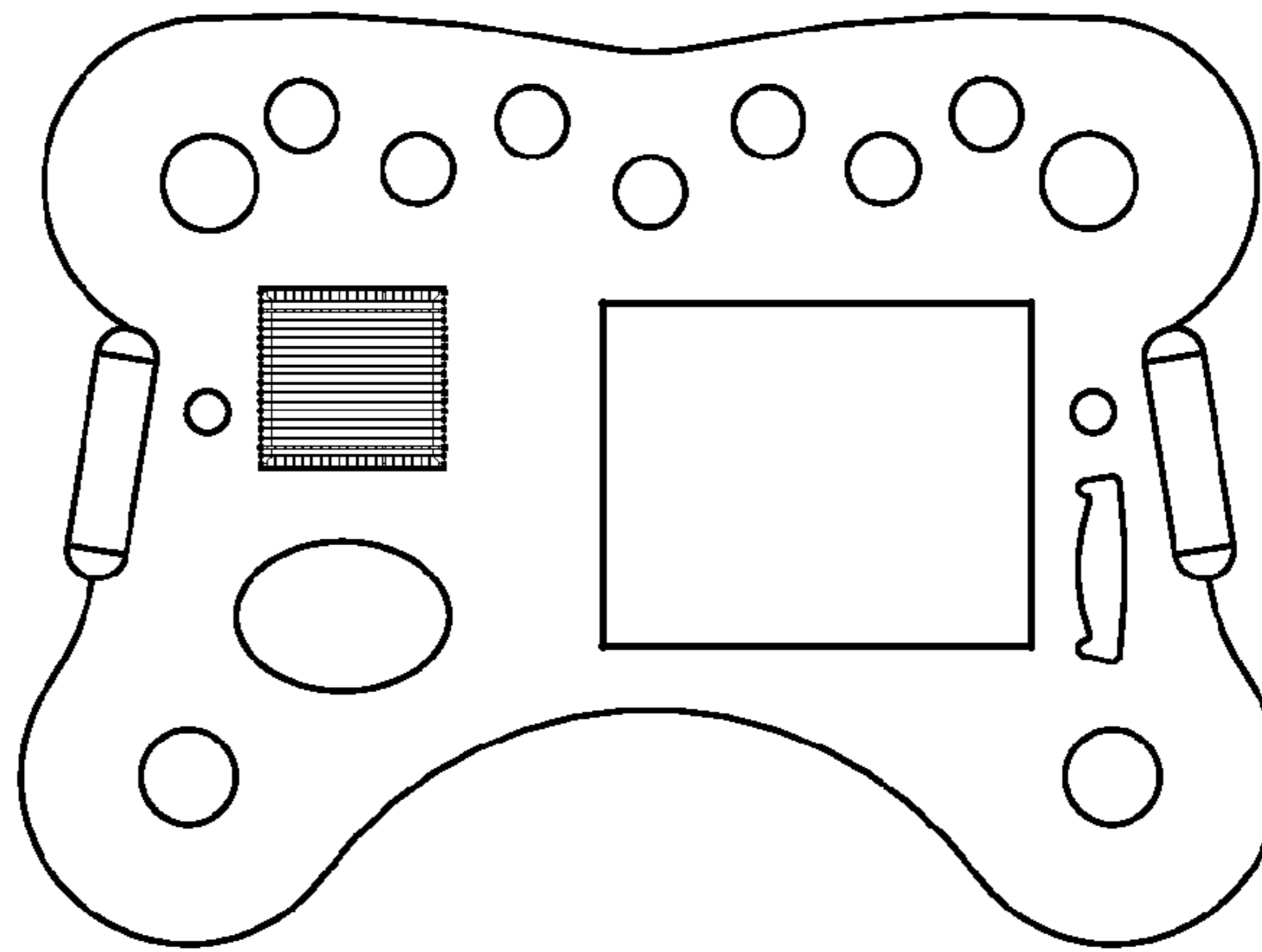


Fig. 3

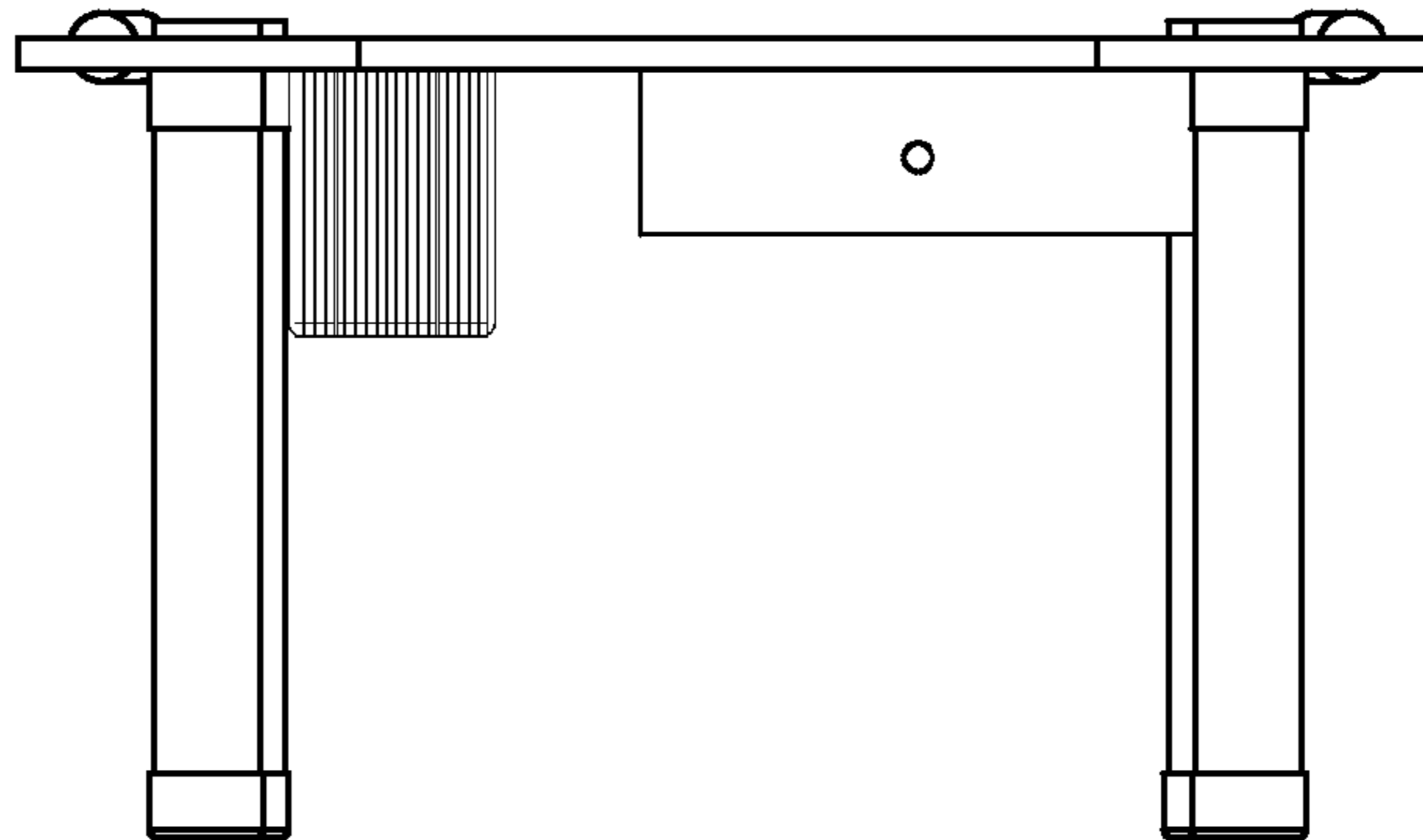


Fig. 4

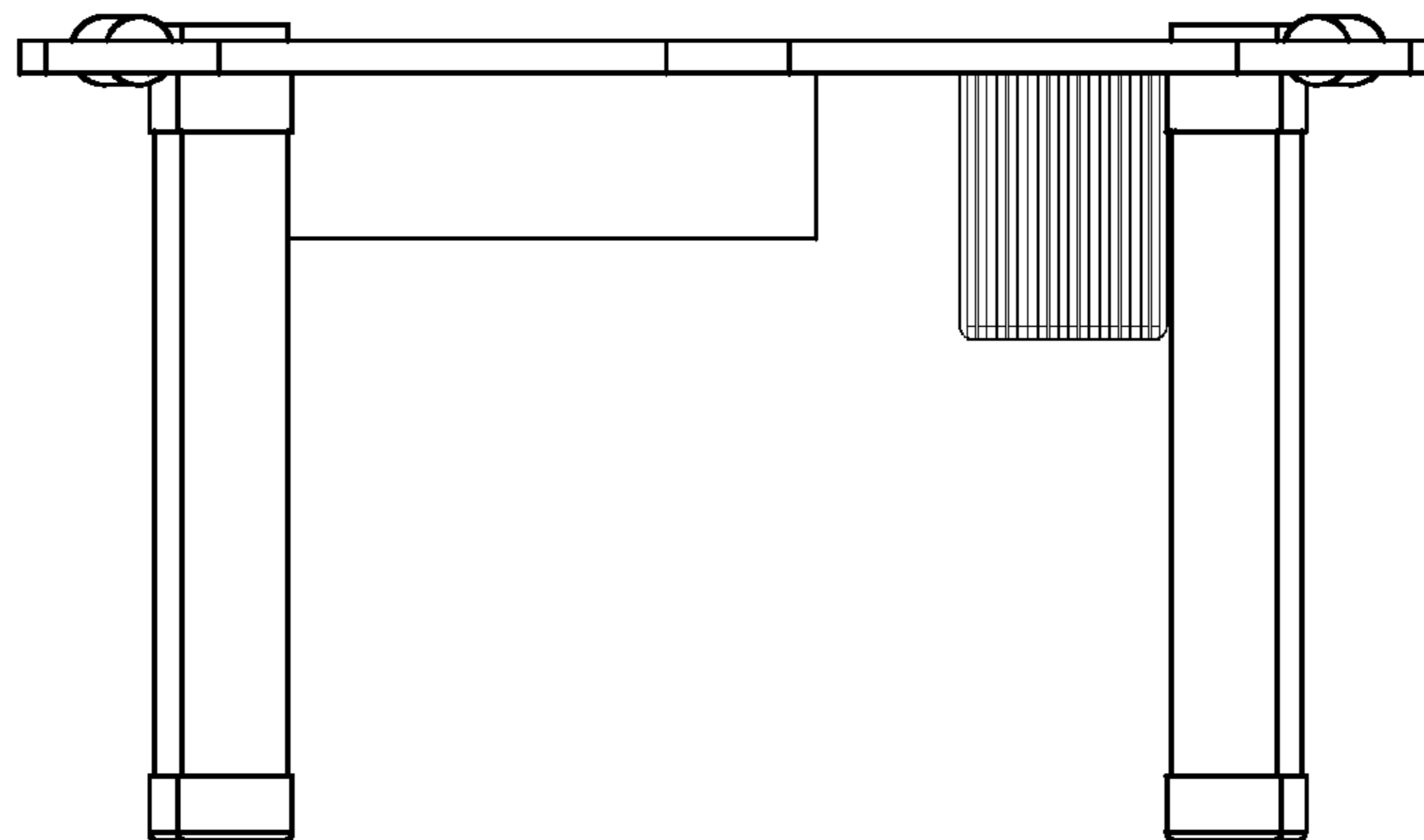


Fig. 5

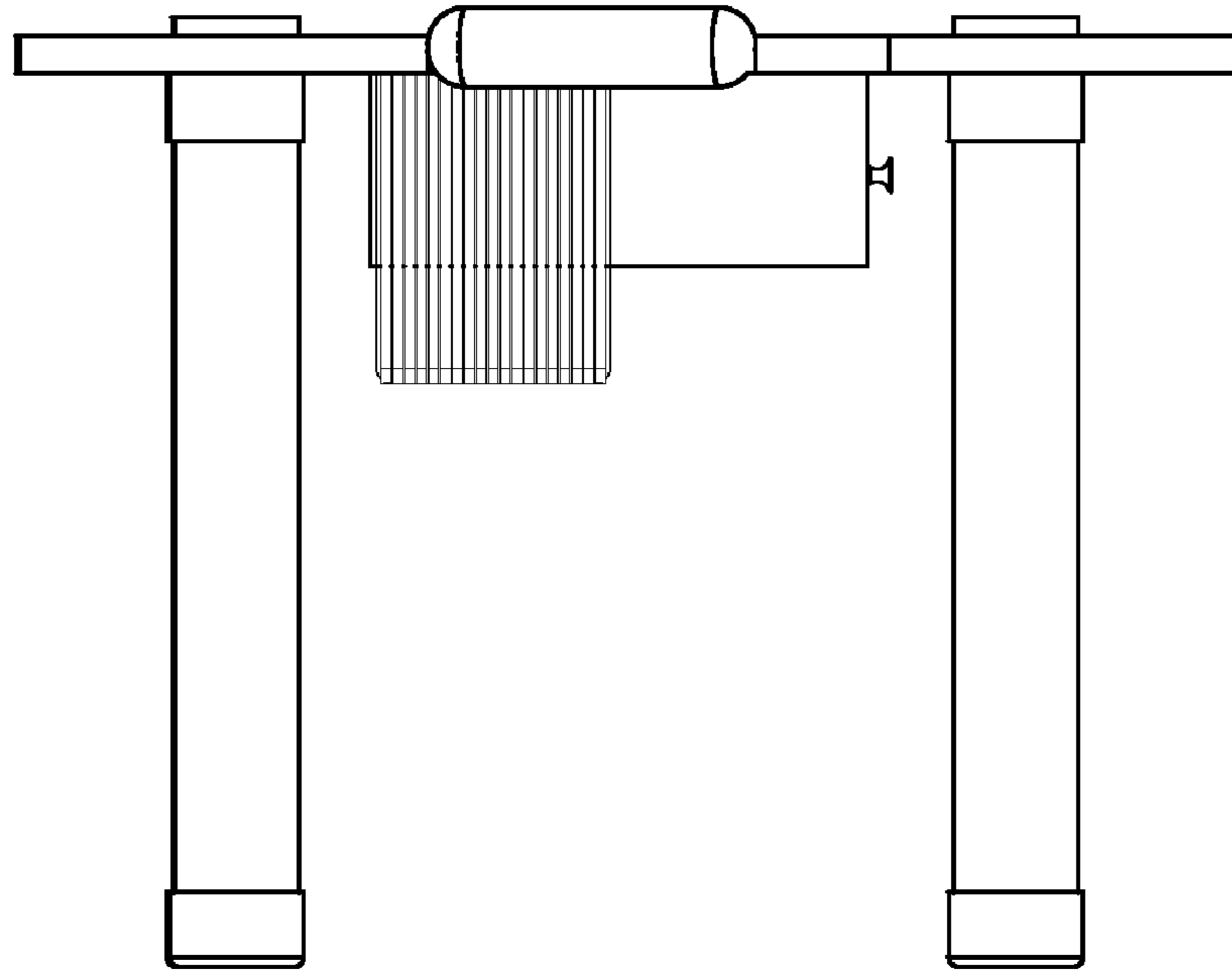


Fig. 6

