

US00D604962S

(12) **United States Design Patent**
Daud

(10) **Patent No.:** **US D604,962 S**
(45) **Date of Patent:** **** Dec. 1, 2009**

(54) **TELEVISION STAND**

D589,280 S * 3/2009 Zambelli D6/477
D590,637 S * 4/2009 Portnoy D6/477
D592,428 S * 5/2009 Zambelli D6/477

(75) Inventor: **Abdullah Bin Daud**, Melaka (MY)

(73) Assignee: **Blumenthal Distributing, Inc.**, Ontario, CA (US)

(**) Term: **14 Years**

* cited by examiner

Primary Examiner—Elizabeth A Albert

Assistant Examiner—Kelley A Donnelly

(74) *Attorney, Agent, or Firm*—Christie, Parker & Hale, LLP.

(21) Appl. No.: **29/315,523**

(57) **CLAIM**

(22) Filed: **Jul. 1, 2009**

The ornamental design for television stand, as shown and described.

(51) **LOC (9) Cl.** **06-04**

(52) **U.S. Cl.** **D6/477**

(58) **Field of Classification Search** D6/477-479,
D6/474; 108/59-60, 91-92, 147.11, 149;
211/153, 186, 188, 194; 312/9.1, 7.2, 223.1
See application file for complete search history.

DESCRIPTION

FIG. 1 is a perspective view of the television stand according to the present invention;

FIG. 2 is a front elevational view of the television stand as shown in FIG. 1;

FIG. 3 is a side elevational view of the television stand as shown in FIG. 1;

FIG. 4 is a rear elevational view of the television stand as shown in FIG. 1; and,

FIG. 5 is a bottom plan view of the television stand as shown in FIG. 1.

The broken lines are for environmental purposes only and form no part of the claimed design.

(56) **References Cited**

U.S. PATENT DOCUMENTS

| | | | | |
|--------------|--------|------------|-------|---------|
| D166,377 S * | 4/1952 | Curtis | | D6/477 |
| D491,750 S * | 6/2004 | Bertoncini | | D6/474 |
| D501,740 S * | 2/2005 | Sexton | | D6/477 |
| D505,808 S * | 6/2005 | Wicha | | D6/477 |
| D507,128 S * | 7/2005 | Choo | | D6/477 |
| D508,801 S * | 8/2005 | Holst | | D6/477 |
| D547,297 S * | 7/2007 | Nakamura | | D14/168 |
| D564,260 S * | 3/2008 | deCarolus | | D6/477 |
| D587,497 S * | 3/2009 | Zambelli | | D6/477 |

1 Claim, 4 Drawing Sheets

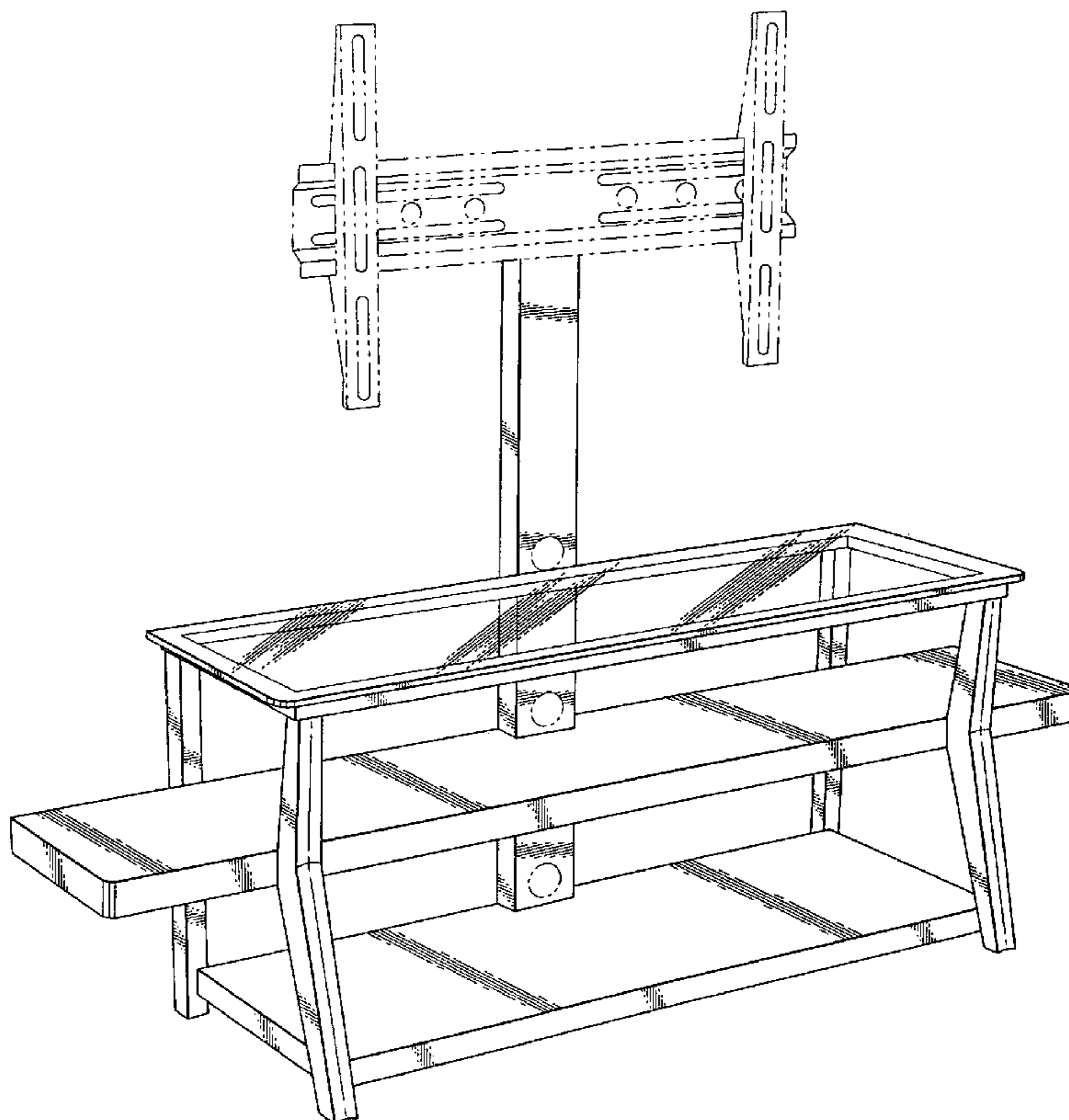
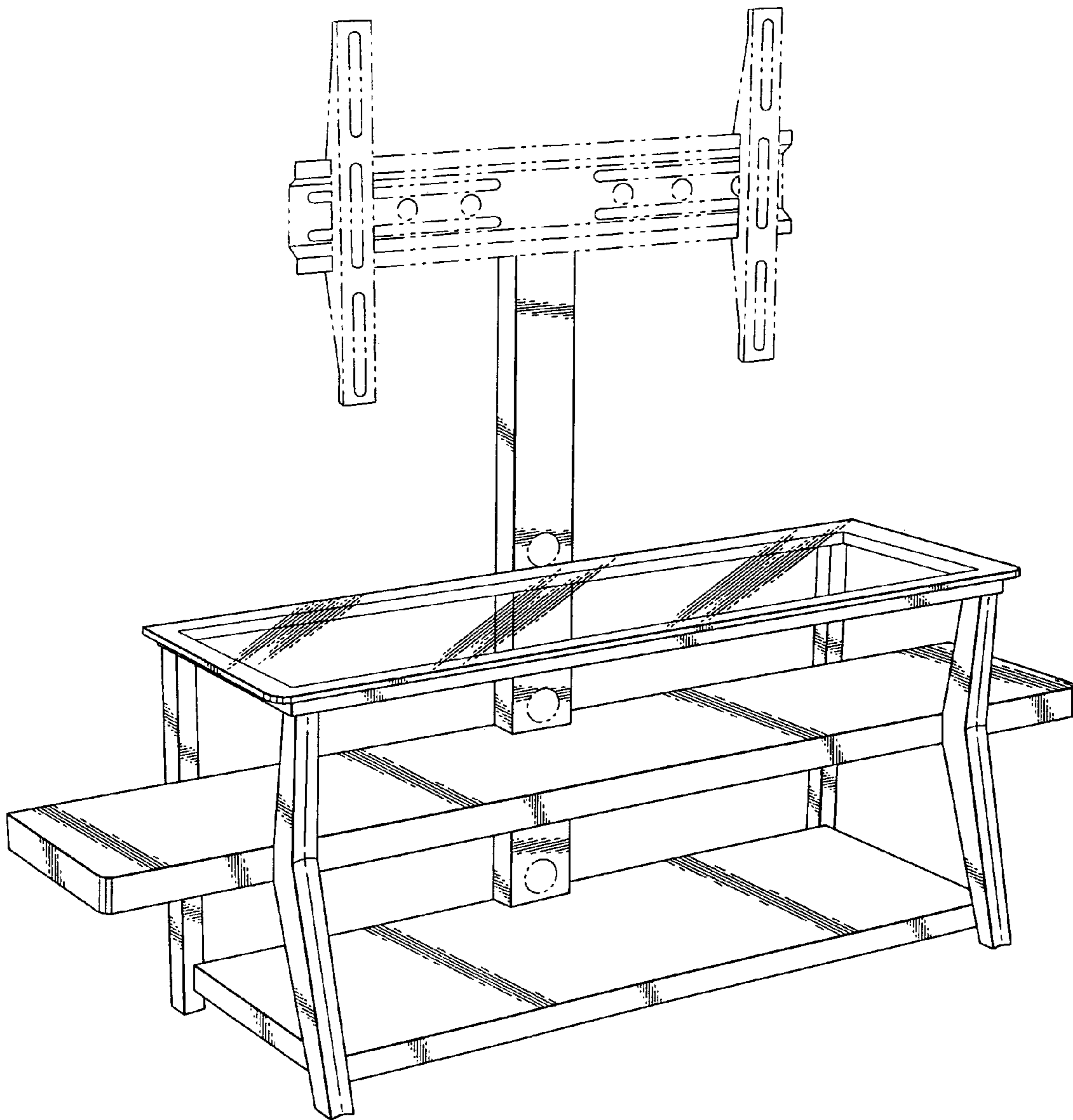


FIG. 1



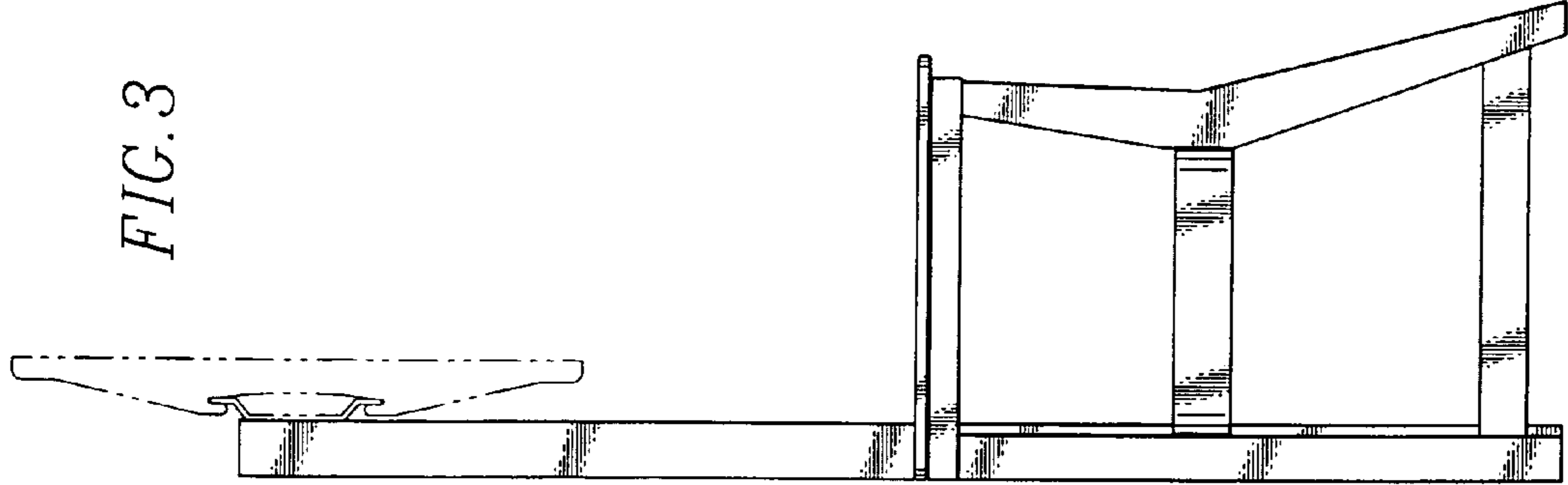


FIG. 3

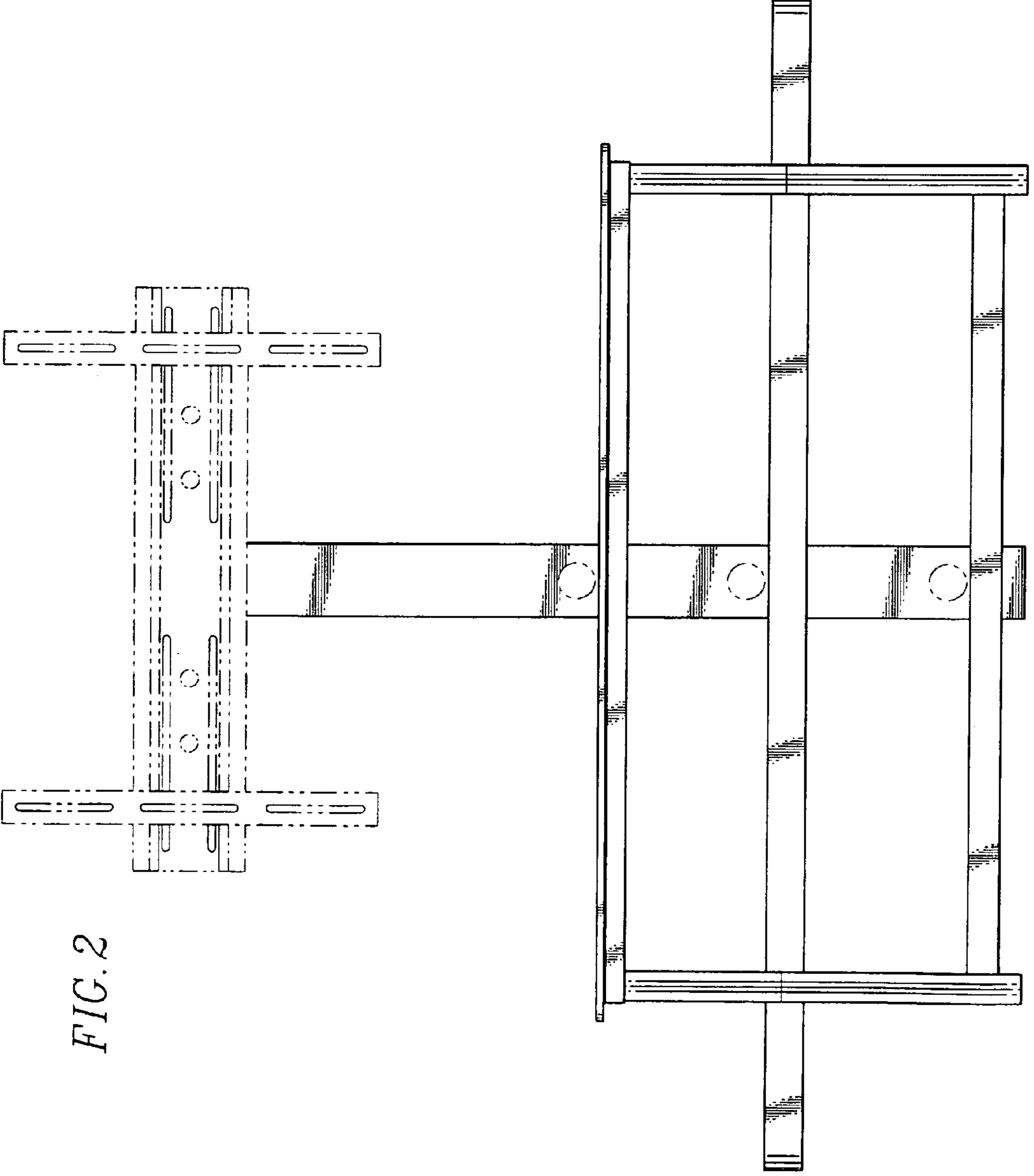


FIG. 2

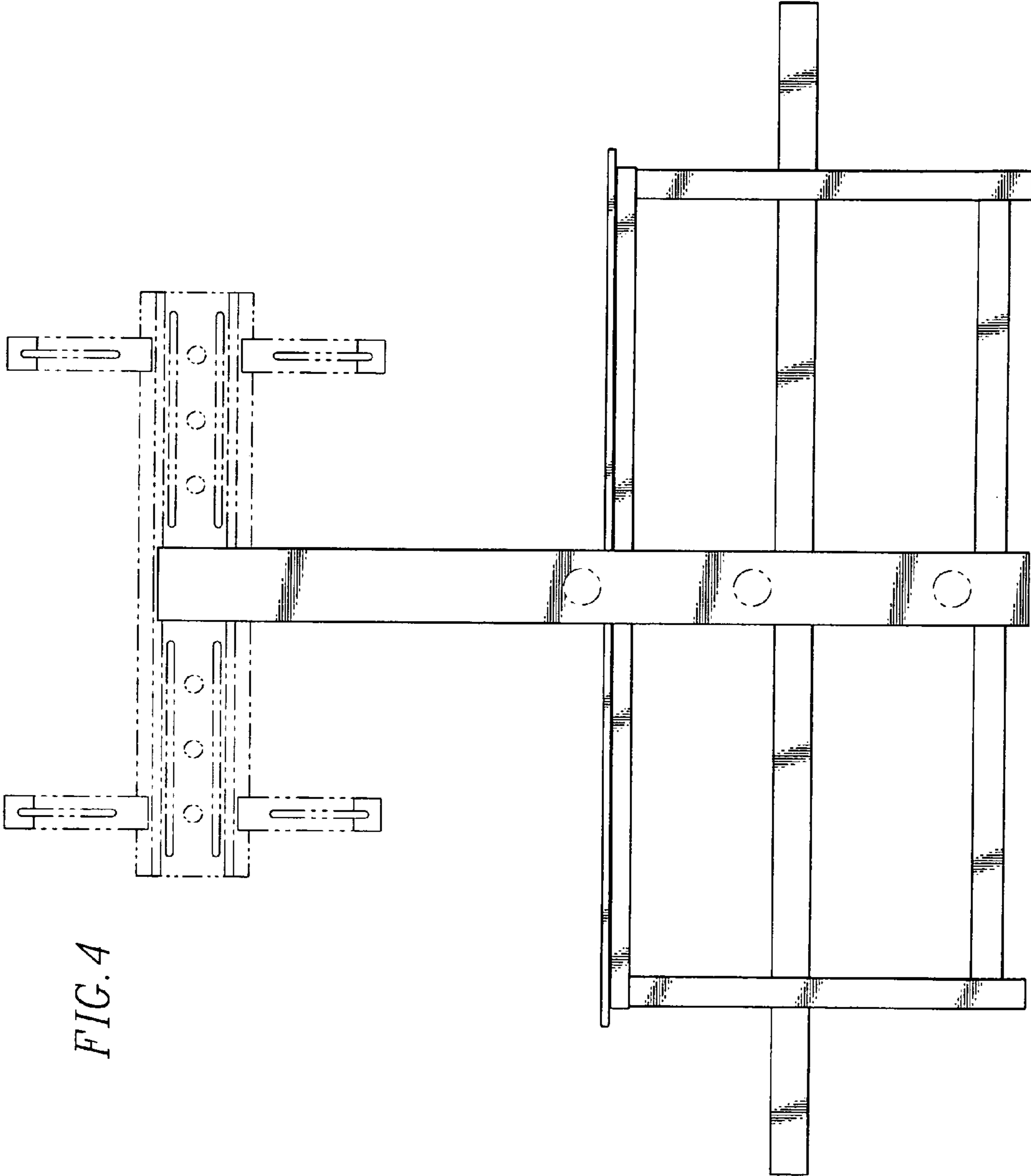


FIG. 4

FIG. 5

