



US00D604959S

(12) **United States Design Patent**
Good

(10) **Patent No.:** **US D604,959 S**

(45) **Date of Patent:** **** Dec. 1, 2009**

(54) **CABINET**

(76) **Inventor:** **Glendon R. Good**, 2945 Red Rock Loop Rd., Sedona, AZ (US) 86336-9194

(**) **Term:** **14 Years**

(21) **Appl. No.:** **29/263,757**

(22) **Filed:** **Jul. 28, 2006**

(51) **LOC (9) Cl.** **06-04**

(52) **U.S. Cl.** **D6/436**

(58) **Field of Classification Search** D6/397,
D6/425-426, 429, 432-448, 470, 474, 477-480,
D6/484; D34/14, 17, 19; 312/108, 114,
312/138.1, 194, 198, 204, 216, 249.4-249.5,
312/249.11, 278-279, 330.1, 334.36, 348.3
See application file for complete search history.

(56) **References Cited**

U.S. PATENT DOCUMENTS

D368,392 S *	4/1996	Brunner et al.	D6/436
D388,634 S *	1/1998	Mulligan et al.	D6/436
D401,081 S *	11/1998	Zaidman	D6/446
D428,733 S *	8/2000	Hazen et al.	D6/441
D440,071 S *	4/2001	Hutton	D6/436

D446,665 S *	8/2001	Hutton	D6/436
D485,451 S *	1/2004	De Blois	D6/436
D529,309 S *	10/2006	Juneau et al.	D6/436
D563,117 S *	3/2008	Mayer et al.	D6/436
D569,127 S *	5/2008	Kanthasamy	D6/436

* cited by examiner

Primary Examiner—Joel Sincavage

Assistant Examiner—Ricky Pham

(57) **CLAIM**

I claim the ornamental design for a cabinet, as shown and described.

DESCRIPTION

FIG. 1 is a perspective view of a cabinet showing the new and original design;

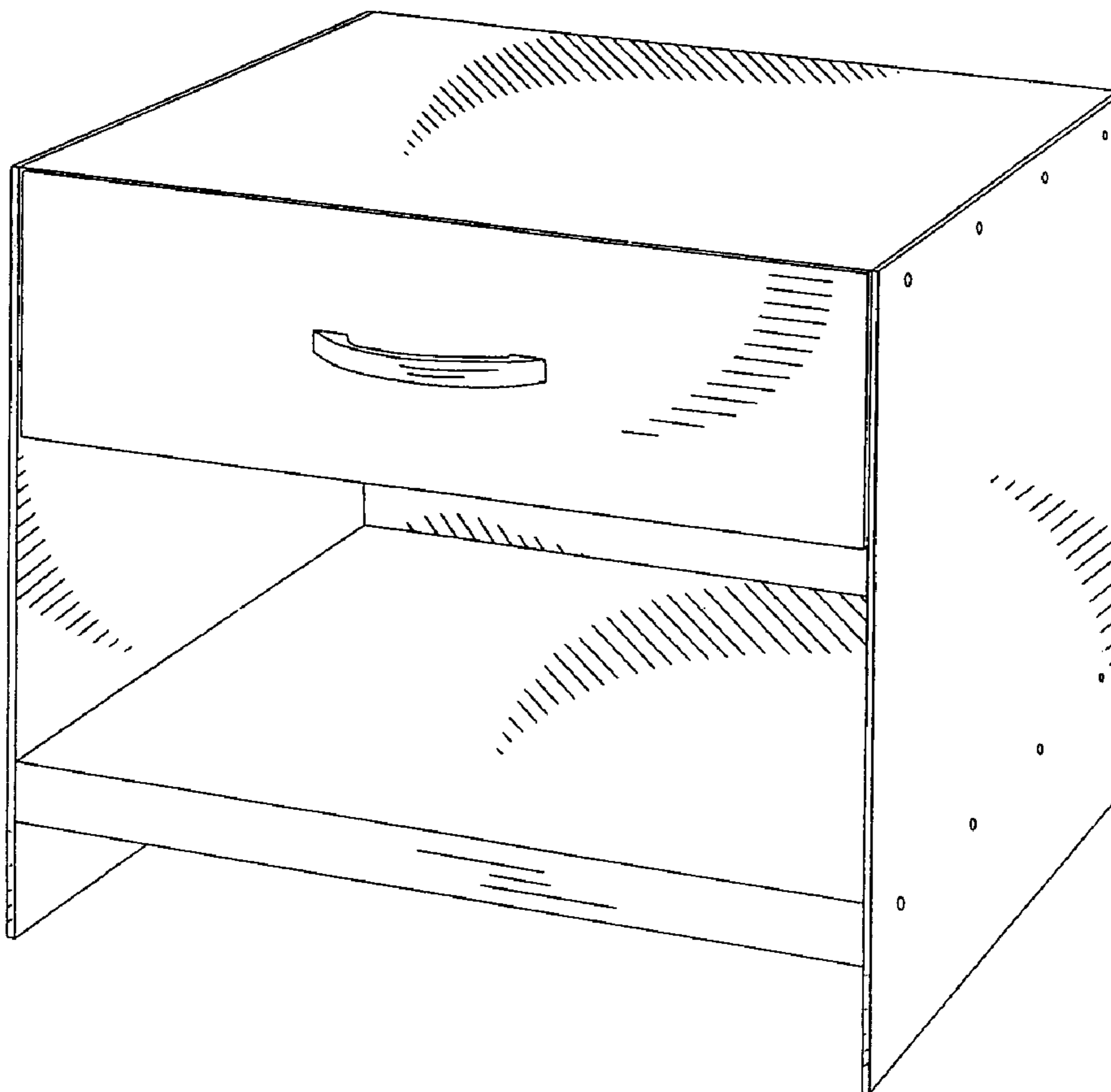
FIG. 2 is a front elevational view thereof;

FIG. 3 is a top plan view with the bottom plan view being a mirror image thereof;

FIG. 4 is a rear elevational view thereof; and,

FIG. 5 is a side elevational view with the opposite side view being a mirror image thereof.

1 Claim, 3 Drawing Sheets



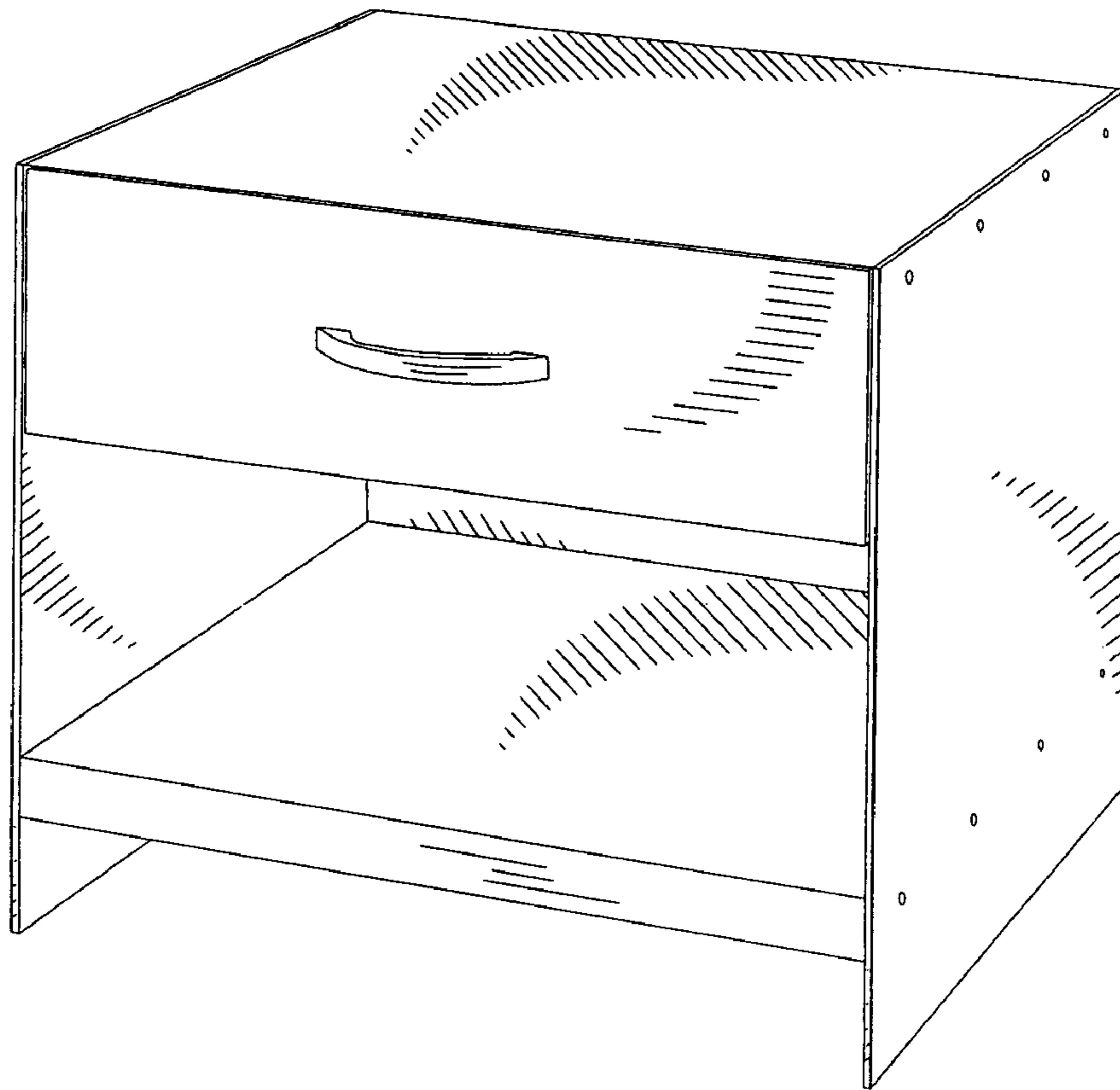


Fig. 1

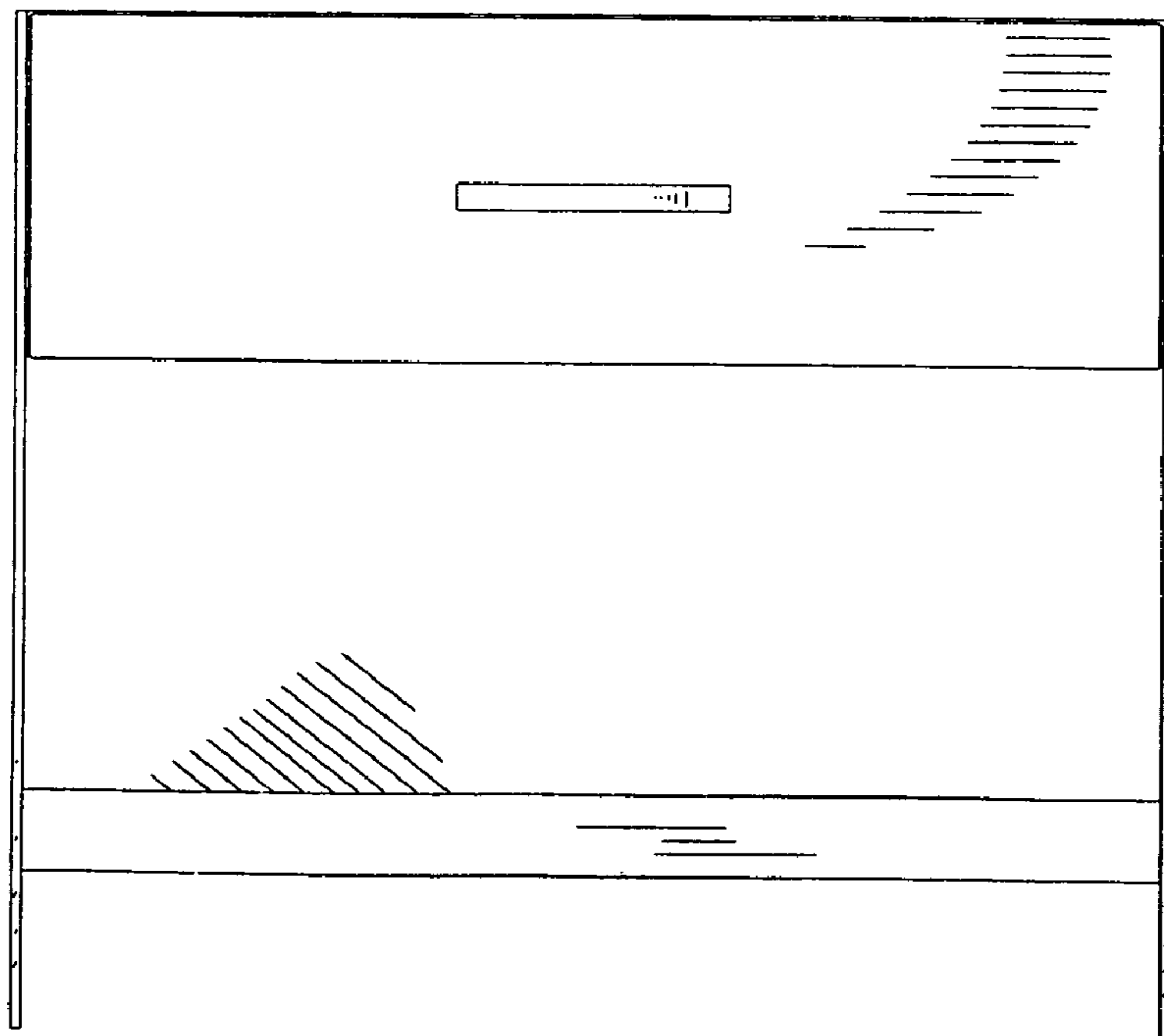


Fig. 2

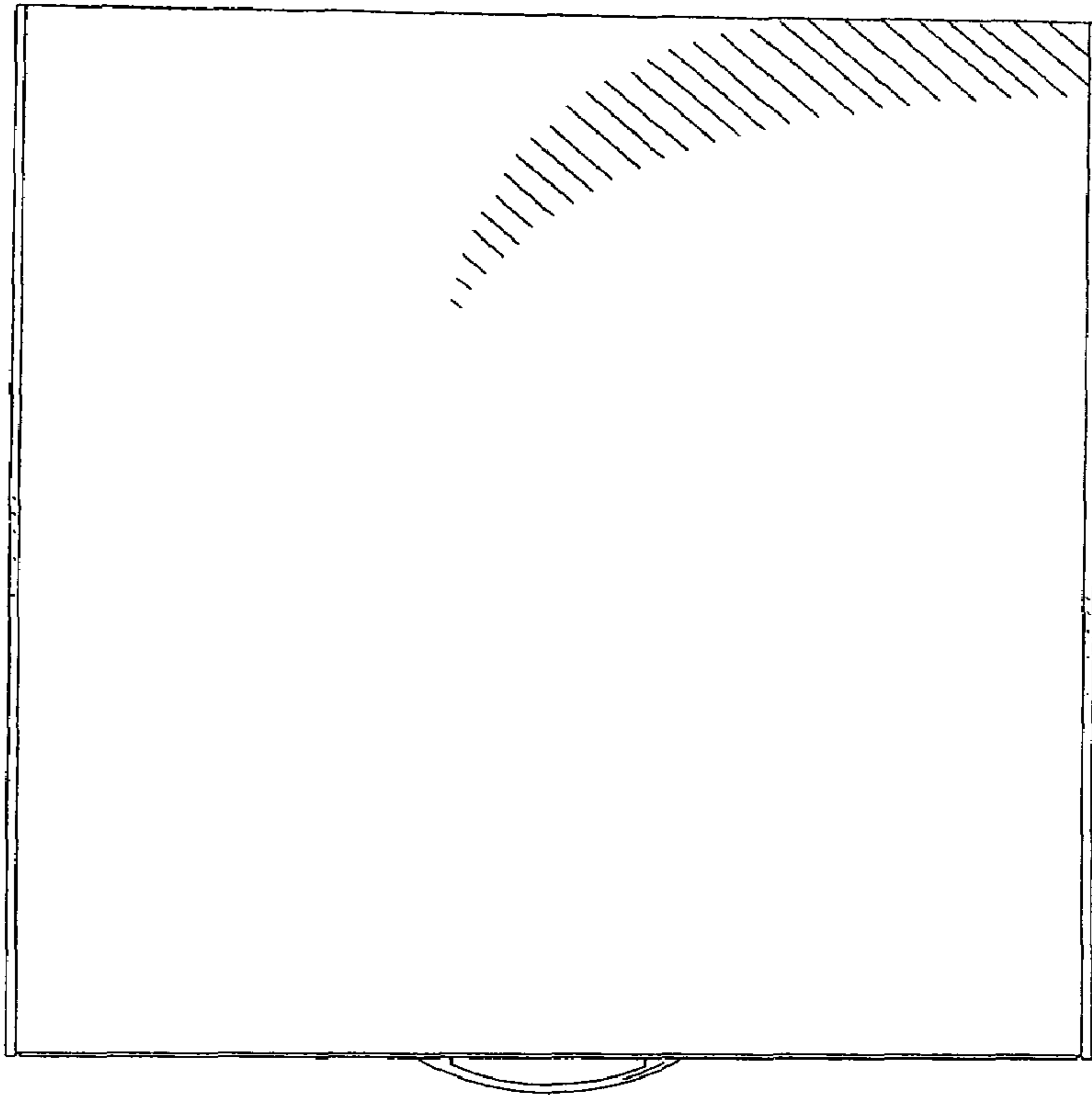


Fig. 3

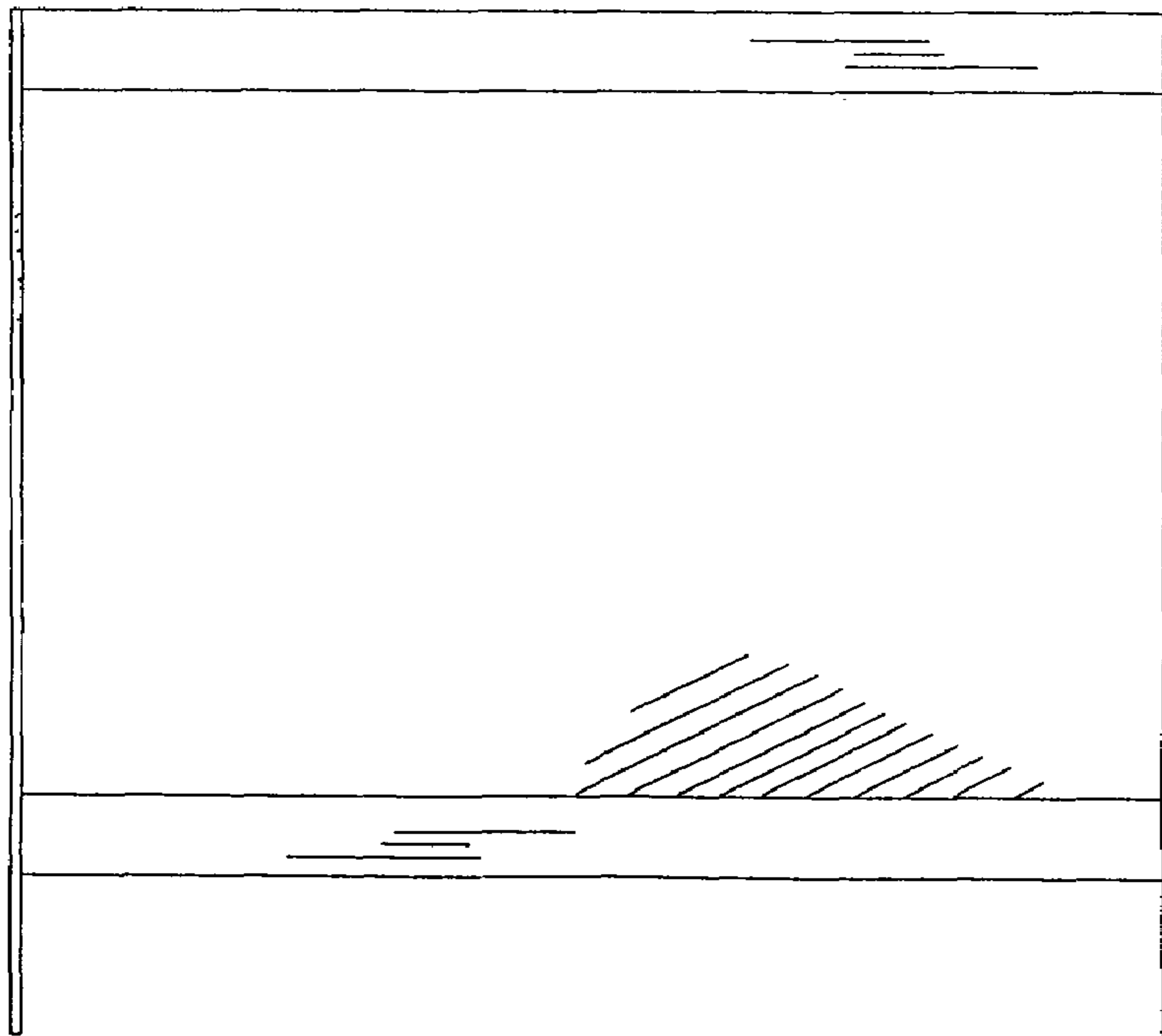


Fig. 4

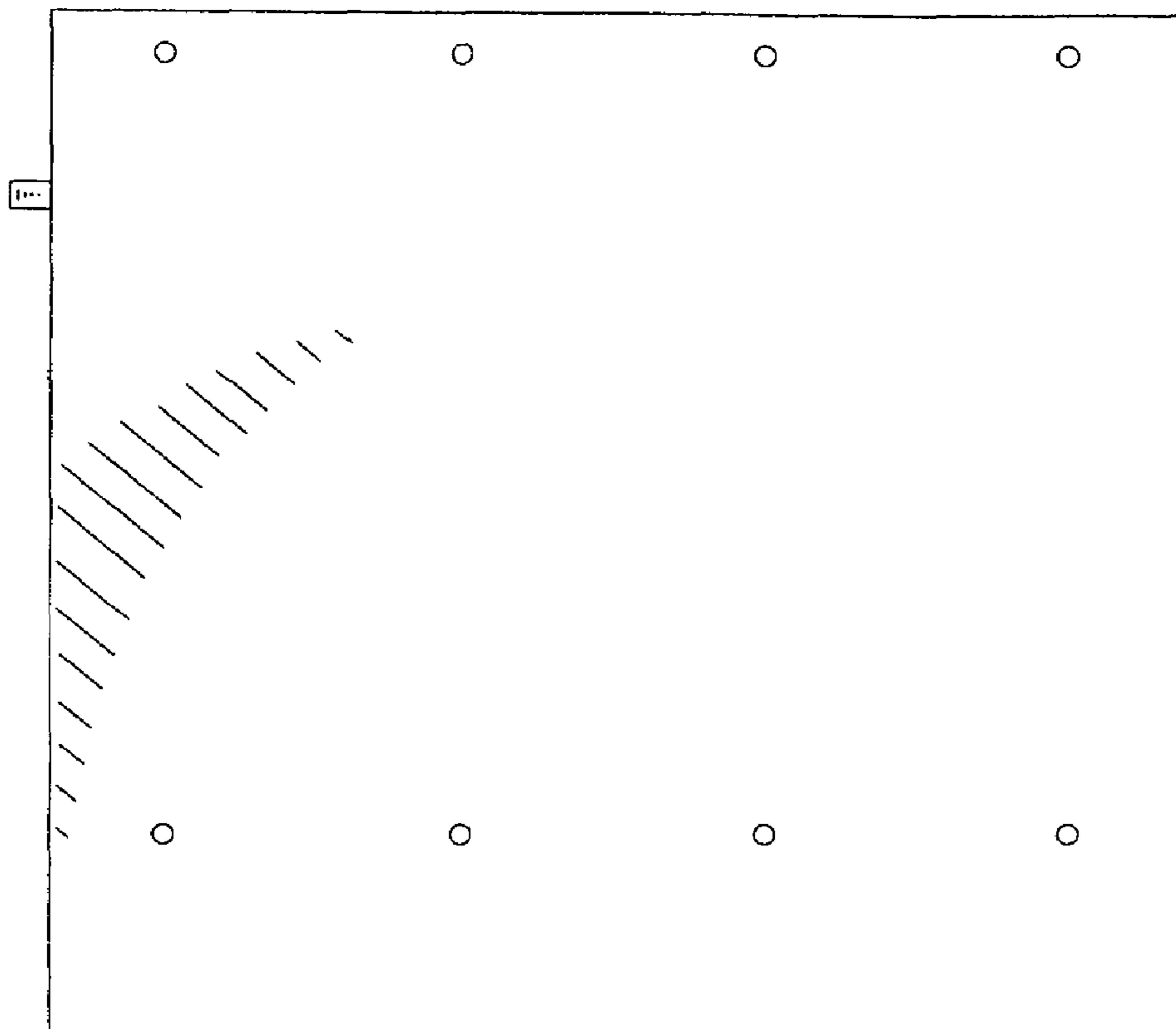


Fig. 5