



US00D604958S

(12) **United States Design Patent**
Symons

(10) **Patent No.:** **US D604,958 S**
(45) **Date of Patent:** **** Dec. 1, 2009**

(54) **DESK**

(75) Inventor: **Dominic Symons**, Pasadena, CA (US)

(73) Assignee: **Blue Lounge Design, LLC**, Pasadena, CA (US)

(**) Term: **14 Years**

(21) Appl. No.: **29/330,411**

(22) Filed: **Jan. 6, 2009**

(51) **LOC (9) Cl.** **06-03**

(52) **U.S. Cl.** **D6/430; D6/425; D6/480**

(58) **Field of Classification Search** D6/480-489,
D6/495-499, 450, 451, 429-431, 425; 108/150,
108/153.1, 155, 156, 161, 65, 77, 137, 83,
108/143, 50.01, 50.02; 248/188, 188.1, 188.8
See application file for complete search history.

(56) **References Cited**

U.S. PATENT DOCUMENTS

D132,875 S *	6/1942	Cooper	D6/430
D289,474 S *	4/1987	Underwood et al.	D6/420
D339,481 S *	9/1993	Stephens	D6/428
D521,770 S *	5/2006	Madison	D6/425

* cited by examiner

Primary Examiner—Janice E Seeger

(74) *Attorney, Agent, or Firm*—Law Office of David Hong

(57) **CLAIM**

The ornamental design for a desk, as shown and described.

DESCRIPTION

FIG. **01** is a perspective view of my new design for a desk with the sliding surface in the closed position.

FIG. **02** is a top view of my new design for a desk in FIG. **01**.

FIG. **03** is a front elevation view of my new design for a desk in FIG. **01**.

FIG. **04** is a rear elevation view of my new design for a desk in FIG. **01**.

FIG. **05** is a first side elevation view of my new design for a desk in FIG. **01**; note that the opposite or second side elevation view is the same as the first side view.

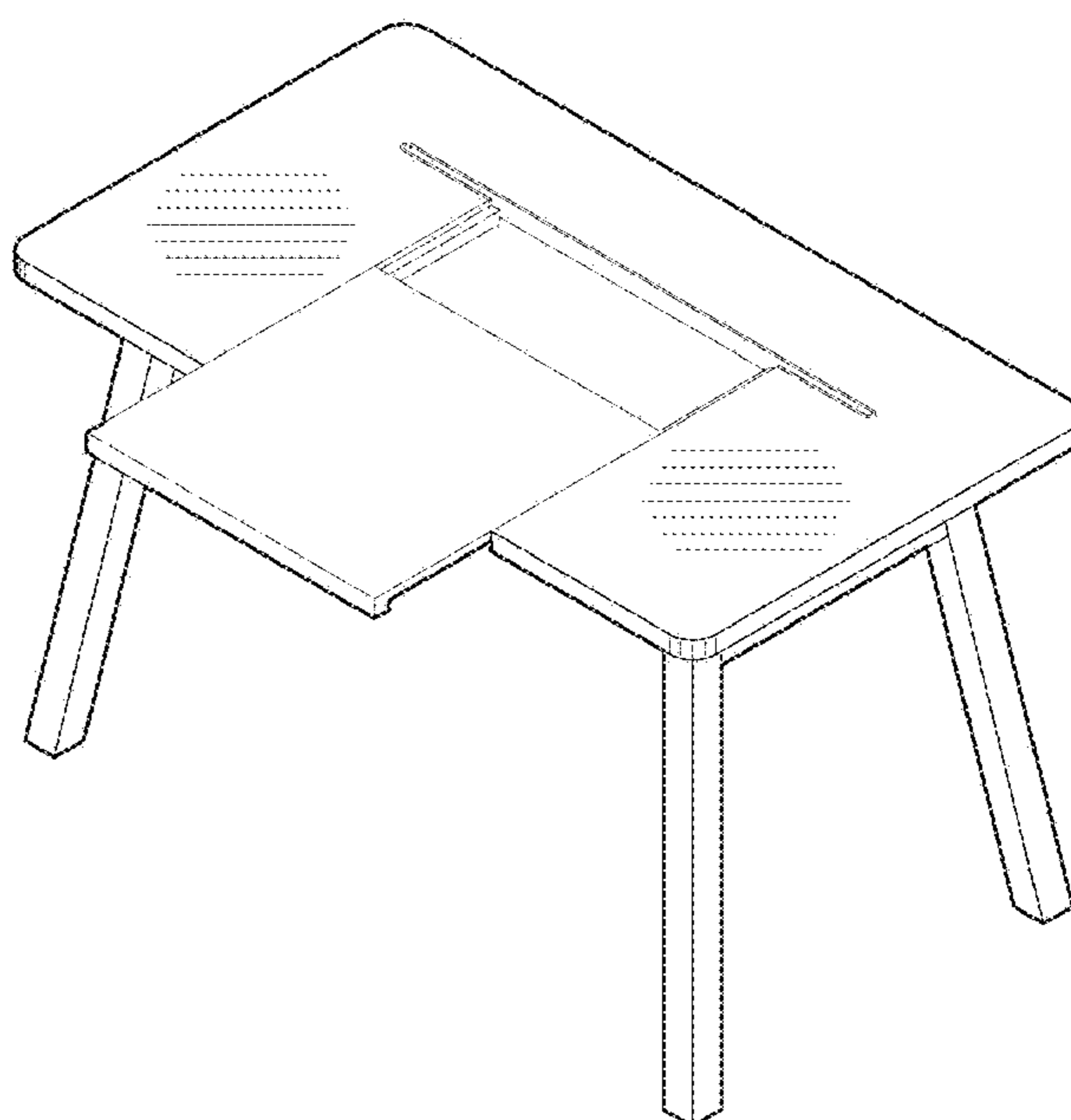
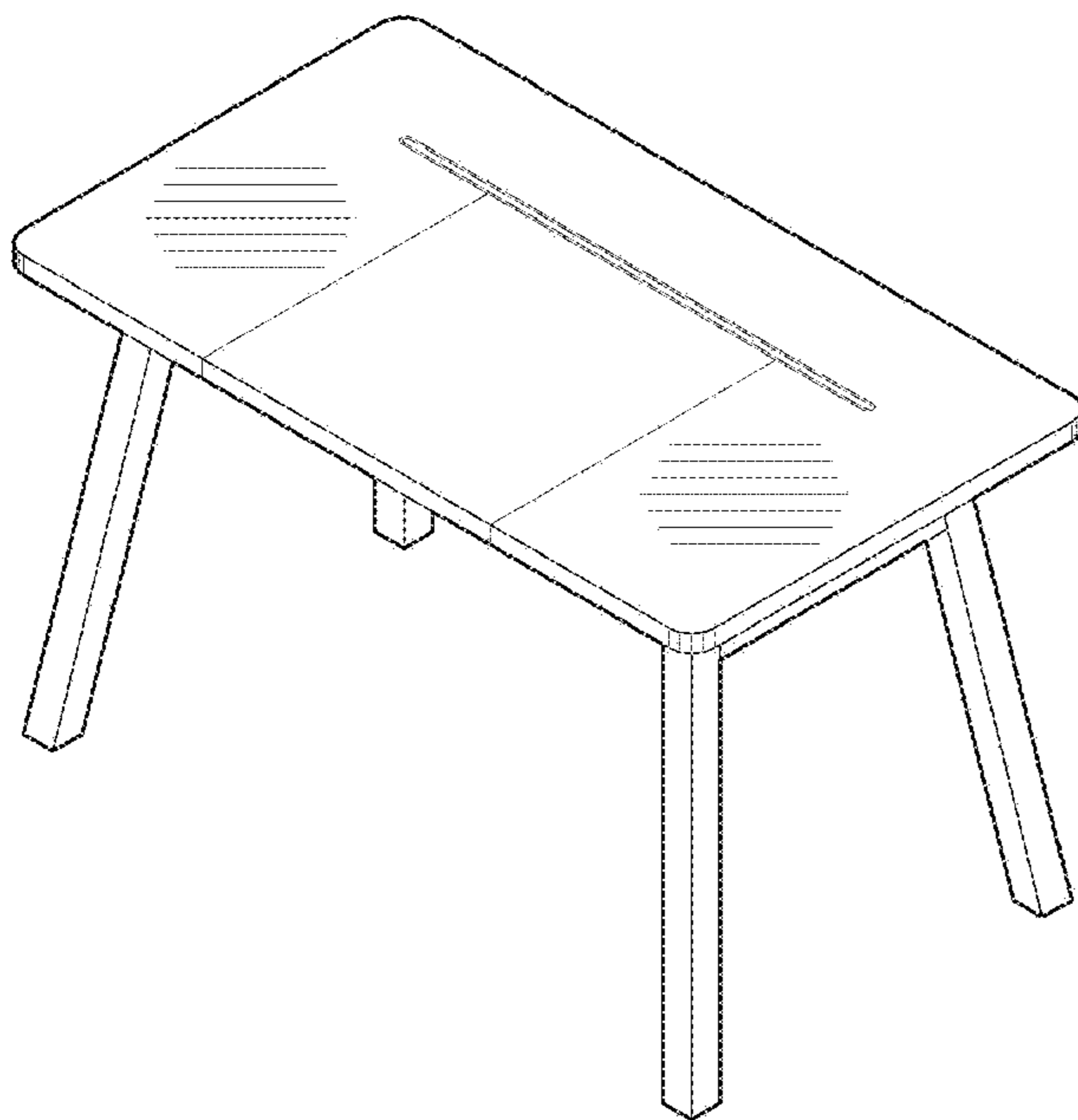
FIG. **06** is a bottom perspective view of my new design for a desk in FIG. **01**.

FIG. **07** is a perspective view of my new design for a desk with the sliding surface in the open position.

FIG. **08** is a top view of my new design for a desk in FIG. **07**; and,

FIG. **09** is a side view of my new design for a desk in FIG. **07**.

1 Claim, 9 Drawing Sheets



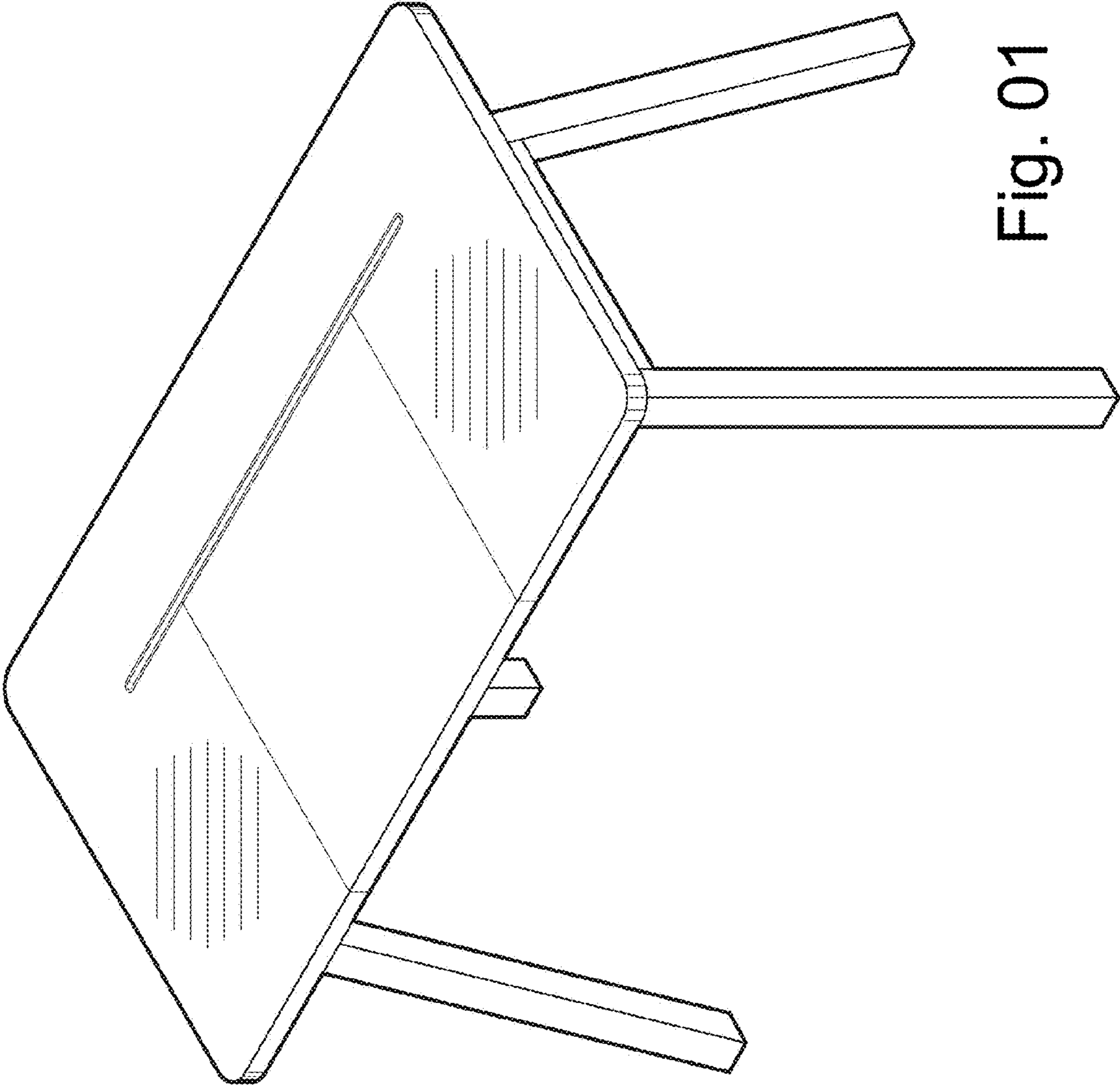


Fig. 01

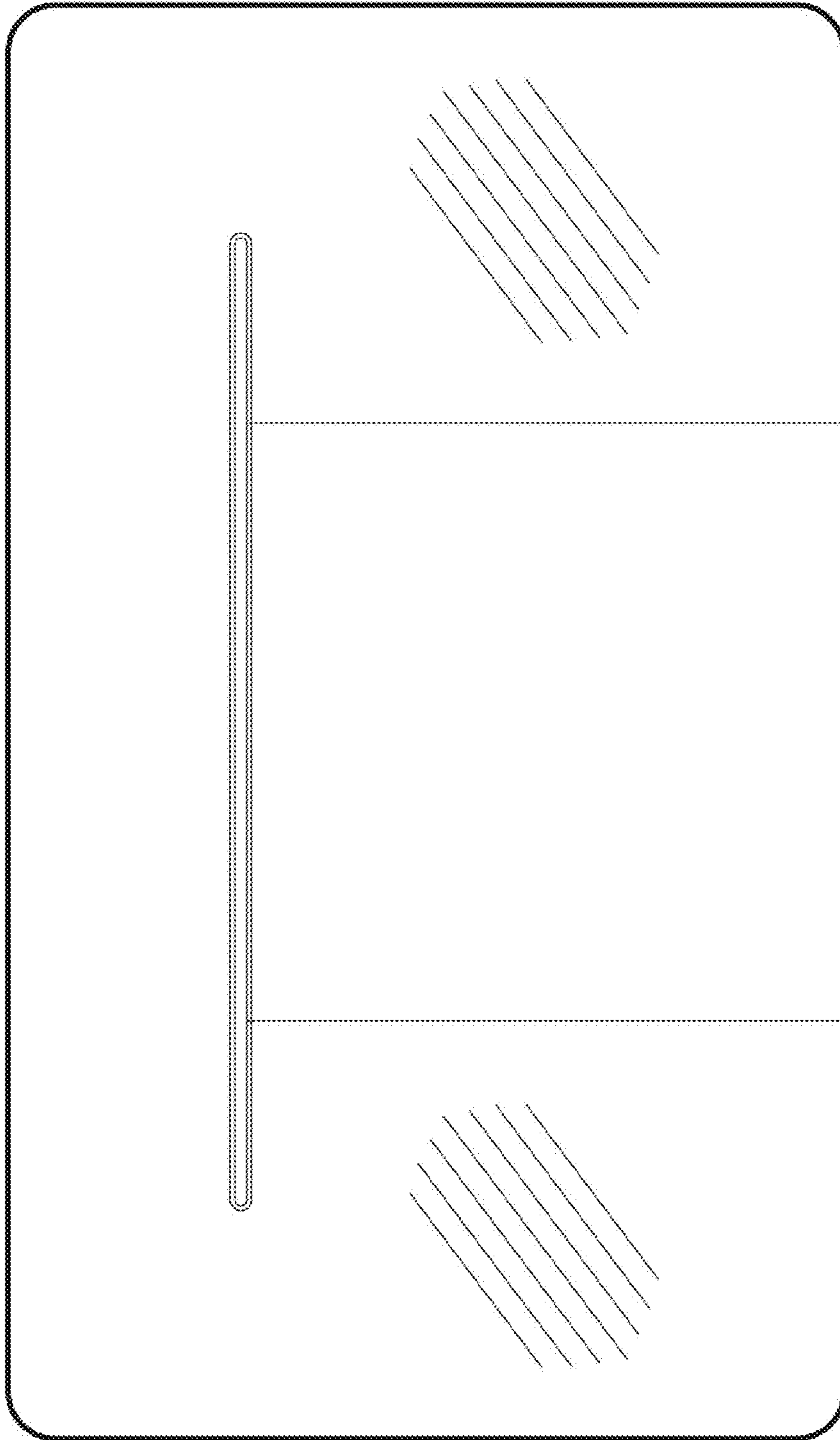


Fig. 02

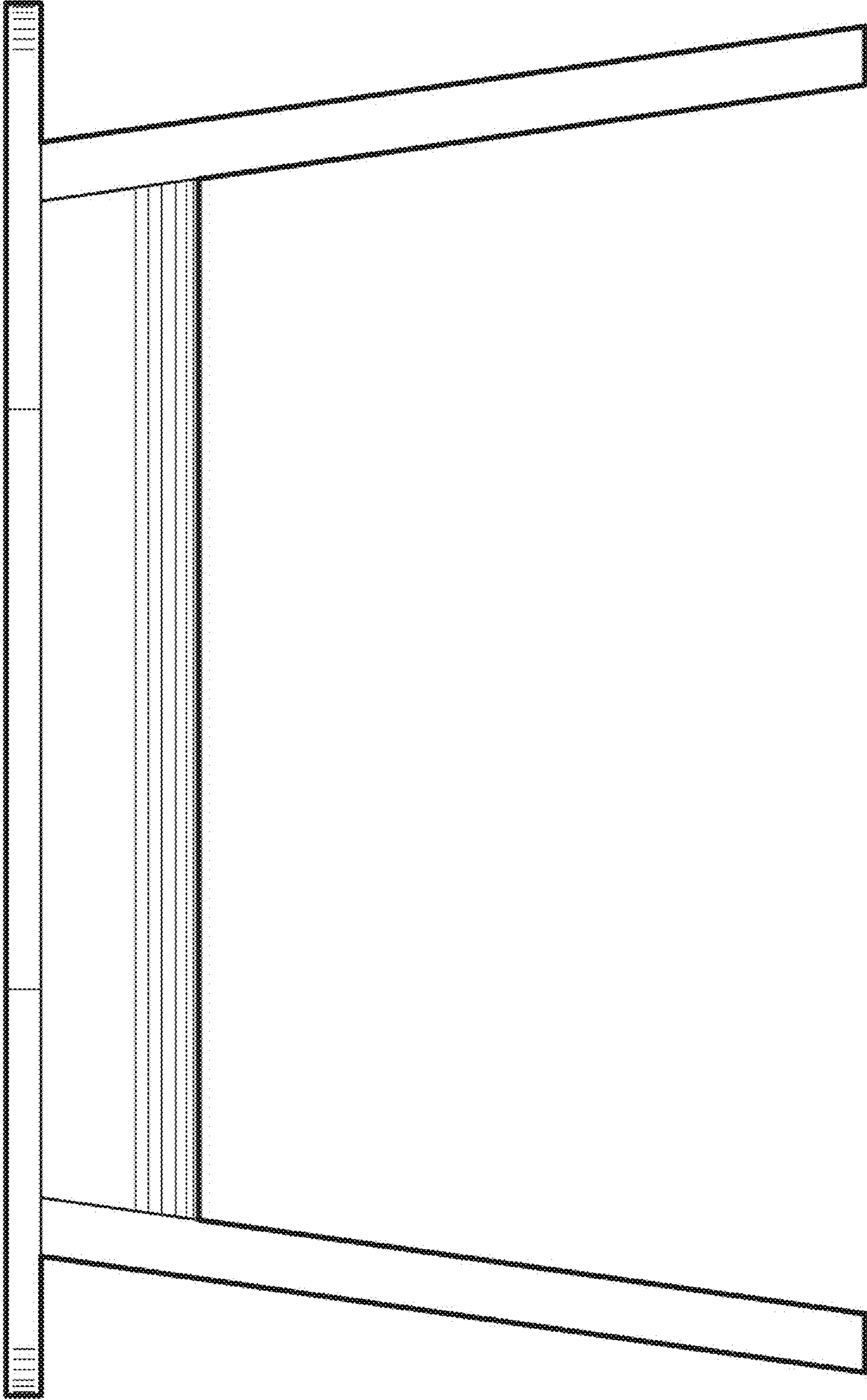


Fig. 03

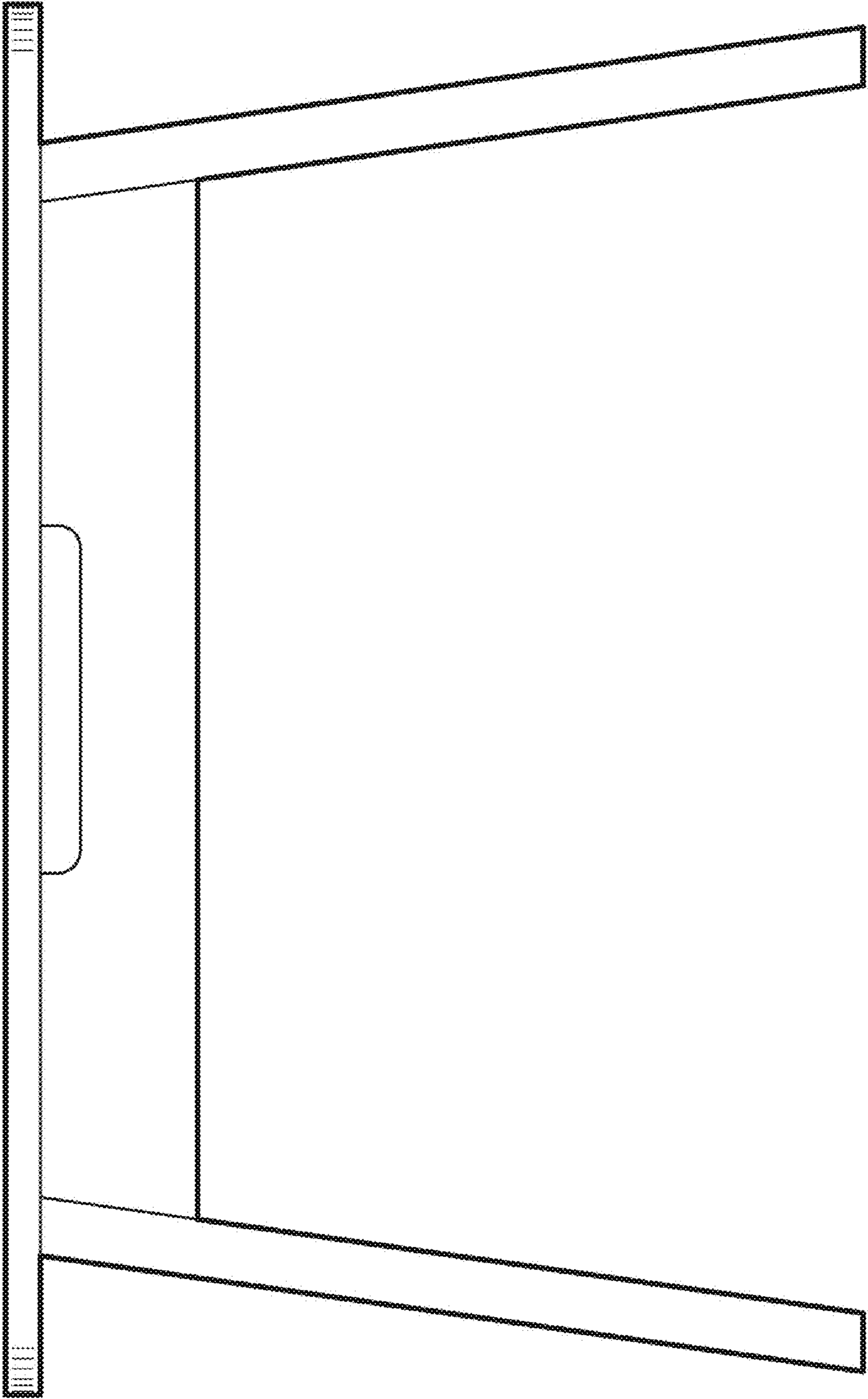


Fig. 04

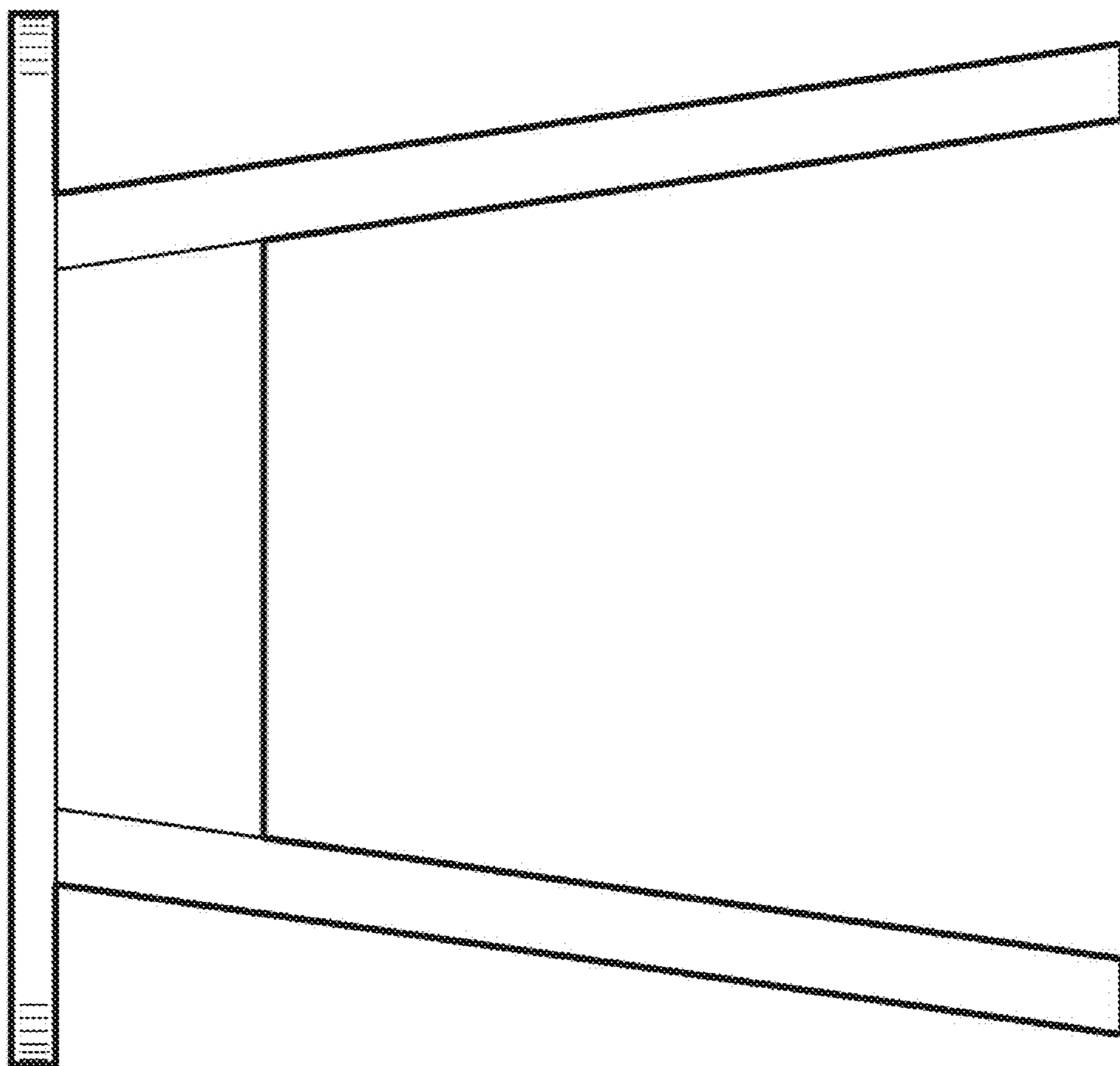


Fig. 05

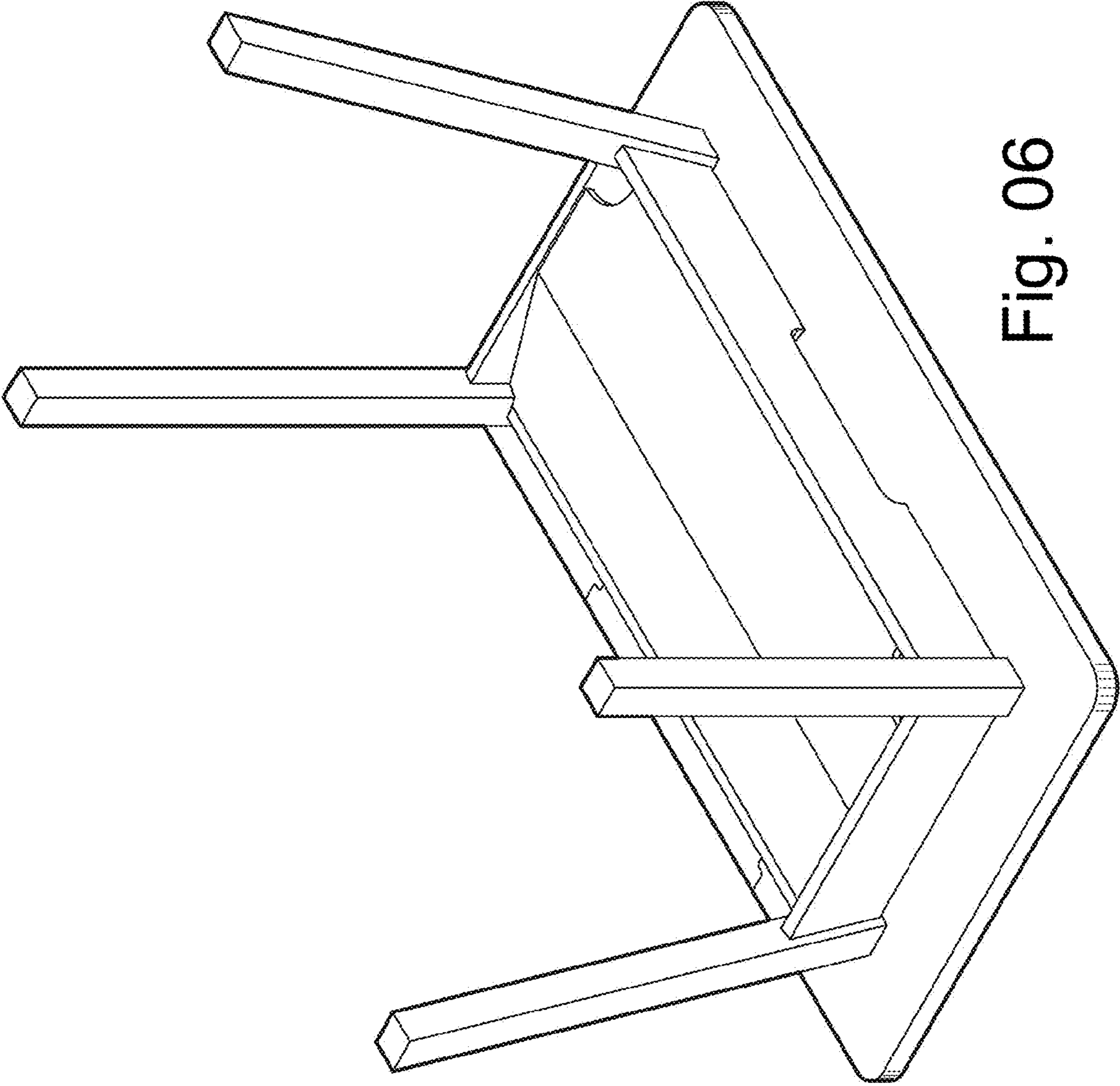
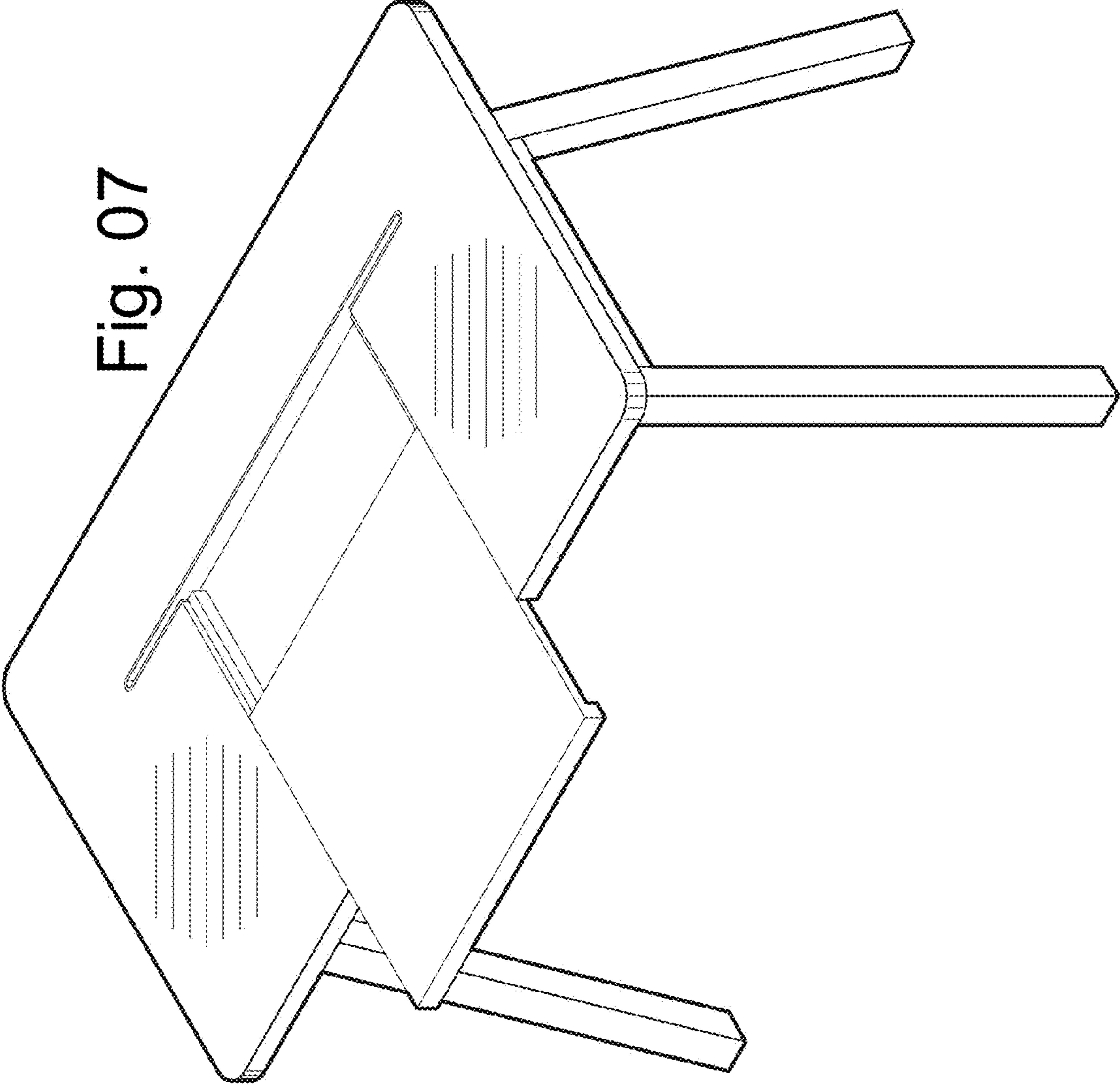


Fig. 06

Fig. 07



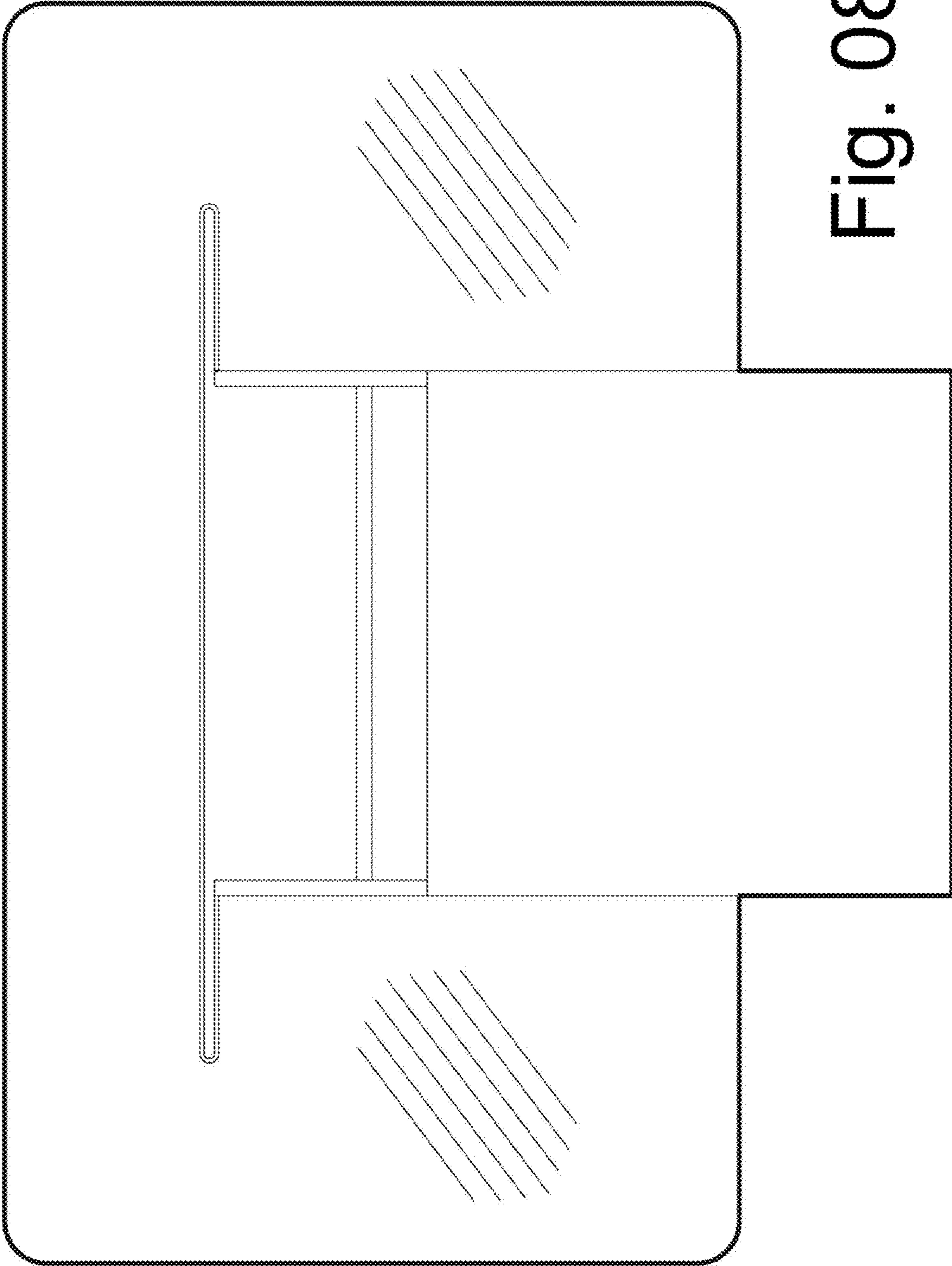


Fig. 08

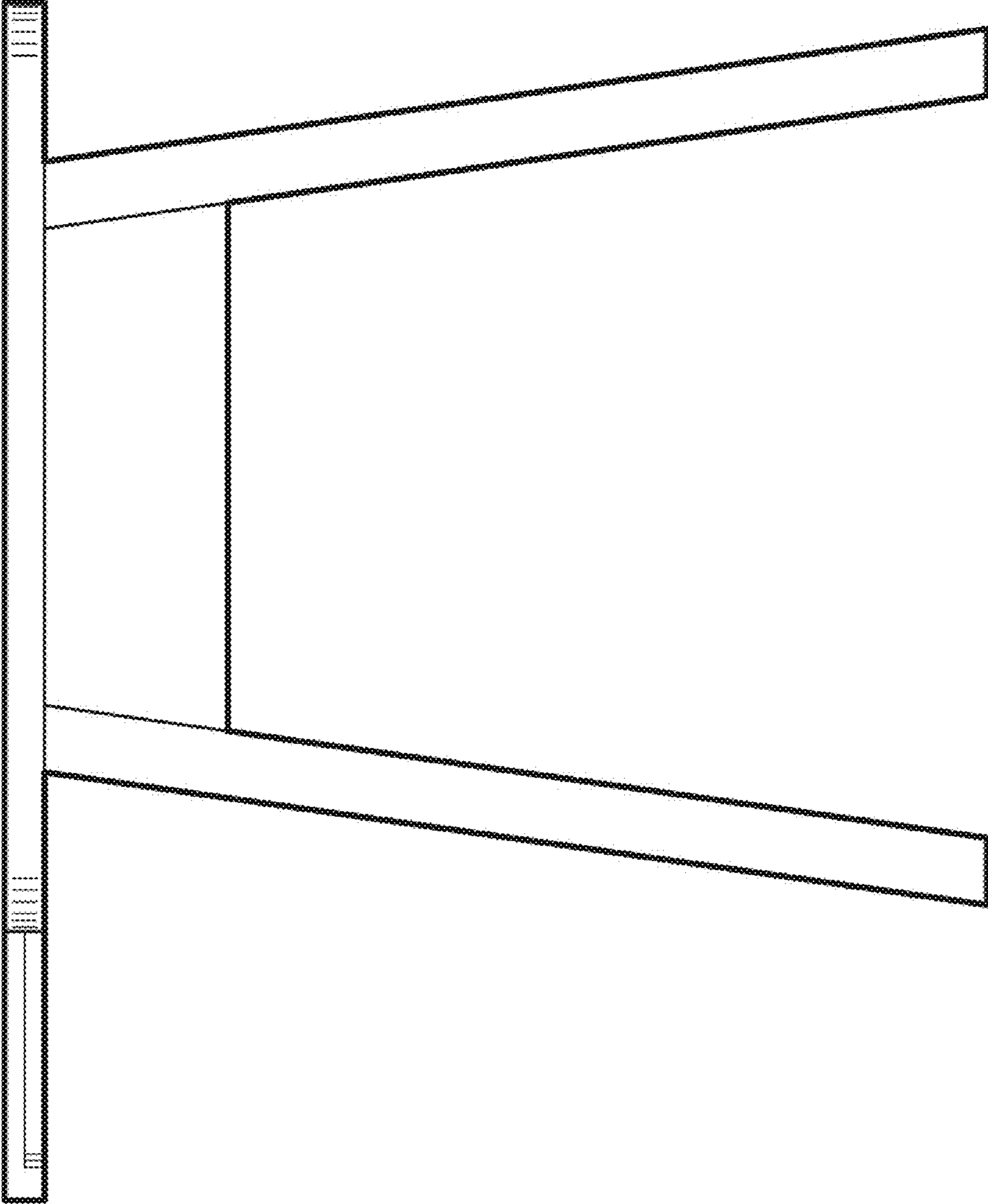


Fig. 09