



US00D604957S

(12) **United States Design Patent**
Weiss

(10) **Patent No.:** **US D604,957 S**

(45) **Date of Patent:** **** Dec. 1, 2009**

(54) **SOFA**

(75) Inventor: **Per Weiss**, Randers (DK)

(73) Assignee: **Innovation U.S.A., Inc.**, Hanover, MD (US)

(**) Term: **14 Years**

(21) Appl. No.: **29/324,648**

(22) Filed: **Sep. 17, 2008**

(30) **Foreign Application Priority Data**

Mar. 31, 2008 (CN) 2008 3 0115598

(51) **LOC (9) Cl.** **06-01**

(52) **U.S. Cl.** **D6/381**

(58) **Field of Classification Search** D6/334,
D6/349, 355, 364, 370, 374, 378, 381, 382,
D6/383, 491, 495, 500-503; 297/68, 232,
297/233, 353, 445.1, 448.1, 448.2, DIG. 7;
5/12.1, 12.2

See application file for complete search history.

(56) **References Cited**

U.S. PATENT DOCUMENTS

D169,911 S *	6/1953	Netzer	D6/381
D170,088 S *	7/1953	Hoffman	D6/381
D170,122 S *	8/1953	Jorgensen	D6/381
D175,877 S *	10/1955	Bartolucci	D6/381
2,774,977 A *	12/1956	Mintz	5/12.1
2,979,122 A *	4/1961	Knoll	297/446.1
3,751,739 A *	8/1973	Assmann	5/12.1
4,110,855 A *	9/1978	Acker	5/45
4,292,698 A *	10/1981	Acker	5/45
D269,057 S *	5/1983	Schatz et al.	D6/335
D272,968 S *	3/1984	Fairaizen	D6/381
D273,254 S *	4/1984	Fairaizen	D6/335
5,137,332 A *	8/1992	Gualtierotti et al.	297/440.15

Primary Examiner—Sandra Snapp

(74) *Attorney, Agent, or Firm*—Miles & Stockbridge P.C.;
James T. Carmichael, Esq.; Michael A. Minter, Esq.

(57) **CLAIM**

The ornamental design for a sofa, as shown and described.

DESCRIPTION

FIG. 1 is a front left perspective view of the sofa shown in a fully reclined position;

FIG. 2 is a front right perspective view thereof;

FIG. 3 is a front view thereof;

FIG. 4 is a rear view thereof;

FIG. 5 is a top plan view thereof;

FIG. 6 is a bottom plan view thereof;

FIG. 7 is a left side view thereof;

FIG. 8 is a right side view thereof;

FIG. 9 is a front left perspective view thereof in a fully inclined position;

FIG. 10 is a front right perspective view thereof in the fully inclined position;

FIG. 11 is a front view thereof in the fully inclined position;

FIG. 12 is a rear view thereof in the fully inclined position;

FIG. 13 is a top plan view thereof in the fully inclined position;

FIG. 14 is a bottom plan view thereof in the fully inclined position;

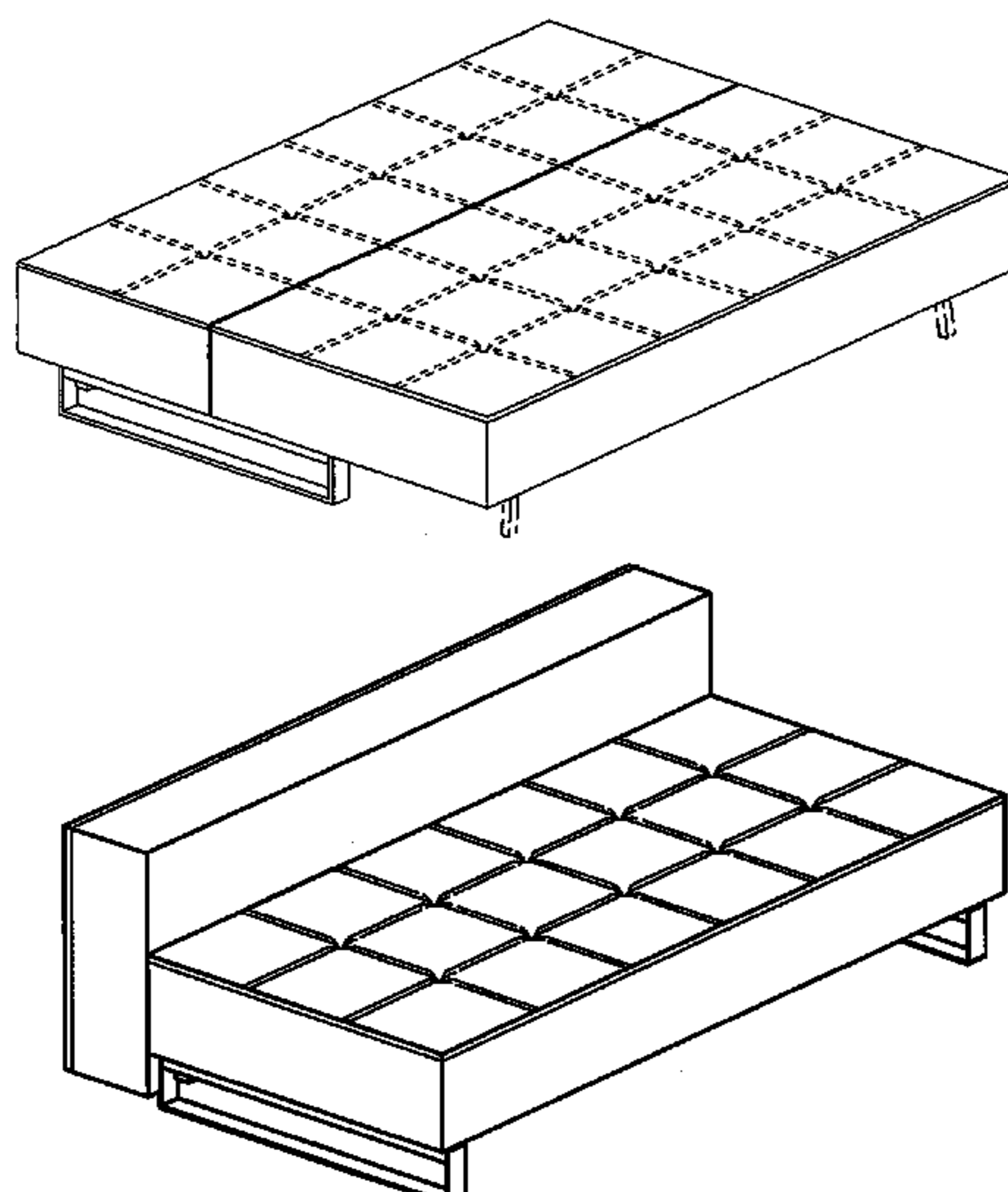
FIG. 15 is a left side view thereof in the fully inclined position; and,

FIG. 16 is a right side view thereof in the fully inclined position.

The dashed lines shown on the article represent topstitching. The dot-dashed lines shown in the drawings are for illustrative purposes only and form no part of the claimed design.

(Continued)

1 Claim, 9 Drawing Sheets



US D604,957 S

Page 2

U.S. PATENT DOCUMENTS

D443,989 S *	6/2001	Gomez	D6/335	D569,123 S *	5/2008	Roos et al.	D6/381
D444,305 S *	7/2001	Mourgue	D6/335	D590,175 S *	4/2009	Natuzzi	D6/381
D446,962 S *	8/2001	Mourgue	D6/381	D591,071 S *	4/2009	Weiss	D6/381
D566,980 S *	4/2008	Mourgue	D6/381	D591,970 S *	5/2009	Weiss	D6/381

* cited by examiner

FIG. 1

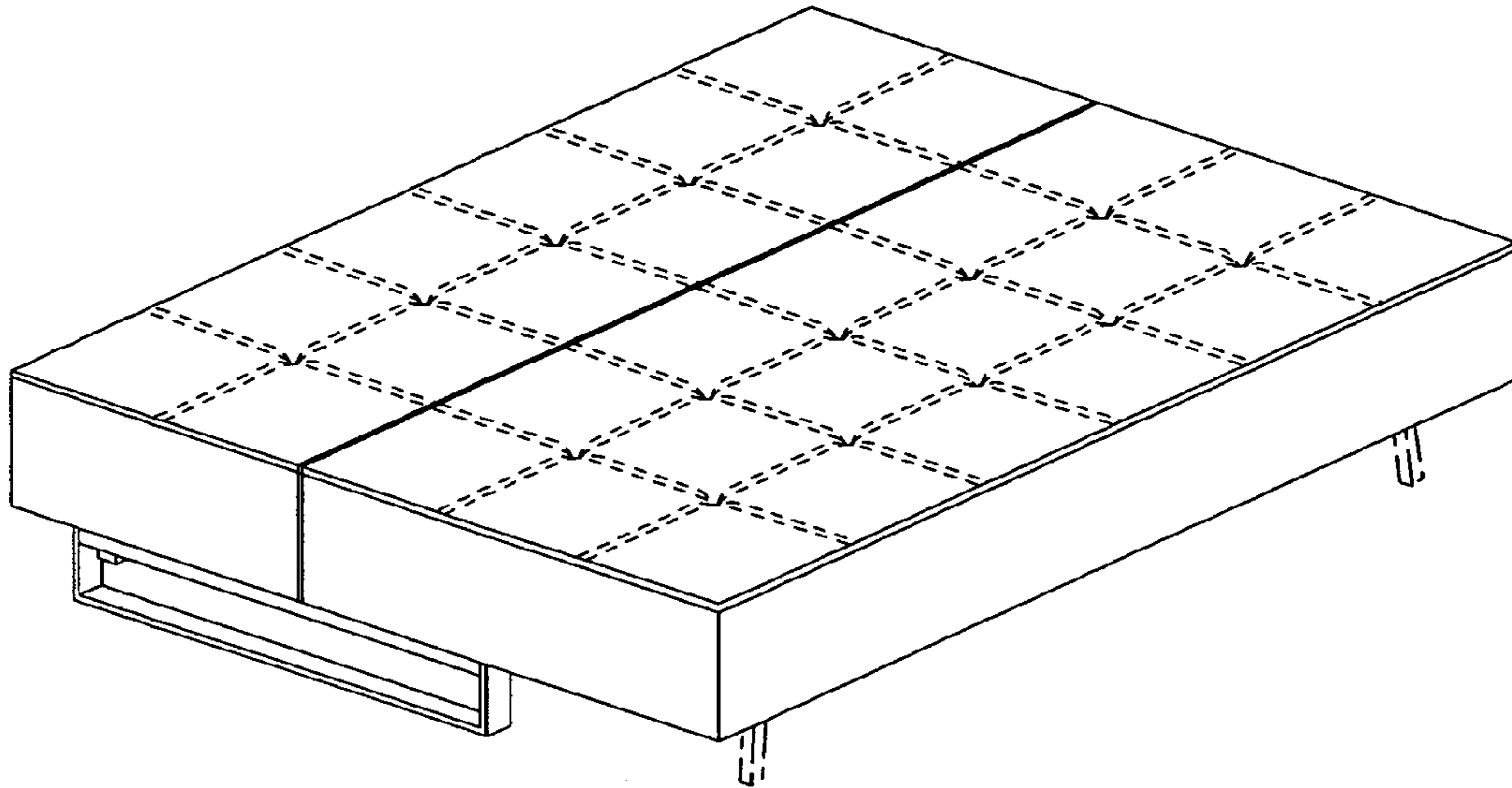


FIG. 2

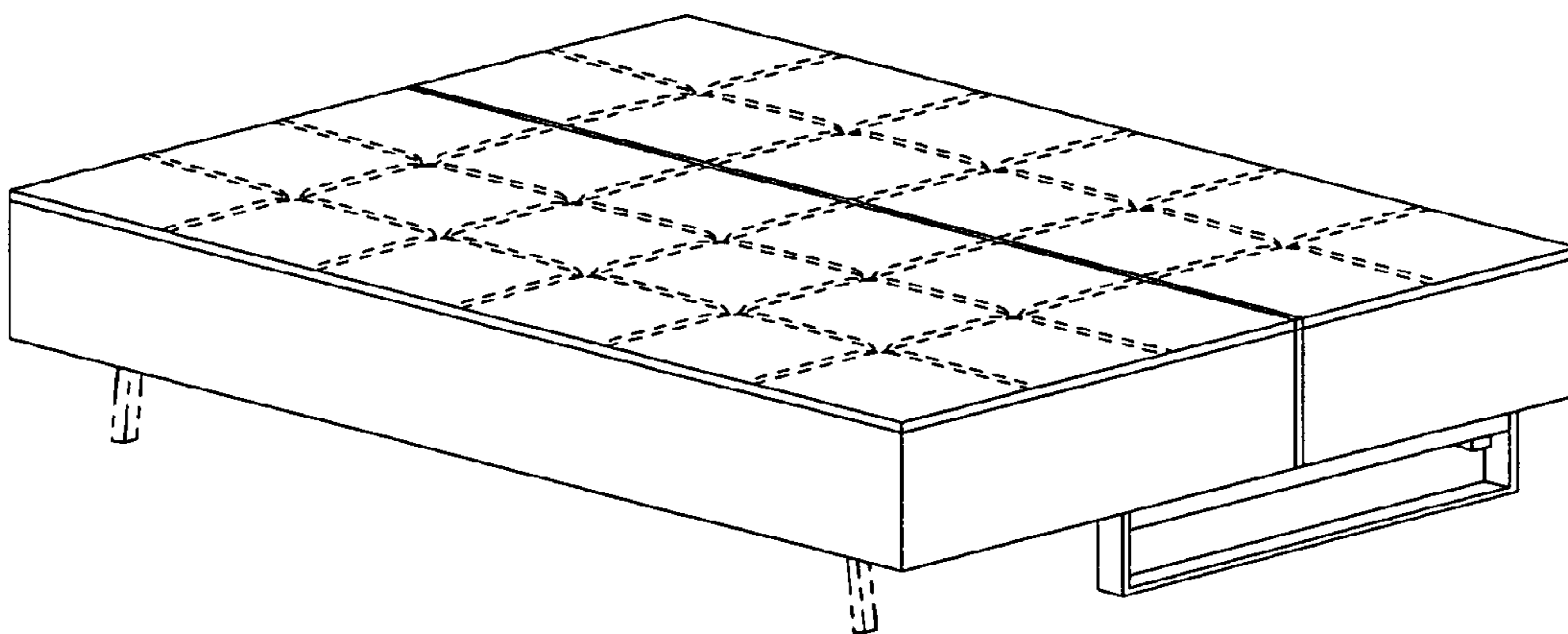


FIG. 3

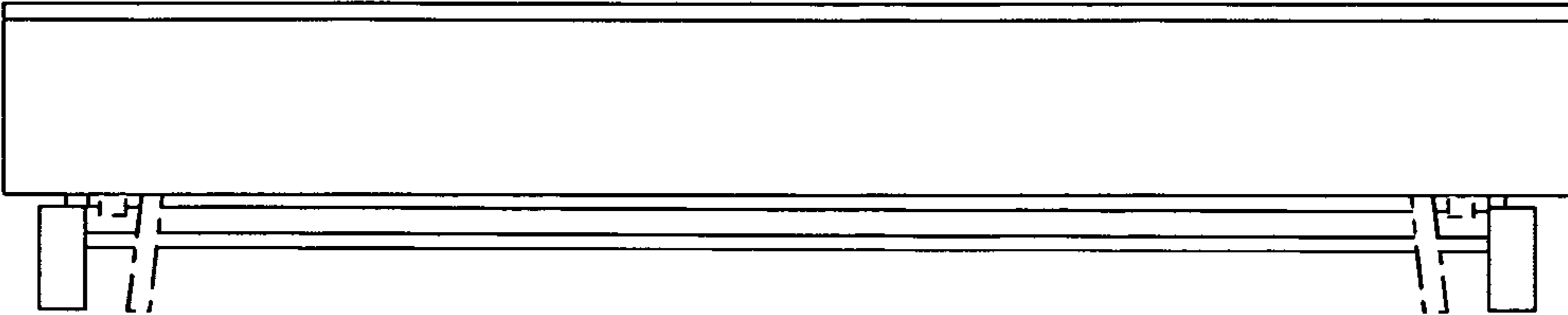


FIG. 4

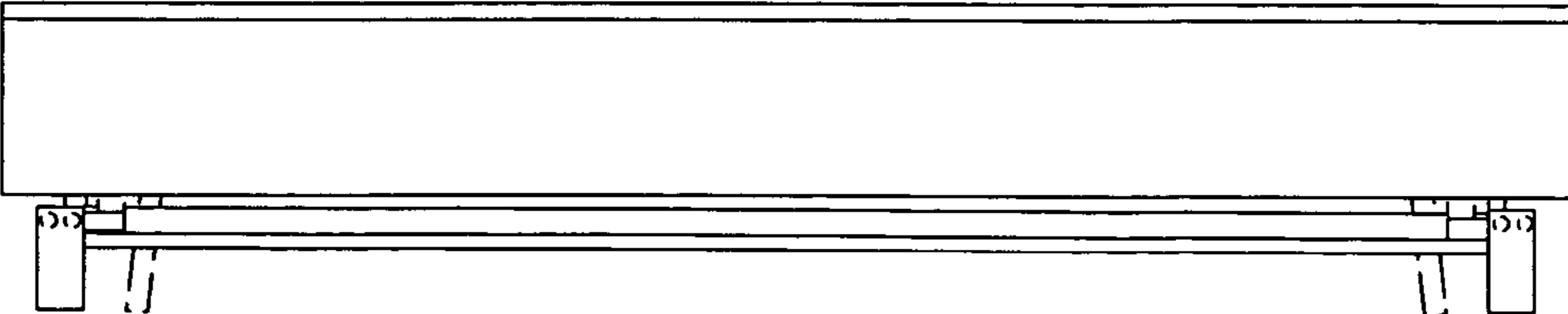


FIG. 5

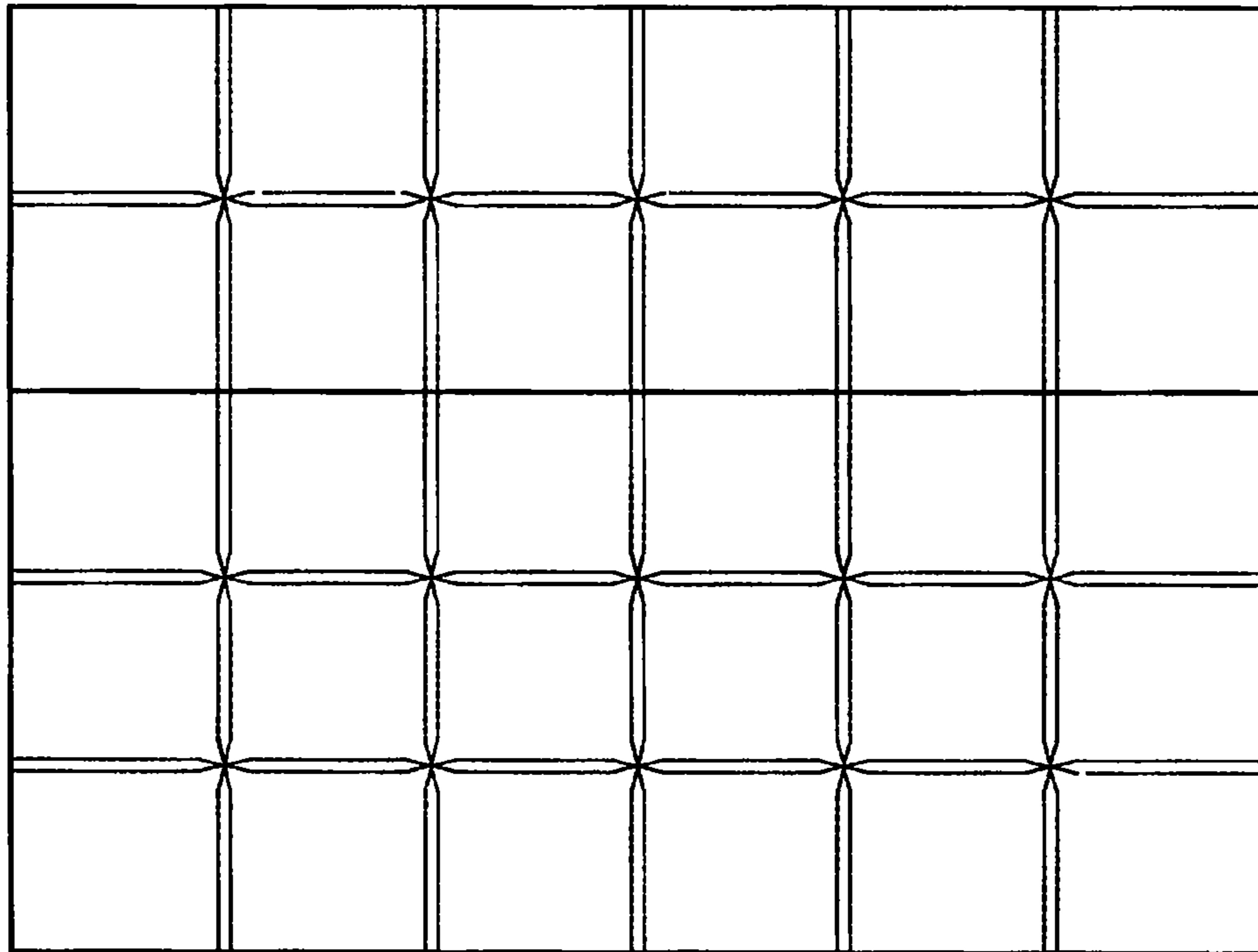


FIG. 6

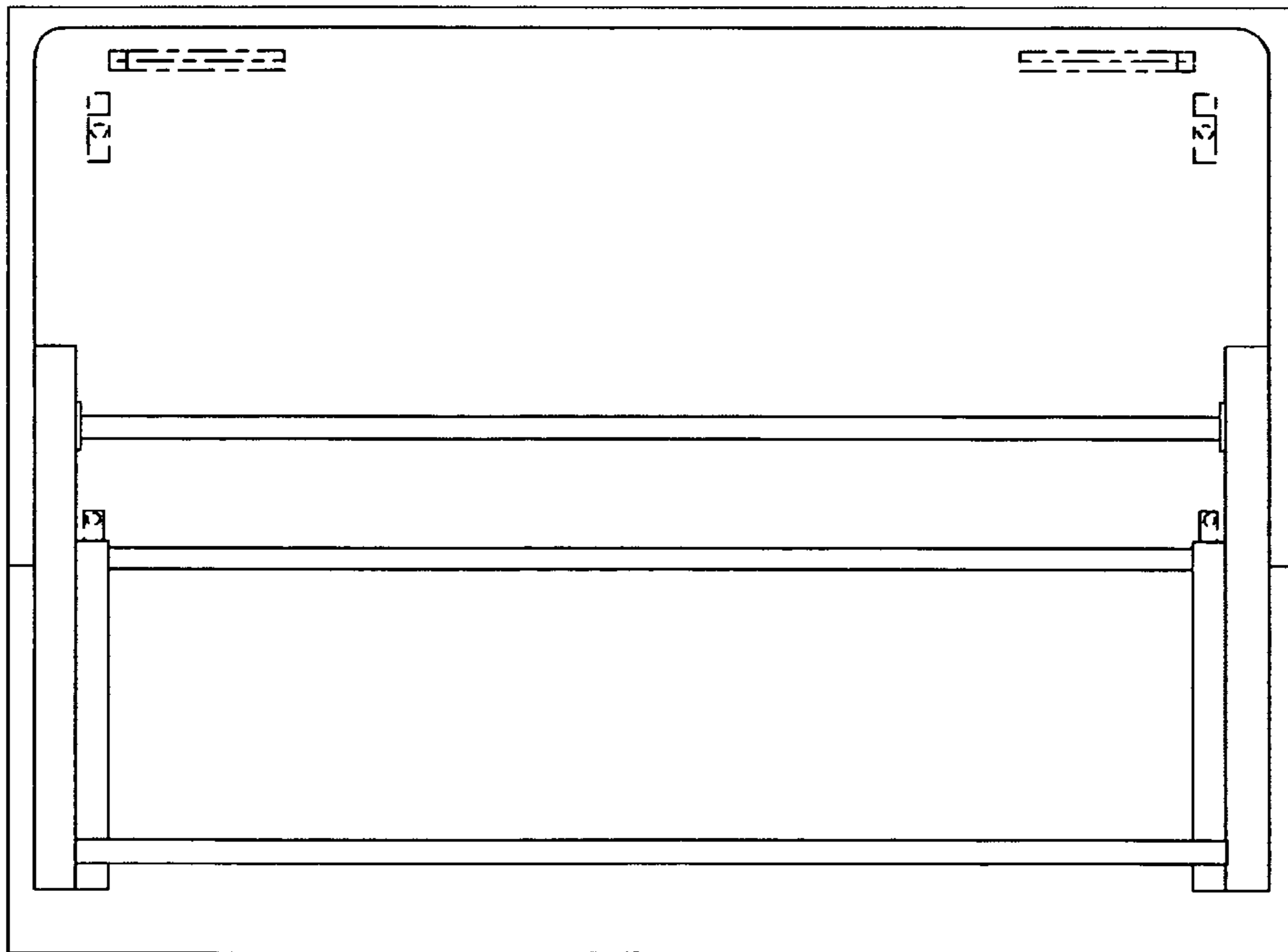


FIG. 7

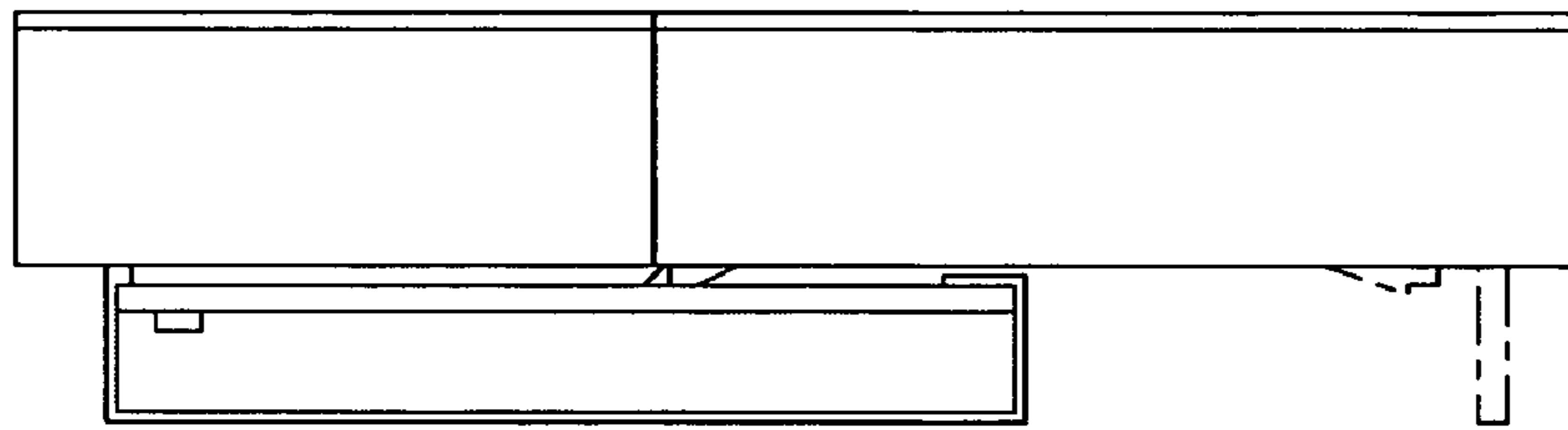


FIG. 8

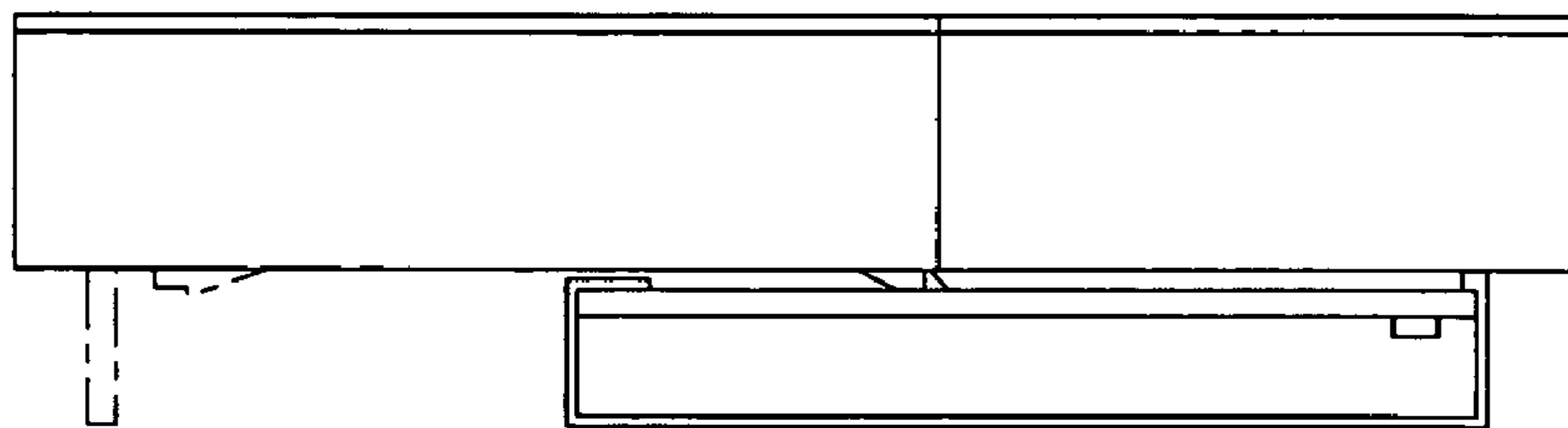


FIG. 9

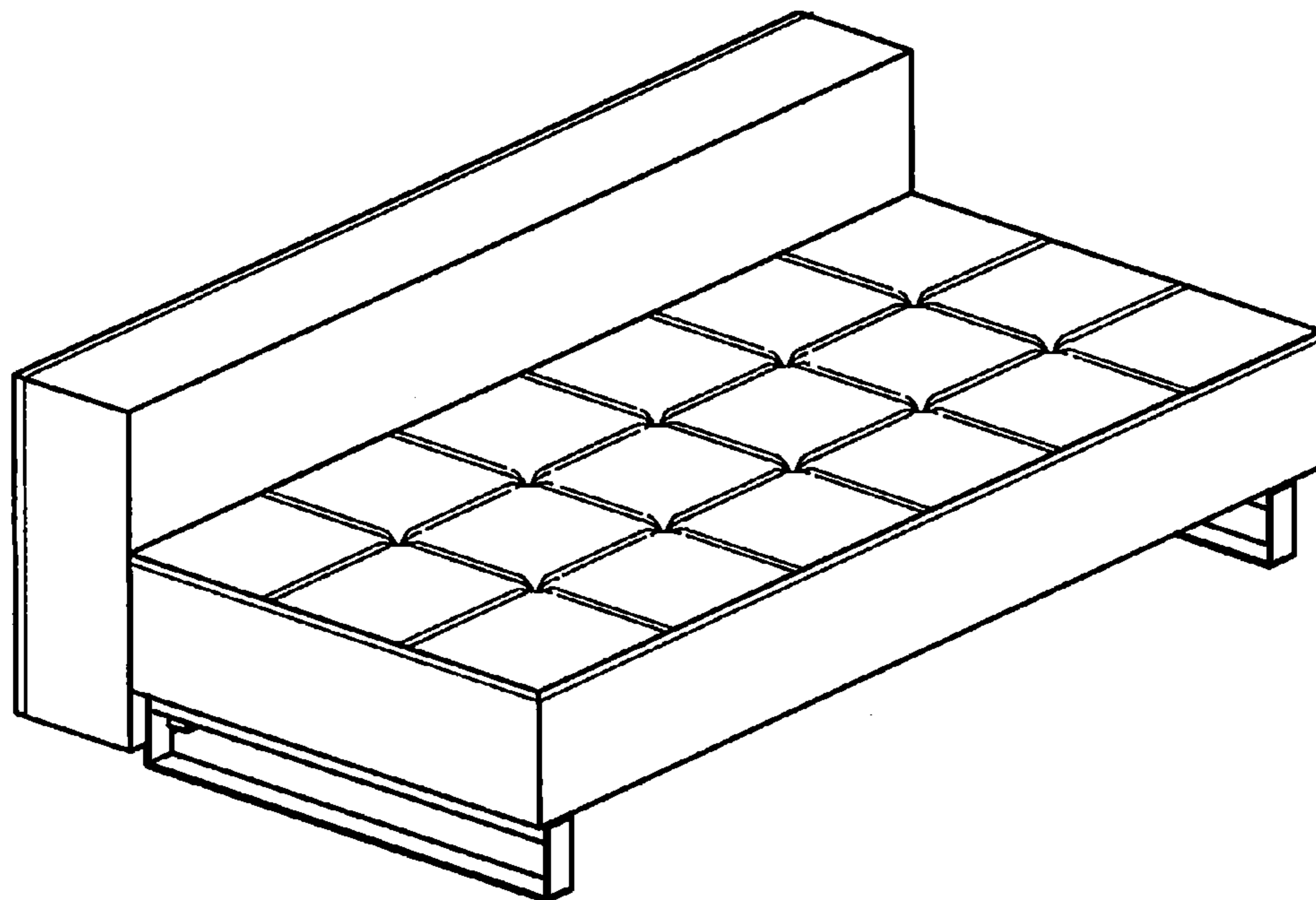


FIG. 10

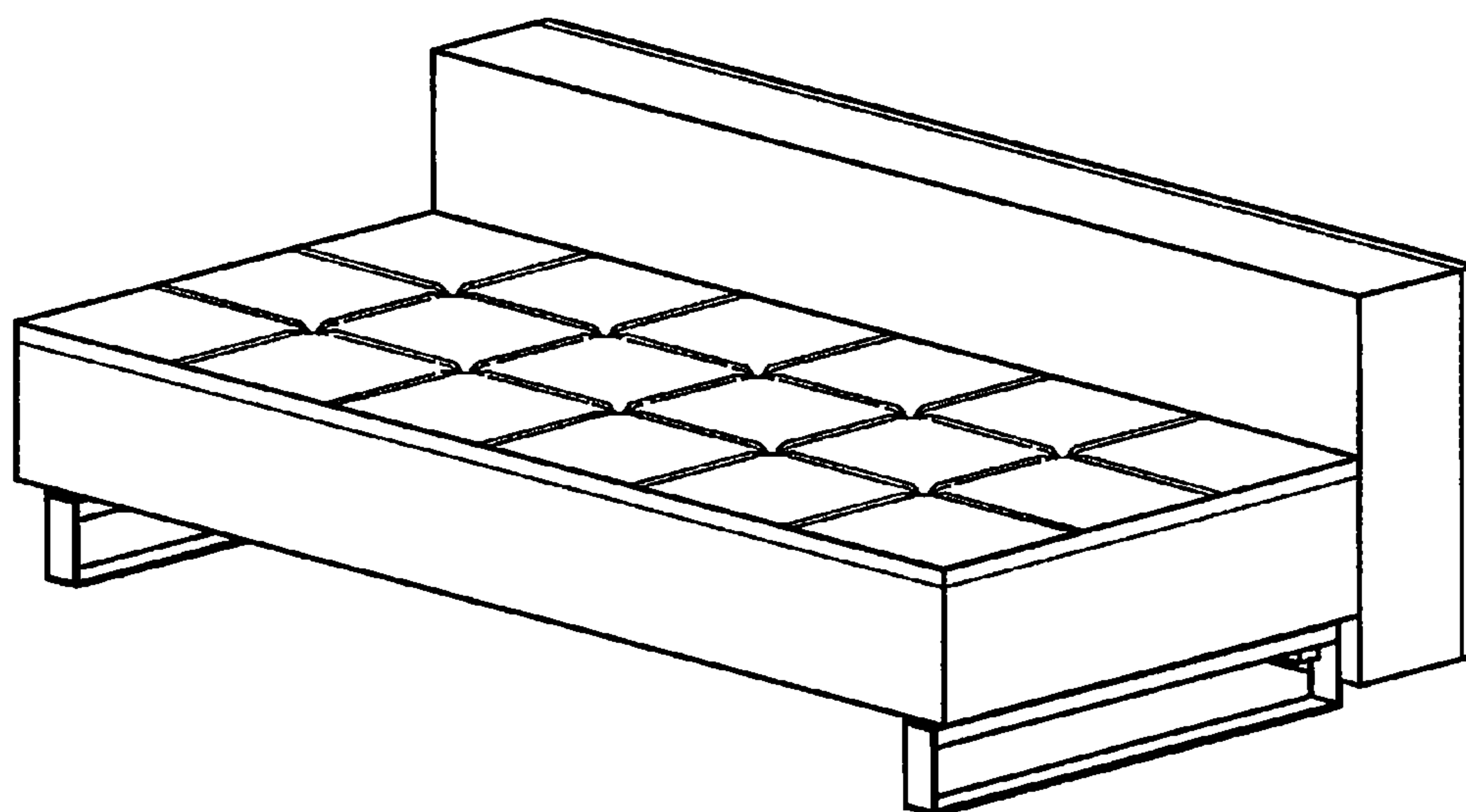


FIG. 11

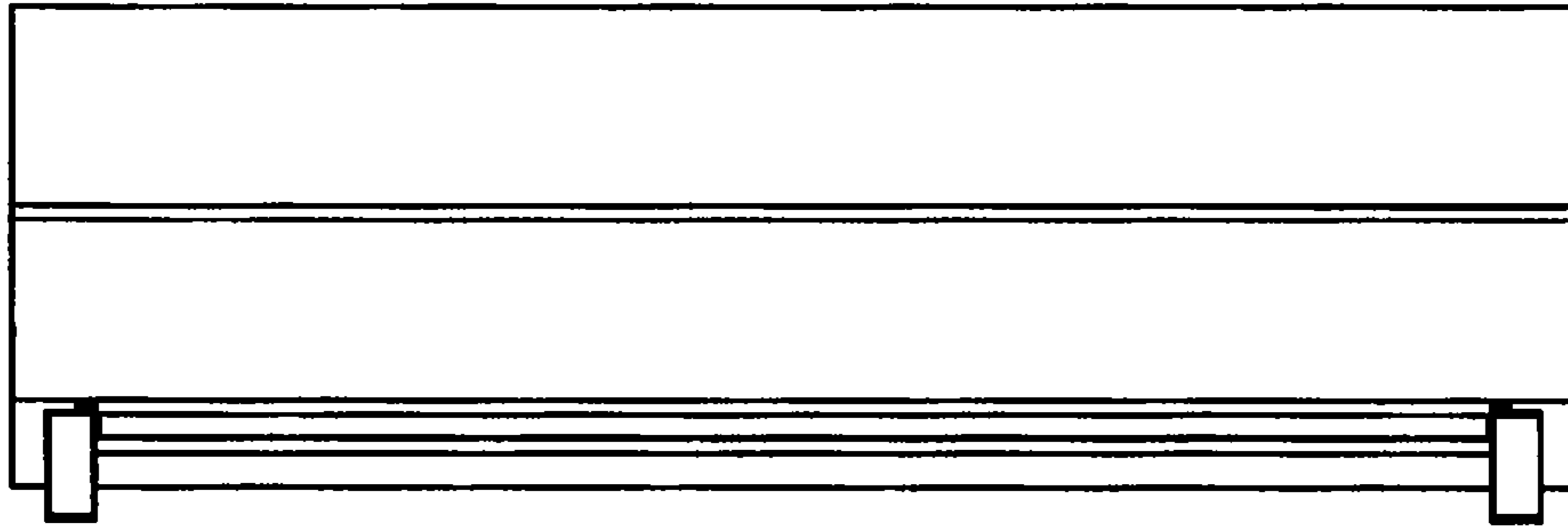


FIG. 12

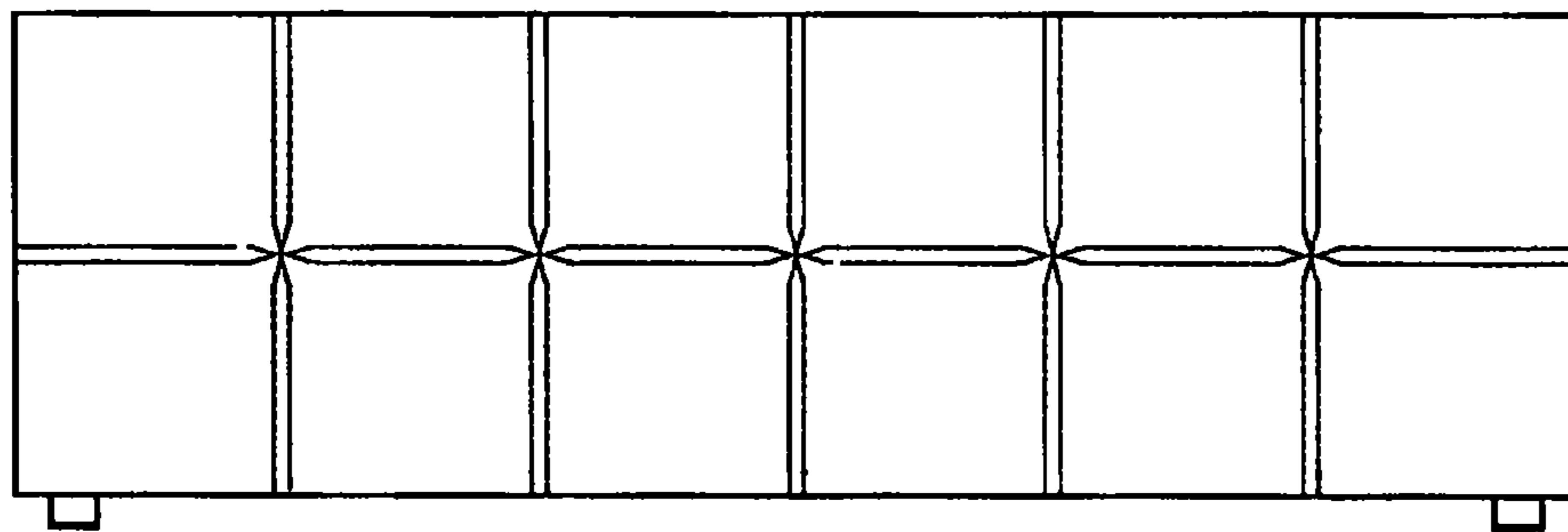


FIG. 13

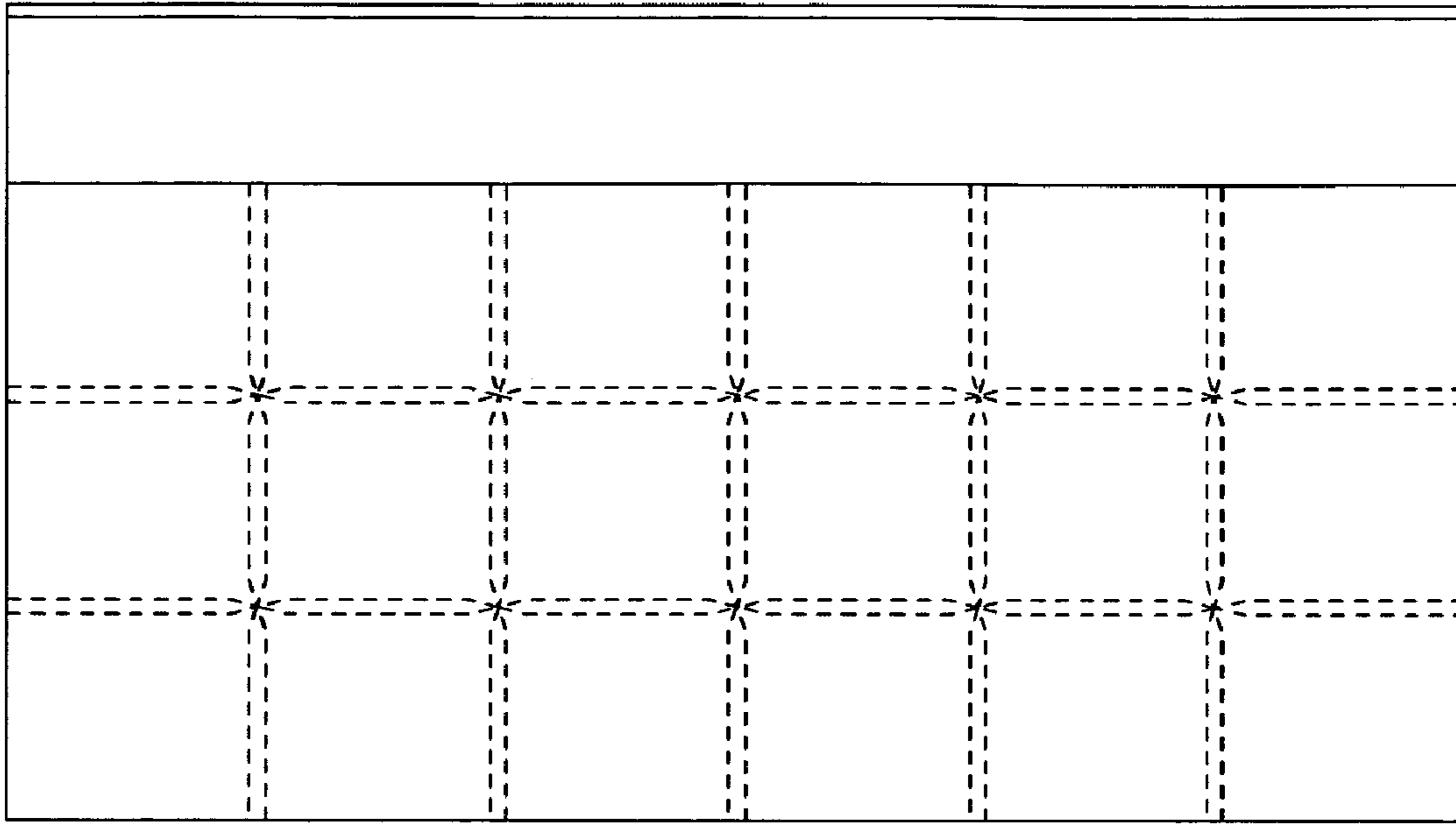


FIG. 14

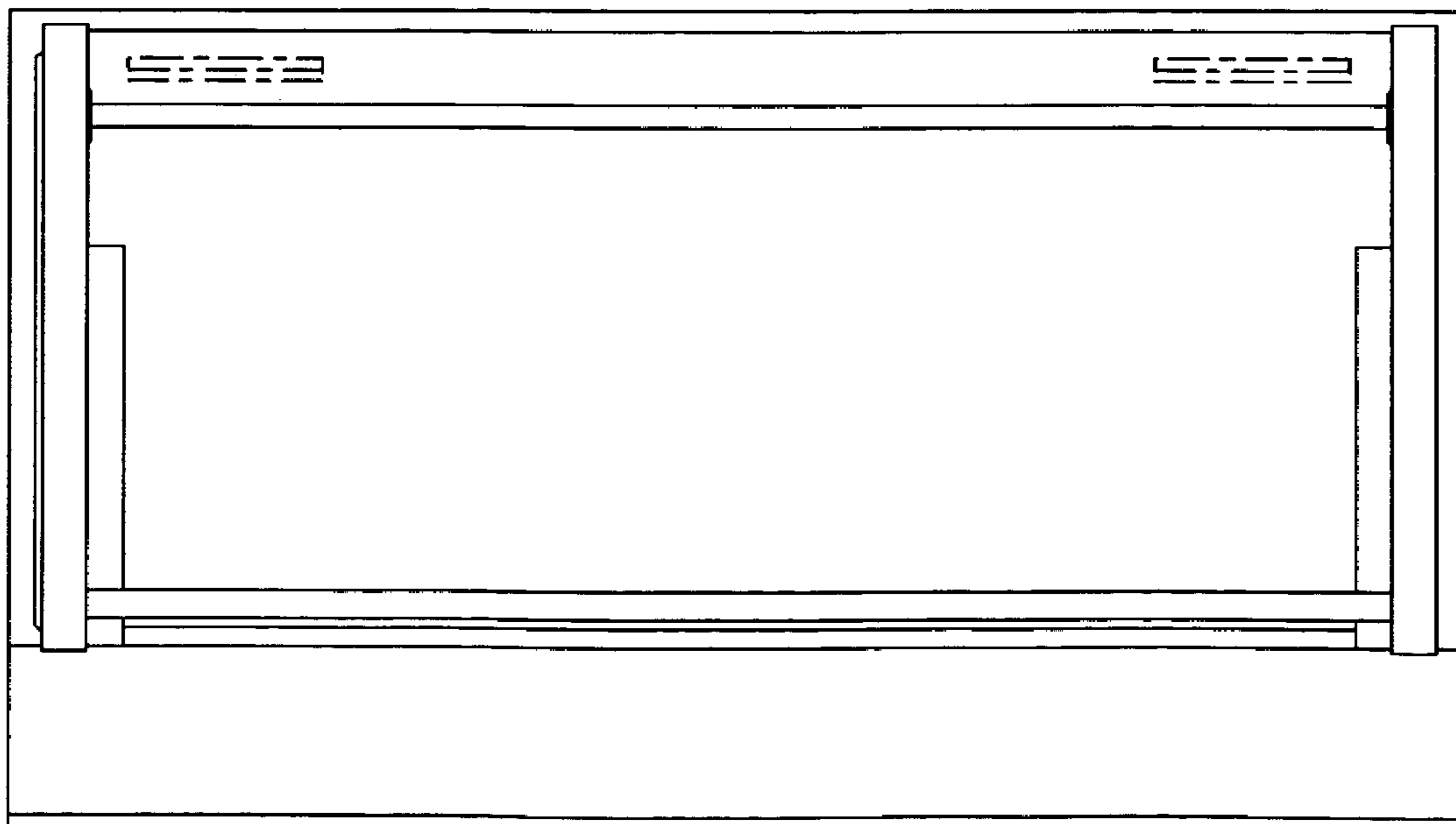


FIG. 15

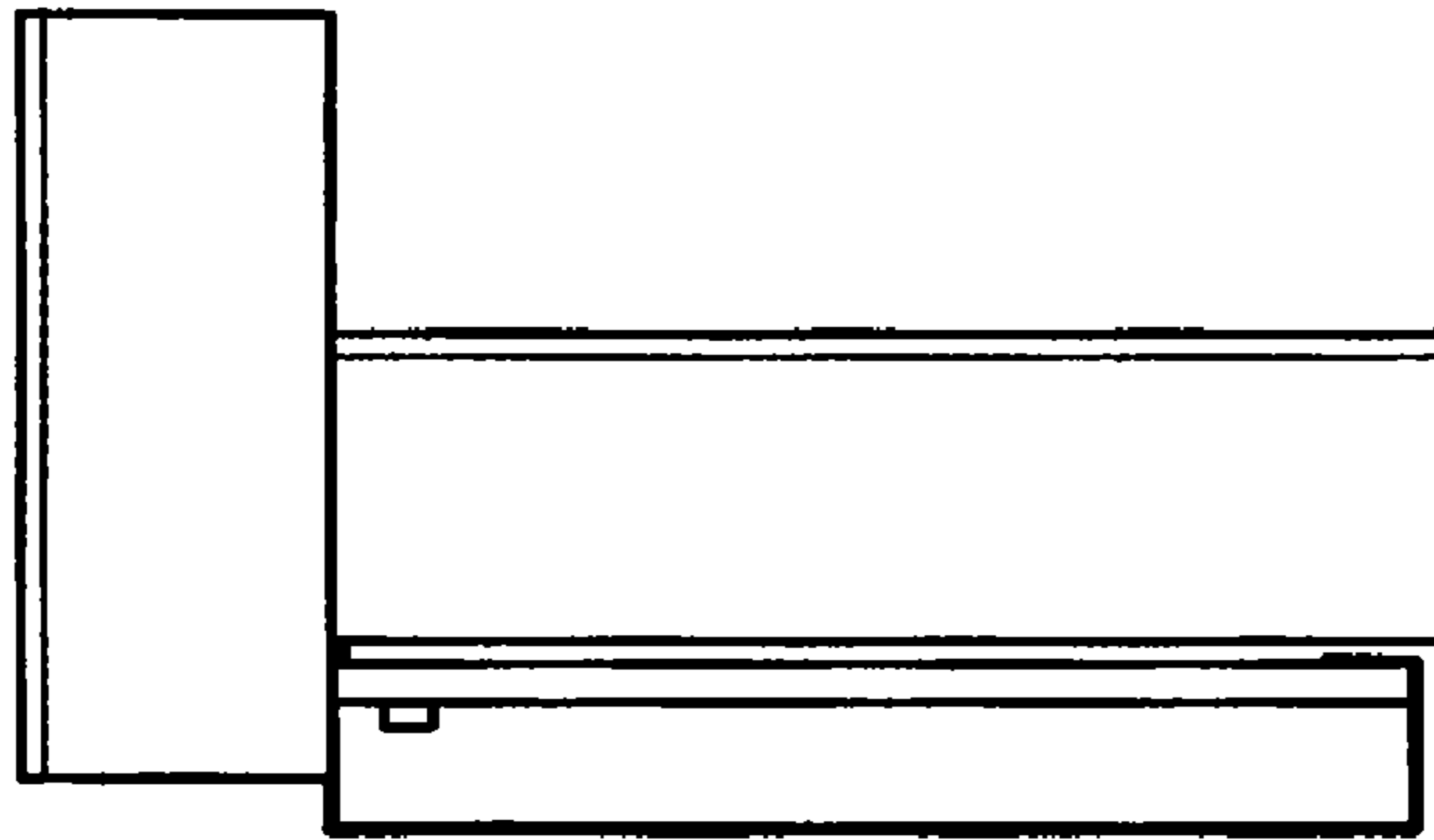


FIG. 16

