



US00D604956S

(12) **United States Design Patent**
Blomstrom et al.

(10) **Patent No.:** **US D604,956 S**
(45) **Date of Patent:** **** Dec. 1, 2009**

(54) **CASUAL LOUNGE SEATING**

(75) Inventors: **John K. Blomstrom**, Green Bay, WI (US); **Patrick W. Fricke**, Green Bay, WI (US)

(73) Assignee: **Krueger International, Inc.**, Green Bay, WI (US)

(**) Term: **14 Years**

(21) Appl. No.: **29/338,374**

(22) Filed: **Jun. 10, 2009**

(51) **LOC (9) Cl.** **06-01**

(52) **U.S. Cl.** **D6/373; D6/367**

(58) **Field of Classification Search** D6/334-336, D6/361, 364, 367, 366, 371-373, 374, 381, D6/492, 500-502; 297/411.42, 411.45, 423.28, 297/423.3, 440.23, 445.1, 446.1

See application file for complete search history.

(56) **References Cited**

U.S. PATENT DOCUMENTS

- D109,425 S * 4/1938 Salomon D6/373
- D222,451 S * 10/1971 Lamp D6/367
- 3,940,181 A 2/1976 Cheek, Jr.
- D249,857 S 10/1978 Adkinson
- D251,639 S 4/1979 Colby
- 4,188,066 A * 2/1980 Terenzoni 297/440.23
- D264,162 S 5/1982 Azzalin
- D264,909 S 6/1982 Caldwell
- D265,613 S * 8/1982 Zapf D6/373
- D267,056 S * 11/1982 Lopez-Benitez D6/373
- D273,351 S 4/1984 Crockett
- 4,603,906 A * 8/1986 Mathiesen 297/440.23
- D290,913 S 7/1987 Righter
- D297,080 S 8/1988 Hemberg
- D301,814 S 6/1989 Bush et al.
- D325,834 S 5/1992 Fredrick
- D388,634 S 1/1998 Mulligan et al.

- D444,313 S 7/2001 Hutton
- D486,015 S 2/2004 de Blois
- D489,188 S * 5/2004 Ricci D6/334
- D495,902 S 9/2004 Haberman et al.
- D498,064 S 11/2004 Gomez
- D498,598 S 11/2004 Schweikarth et al.
- D532,984 S * 12/2006 Bennett D6/367
- D535,483 S 1/2007 Hutton
- D554,874 S 11/2007 Jourdan
- D566,429 S 4/2008 Roberts
- D569,111 S 5/2008 Swanson
- D571,564 S 6/2008 Schmidt
- D572,946 S 7/2008 Bollen
- D576,805 S 9/2008 Natuzzi
- D578,782 S 10/2008 Cramer et al.
- D580,664 S 11/2008 Cramer et al.
- D586,131 S 2/2009 Cramer et al.

* cited by examiner

Primary Examiner—Mimosa De

(74) *Attorney, Agent, or Firm*—Andrus, Scales, Starke & Sawall, LLP

(57) **CLAIM**

The ornamental design of casual lounge seating, as shown and described.

DESCRIPTION

FIG. 1 is a right side perspective view of casual lounge seating incorporating our new design, wherein the portions in phantom illustrate environment and form no part of the claimed design;

FIG. 2 is a front elevation view thereof;

FIG. 3 is a right side elevation view thereof, wherein the left side elevation view is a mirror image;

FIG. 4 is a top plan view thereof;

FIG. 5 is a rear elevation view thereof; and,

FIG. 6 is a bottom plan view thereof.

1 Claim, 3 Drawing Sheets

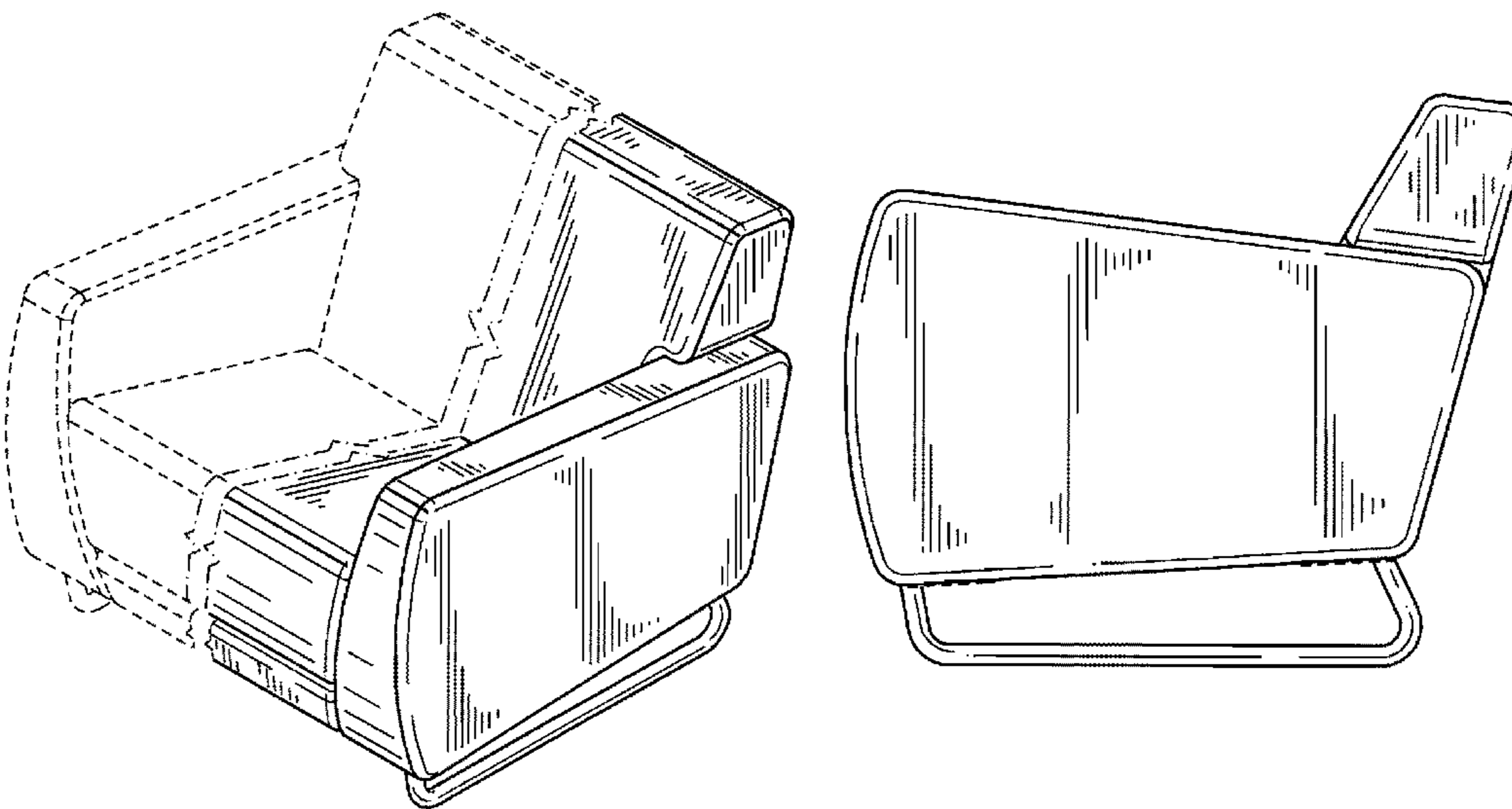


FIG. 1

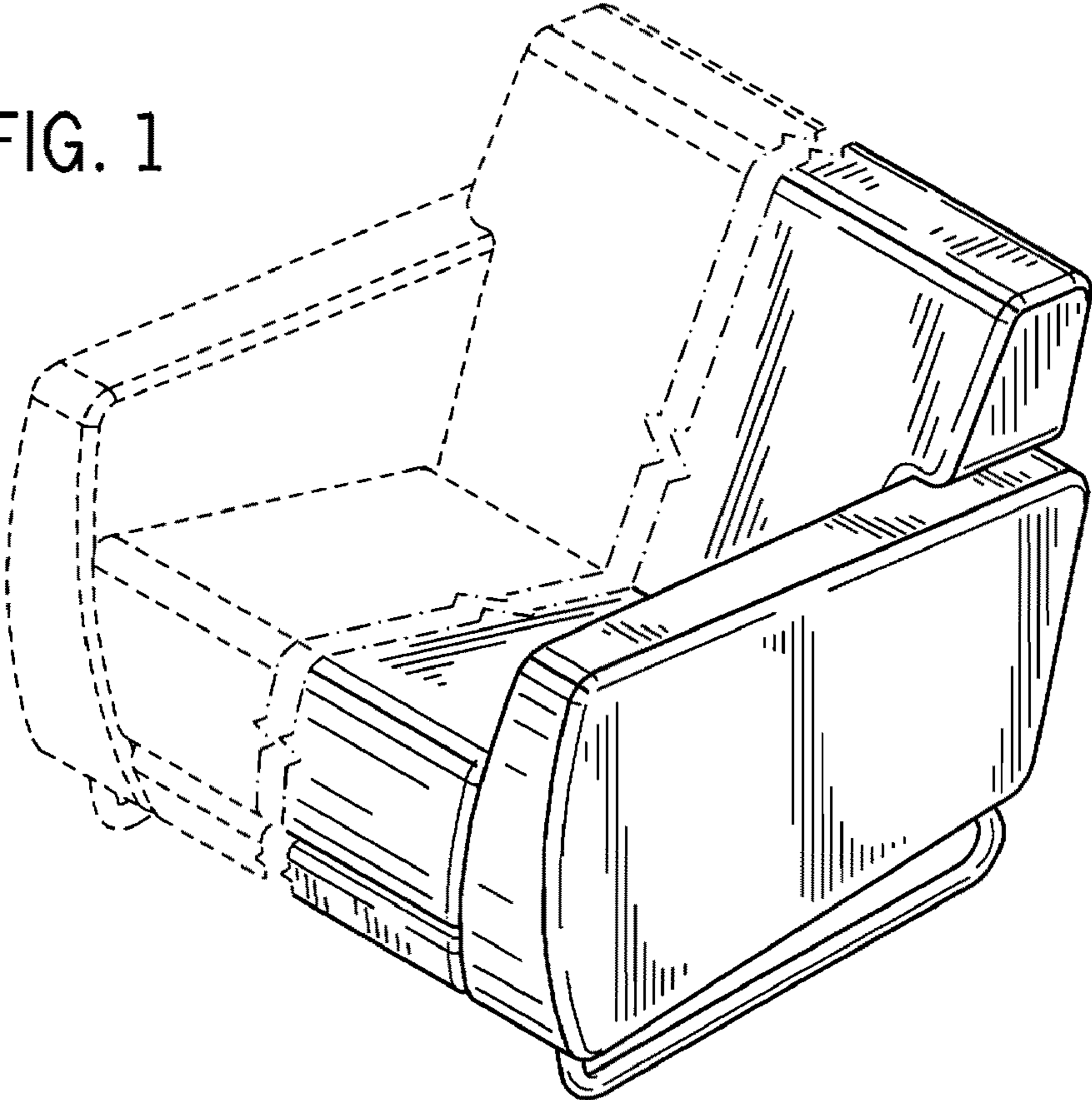
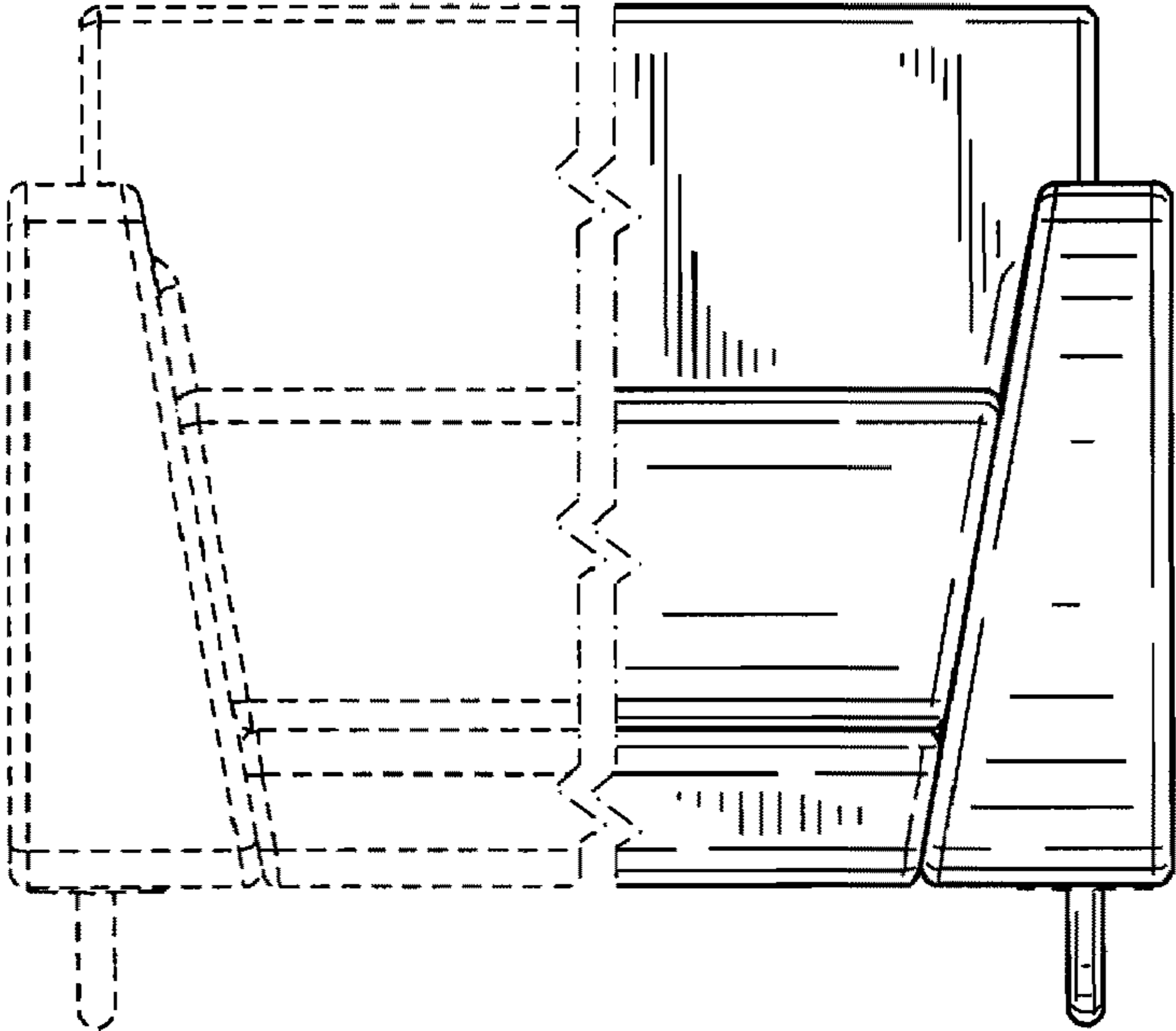


FIG. 2



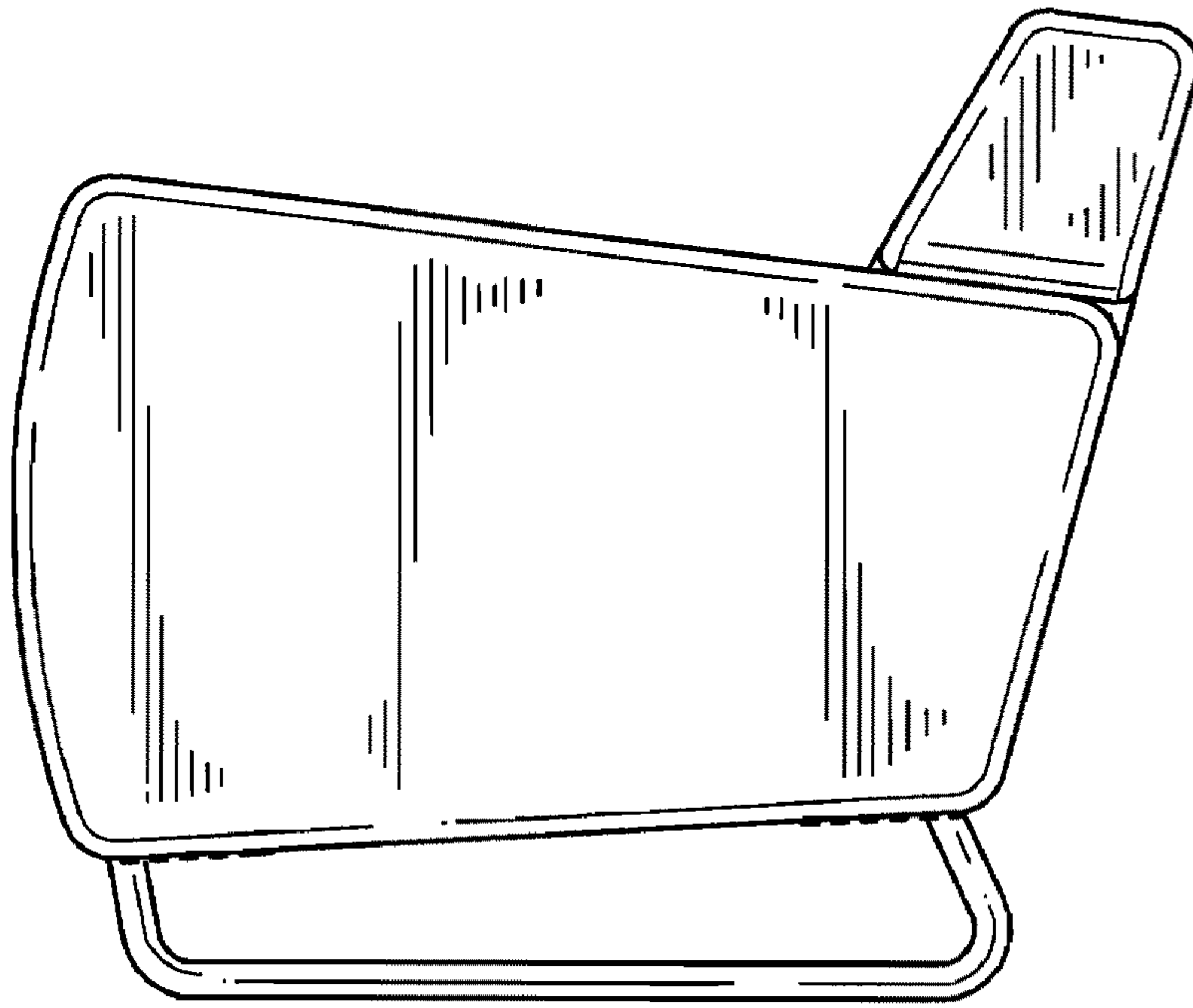


FIG. 3

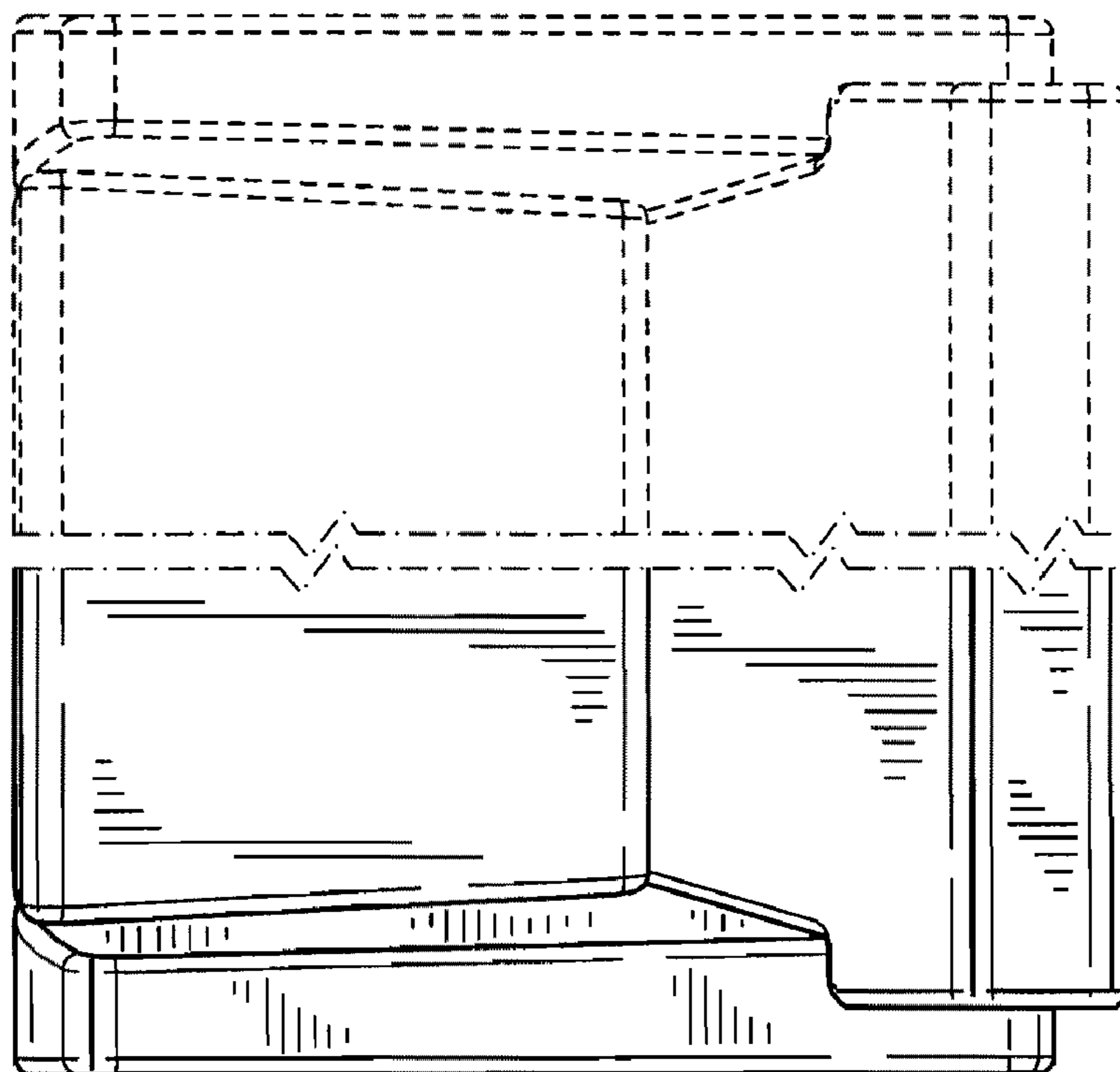


FIG. 4

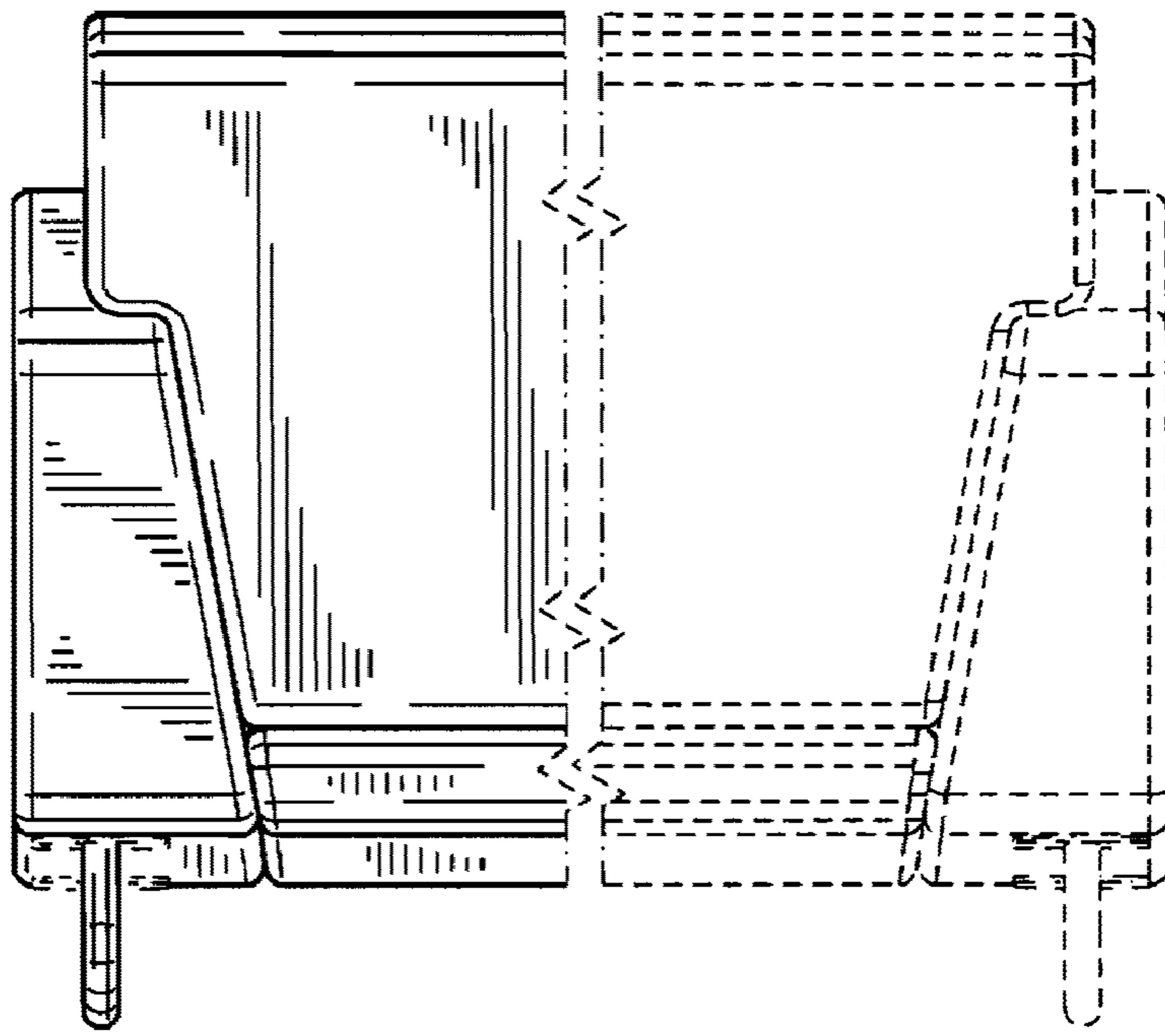


FIG. 5

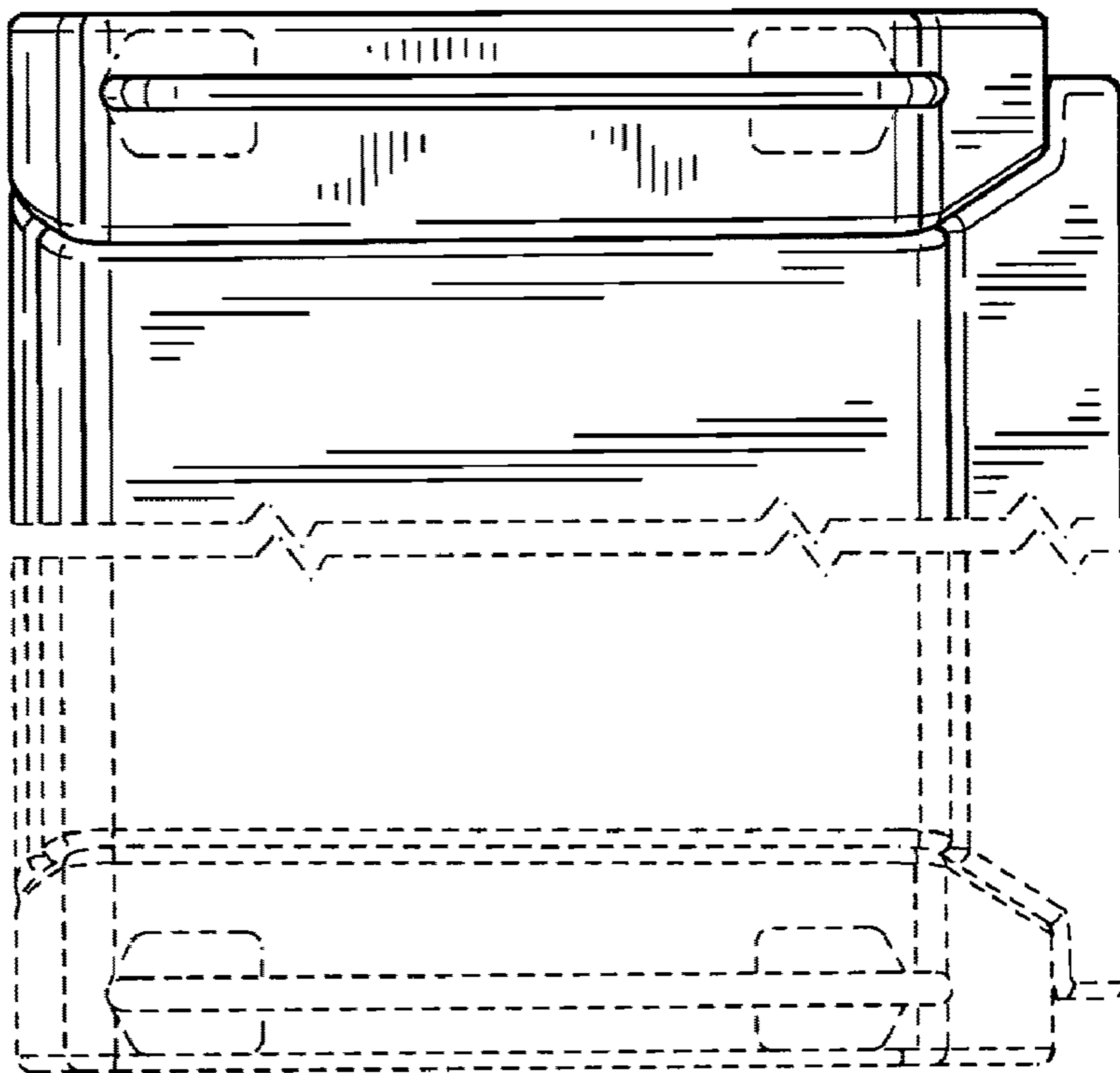


FIG. 6