

US00D604953S

(12) **United States Design Patent**
Chu et al.

(10) **Patent No.:** **US D604,953 S**
(45) **Date of Patent:** **** Dec. 1, 2009**

(54) **LUGGAGE FOOT**

(75) Inventors: **David Ching Chi Chu**, New York, NY (US); **Youjin Nam**, Hoboken, NJ (US)

(73) Assignee: **Tumi, Inc.**, New York, NY (US)

(**) Term: **14 Years**

(21) Appl. No.: **29/327,685**

(22) Filed: **Nov. 11, 2008**

Related U.S. Application Data

(63) Continuation-in-part of application No. 29/320,371, filed on Jun. 25, 2008, now abandoned.

(51) **LOC (9) Cl.** **03-01**

(52) **U.S. Cl.** **D3/318**

(58) **Field of Classification Search** D3/318,
D3/321, 322, 276, 277, 279, 283, 902; 190/18 A,
190/100, 103, 109, 112, 124

See application file for complete search history.

(56) **References Cited**

U.S. PATENT DOCUMENTS

D374,773 S	10/1996	Domotor	
D394,551 S	5/1998	Decoster	
D416,684 S	* 11/1999	Nykoluk D3/321
D425,705 S	* 5/2000	Santy et al. D3/318
D493,283 S	7/2004	Rada et al.	
D494,763 S	8/2004	Fenton et al.	
D498,055 S	* 11/2004	Fenton D3/321
D503,536 S	4/2005	Rada et al.	
D507,112 S	7/2005	Fenton et al.	
D510,190 S	10/2005	Fenton et al.	

D538,043 S	3/2007	Fenton et al.	
D538,541 S	3/2007	Fenton et al.	
D554,861 S	11/2007	Udall et al.	
D581,667 S	* 12/2008	Yeh D3/279

OTHER PUBLICATIONS

Tumi "design in motion" product catalog from 1999.
First Tumi product catalog from 2001.
Second Tumi product catalog from 2001.
Tumi Business Collections product brochure (1999-2001).
Tumi Travel Collections product brochure (1999-2001).

* cited by examiner

Primary Examiner—Holly H Baynham

Assistant Examiner—Sheryl Lane

(74) *Attorney, Agent, or Firm*—Baker Botts L.L.P.

(57) **CLAIM**

The ornamental design for a luggage foot, as shown and described.

DESCRIPTION

FIG. 1 is a perspective view of a luggage foot.
FIG. 2 is a front view of the luggage foot of FIG. 1.
FIG. 3 is a rear view of the luggage foot of FIG. 1.
FIG. 4 is a right side view of the luggage foot of FIG. 1.
FIG. 5 is a left side view of the luggage foot of FIG. 1.
FIG. 6 is a top view of the luggage foot of FIG. 1; and,
FIG. 7 is a bottom view of the luggage foot of FIG. 1.
The broken lines are provided for illustrative purposes only and form no part of the claimed design.

1 Claim, 6 Drawing Sheets





FIG. 1



FIG. 2

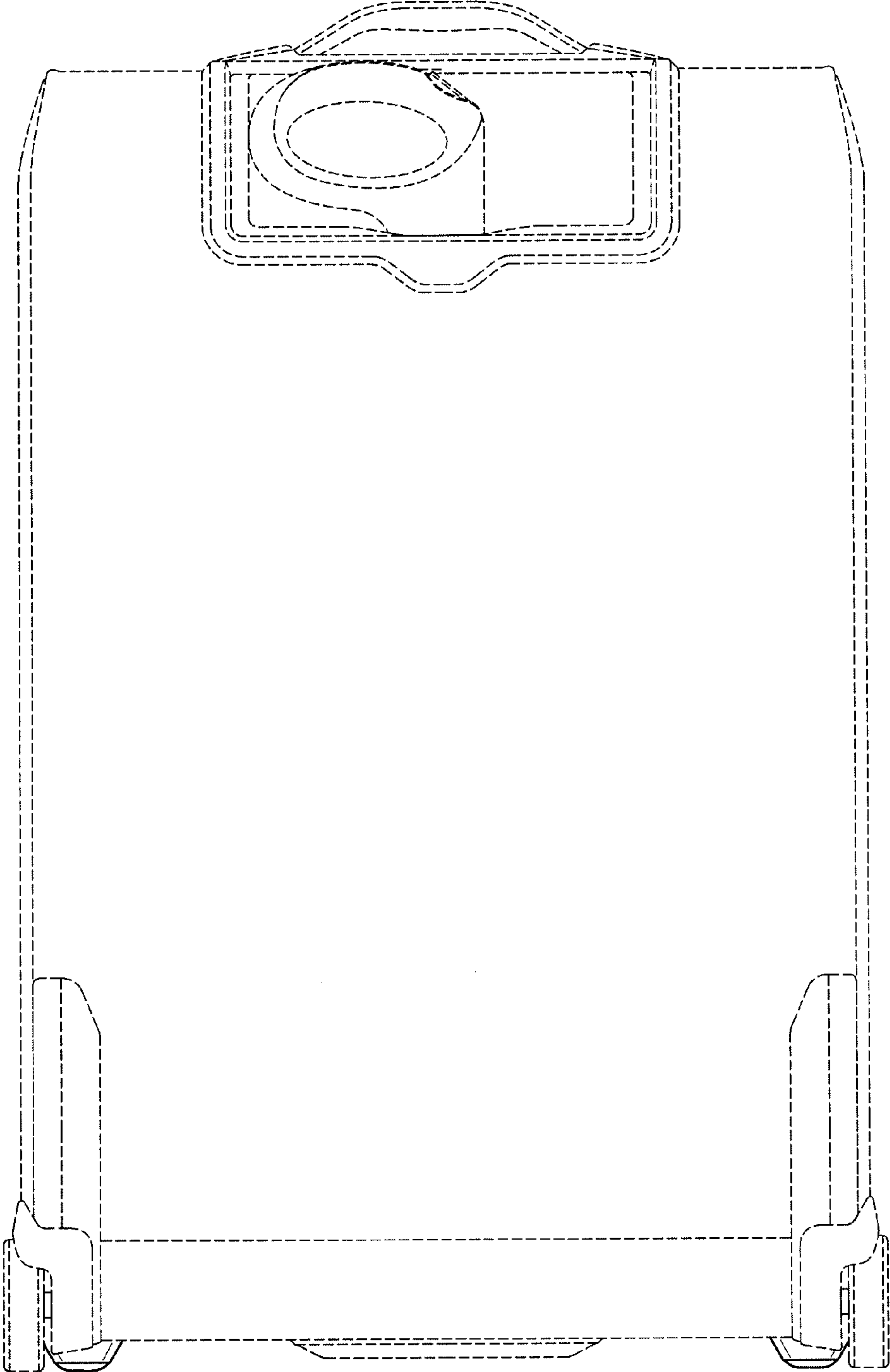


FIG.3

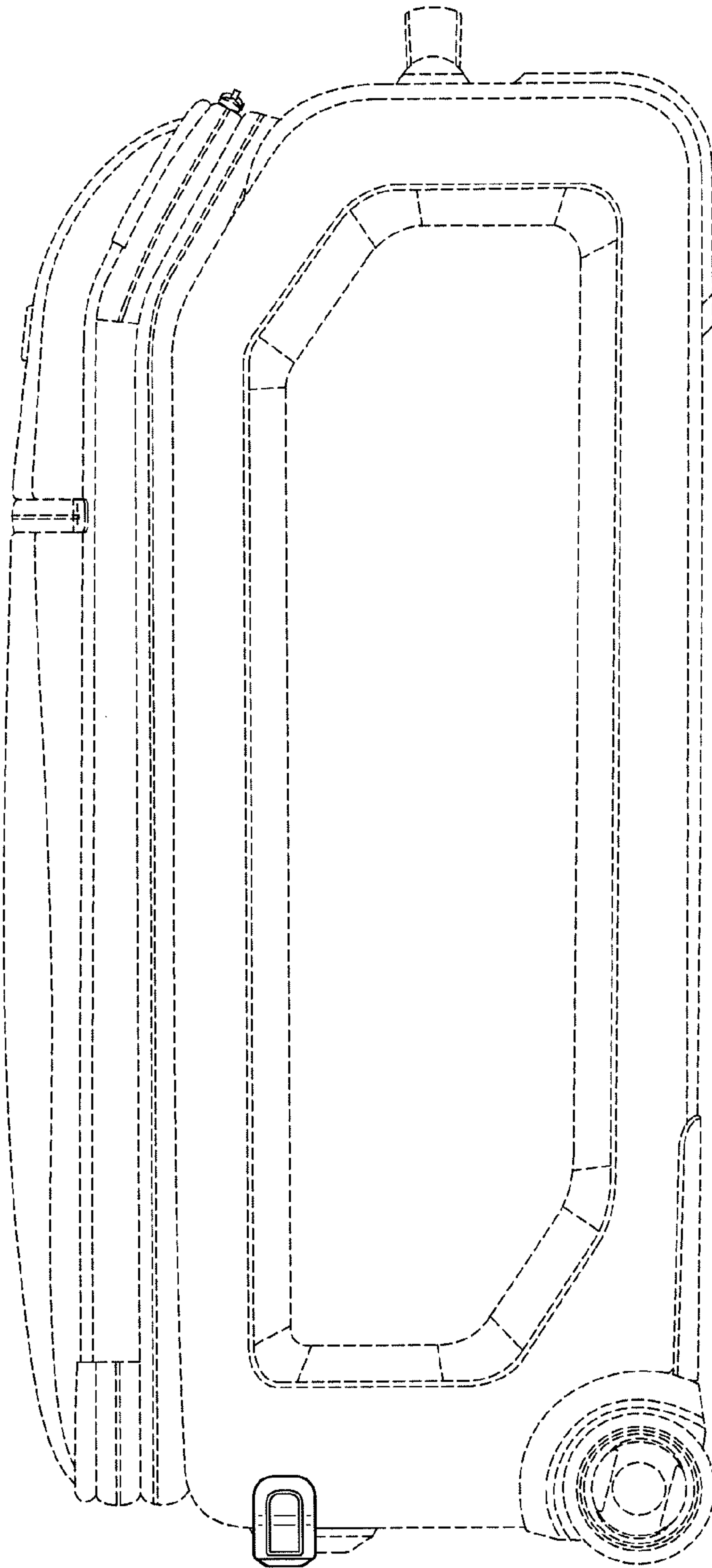


FIG. 4

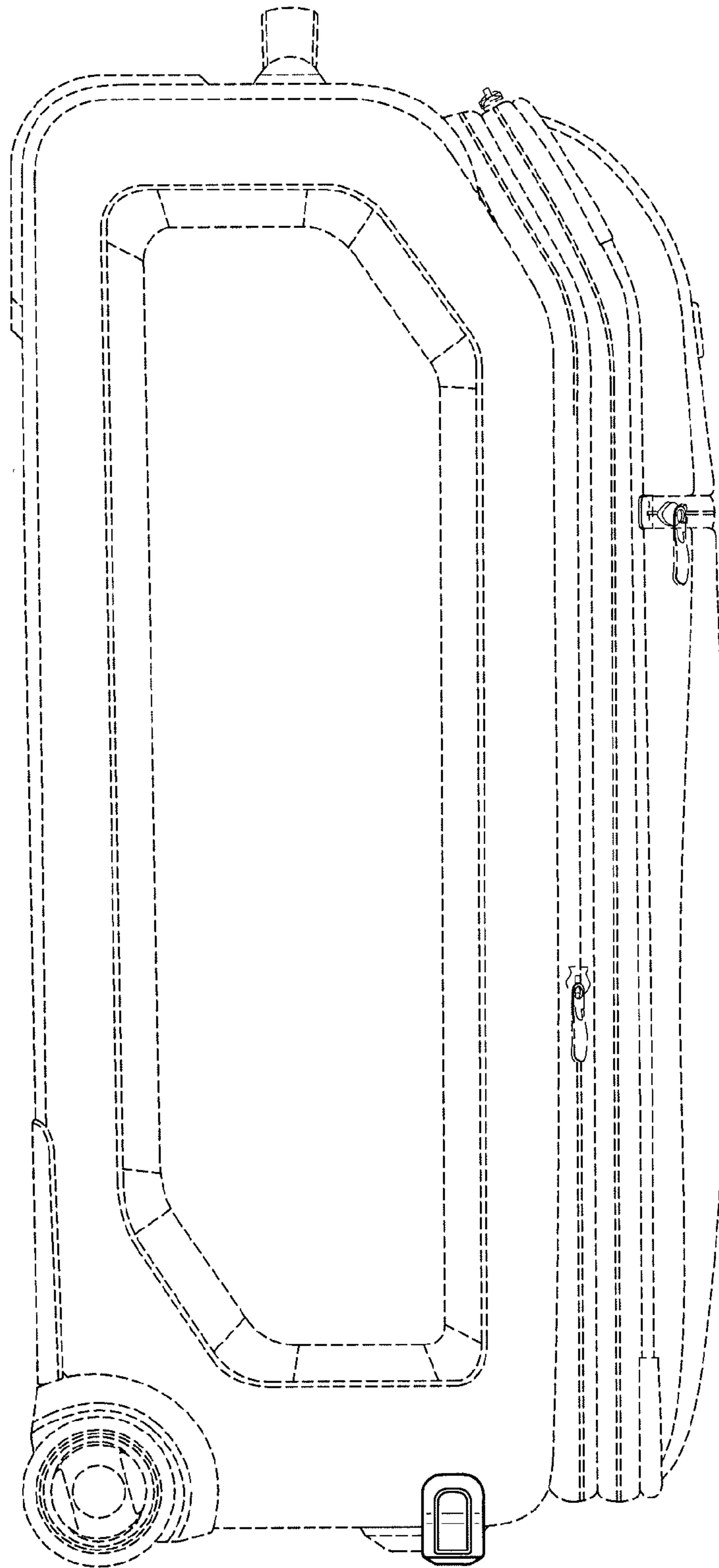


FIG. 5

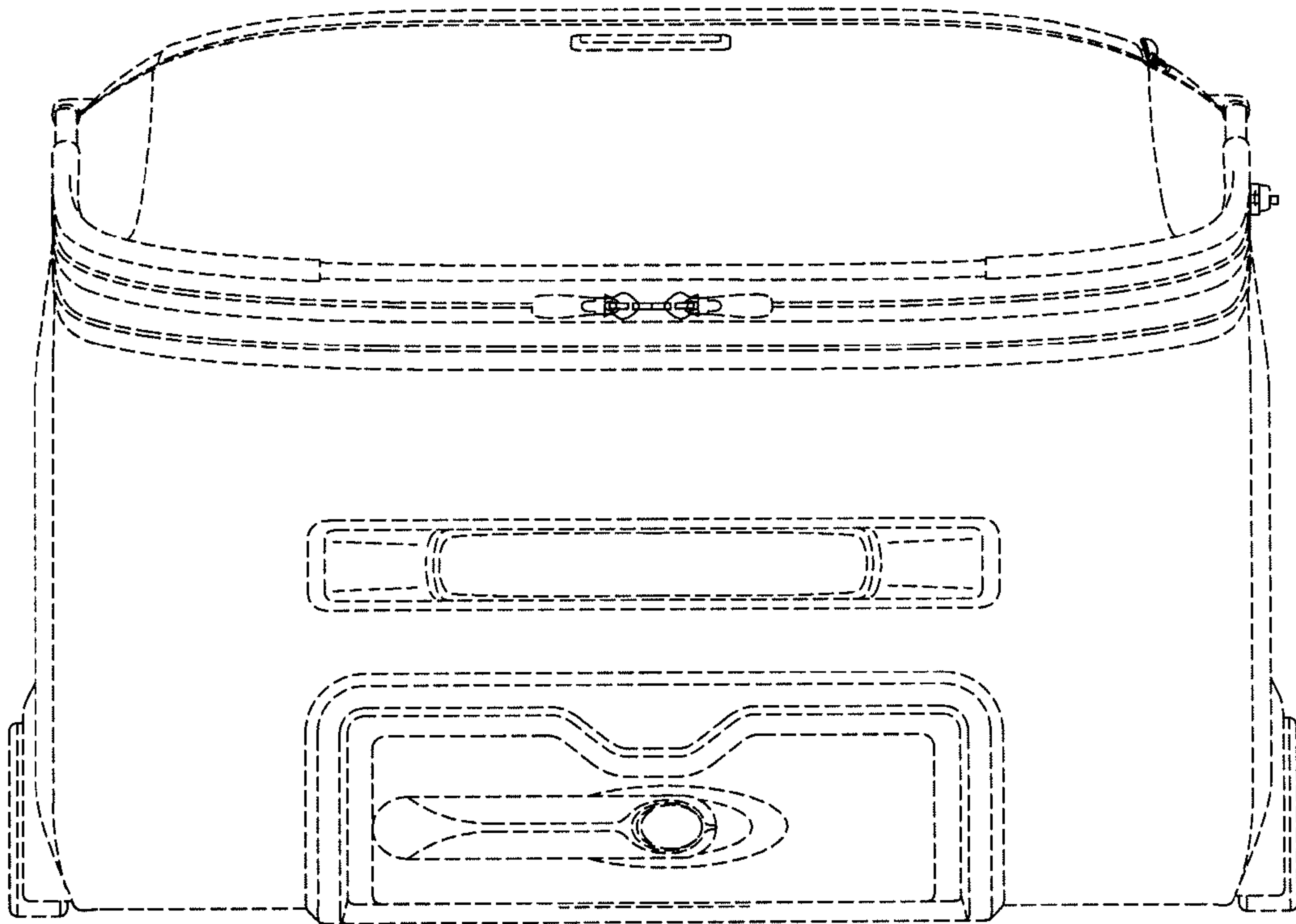


FIG. 6

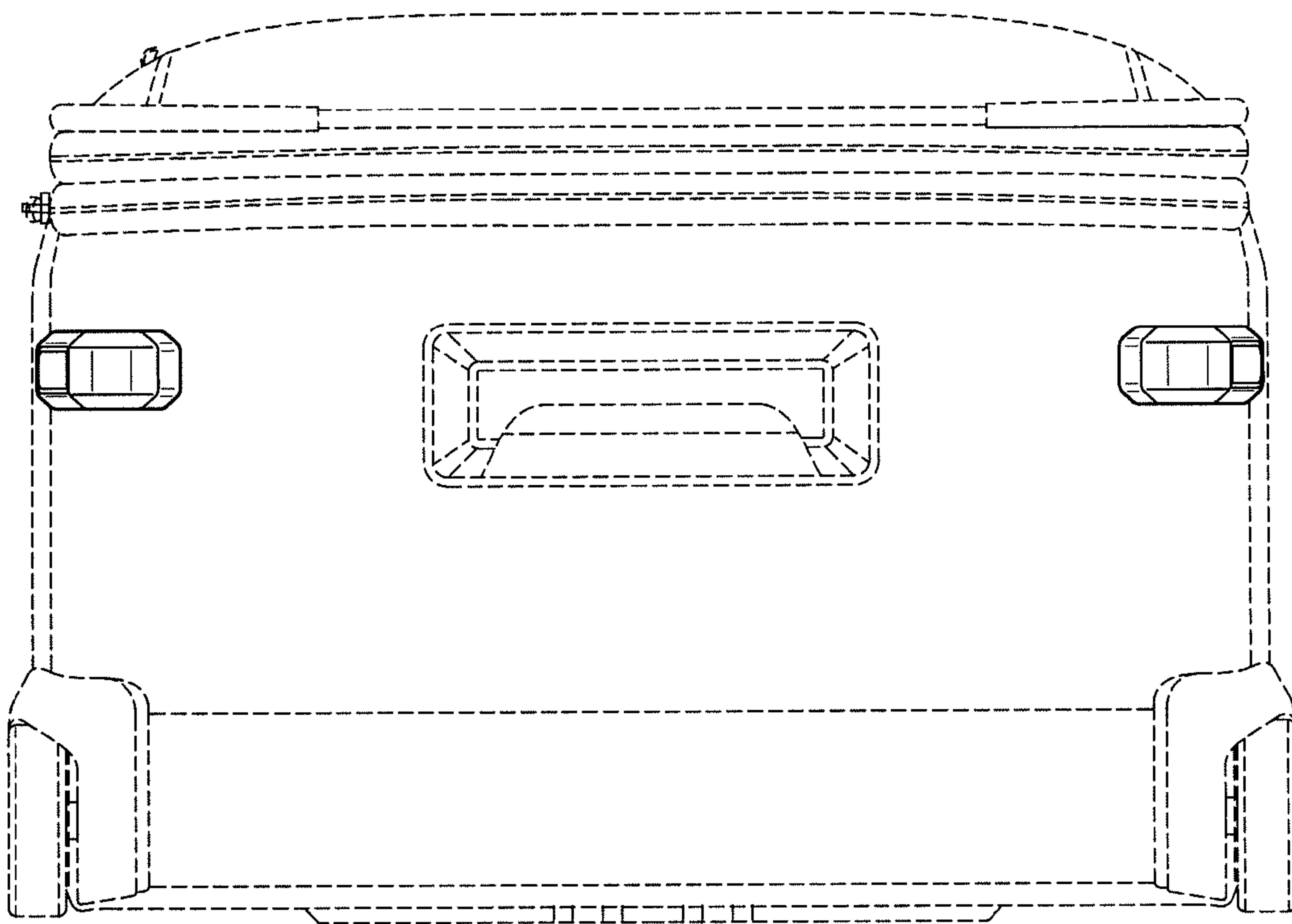


FIG. 7