



US00D604945S

(12) **United States Design Patent**
Tkachuk

(10) **Patent No.:** **US D604,945 S**
(45) **Date of Patent:** **** Dec. 1, 2009**

(54) **CASE FOR PORTABLE BLUETOOTH HEADSET**

(75) Inventor: **Steven Tkachuk**, Rancho Dominguez, CA (US)

(73) Assignee: **Samsung Electronics Co., Ltd.**, Kyunggi-do (KR)

(**) Term: **14 Years**

(21) Appl. No.: **29/312,954**

(22) Filed: **Nov. 25, 2008**

(30) **Foreign Application Priority Data**

Aug. 14, 2008 (KR) 30-2008-0035338

(51) **LOC (9) Cl.** **03-01**

(52) **U.S. Cl.** **D3/218**

(58) **Field of Classification Search** D3/218, D3/215, 219, 228, 229, 203.2, 207-212; 224/240-241, 245, 600, 673, 666, 901, 904, 224/930, 908; 379/455; 206/305, 320
See application file for complete search history.

(56) **References Cited**

U.S. PATENT DOCUMENTS

- D297,683 S * 9/1988 Beauchan D3/218
- D353,044 S * 12/1994 Riley D3/228
- D433,564 S * 11/2000 Backman et al. D3/228
- D543,694 S * 6/2007 Wang D3/218
- D562,310 S 2/2008 Moon et al.
- D577,356 S 9/2008 Moon et al.
- D579,442 S 10/2008 Kim et al.

OTHER PUBLICATIONS

U.S. Appl. No. 29/312 953, Applicant: Steven Tkachuk, filed Nov. 25, 2008 entitled Bluetooth Headset.

U.S. Appl. No. 29/312 955, Applicant: Steven Tkachuk, filed Nov. 25, 2008 entitled Portable Compact Bluetooth Speaker.

* cited by examiner

Primary Examiner—Catherine R Oliver

(74) *Attorney, Agent, or Firm*—Flynn, Thiel, Boutell & Tanis, P.C.

(57) **CLAIM**

The ornamental design for a case for portable bluetooth headset, as shown and described.

DESCRIPTION

FIG. 1 is a top front perspective view of a case for portable bluetooth headset showing my new design;

FIG. 2 is a front elevational view thereof;

FIG. 3 is a rear elevational view thereof;

FIG. 4 is a left side elevational view thereof;

FIG. 5 is a right side elevational view thereof;

FIG. 6 is a top plan view thereof;

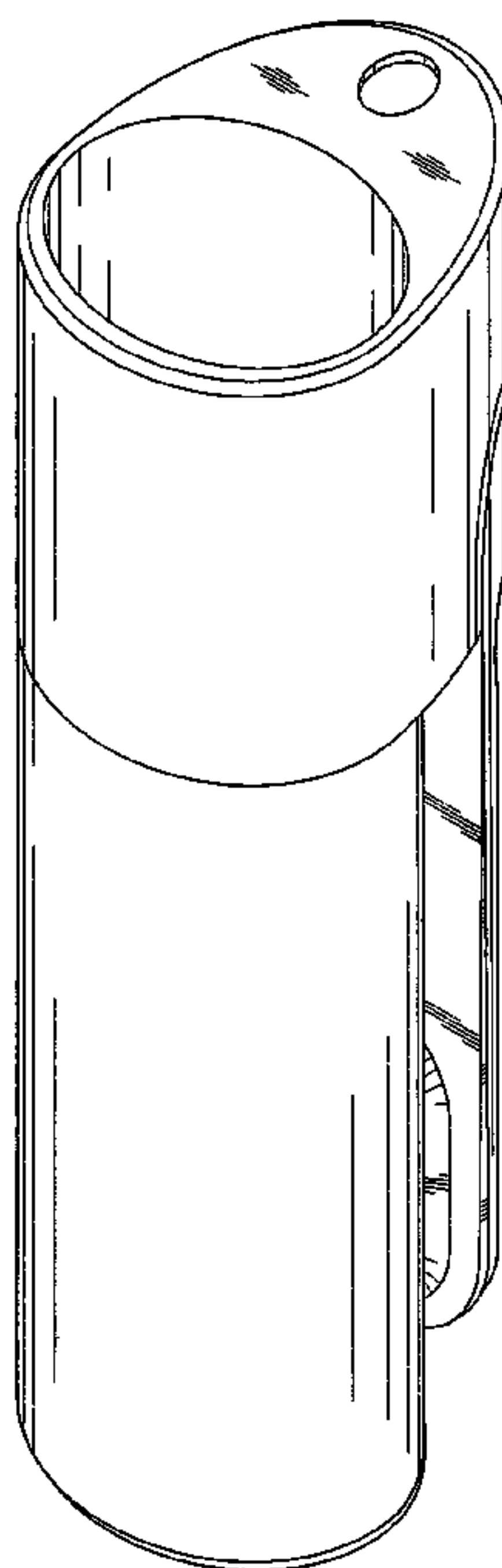
FIG. 7 is a bottom plan view thereof;

FIG. 8 is a front elevational view thereof in a using state before the headset is inserted into carrier case; and,

FIG. 9 is a rear elevational view thereof in a using state when the headset case is held by a pendulum or line.

The broken line showing of environment in drawing figures is for illustrative purposes only and forms no part of the claimed design.

1 Claim, 6 Drawing Sheets



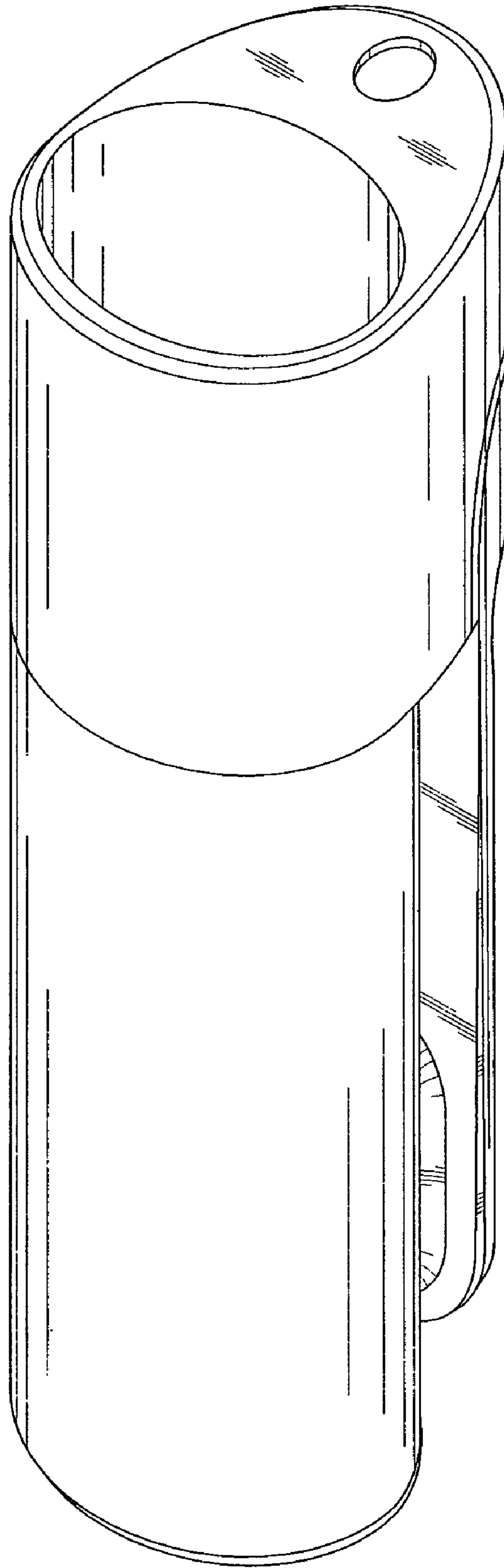


FIG. 1

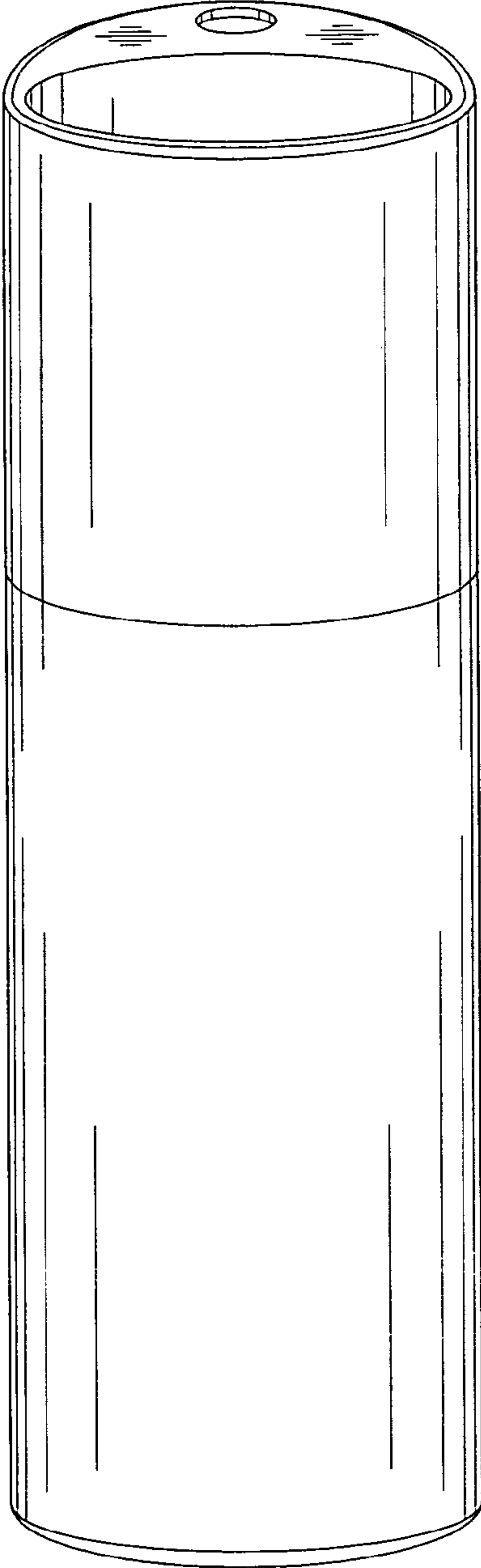


FIG. 2

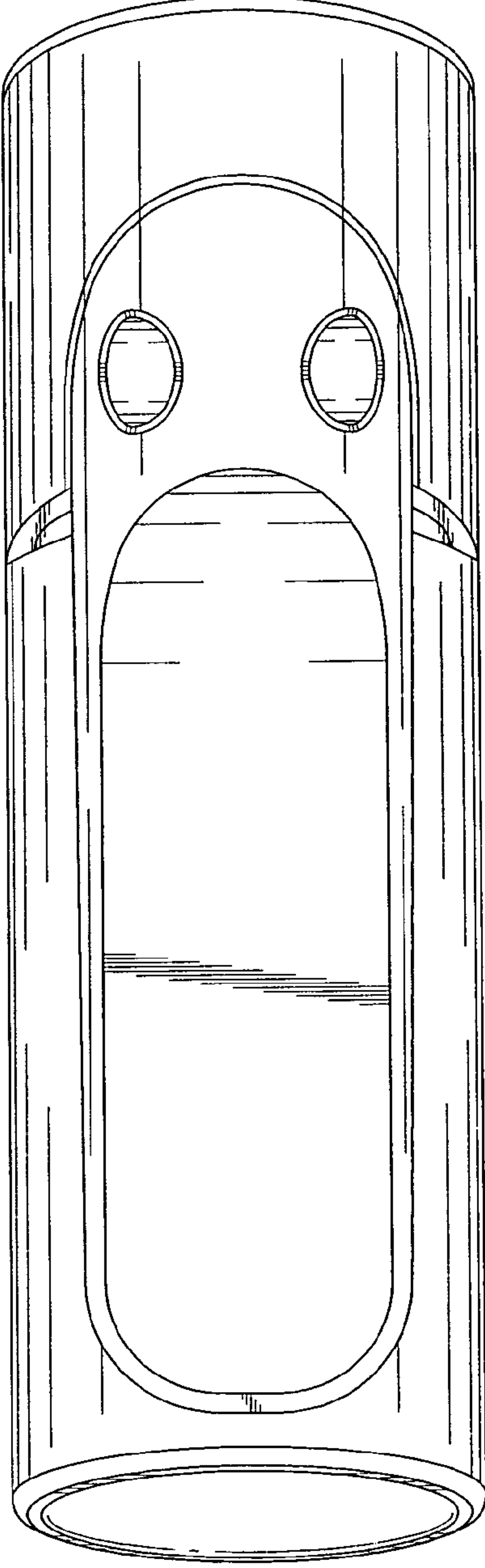


FIG. 3

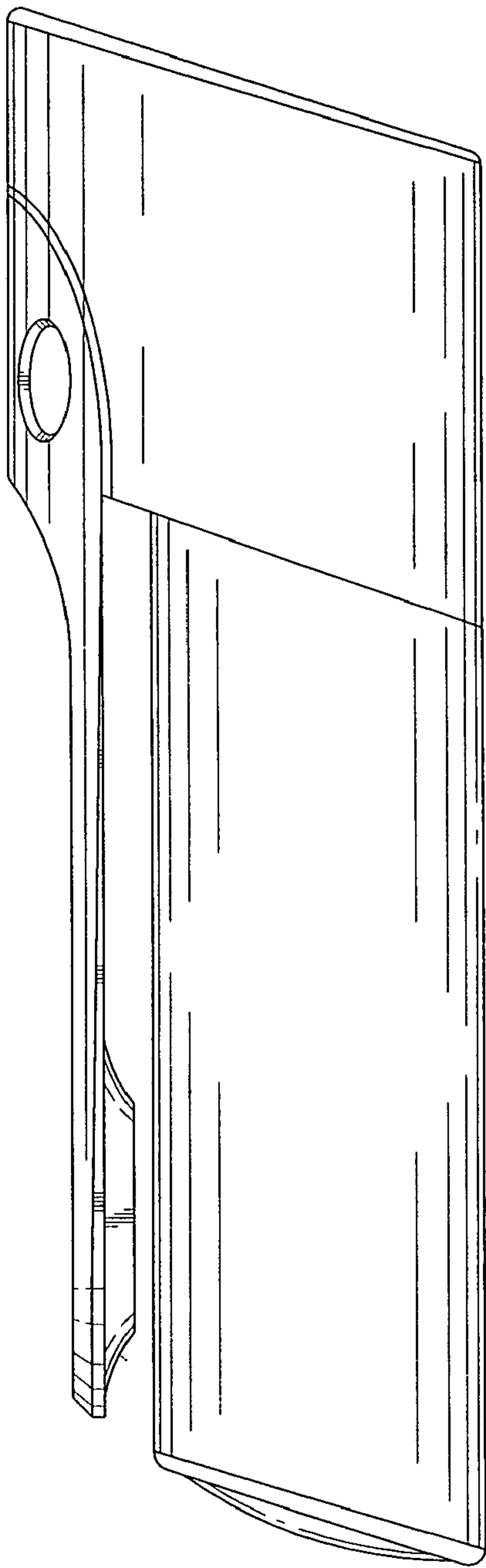


FIG. 4

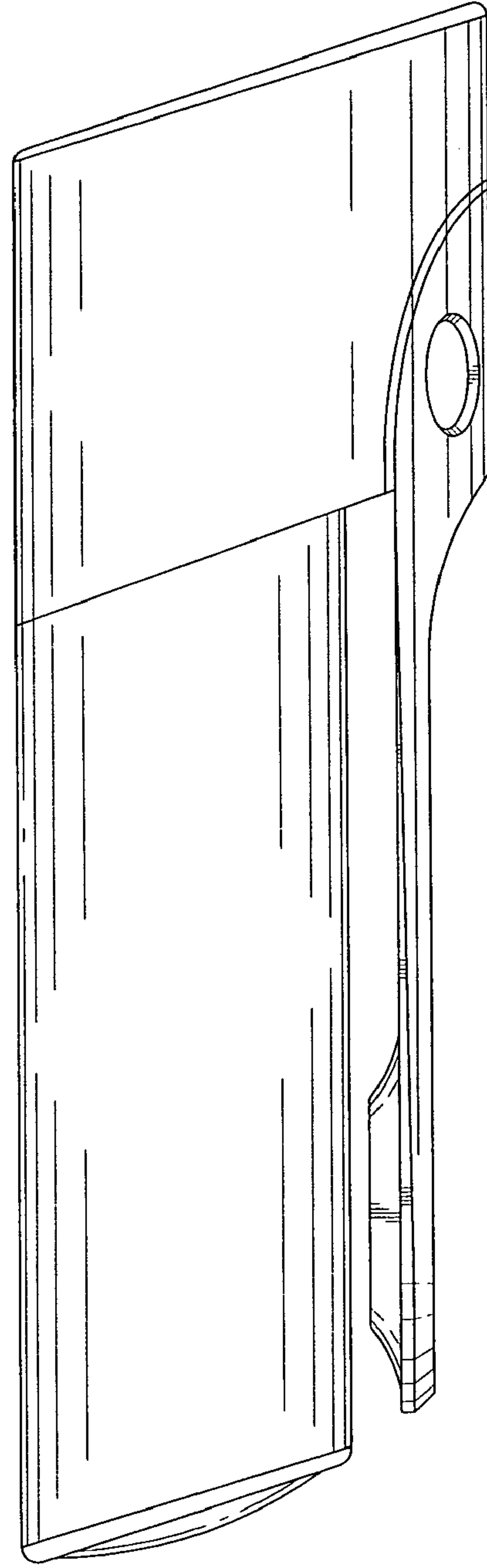


FIG. 5

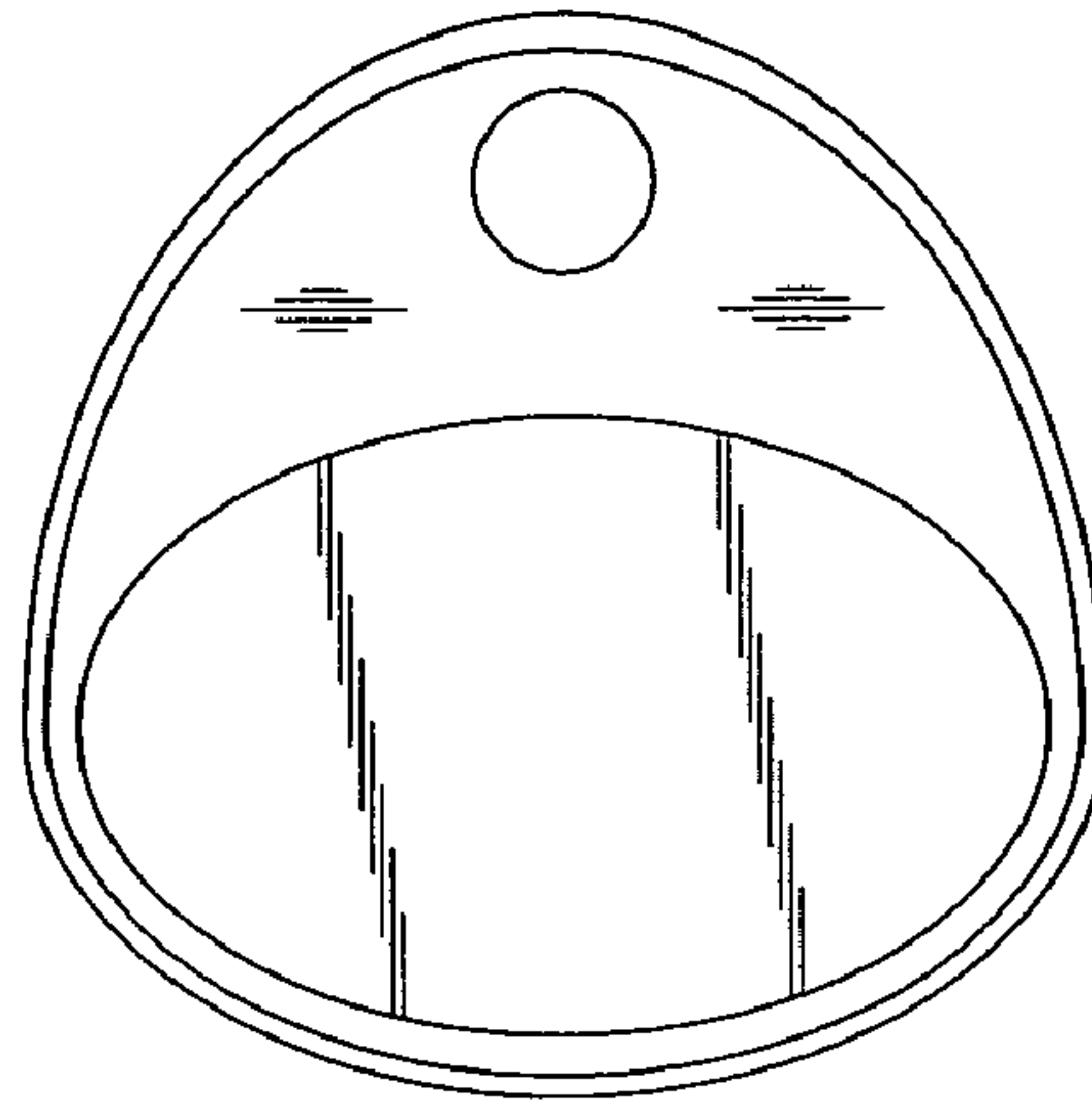


FIG. 6

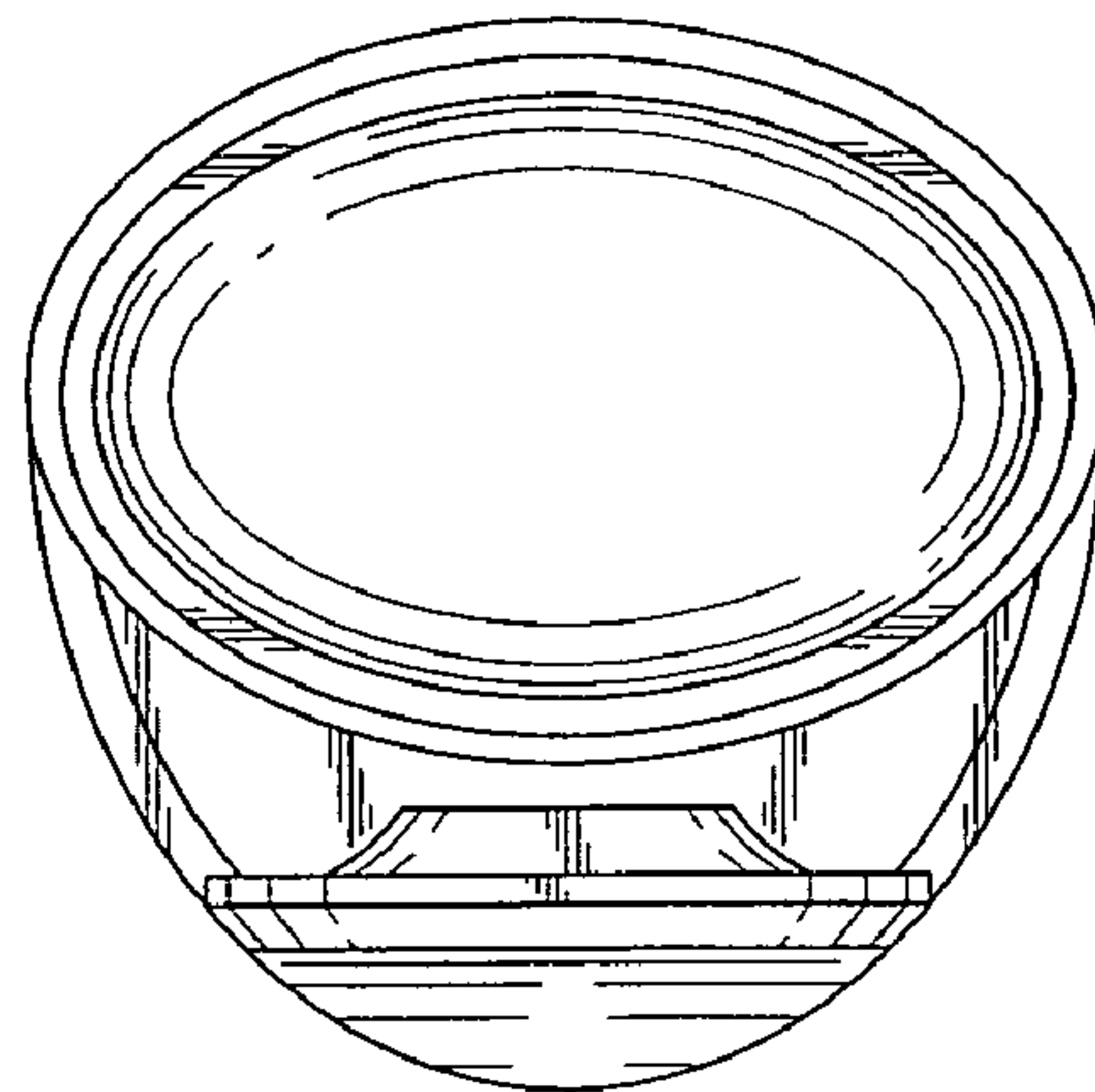


FIG. 7

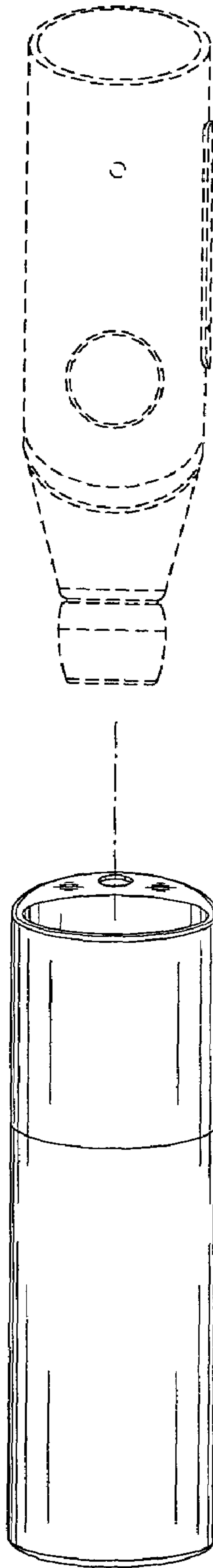


FIG.8

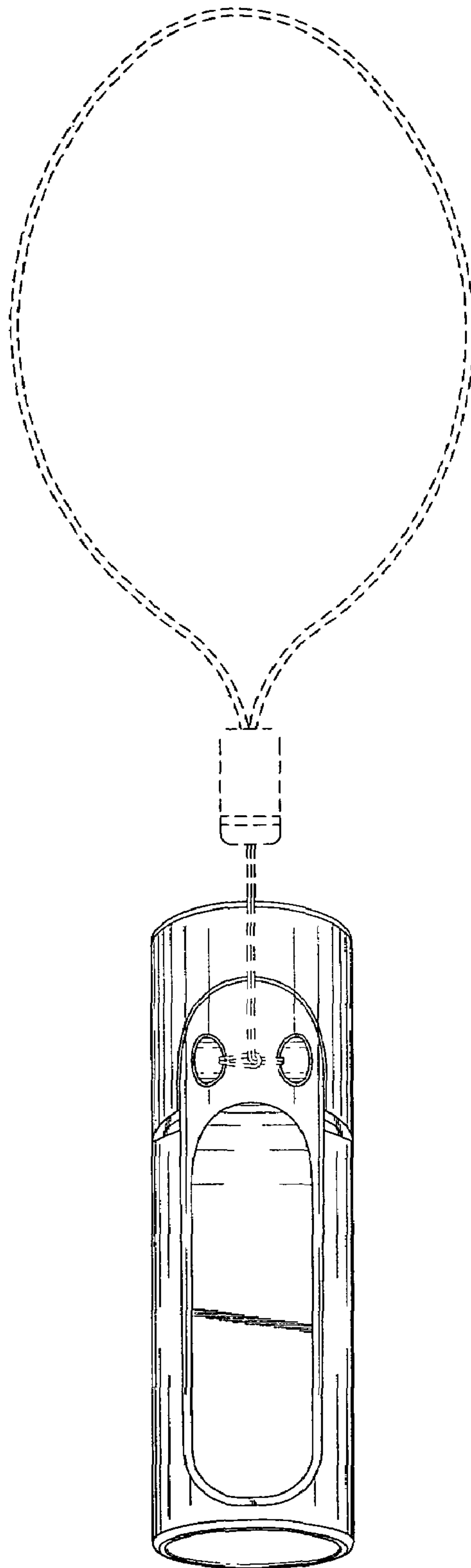


FIG.9