

US00D604943S

(12) **United States Design Patent**
Chiu

(10) **Patent No.:** **US D604,943 S**

(45) **Date of Patent:** **** Dec. 1, 2009**

(54) **KEY RING**

(75) Inventor: **Yi-Chung Chiu**, Taoyuan (TW)

(73) Assignee: **Hannspree, Inc.**, Taipei (TW)

(**) Term: **14 Years**

(21) Appl. No.: **29/339,165**

(22) Filed: **Jun. 25, 2009**

(51) **LOC (9) Cl.** **03-01**

(52) **U.S. Cl.** **D3/211**

(58) **Field of Classification Search** D3/207-212;
D11/79-85, 94-116; 24/3.6; 70/456 R,
70/456 B, 457-460

See application file for complete search history.

(56) **References Cited**

U.S. PATENT DOCUMENTS

1,638,743	A	*	8/1927	Peterson et al.	63/23
D114,580	S	*	5/1939	Shields	D11/79
D384,301	S	*	9/1997	Gusky	D11/81
D388,733	S	*	1/1998	Campbell	D11/81
D390,154	S	*	2/1998	Gusky	D11/81
D391,517	S	*	3/1998	Gusky	D11/81
D395,257	S	*	6/1998	Gusky	D11/81

D418,443	S	*	1/2000	Wieck	D11/81
D452,455	S	*	12/2001	Rimes	D11/2
D455,366	S	*	4/2002	Basha	D11/79
D535,581	S	*	1/2007	Scharr	D11/86

* cited by examiner

Primary Examiner—R. Seifert

(74) *Attorney, Agent, or Firm*—Ditthavong Mori & Steiner, P.C.

(57) **CLAIM**

The ornamental design for a key ring, as shown and described.

DESCRIPTION

FIG. 1 is a front perspective view of a key ring showing my new design;

FIG. 2 is a front elevational view thereof;

FIG. 3 is a rear elevational view thereof;

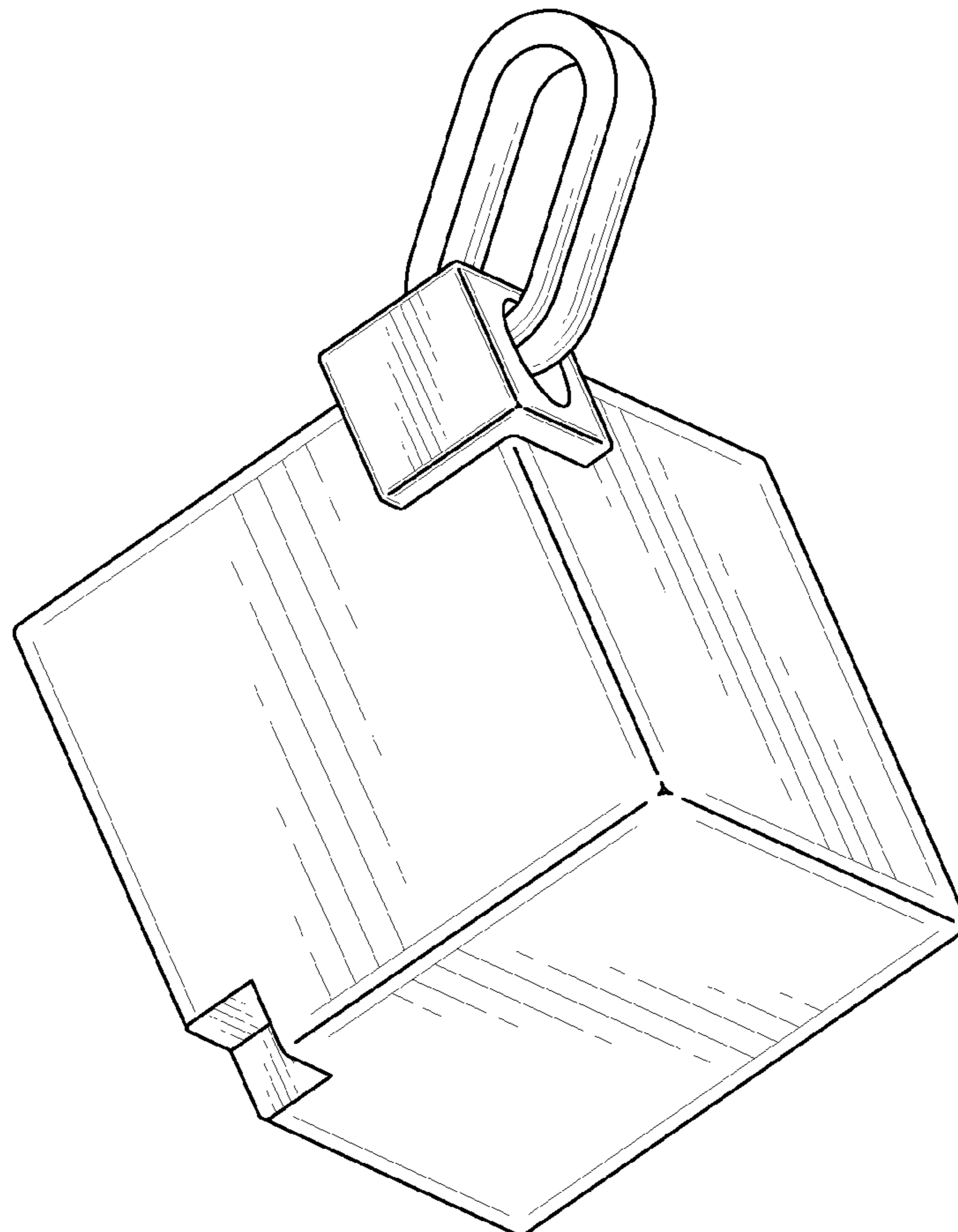
FIG. 4 is a left side elevational view thereof;

FIG. 5 is a right side elevational view thereof;

FIG. 6 is a top plan view thereof; and,

FIG. 7 is a bottom plan view thereof.

1 Claim, 7 Drawing Sheets



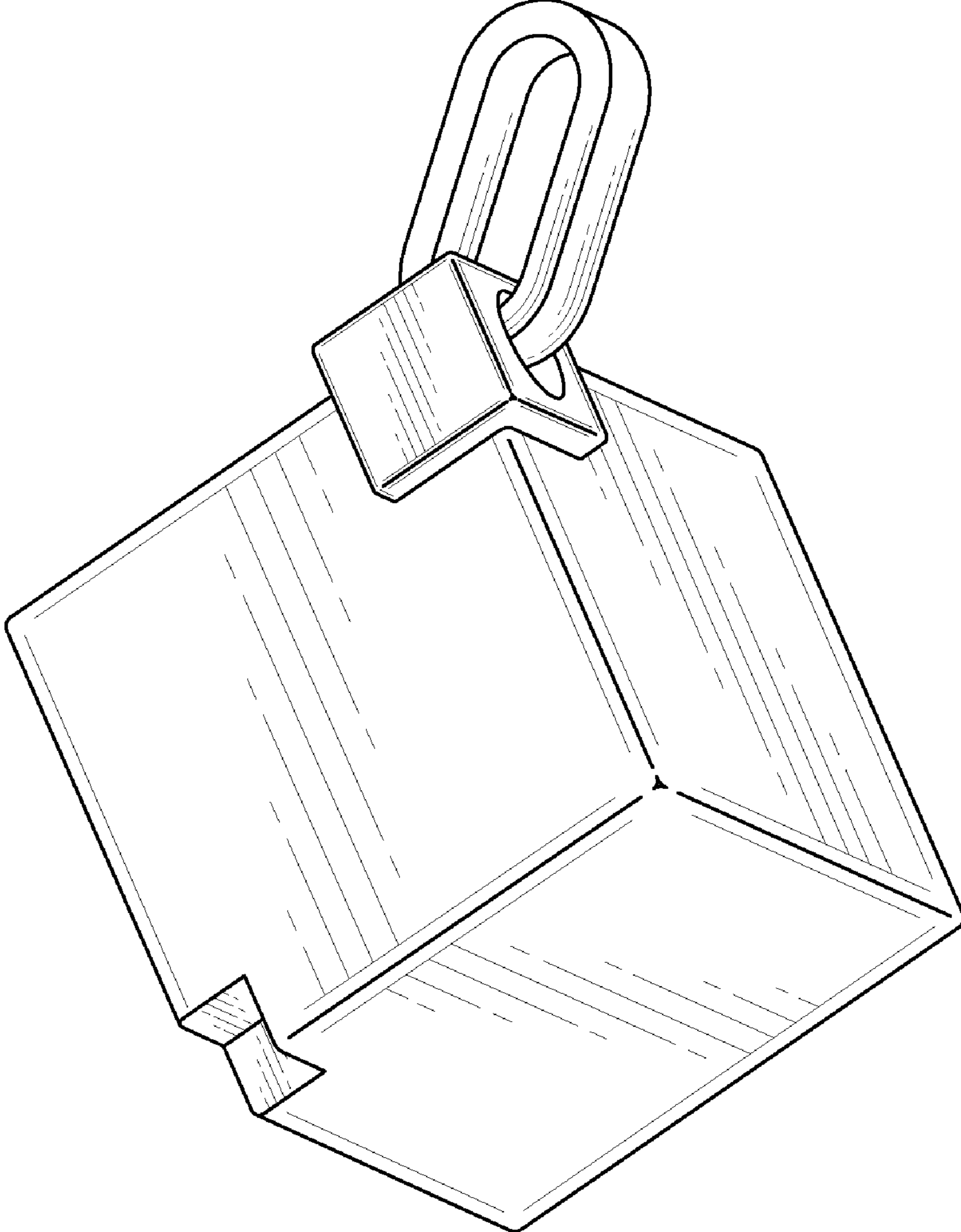


Fig. 1

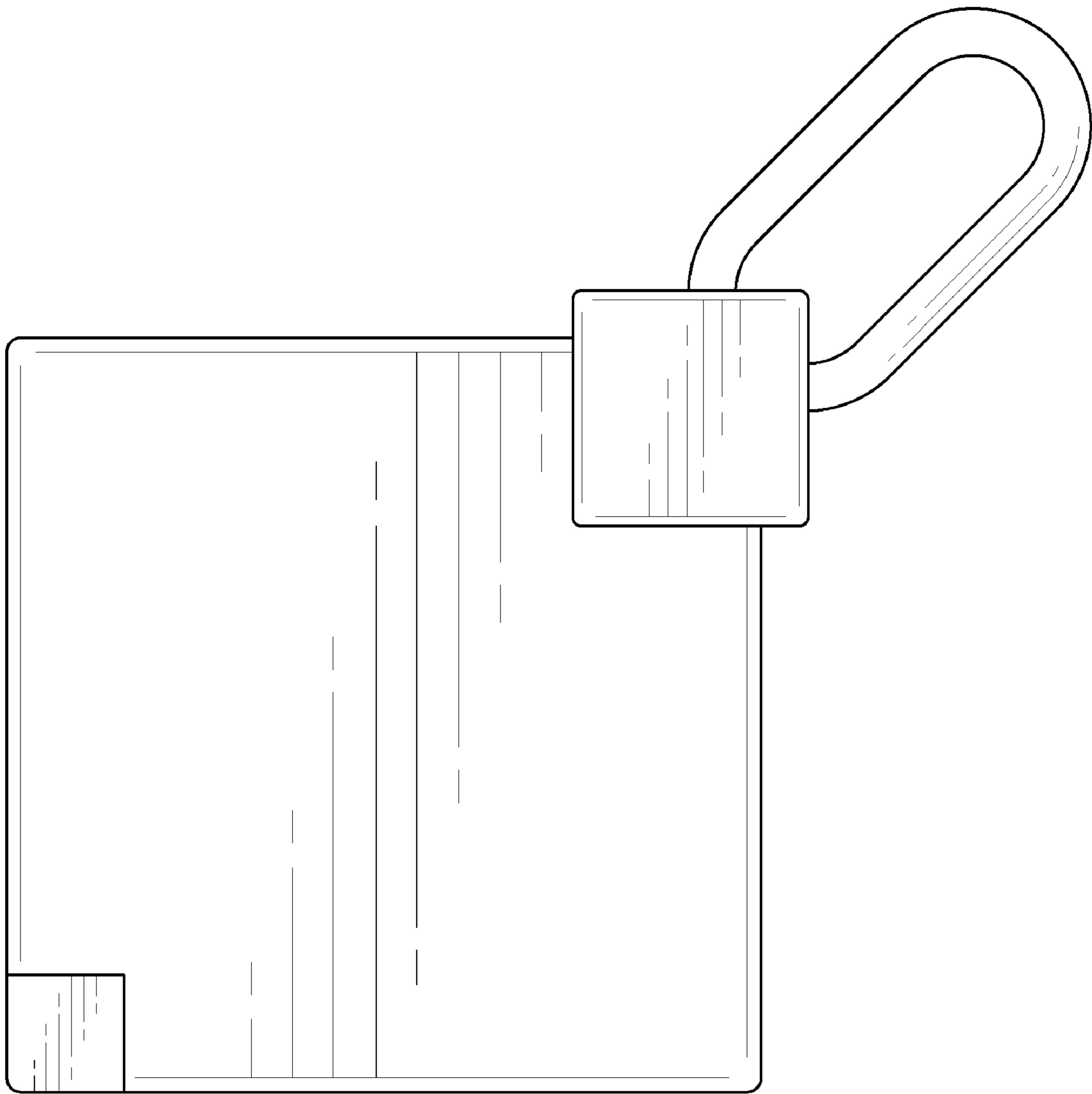


Fig. 2

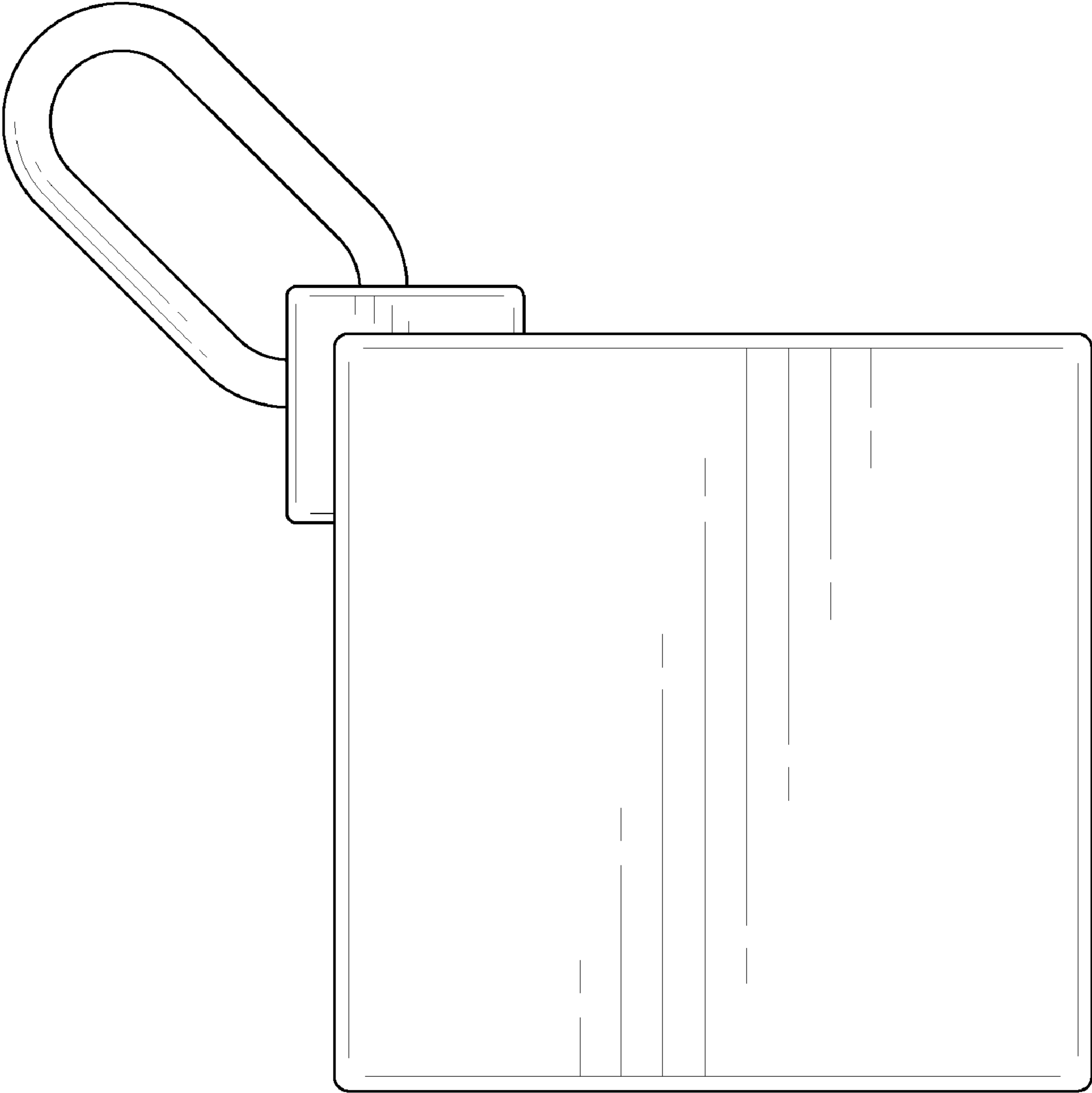


Fig. 3

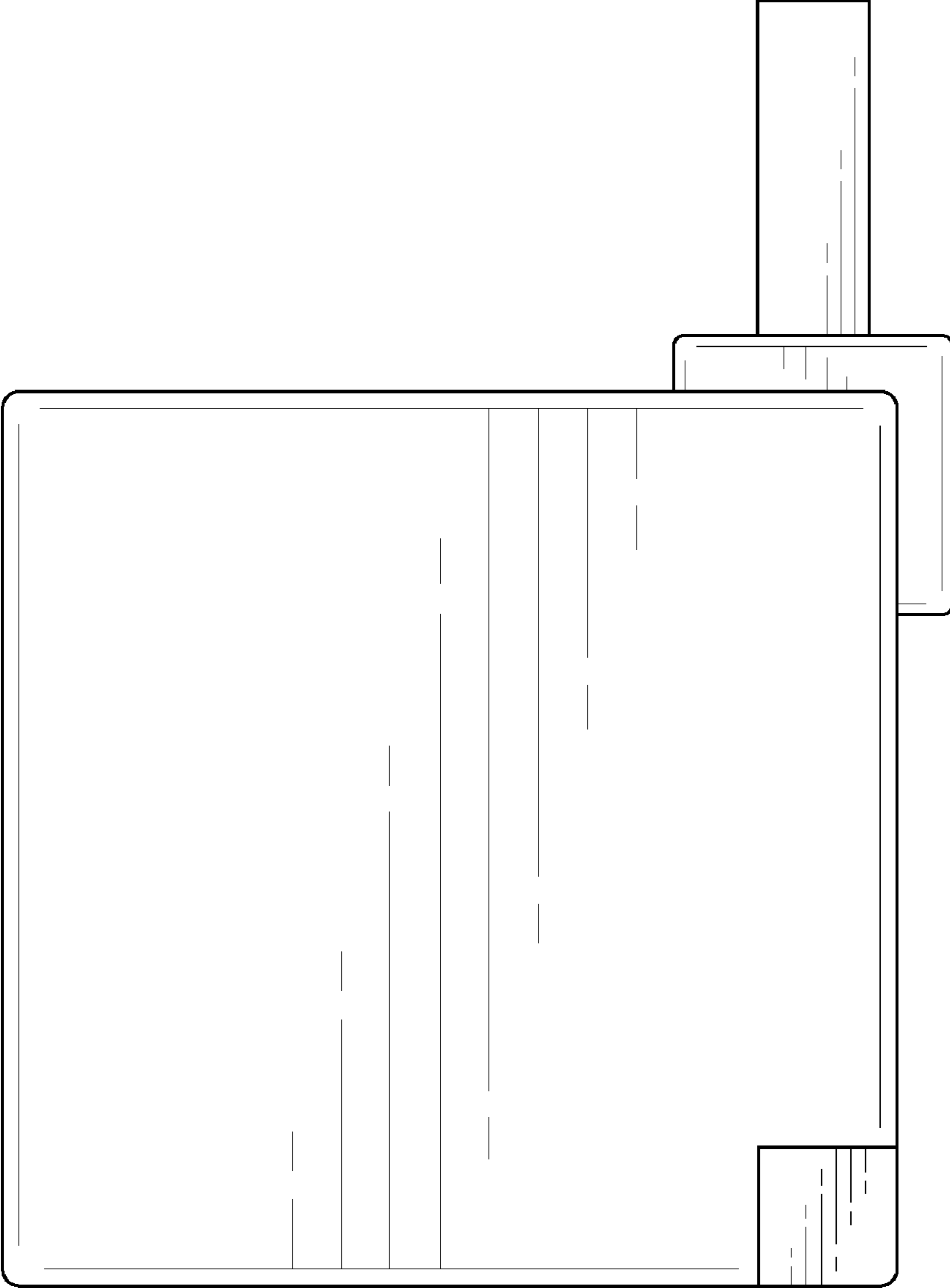


Fig. 4

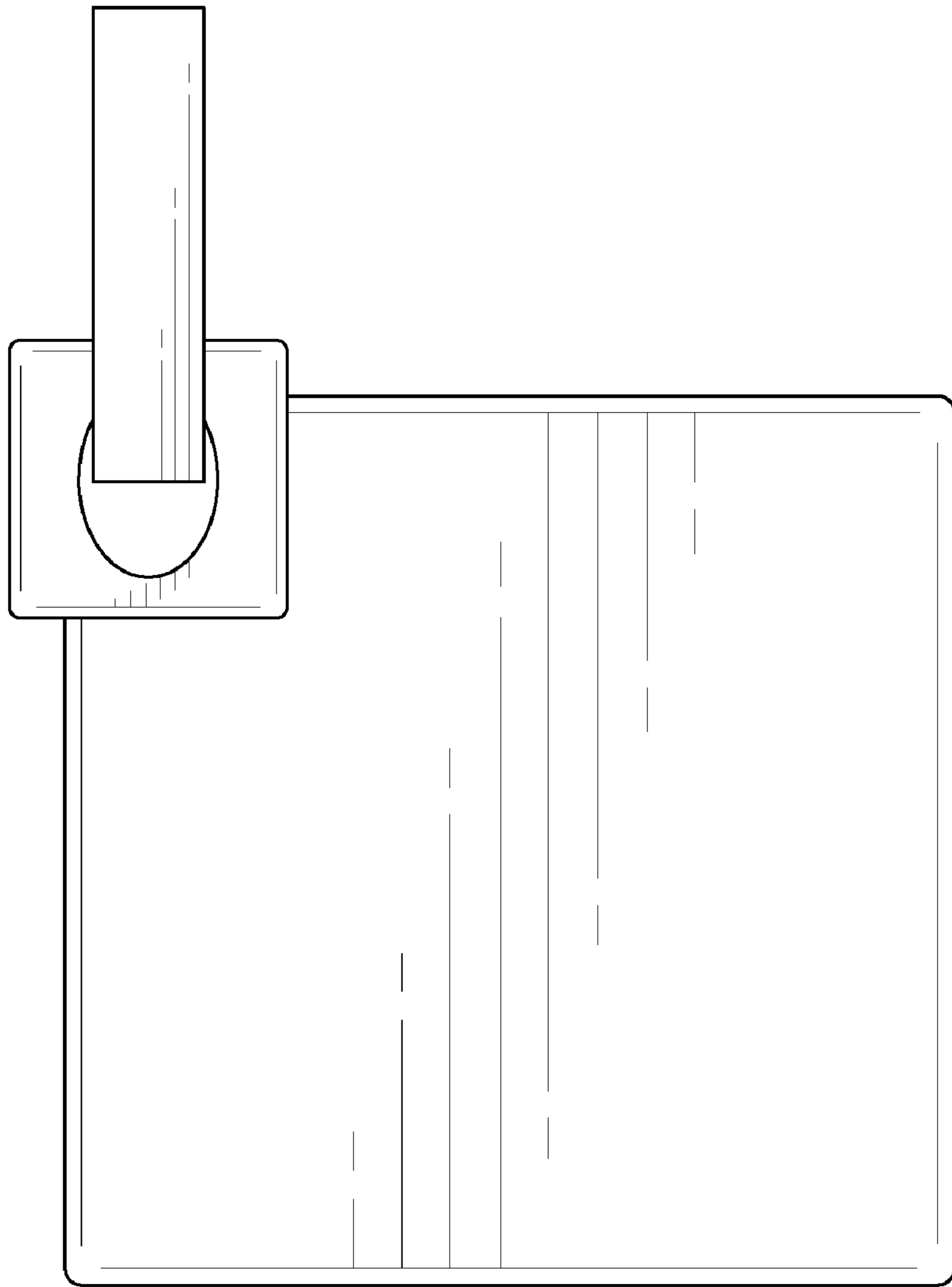


Fig. 5

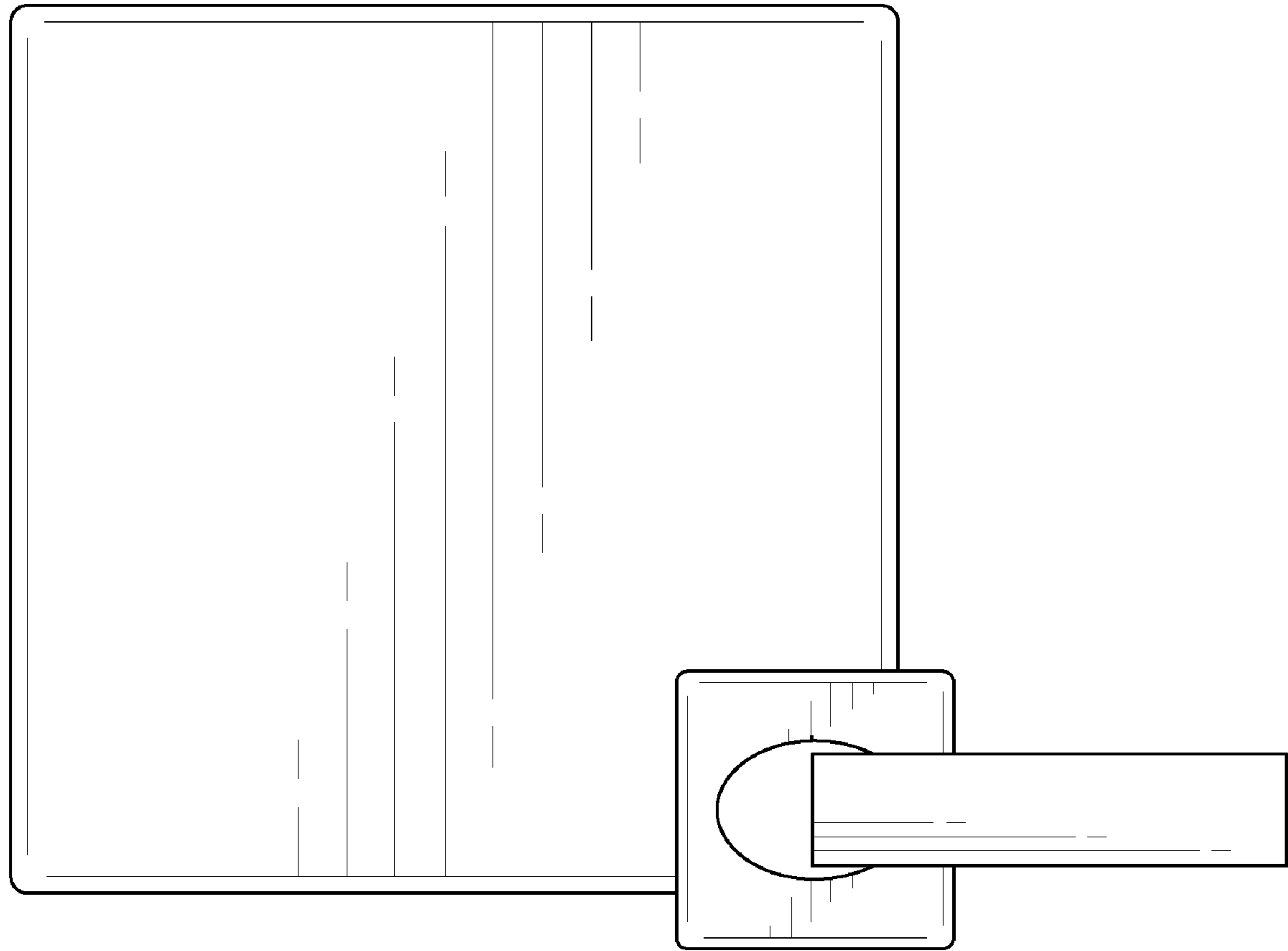


Fig. 6

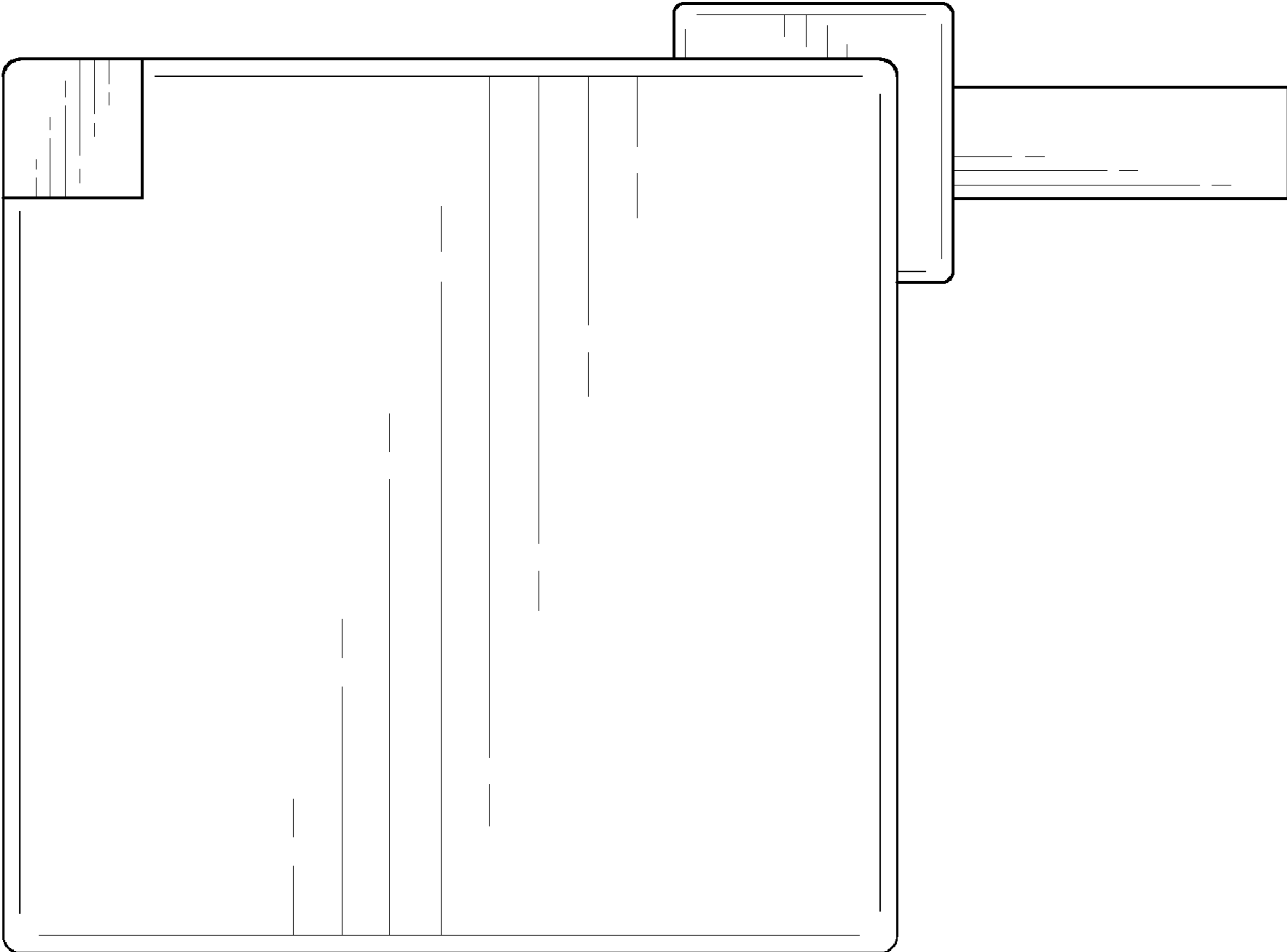


Fig. 7