

US00D604929S

(12) **United States Design Patent**
Hartmann

(10) **Patent No.:** **US D604,929 S**

(45) **Date of Patent:** **** Dec. 1, 2009**

(54) **CONFECTIONERY PIECE**

(75) Inventor: **Christoph Hartmann**, Epalinges (CH)

(73) Assignee: **Societe des Produits Nestle S.A.**, Vevey (CH)

(**) Term: **14 Years**

(21) Appl. No.: **29/323,191**

(22) Filed: **Aug. 20, 2008**

(30) **Foreign Application Priority Data**

Feb. 20, 2008 (CH) 134745

(51) **LOC (9) Cl.** **01-01**

(52) **U.S. Cl.** **D1/127**

(58) **Field of Classification Search** D1/100,
D1/101, 121, 127, 128, 130, 199; D21/386;
D24/101, 104; D28/8.1; 426/76, 103, 122,
426/144, 660, 512, 515

See application file for complete search history.

(56) **References Cited**

U.S. PATENT DOCUMENTS

D115,560 S * 7/1939 Kruger D3/269
2,769,485 A * 11/1956 Shapiro 297/452.32
2,880,428 A * 4/1959 Forsland 5/636
D209,118 S * 10/1967 Grubs D24/206
3,953,072 A * 4/1976 Esquivel 5/653
4,431,232 A * 2/1984 Hannouche 297/452.32

D276,938 S * 12/1984 Pedersen D24/183
D279,642 S * 7/1985 Ross D6/596
D289,481 S * 4/1987 Reddick D6/601
D289,482 S * 4/1987 Reddick D6/601
D295,226 S * 4/1988 Ito D1/125
4,803,743 A * 2/1989 Greenawalt 5/636
D321,760 S * 11/1991 Carney D24/190
D341,567 S * 11/1993 Acker et al. D13/110
5,297,848 A * 3/1994 Grinnell 297/219.1
5,474,513 A * 12/1995 Carlesimo et al. 482/140
D410,744 S * 6/1999 Banister D24/183
6,704,957 B2 * 3/2004 Rhodes 5/637
D573,661 S * 7/2008 Golad D21/386
2006/0068064 A1 * 3/2006 Richards 426/130

* cited by examiner

Primary Examiner—Cathron C Brooks

Assistant Examiner—Barbara Fox

(74) *Attorney, Agent, or Firm*—K&L Gates LLP

(57) **CLAIM**

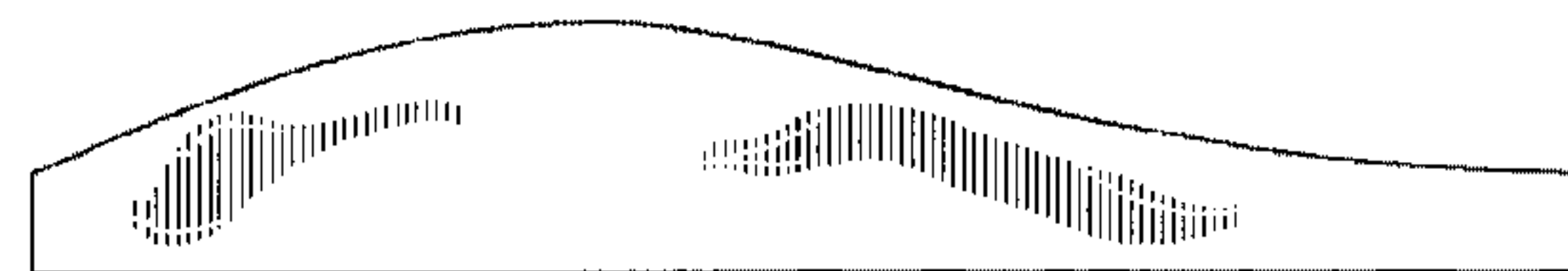
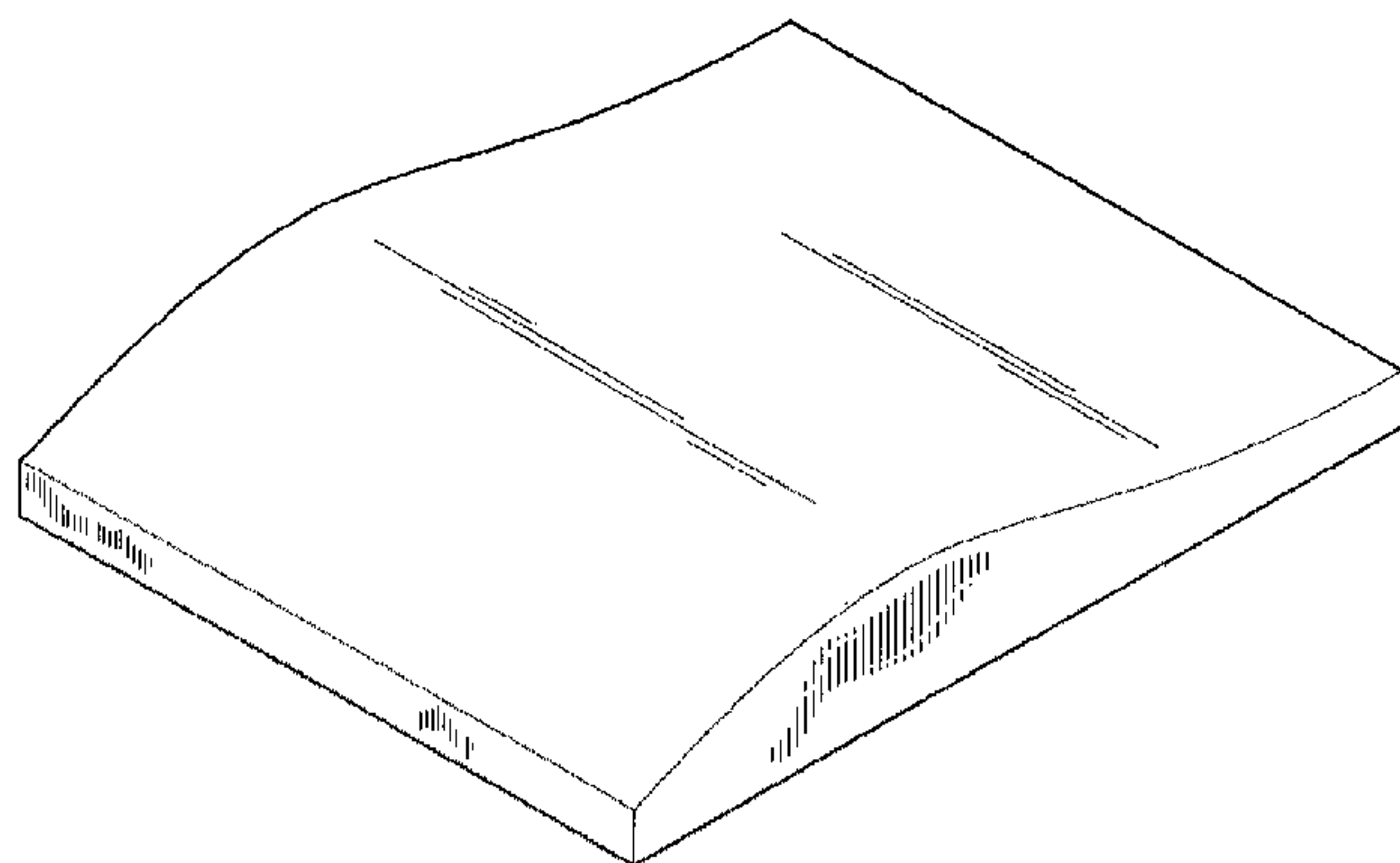
The ornamental design for a confectionery piece, as shown and described herein.

DESCRIPTION

FIG. 1 illustrates a front right perspective view of the confectionery piece; and,

FIG. 2 illustrates a right side elevation view of the confectionery piece of FIG. 1, wherein the left side elevation view is a mirror image of this view.

1 Claim, 1 Drawing Sheet



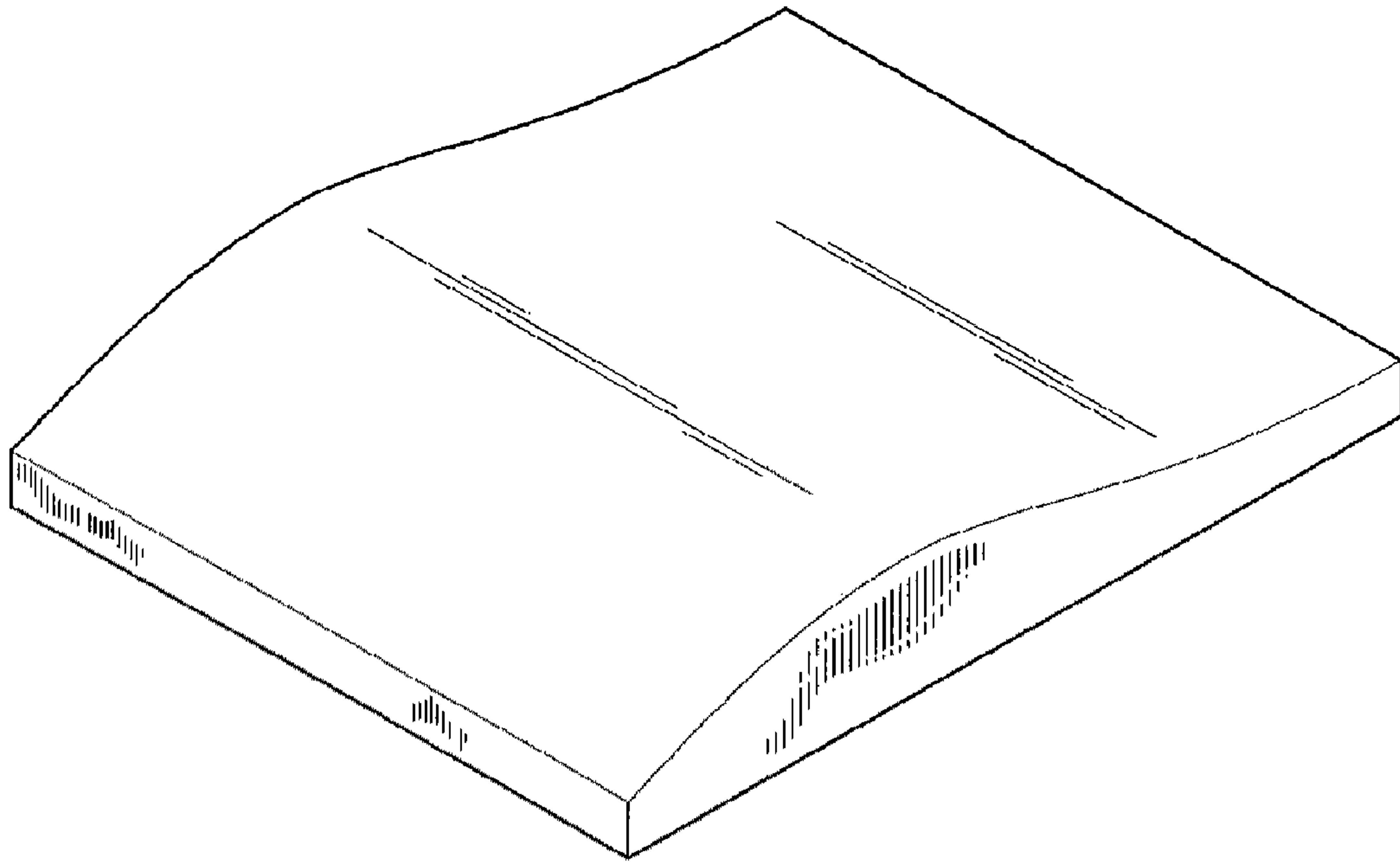


FIG. 1

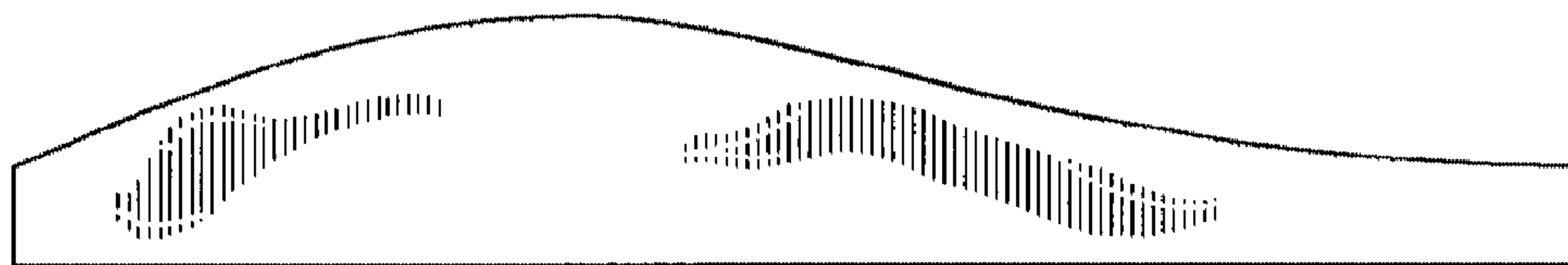


FIG. 2