



US00D604926S

(12) **United States Design Patent**
Colman et al.

(10) **Patent No.:** **US D604,926 S**

(45) **Date of Patent:** **** *Dec. 1, 2009**

(54) **DUAL COLORED CHEWING GUM**

(75) Inventors: **Arne Benjamin Colman**, Newark (GB);
Christopher Raymond Eagleton,
Prestwood (GB); **Marc Paul Lorenzi**,
Egham (GB); **Matthew John Masters**,
Ottershaw (GB)

(73) Assignee: **The Procter & Gamble Company**,
Cincinnati, OH (US)

(*) Notice: This patent is subject to a terminal disclaimer.

(**) Term: **14 Years**

(21) Appl. No.: **29/301,039**

(22) Filed: **Feb. 7, 2008**

(51) **LOC (9) Cl.** **01-01**

(52) **U.S. Cl.** **D1/106**

(58) **Field of Classification Search** D1/100-101,
D1/104, 106, 121, 125, 127-128, 199; D21/386;
D24/101, 104; D28/8.1; 426/76, 87, 103,
426/104, 122, 144, 660, 512, 515, 383
See application file for complete search history.

(56) **References Cited**

U.S. PATENT DOCUMENTS

D250,880	S	*	1/1979	Stone et al.	D9/707
D269,712	S	*	7/1983	Tovey	D24/101
D269,722	S	*	7/1983	Tovey	D24/101
D269,723	S	*	7/1983	Tovey	D24/101
D271,536	S	*	11/1983	Siecke	D1/127
D286,085	S	*	10/1986	Tovey	D24/101
D310,440	S	*	9/1990	Puglisi et al.	D1/127
D314,855	S	*	2/1991	Puglisi et al.	D1/127
D316,760	S	*	5/1991	Golden et al.	D28/4
D318,558	S	*	7/1991	Piano	D1/127
D365,875	S	*	1/1996	Bradbury et al.	D24/101
D405,879	S	*	2/1999	Leonard	D24/101
D437,671	S	*	2/2001	Fajerstein	D1/106
D444,914	S	*	7/2001	Friesenhahn	D28/8.1
D465,303	S	*	11/2002	Friesenhahn	D28/8.1

D468,861	S	*	1/2003	Kosub	D28/8.1
D474,857	S	*	5/2003	McLeish	D28/8.1
D506,591	S	*	6/2005	Lee	D1/127
D535,741	S	*	1/2007	Stawski et al.	D24/101
D556,946	S	*	12/2007	Seum et al.	D28/8.1
D556,947	S	*	12/2007	Seum et al.	D28/8.1
D578,729	S	*	10/2008	Lee et al.	D1/127
D580,547	S	*	11/2008	Lolis et al.	D24/101

FOREIGN PATENT DOCUMENTS

DE 0M9805618.0005 2/1999

(Continued)

OTHER PUBLICATIONS

<http://www.chiclemascaramelo.com/>.

Primary Examiner—Cathron C Brooks

Assistant Examiner—Barbara Fox

(74) *Attorney, Agent, or Firm*—Cynthia L. Clay; Kelly L. McDow; Karen F. Clark

(57) **CLAIM**

The ornamental design for a dual colored chewing gum, as shown and described

DESCRIPTION

The application file contains at least one drawing executed in color. Copies of this patent or patent application publication with color drawing(s) will be provided by the Office upon request and payment of the necessary fee.

FIG. 1 is a front perspective view of a dual colored chewing gum showing our new design;

FIG. 2 is a front elevational view thereof;

FIG. 3 is a rear elevational view thereof;

FIG. 4 is a left side elevational view thereof;

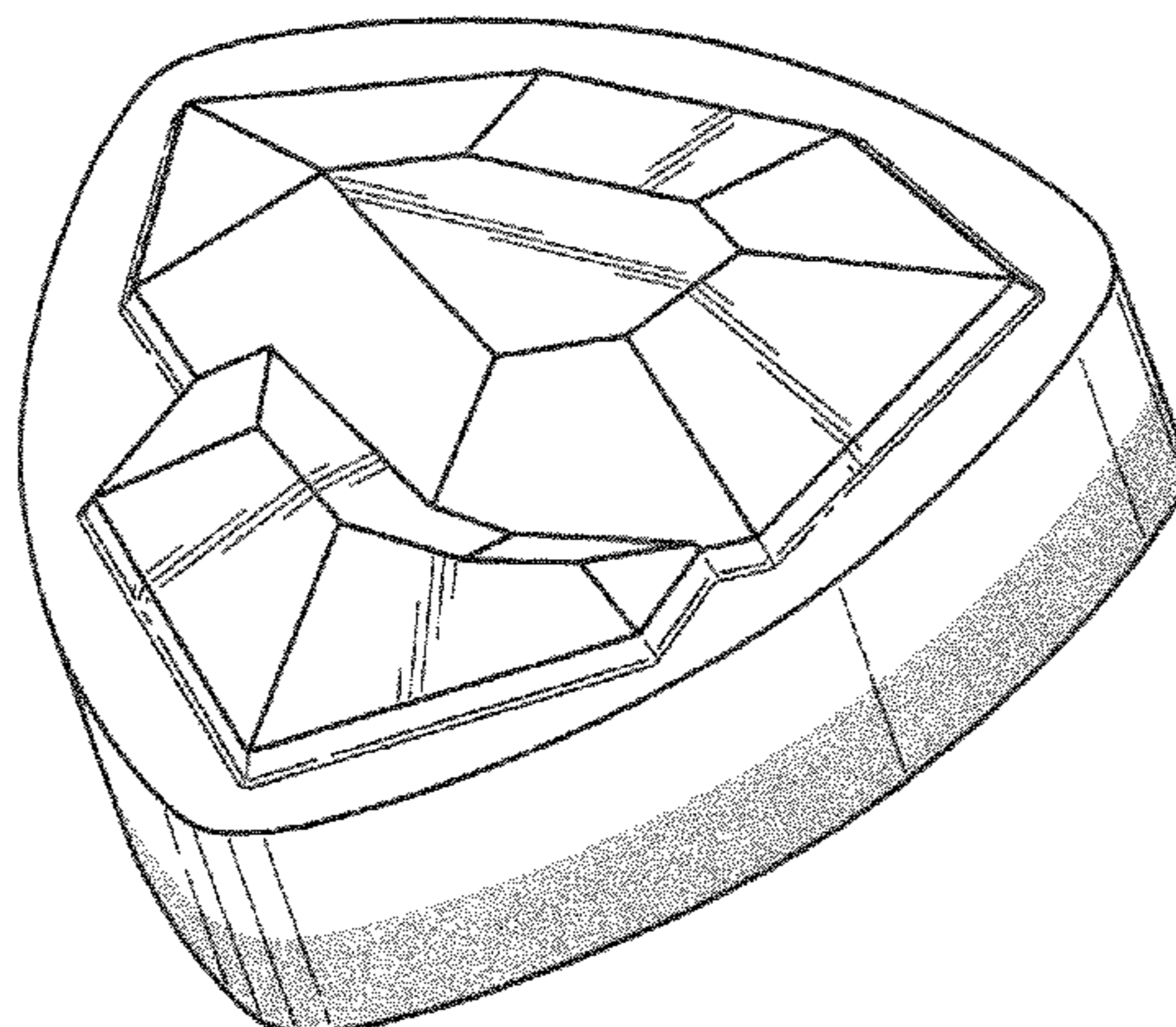
FIG. 5 is a right side elevational view thereof;

FIG. 6 is a top plan view thereof; and,

FIG. 7 is a bottom plan view thereof.

The dual colored chewing gum in the drawings are in colors. The dual colors being white and blue.

1 Claim, 3 Drawing Sheets
(3 of 3 Drawing Sheet(s) Filed in Color)



US D604,926 S

Page 2

FOREIGN PATENT DOCUMENTS					
			EM	000658927.0011	2/2007
			EM	000658927.0012	2/2007
			EM	000658927.0013	2/2007
			EM	000658927.0015	2/2007
			EM	000658927.0017	2/2007
			EM	000658927.0018	2/2007
			EM	000658927.0019	2/2007
			EM	000658927.0020	2/2007
			ES	000504914.0003	11/2007
			GB	002072288	5/1998
			GB	002097168	12/2000
			WO	WO 00/29732	7/1994
			WO	WO 00/060271	7/2002
			* cited by examiner		
DE	0M9805618.0006	2/1999			
DE	0M9805618.0008	2/1999			
DE	0M9805618.0009	2/1999			
EM	000421888.004	1/2006			
EM	000658297.0006	2/2007			
EM	000658927.0002	2/2007			
EM	000658927.0003	2/2007			
EM	000658927.0005	2/2007			
EM	000658927.0007	2/2007			
EM	000658927.0008	2/2007			
EM	000658927.0009	2/2007			
EM	000658927.0010	2/2007			

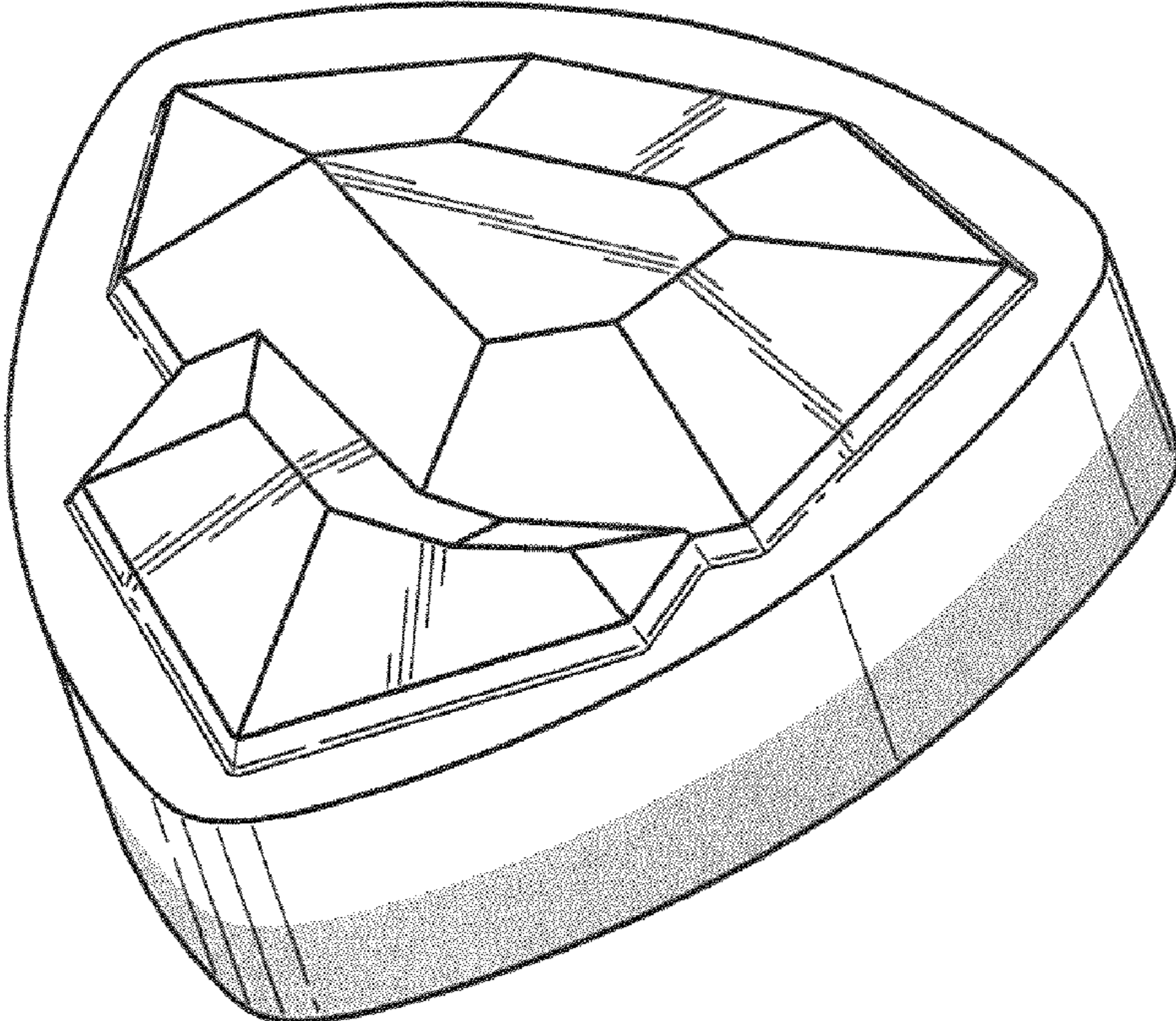


Fig.1.

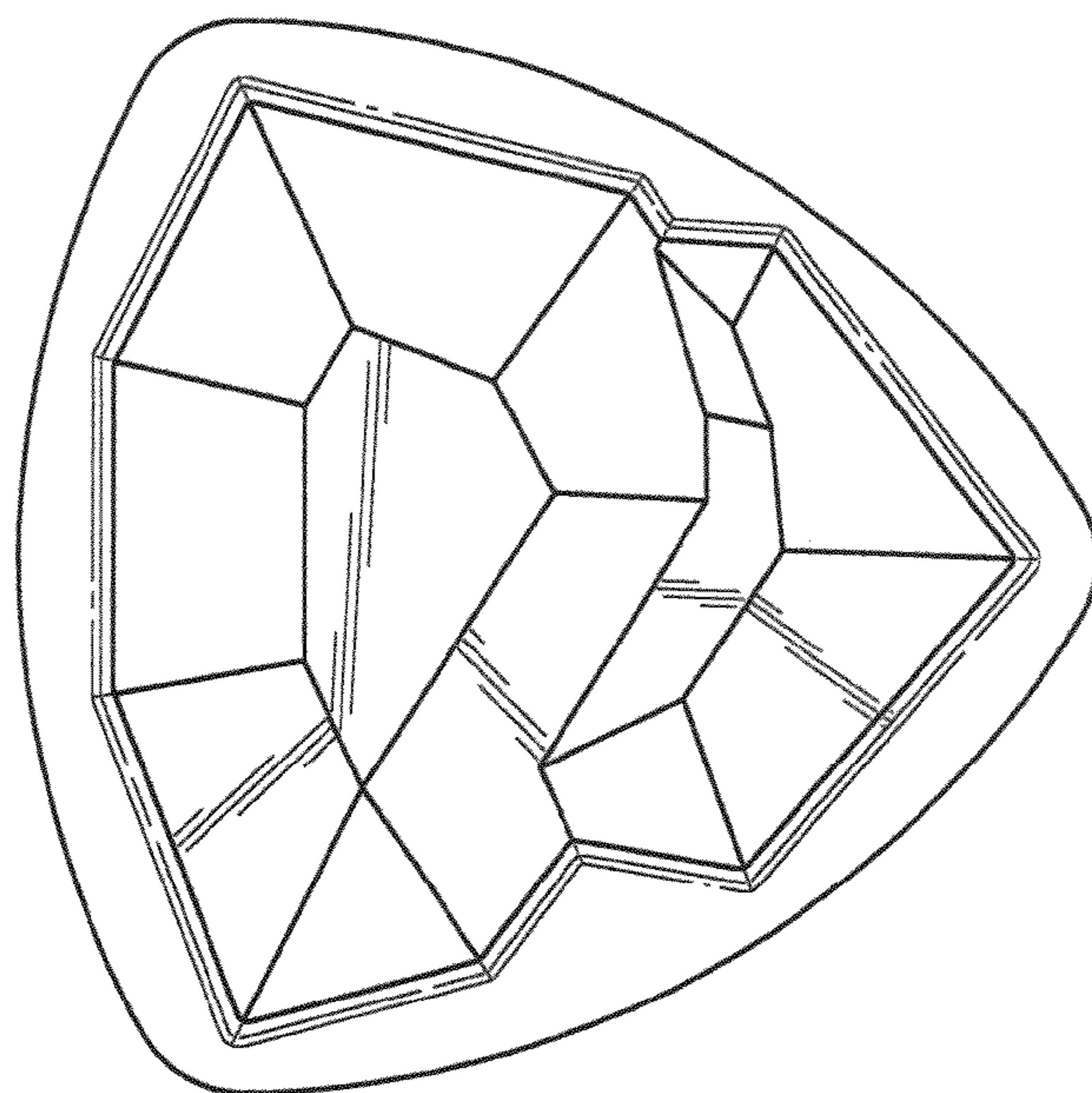


Fig.2.

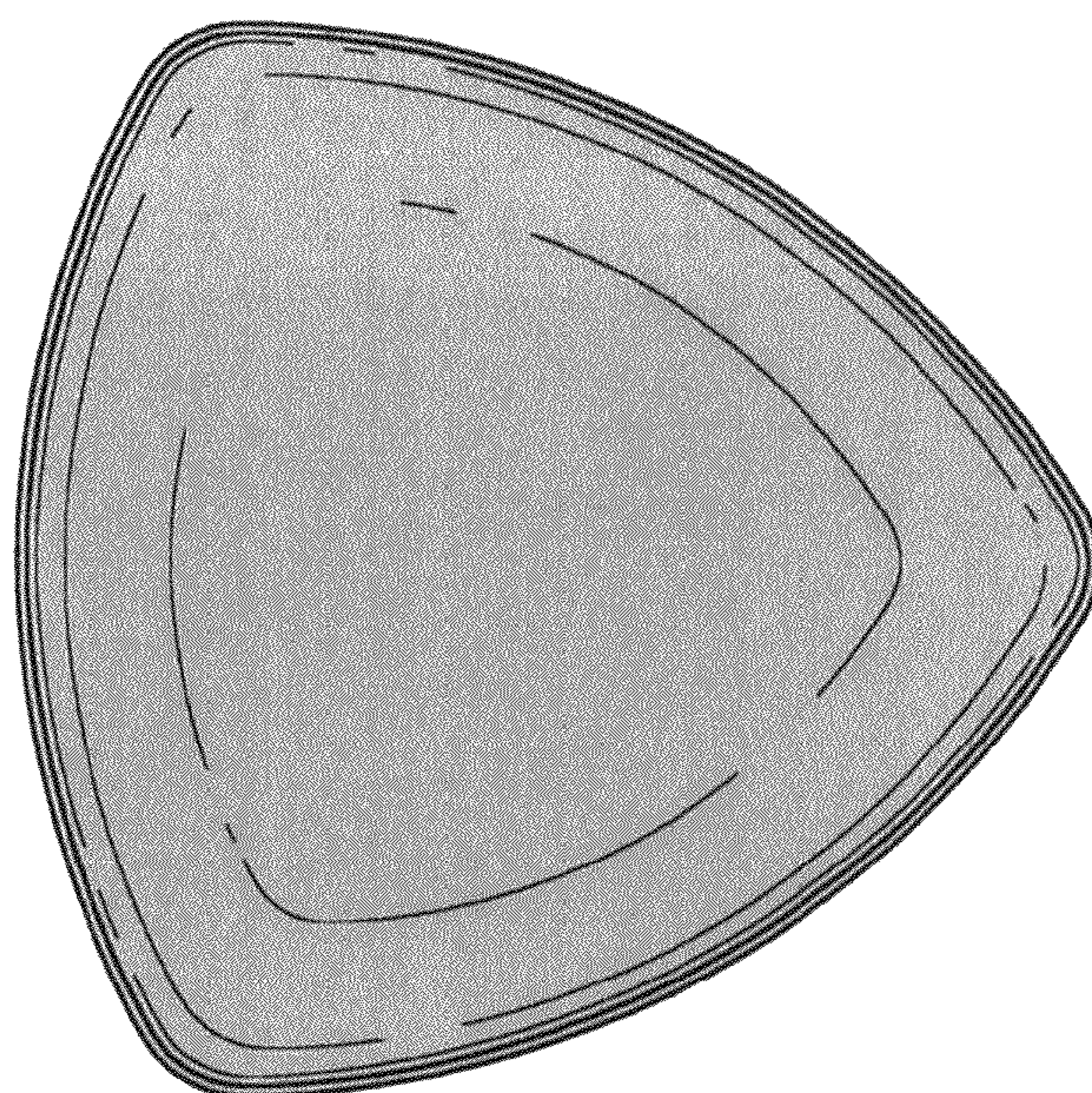


Fig.3.

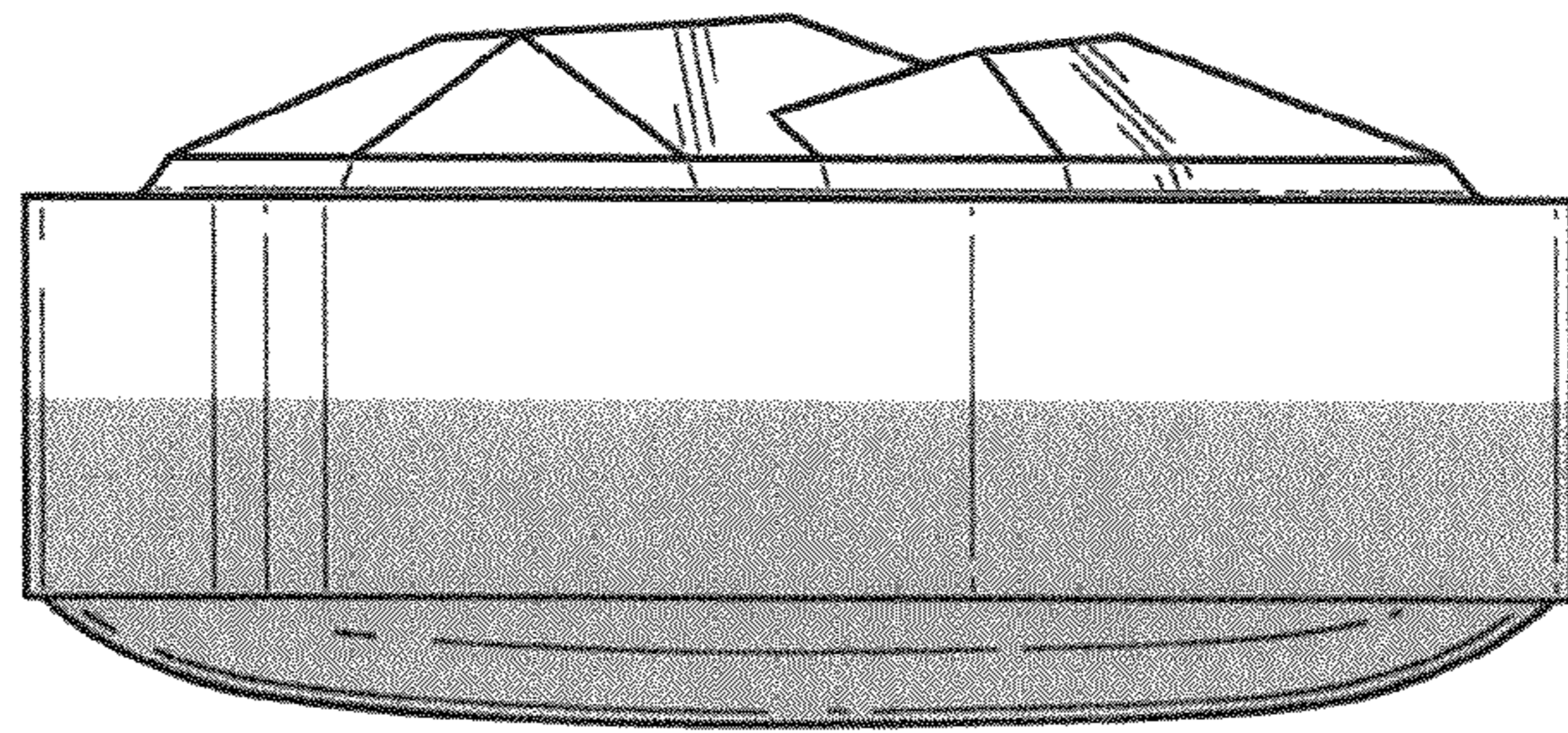


Fig.4.

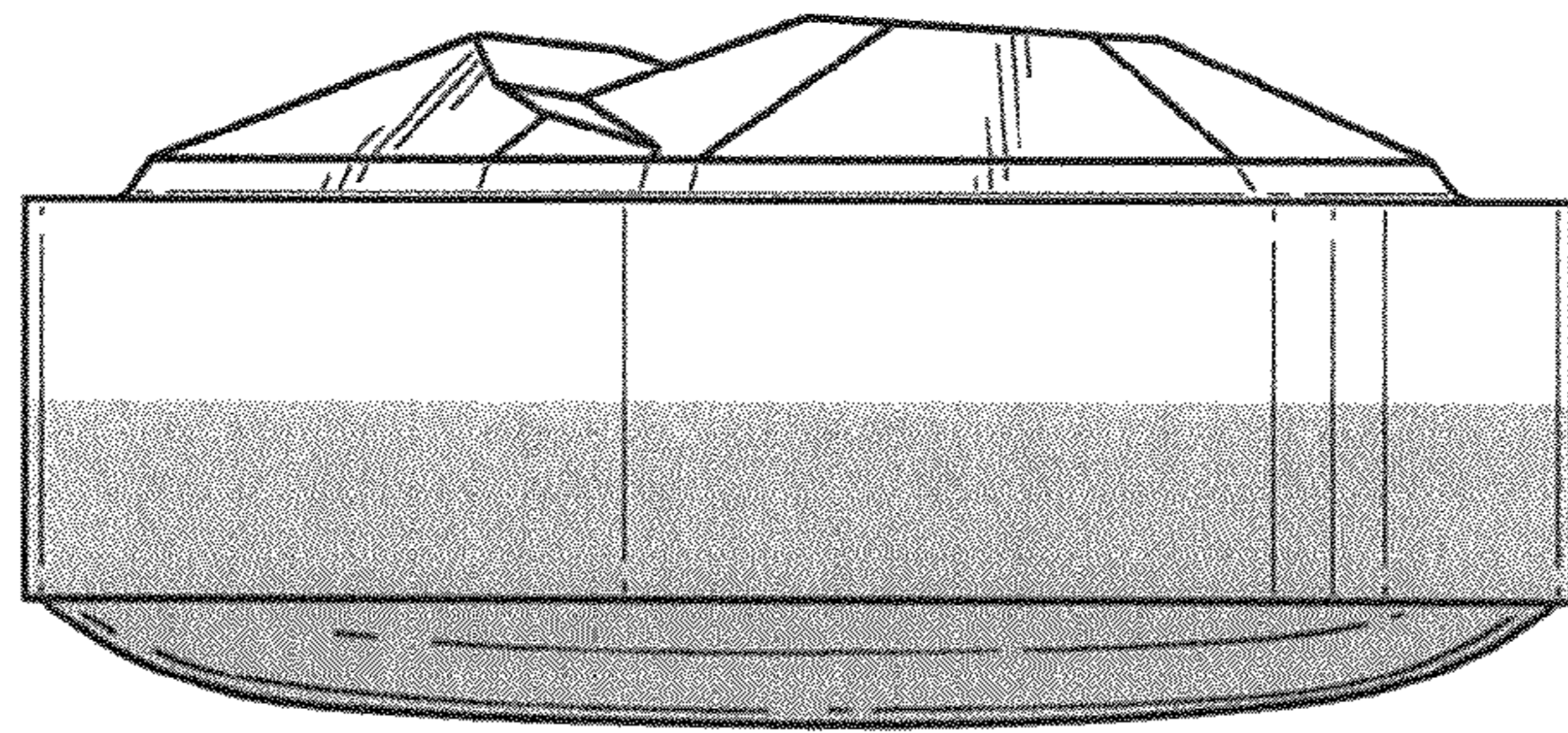


Fig.5.

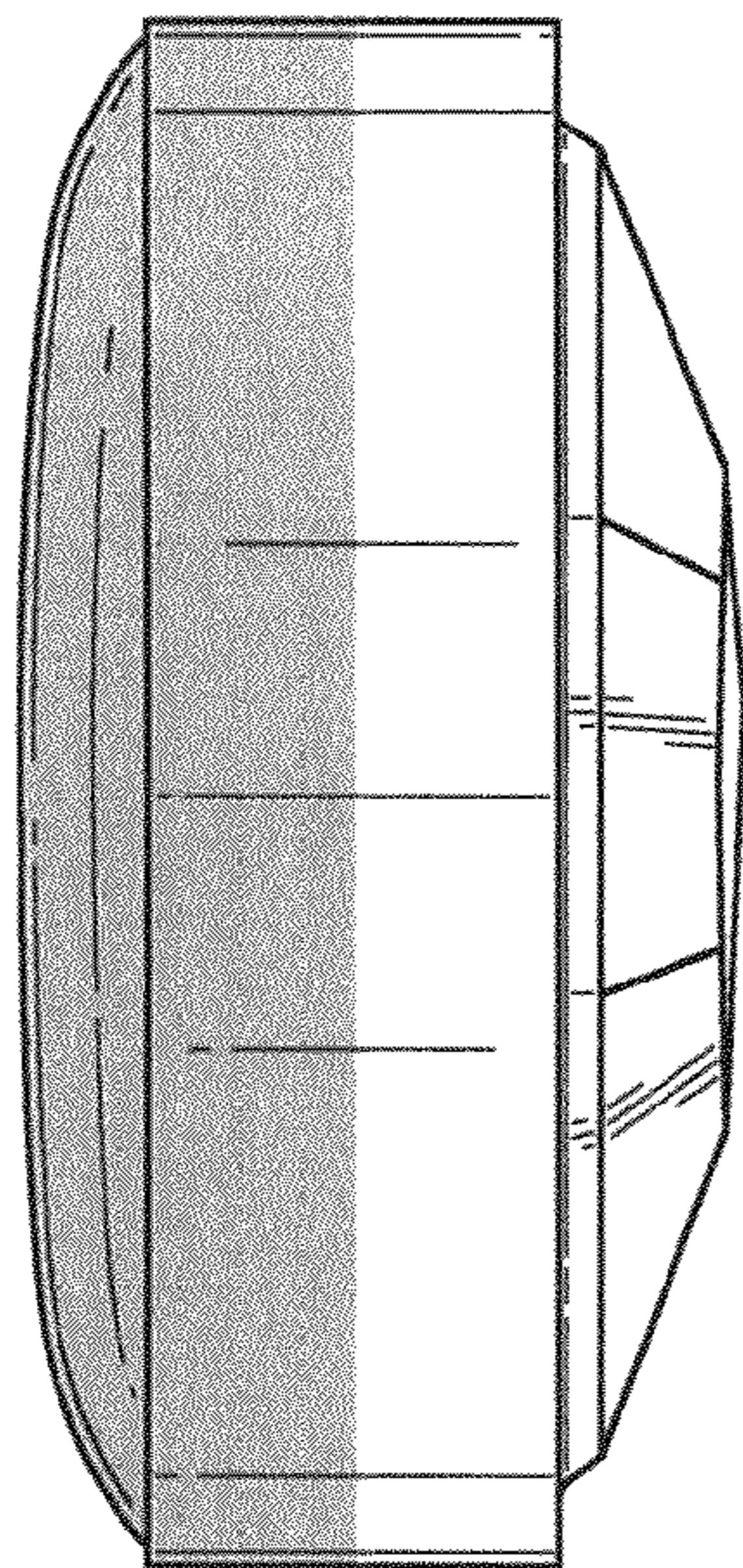


Fig.6.

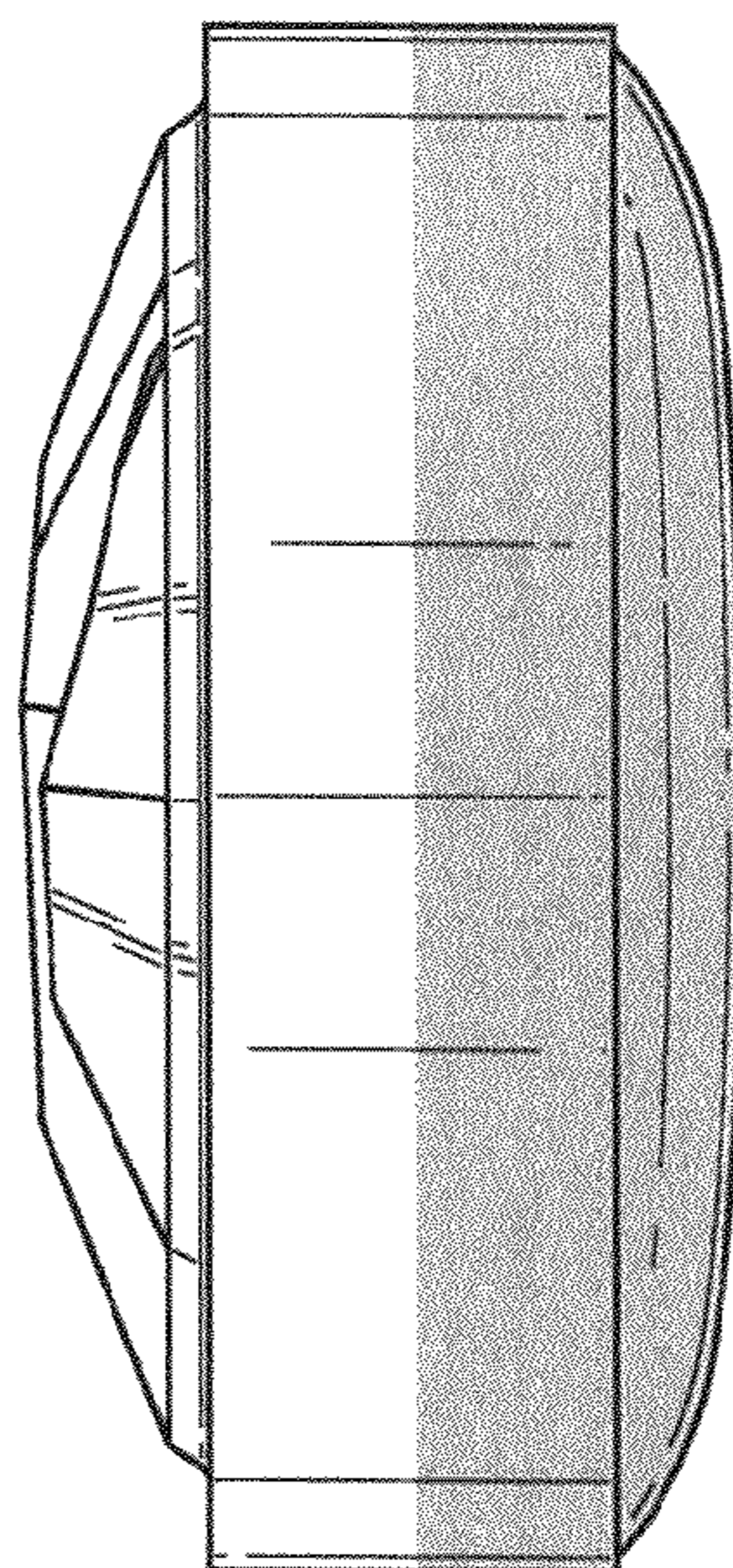


Fig.7.