



US00D604921S

(12) **United States Design Patent**
Presnell

(10) **Patent No.:** **US D604,921 S**

(45) **Date of Patent:** **** Nov. 24, 2009**

(54) **RECYCLE BOX**

D521,203 S * 5/2006 Sofy et al. D34/1
D596,857 S * 7/2009 Ahlgrim et al. D3/307

(75) Inventor: **Donald Presnell**, Stephens City, VA
(US)

* cited by examiner

(73) Assignee: **Rubbermaid Commercial Products, LLC**, Winchester, VA (US)

Primary Examiner—Cynthia E Ramirez
(74) *Attorney, Agent, or Firm*—Dennis J. Williamson; Moore & Van Allen, PLLC

(**) Term: **14 Years**

(57) **CLAIM**

(21) Appl. No.: **29/332,243**

I claim the ornamental design for a recycle box, as shown and described.

(22) Filed: **Feb. 11, 2009**

(51) **LOC (9) Cl.** **09-09**

(52) **U.S. Cl.** **D34/1; D3/312**

(58) **Field of Classification Search** D34/1;
220/23.6, 380, 908, 908.1; 206/203, 508,
206/501; D7/601, 603, 605; D3/307, 312
See application file for complete search history.

DESCRIPTION

FIG. 1 is a front view showing my new design for a recycle box, the back view being identical;

FIG. 2 is a left view showing my new design shown in FIG. 1, the right side view being identical;

FIG. 3 is a perspective view showing my new design shown in FIG. 1;

FIG. 4 is a top view showing my new design shown in FIG. 1; and,

FIG. 5 is a bottom view showing my new design shown in FIG. 1.

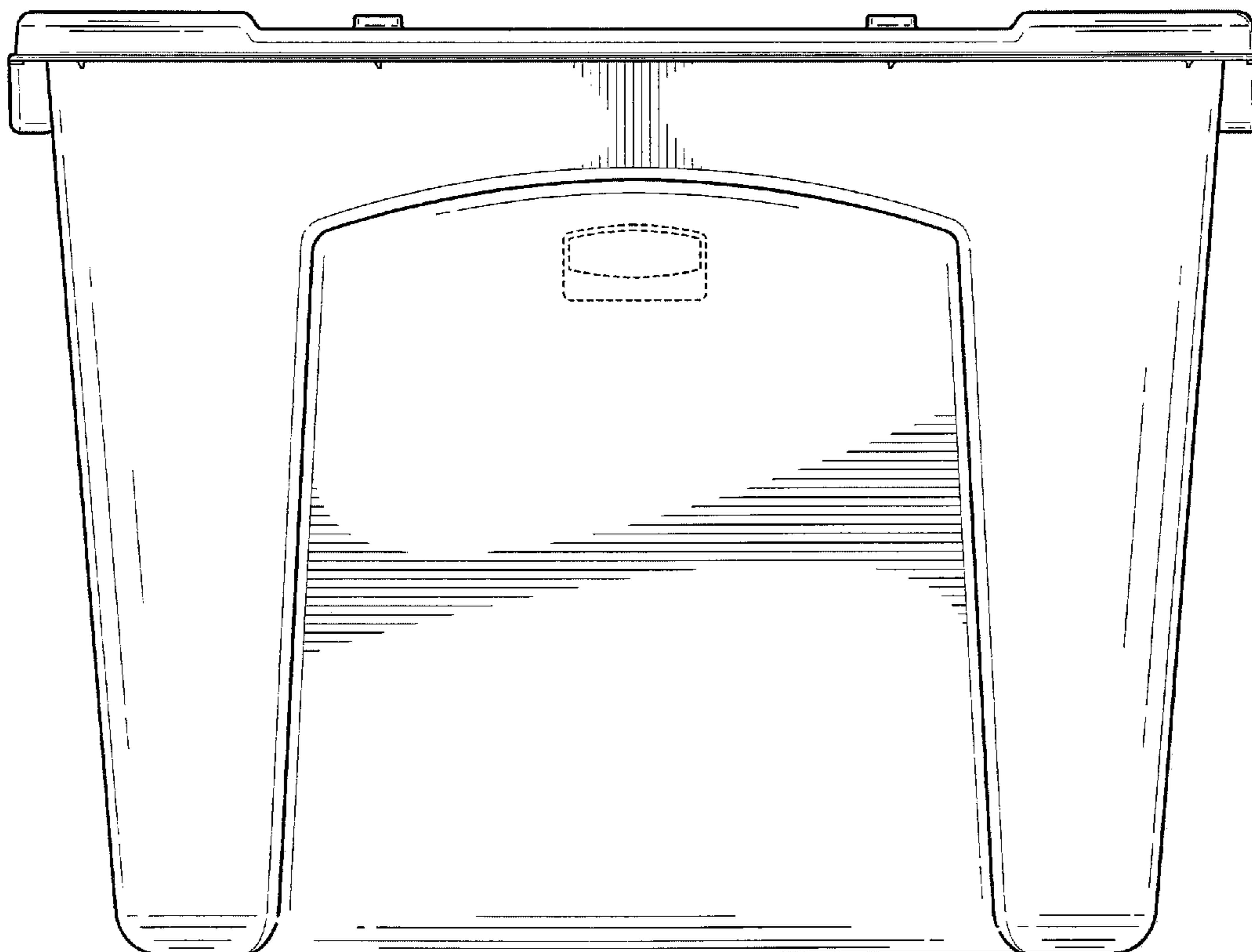
The purpose of broken lines in the drawing is to show environmental structure that forms no part of the patented design.

(56) **References Cited**

U.S. PATENT DOCUMENTS

- D326,345 S * 5/1992 Mandell et al. D3/312
- D327,555 S * 6/1992 Juergens D34/1
- D357,120 S * 4/1995 Miller D3/312
- D358,327 S * 5/1995 Tomasello D9/424
- D387,530 S * 12/1997 Doxey D34/1
- D404,571 S * 1/1999 Evans D3/312
- D422,767 S * 4/2000 Presser D34/6

1 Claim, 5 Drawing Sheets



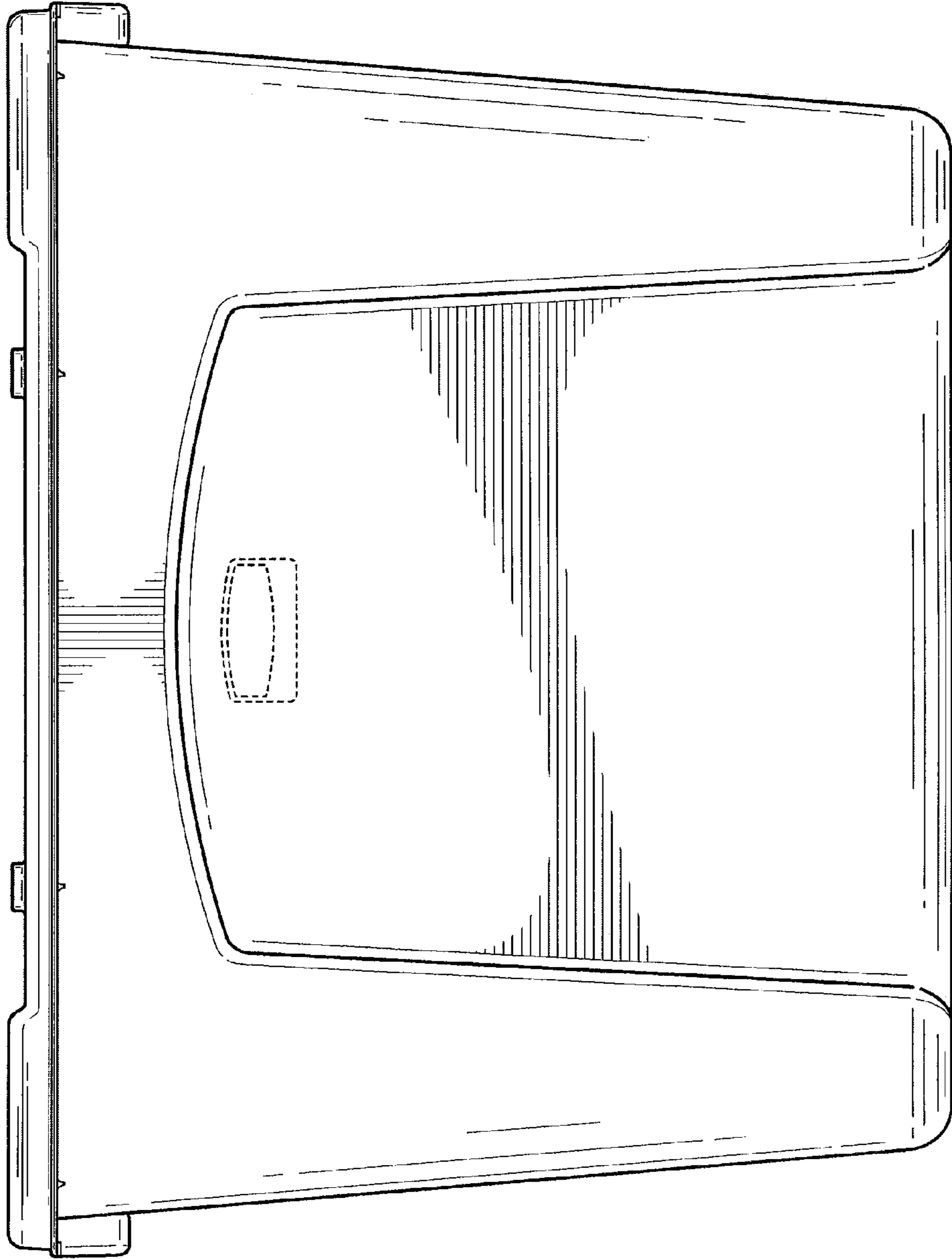


FIG. 7

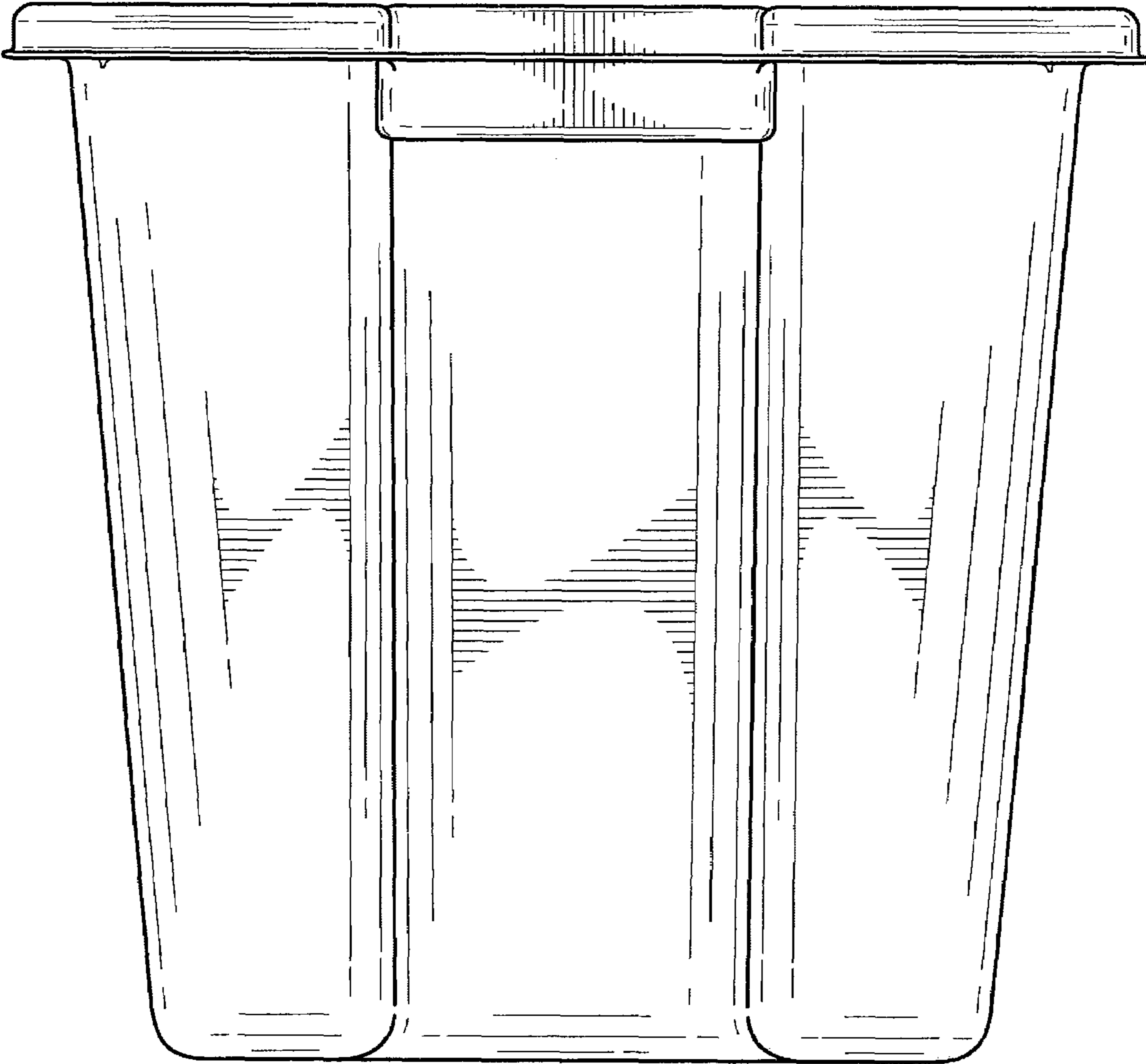


FIG. 2

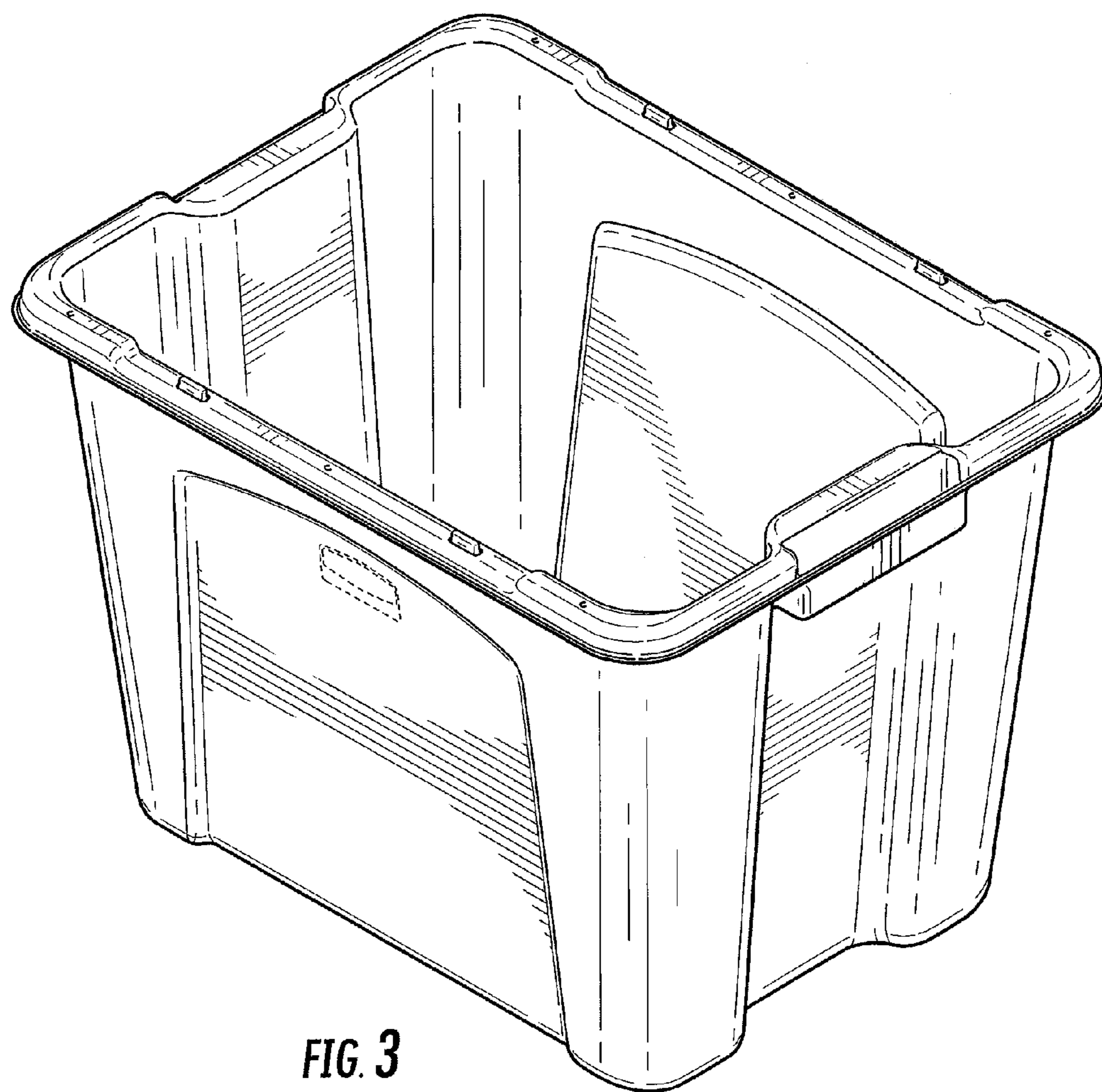


FIG. 3

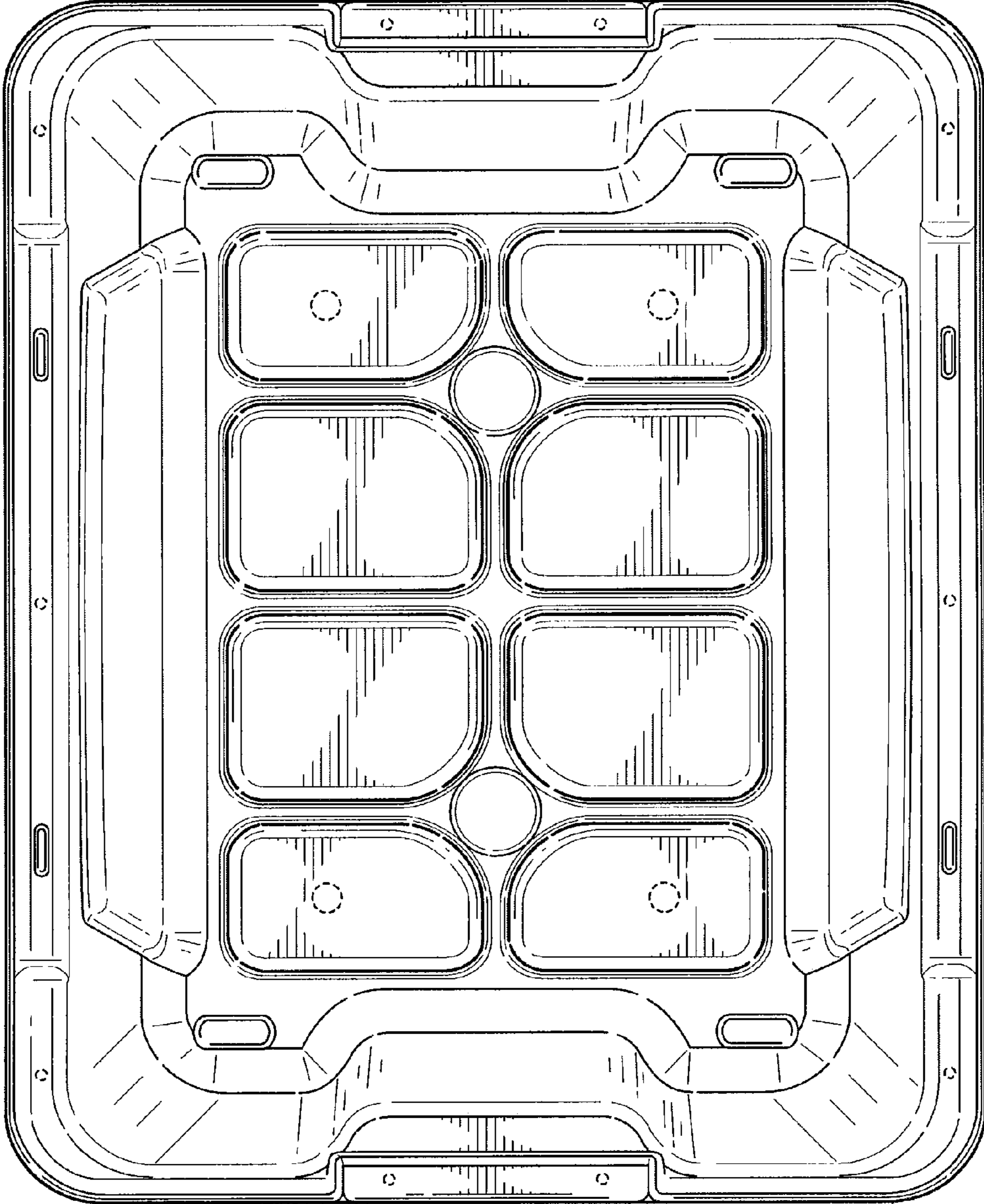


FIG. 4

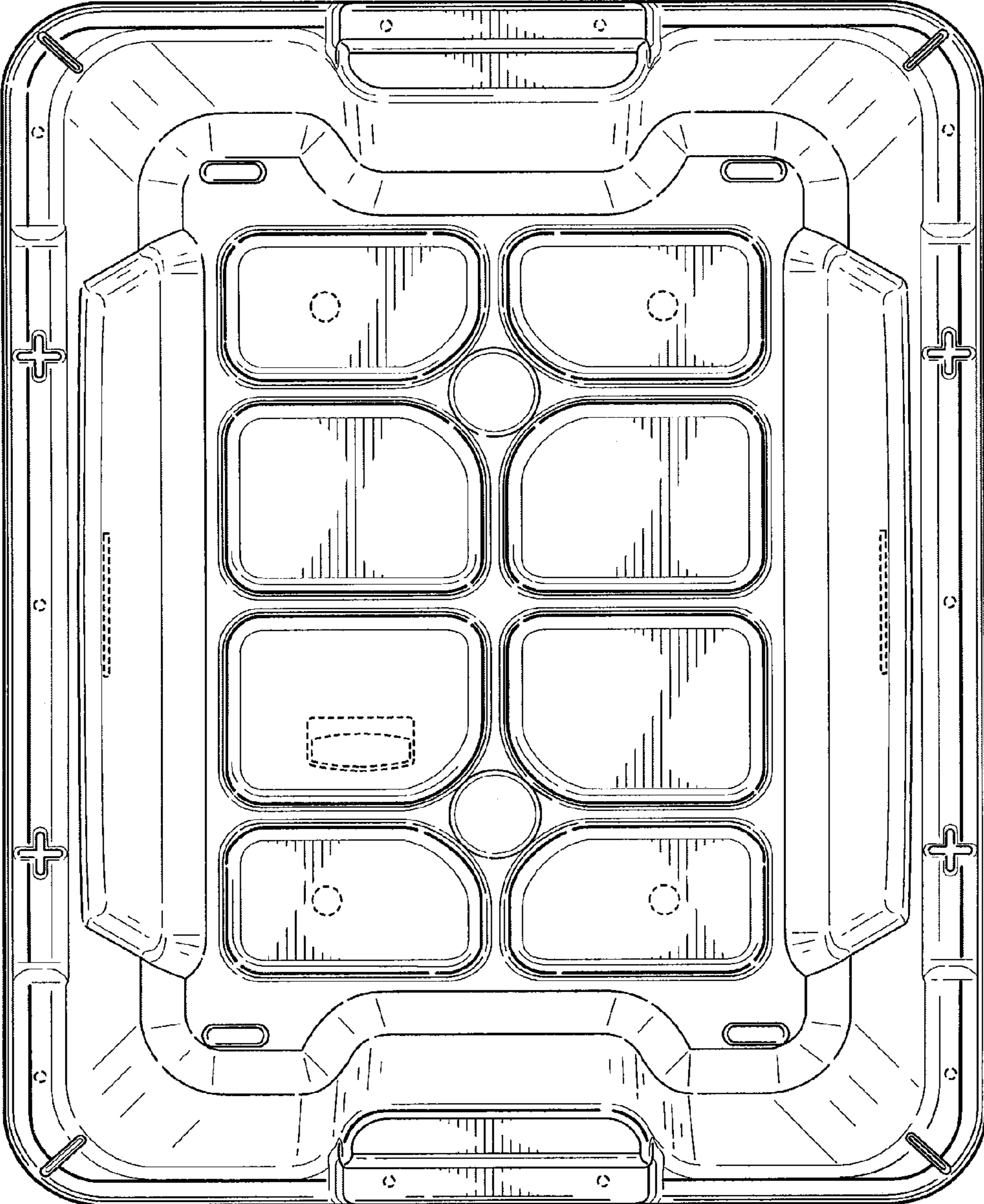


FIG. 5