

US00D604920S

(12) **United States Design Patent**
Bergman

(10) **Patent No.:** **US D604,920 S**

(45) **Date of Patent:** **** Nov. 24, 2009**

(54) **PAINT TRAY**

(75) Inventor: **Mark W. Bergman**, Minnetonka, MN
(US)

(73) Assignee: **Bercom International, LLC**,
Chanhausen, MN (US)

(**) Term: **14 Years**

(21) Appl. No.: **29/332,142**

(22) Filed: **Feb. 10, 2009**

(51) **LOC (9) Cl.** **07-07**

(52) **U.S. Cl.** **D32/53.1**

(58) **Field of Classification Search** D32/53,
D32/53.1, 54; 15/257.01–257.06, 570
See application file for complete search history.

(56) **References Cited**

U.S. PATENT DOCUMENTS

D208,969 S *	10/1967	Paxton	D32/53.1
D211,611 S	7/1968	Fox, Jr. et al.		
3,828,389 A	8/1974	Heisler		
3,947,135 A	3/1976	Hawk		
4,023,702 A	5/1977	McKnight		
4,445,250 A	5/1984	Seidl		
D301,785 S *	6/1989	Goetz	D32/53.1
D302,614 S *	8/1989	Beatty	D32/53.1
5,201,439 A	4/1993	Davies		
6,019,241 A	2/2000	Burns		
D444,604 S	7/2001	Hoffert et al.		
6,622,340 B2	9/2003	Rosa		
6,802,431 B2	10/2004	Schinkel		

D524,501 S	7/2006	Prokop et al.		
D526,748 S	8/2006	Van Skiver		
7,083,044 B1	8/2006	Kilian et al.		
D553,818 S *	10/2007	Moon et al.	D32/53.1
D571,969 S *	6/2008	Byers	D32/53.1
D586,056 S *	2/2009	Shea	D32/53.1
2002/0005409 A1	1/2002	Rosa		
2004/0134917 A1	7/2004	Carnegie		
2006/0124649 A1	6/2006	Campbell		
2006/0225959 A1	10/2006	Pohl		

* cited by examiner

Primary Examiner—Robin V Webster

(74) *Attorney, Agent, or Firm*—Westman, Champlin & Kelly,
P.A.

(57) **CLAIM**

The ornamental design for a paint tray, as shown and described.

DESCRIPTION

FIG. 1 is an isometric view of a first embodiment thereof;

FIG. 2 is a side view thereof, as taken from the left (unseen) side of FIG. 1;

FIG. 3 is a side view thereof, as taken from the right side of FIG. 1 (the side views are mirror images of one another);

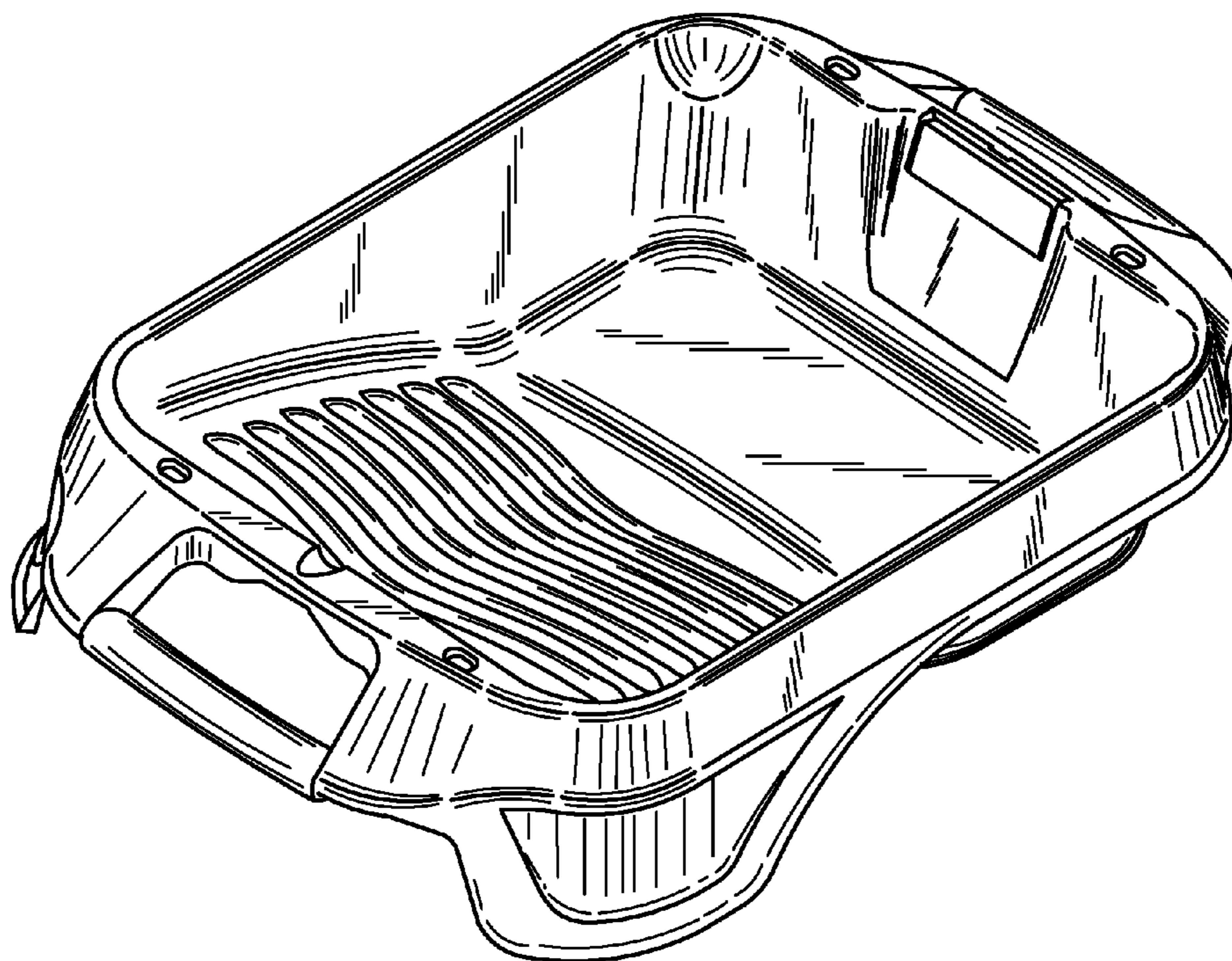
FIG. 4 is a front end view thereof;

FIG. 5 is a rear end view thereof;

FIG. 6 is a top view thereof; and,

FIG. 7 is a bottom view thereof.

1 Claim, 5 Drawing Sheets



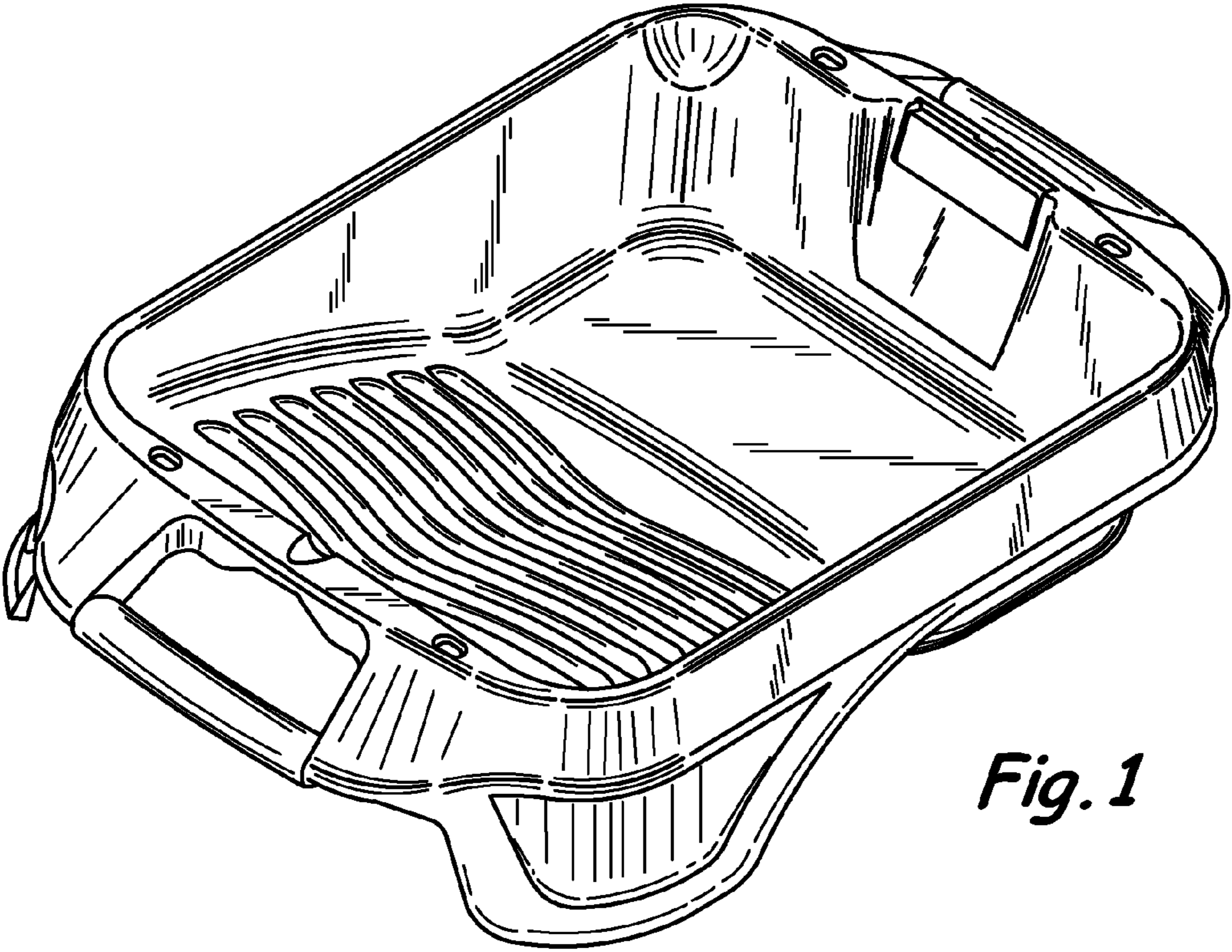


Fig. 1

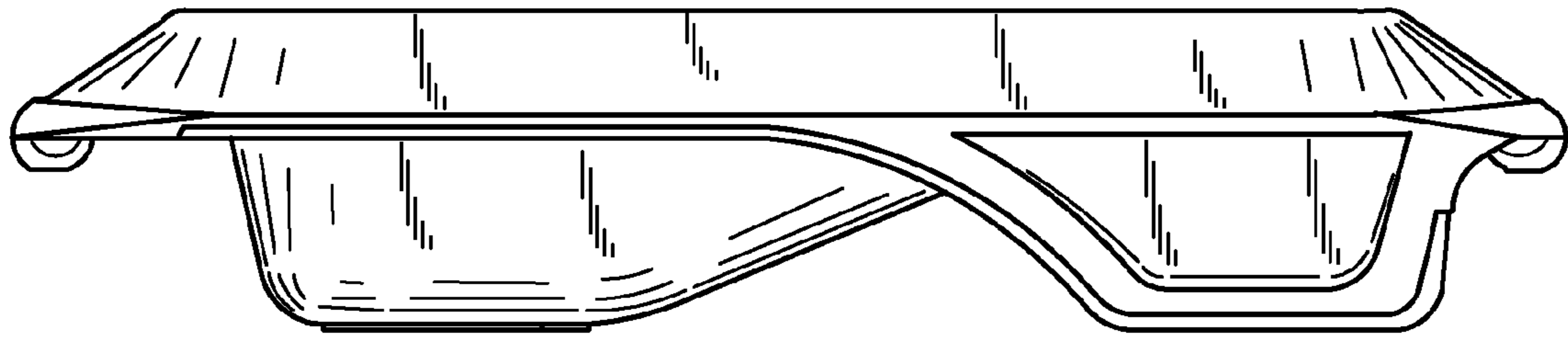


Fig. 2

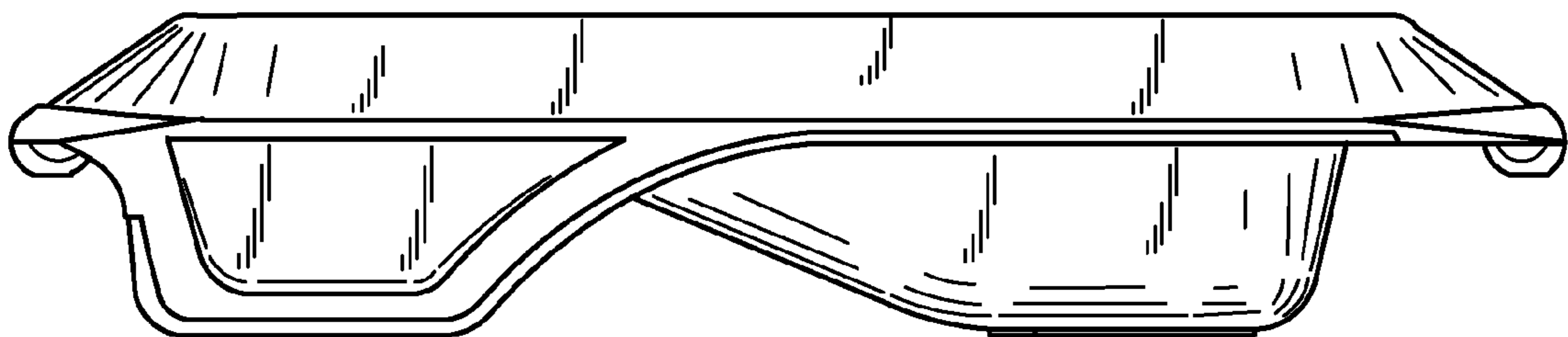


Fig. 3



Fig. 4

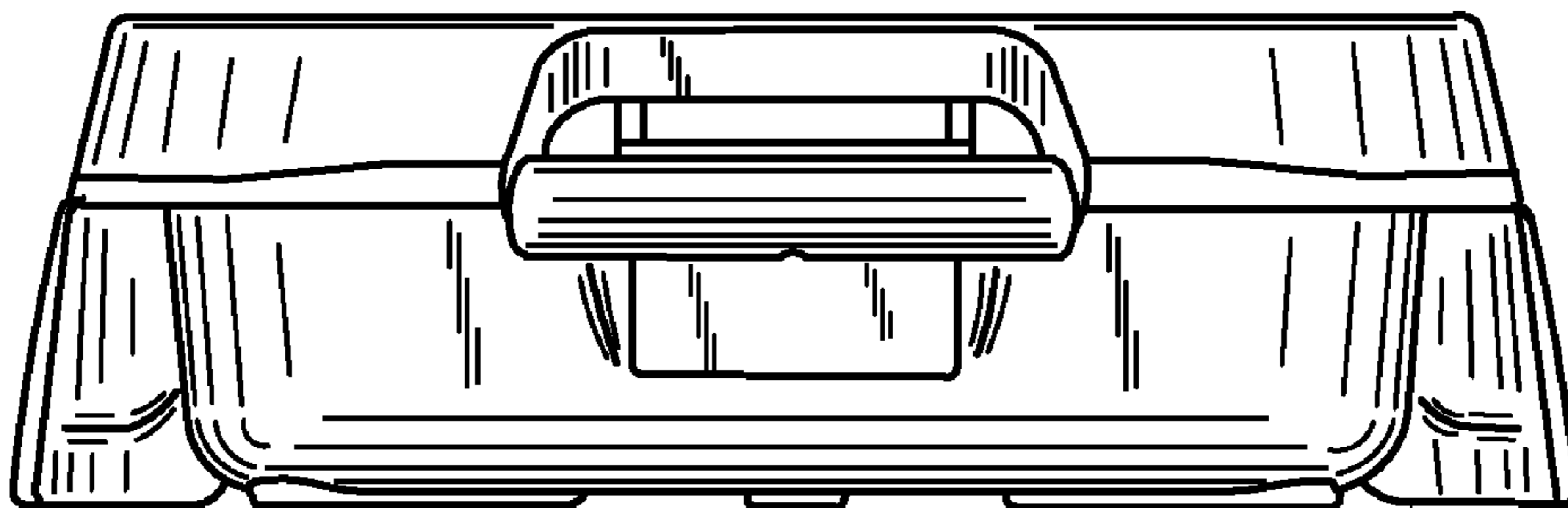


Fig. 5

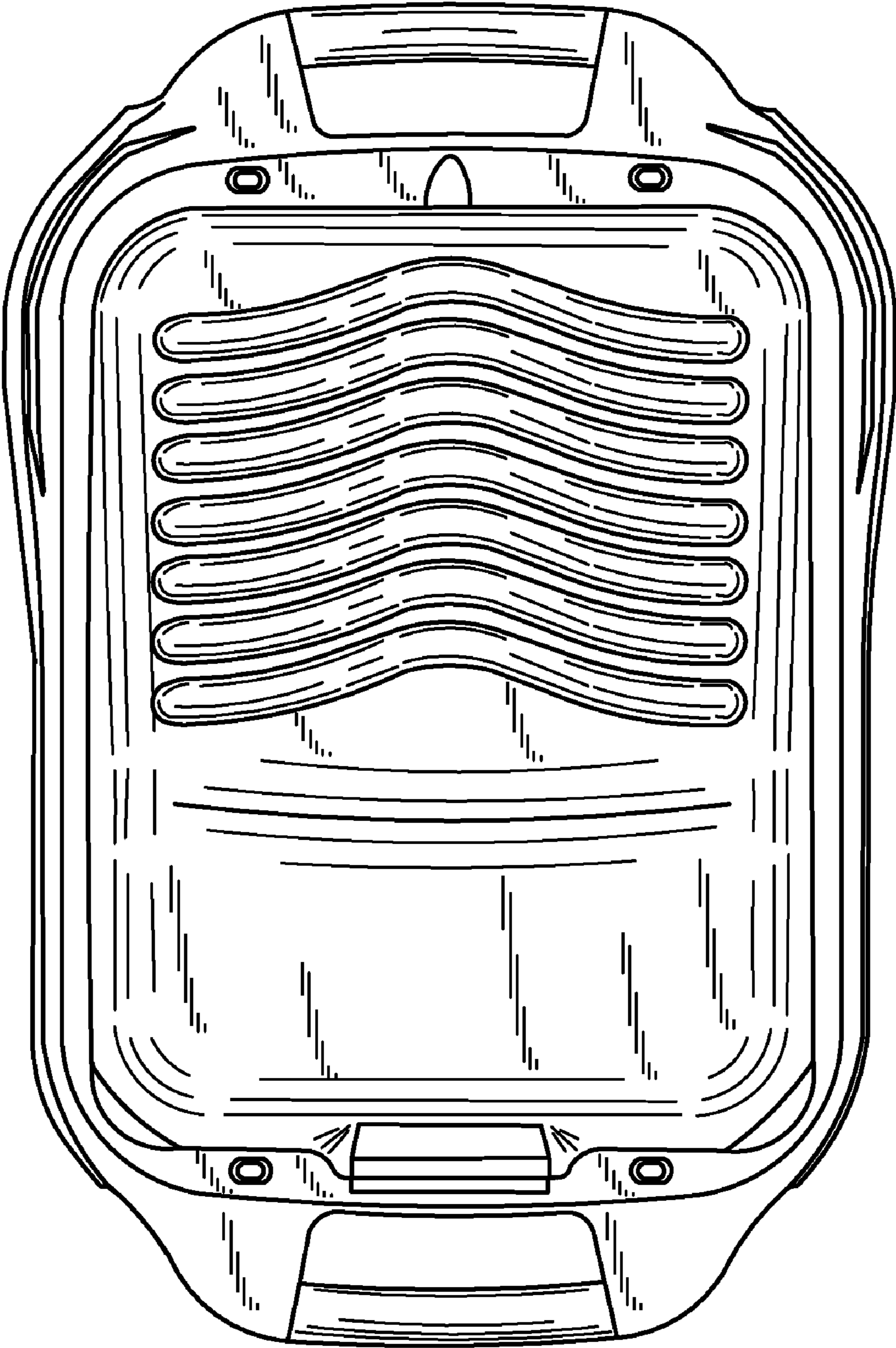


Fig. 6

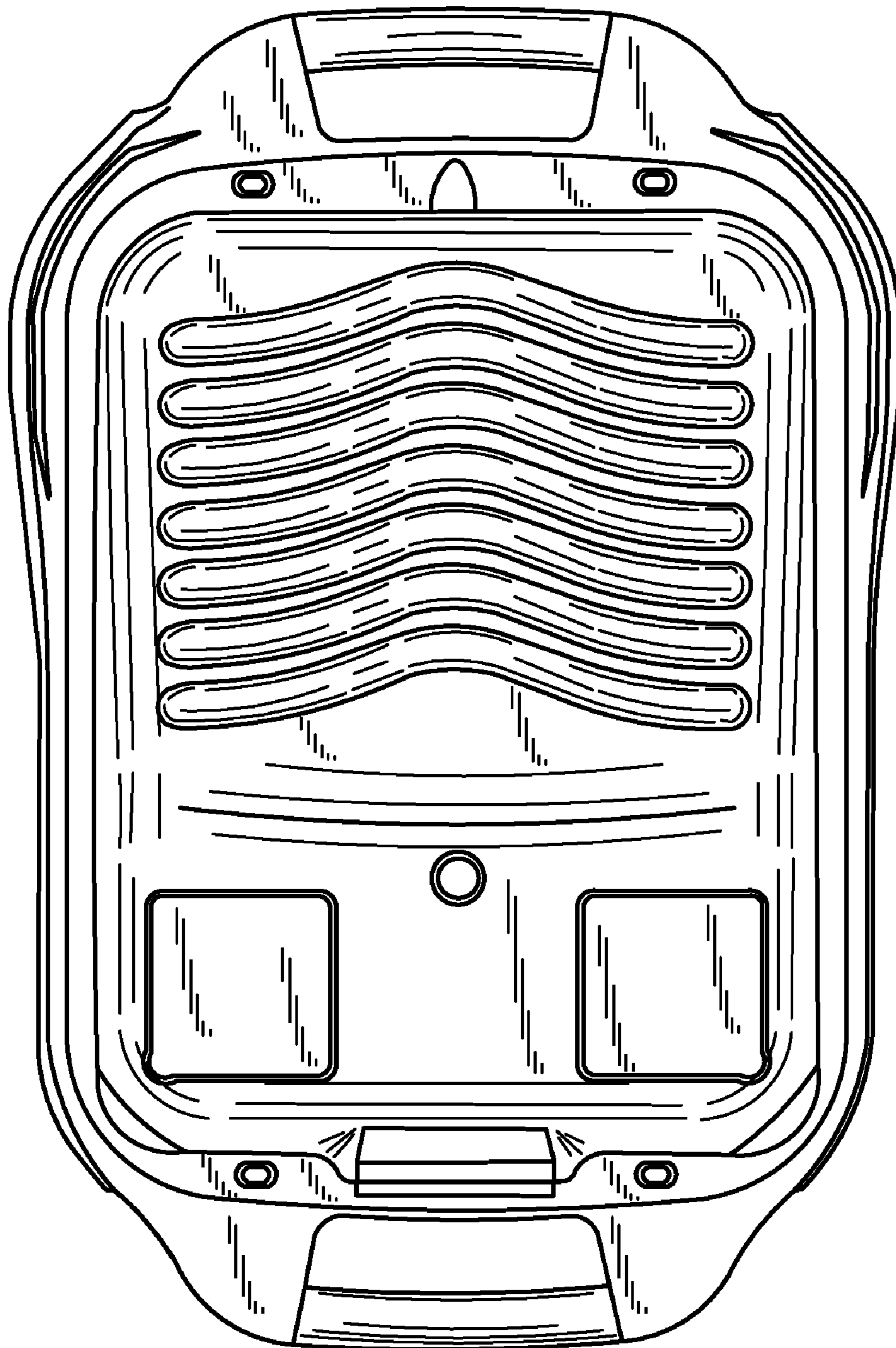


Fig. 7

UNITED STATES PATENT AND TRADEMARK OFFICE
Certificate

Patent No. D. 604,920 S

Patented: November 24, 2009

On petition requesting issuance of a certificate for correction of inventorship pursuant to 35 U.S.C. 256, it has been found that the above identified patent, through error and without any deceptive intent, improperly sets forth the inventorship.

Accordingly, it is hereby certified that the correct inventorship of this patent is: Mark W. Bergman, Minnetonka, MN (US); Christopher M. Bergman, Hopkins, MN (US); Matthew V. Leyden, St. Paul, MN (US); Jeffrey B. Waffensmith, North Oaks, MN (US); and Jeffrey T. Given, St. Paul, MN (US).

Signed and Sealed this Twenty-fifth Day of June 2013.

CATHRON BROOKS
Supervisory Patent Examiner
Art Unit 2911
Technology Center 2900