



US00D604918S

(12) **United States Design Patent**
Thomas et al.

(10) **Patent No.:** **US D604,918 S**
(45) **Date of Patent:** **** Nov. 24, 2009**

(54) **WINDSHIELD CLEANING TOOL**

(76) Inventors: **Rita Thomas**, 840 Franklin St., Ogden,
UT (US) 84403; **Mark Ball**, 840
Franklin St., Ogden, UT (US) 84403

(**) Term: **14 Years**

(21) Appl. No.: **29/325,450**

(22) Filed: **Oct. 1, 2008**

(51) **LOC (9) Cl.** **04-01**

(52) **U.S. Cl.** **D32/40; D32/52**

(58) **Field of Classification Search** D32/35,
D32/40-45, 51, 52; 15/104.93, 104.94, 220.1,
15/244.1-244.4, 245, 208, 209.1

See application file for complete search history.

(56) **References Cited**

U.S. PATENT DOCUMENTS

1,378,243	A *	5/1921	Kracke	15/220.1
2,708,761	A	5/1955	Bergquist		
4,847,938	A	7/1989	Unger		
5,625,918	A *	5/1997	Kieson et al.	15/119.2
5,657,507	A *	8/1997	Wasak	15/220.1
6,044,513	A	4/2000	Penn		

D462,480	S	9/2002	Jones		
6,795,999	B1 *	9/2004	Post et al.	15/220.1
6,901,622	B2	6/2005	Thompson et al.		
6,928,687	B2 *	8/2005	Post et al.	15/220.1
6,973,695	B1	12/2005	Nesler		
7,107,643	B1	9/2006	McKay		
7,231,684	B2 *	6/2007	Post	15/220.1
D553,317	S *	10/2007	Dotterman et al.	D32/40

* cited by examiner

Primary Examiner—Robin V Webster

(74) *Attorney, Agent, or Firm*—Kyle Fletcher

(57) **CLAIM**

The ornamental design for the windshield cleaning tool, as shown and described.

DESCRIPTION

FIG. 1 is a left side view of the windshield cleaning tool.

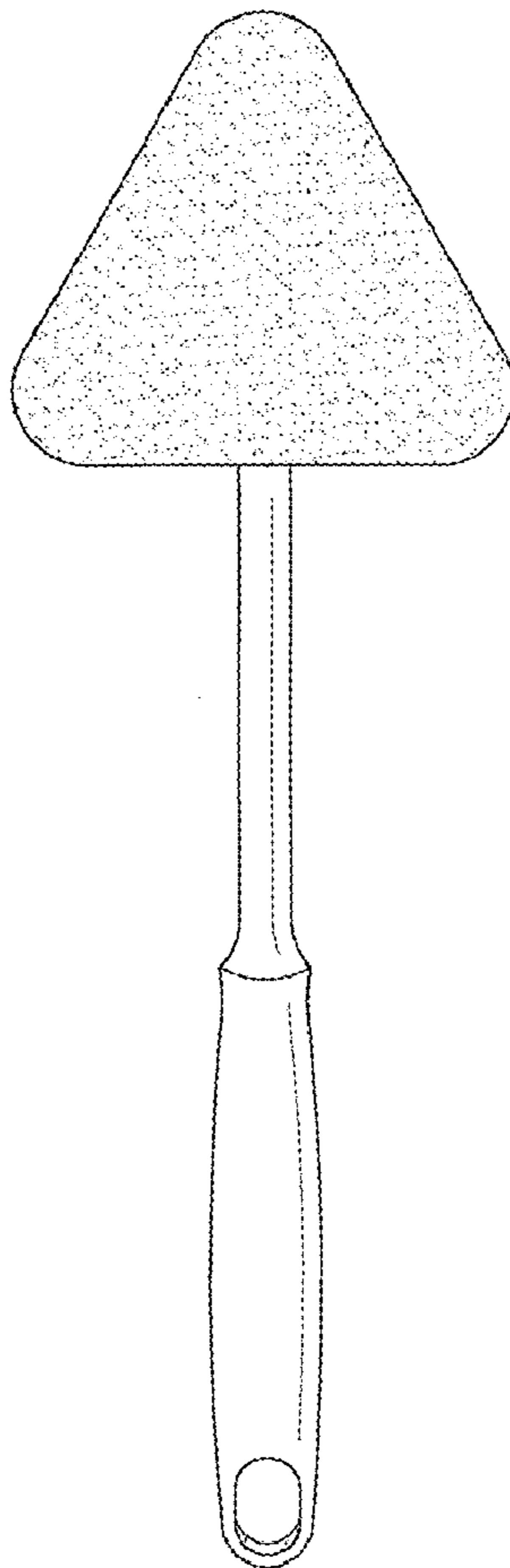
FIG. 2 is a rear view of the device.

FIG. 3 is a front view of the device.

FIG. 4 is a top view of the device; and,

FIG. 5 is a bottom view of the device.

1 Claim, 3 Drawing Sheets



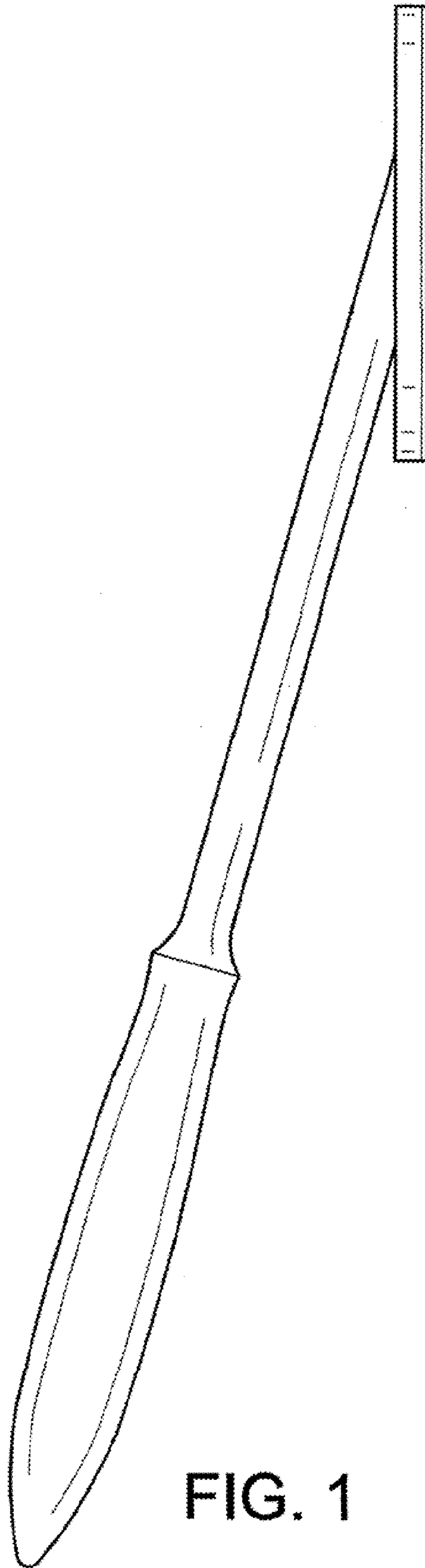
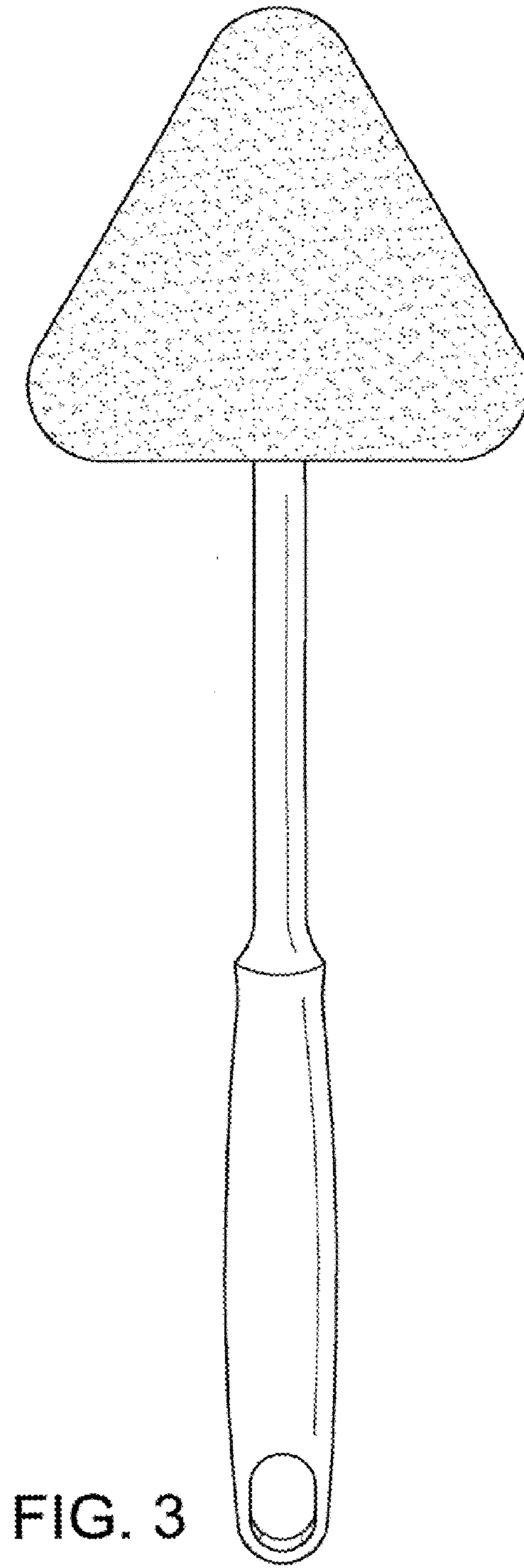
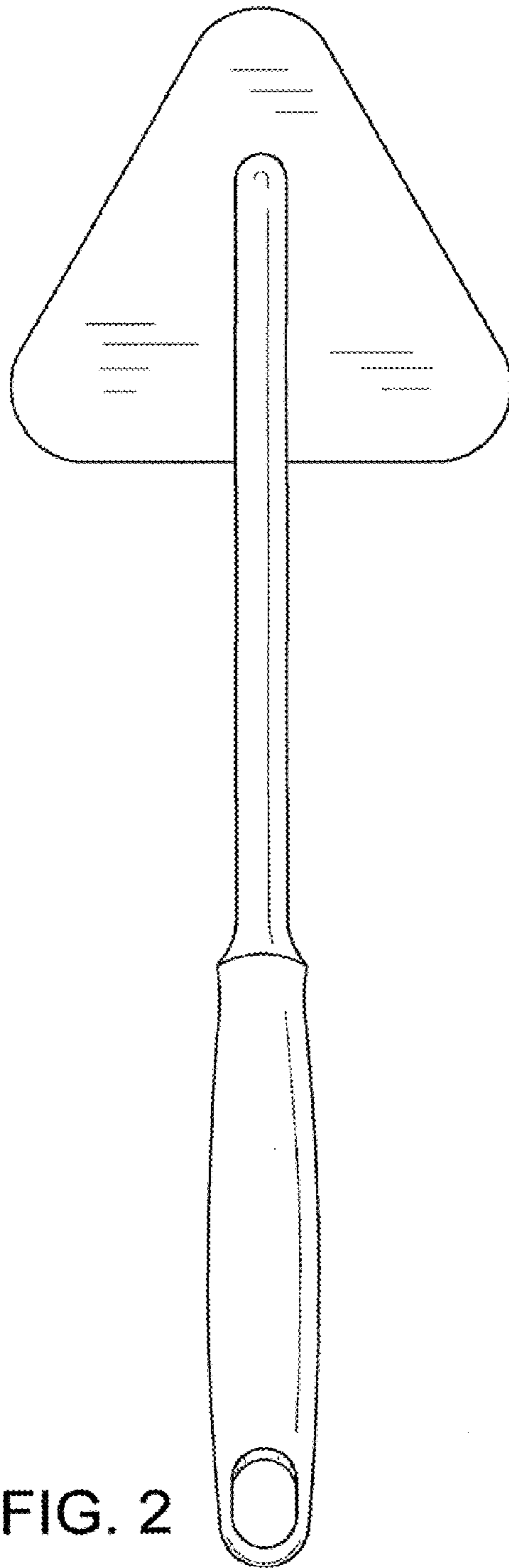


FIG. 1



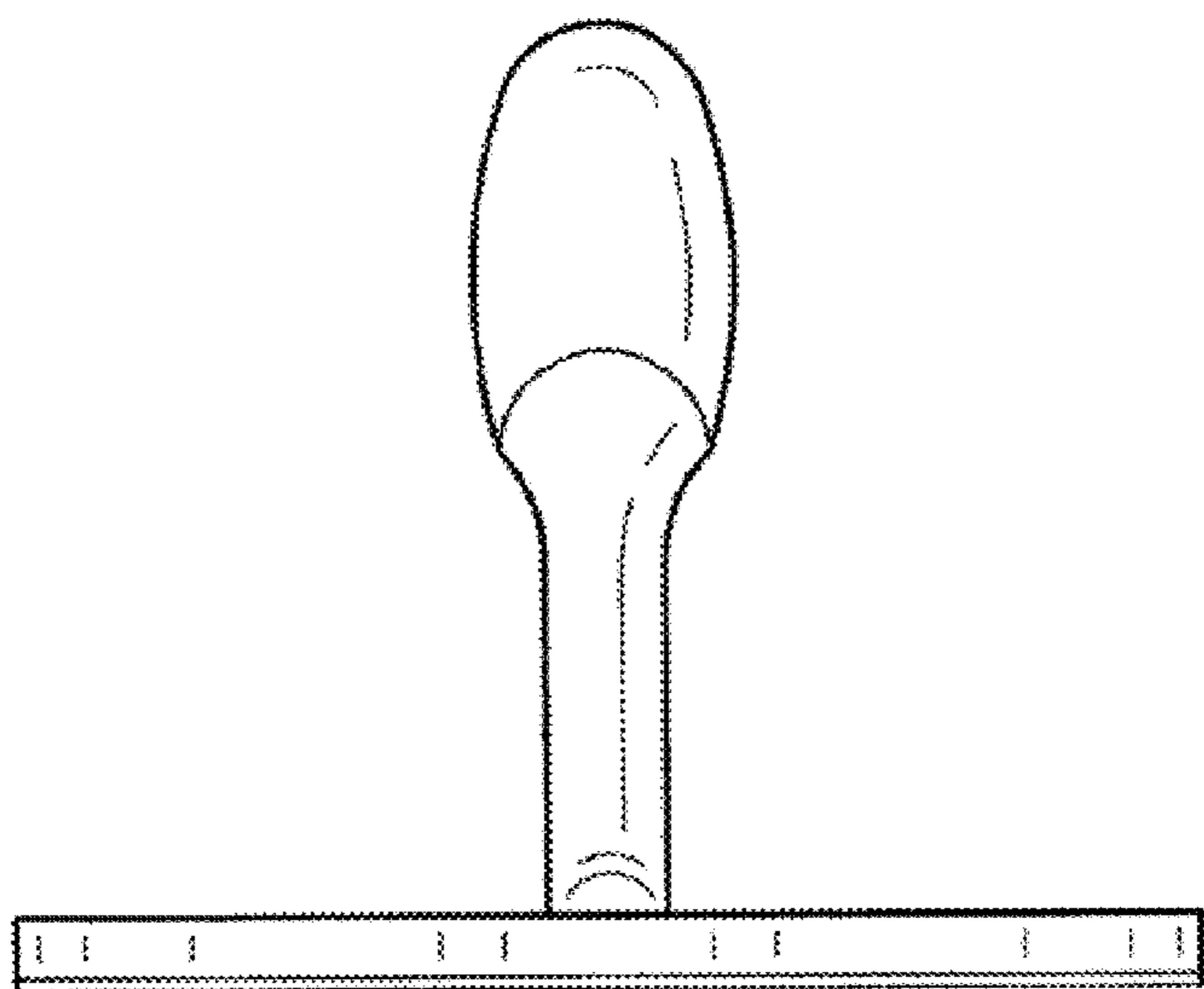


FIG. 4

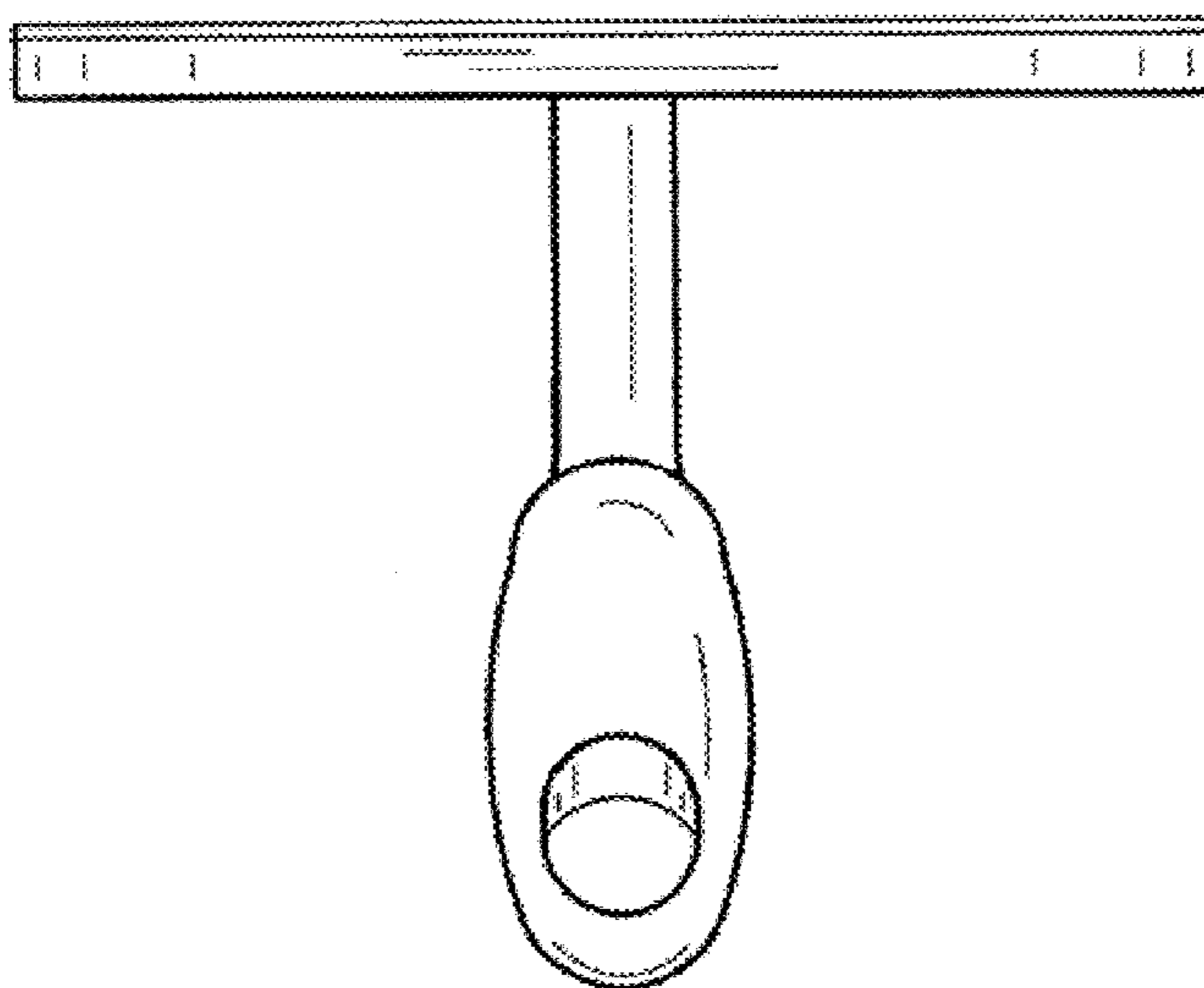


FIG. 5