



US00D604914S

(12) **United States Design Patent**
Boghozian

(10) **Patent No.:** **US D604,914 S**

(45) **Date of Patent:** **** Nov. 24, 2009**

(54) **ANIMAL EXCRETA GRAPPLING DEVICE**

(76) **Inventor:** **Makar Boghozian**, 17400 Tillford Ct.,
Granada Hills, CA (US) 91344

(**) **Term:** **14 Years**

(21) **Appl. No.:** **29/312,722**

(22) **Filed:** **Nov. 7, 2008**

(51) **LOC (9) Cl.** **30-99**

(52) **U.S. Cl.** **D30/162**

(58) **Field of Classification Search** D30/162;
D7/667, 669-670, 681, 688, 691; D8/10,
D8/395; 294/1.3, 1.4, 1.5, 9, 28, 49, 50.8,
294/54.5, 55; D32/74; 119/161, 867; 15/357.1,
15/257.6; 209/418-419

See application file for complete search history.

(56) **References Cited**

U.S. PATENT DOCUMENTS

4,148,510	A *	4/1979	Brack et al.	294/1.3
D259,968	S *	7/1981	Schneider	D30/162
D281,108	S *	10/1985	Wilson	D30/162
D351,265	S *	10/1994	Pierce	D30/162
D368,003	S *	3/1996	Simon	D30/162
5,669,645	A *	9/1997	Chuang	294/1.3
6,059,332	A *	5/2000	Beascoechea Inchaurreaga	294/1.3
D429,040	S *	8/2000	Schmittgens et al.	D30/162

D434,194	S *	11/2000	Bergquist	D30/152
D464,179	S *	10/2002	Petersen et al.	D30/162
D483,159	S *	12/2003	Boyd	D30/162
6,986,325	B1 *	1/2006	Hsu	294/1.3
7,374,215	B2 *	5/2008	Anderson	294/1.3
2008/0191502	A1 *	8/2008	Anderson	294/1.3
2009/0096226	A1 *	4/2009	Anderson	294/1.3

* cited by examiner

Primary Examiner—Cathy Anne MacCormac

(74) *Attorney, Agent, or Firm*—Frederick Gotha

(57) **CLAIM**

The ornamental design for an animal excreta grappling device, as shown and described.

DESCRIPTION

FIG. 1 is a perspective view of an animal excreta grappling device showing my new design;

FIG. 2 is a top of views my new design shown in FIG. 1;

FIG. 3 is a front view of my new design;

FIG. 4 is a bottom view of my new design;

FIG. 5 is a left side elevational view of my new design; and,

FIG. 6 is a right side elevational view of my new design.

The broken lines are included for the purpose of illustrating portions of the article that form no part of the new design.

1 Claim, 5 Drawing Sheets

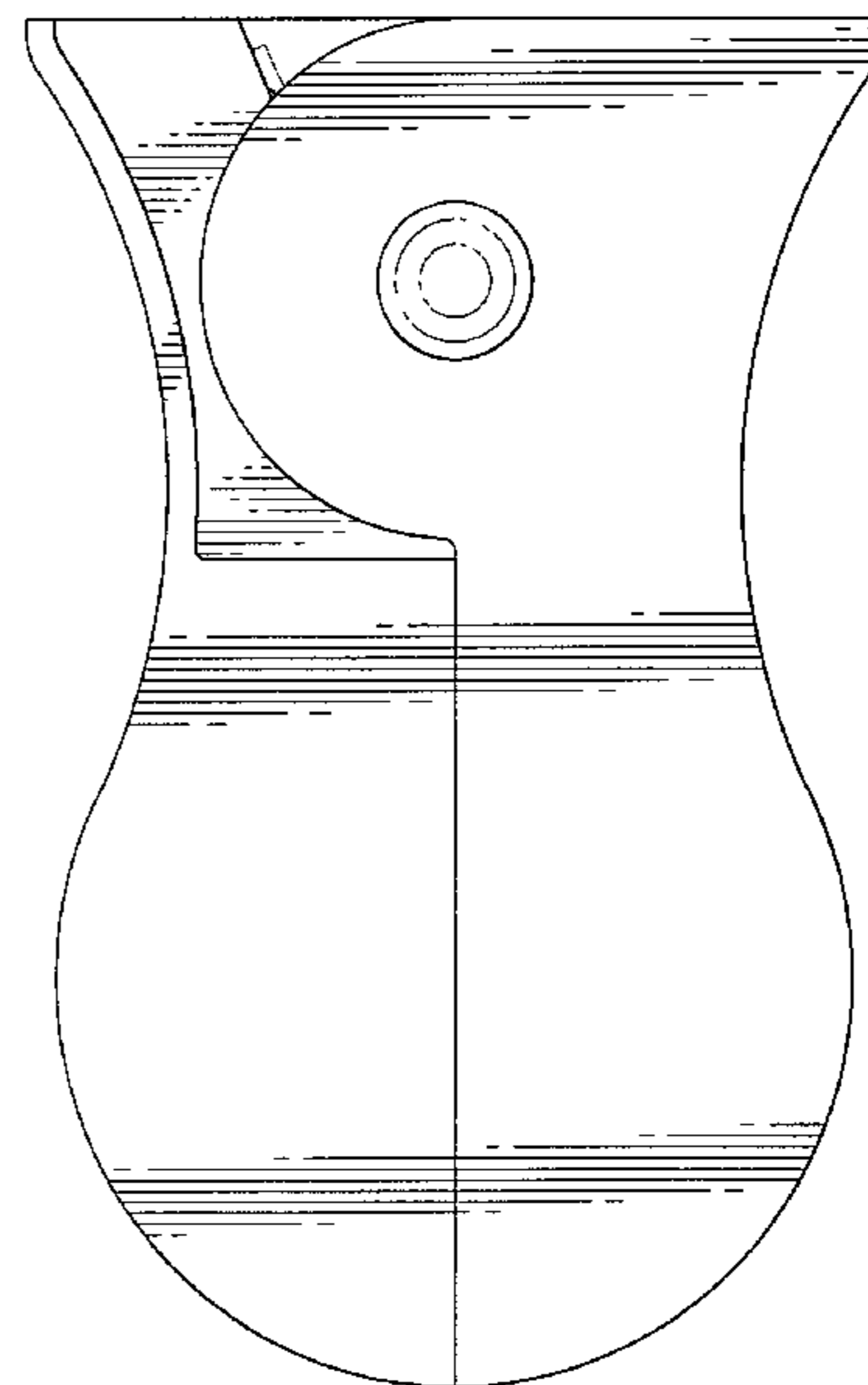
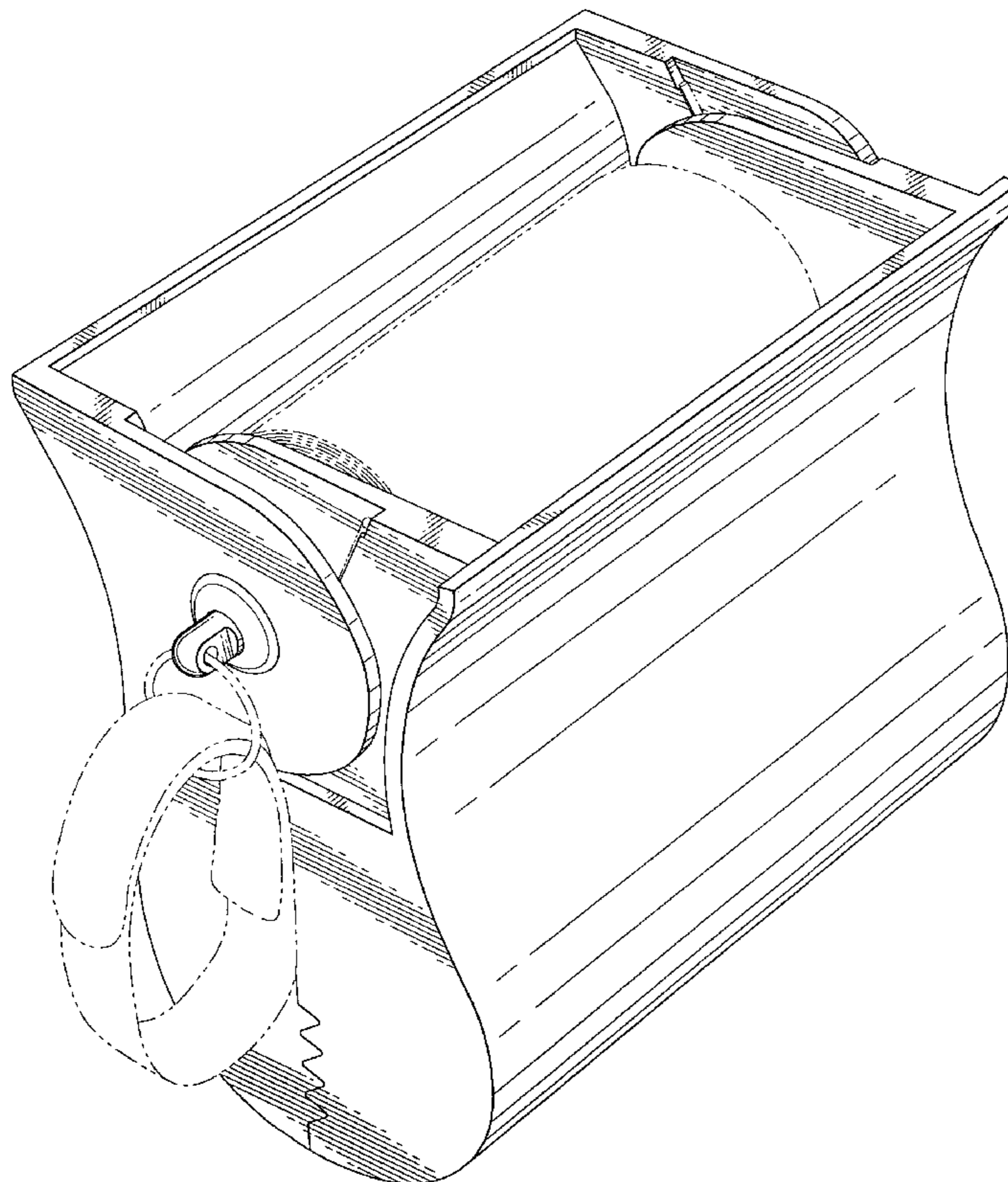


FIG. 1

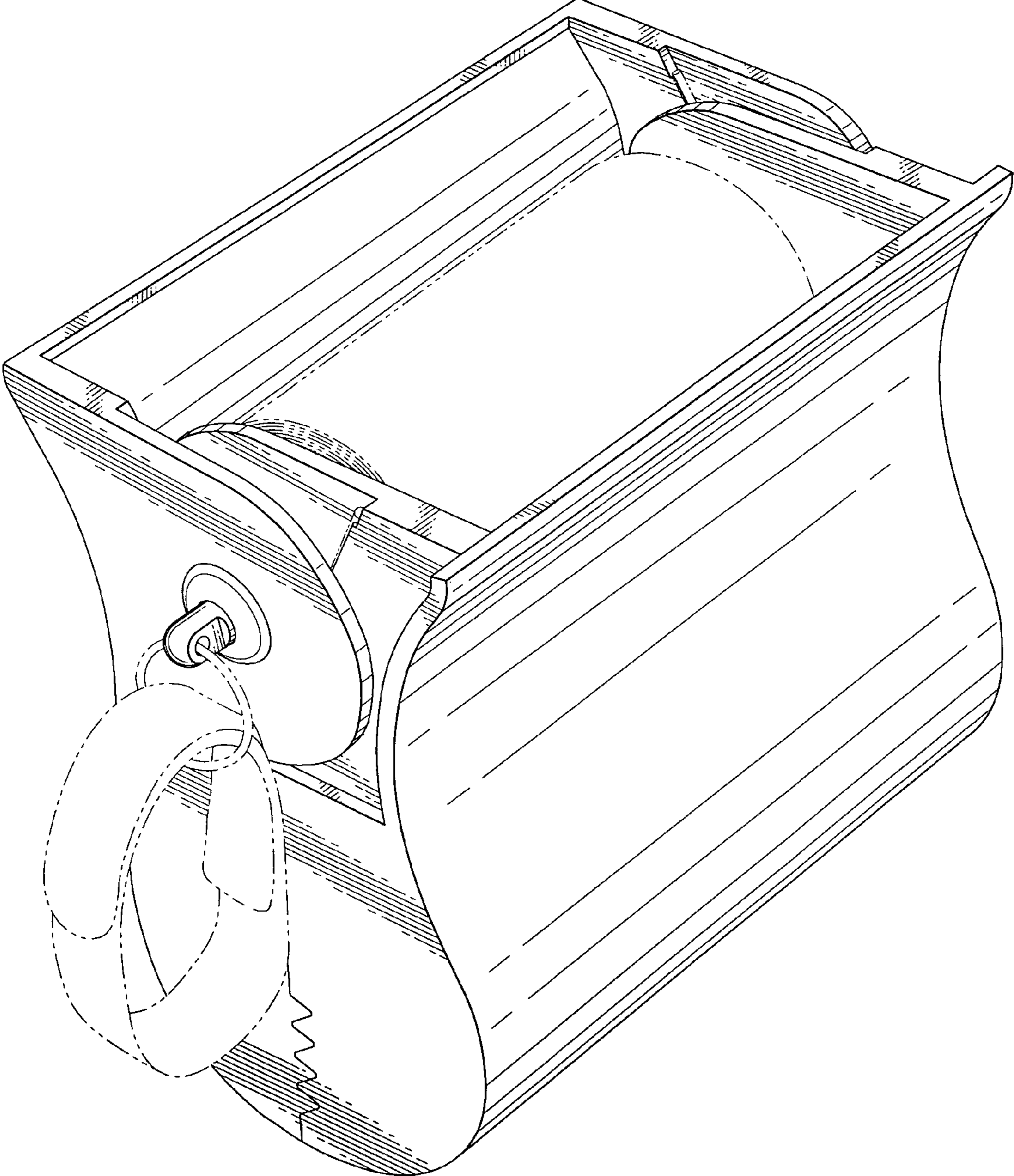


FIG. 2

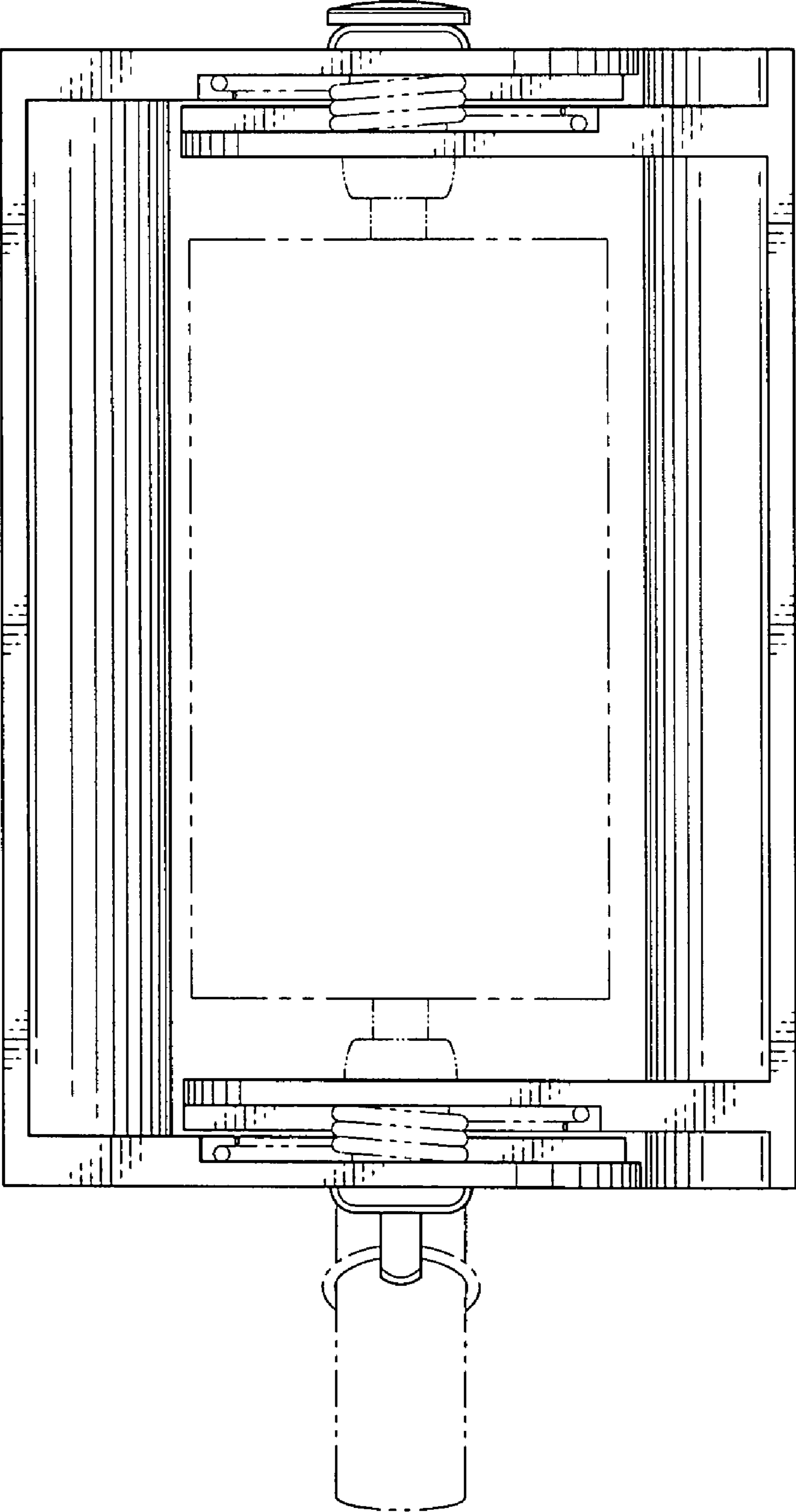


FIG. 3

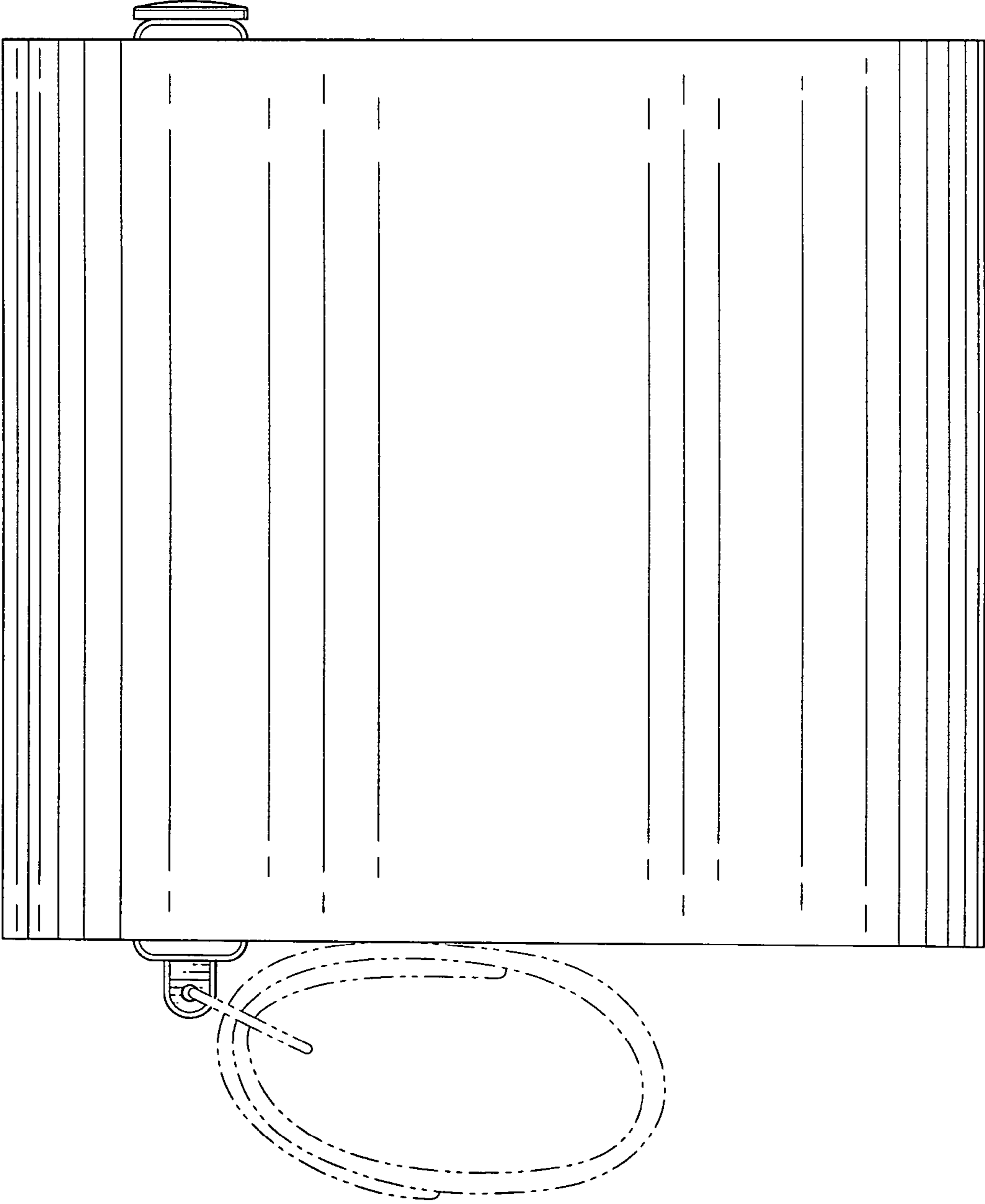


FIG. 4

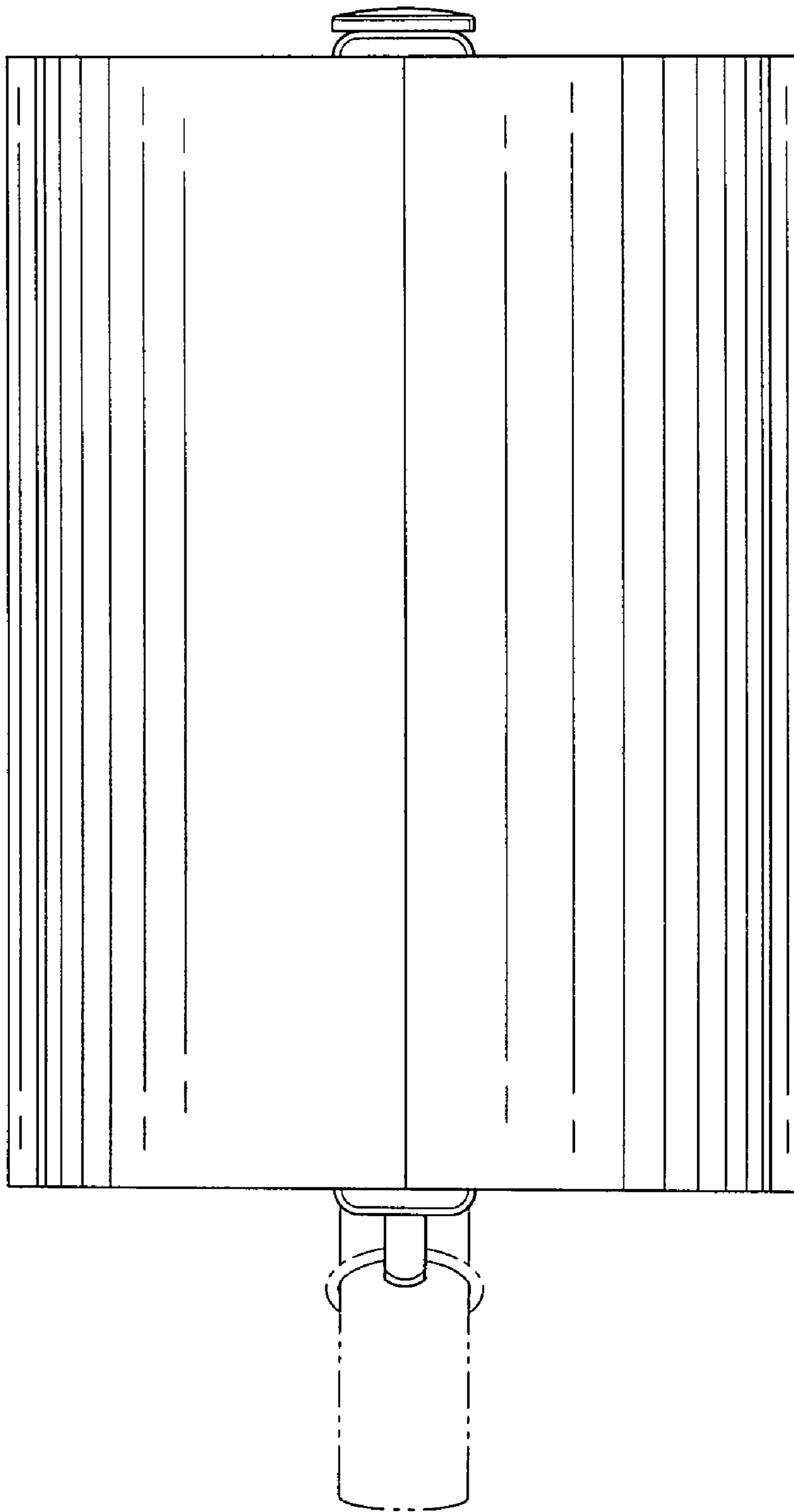


FIG. 6

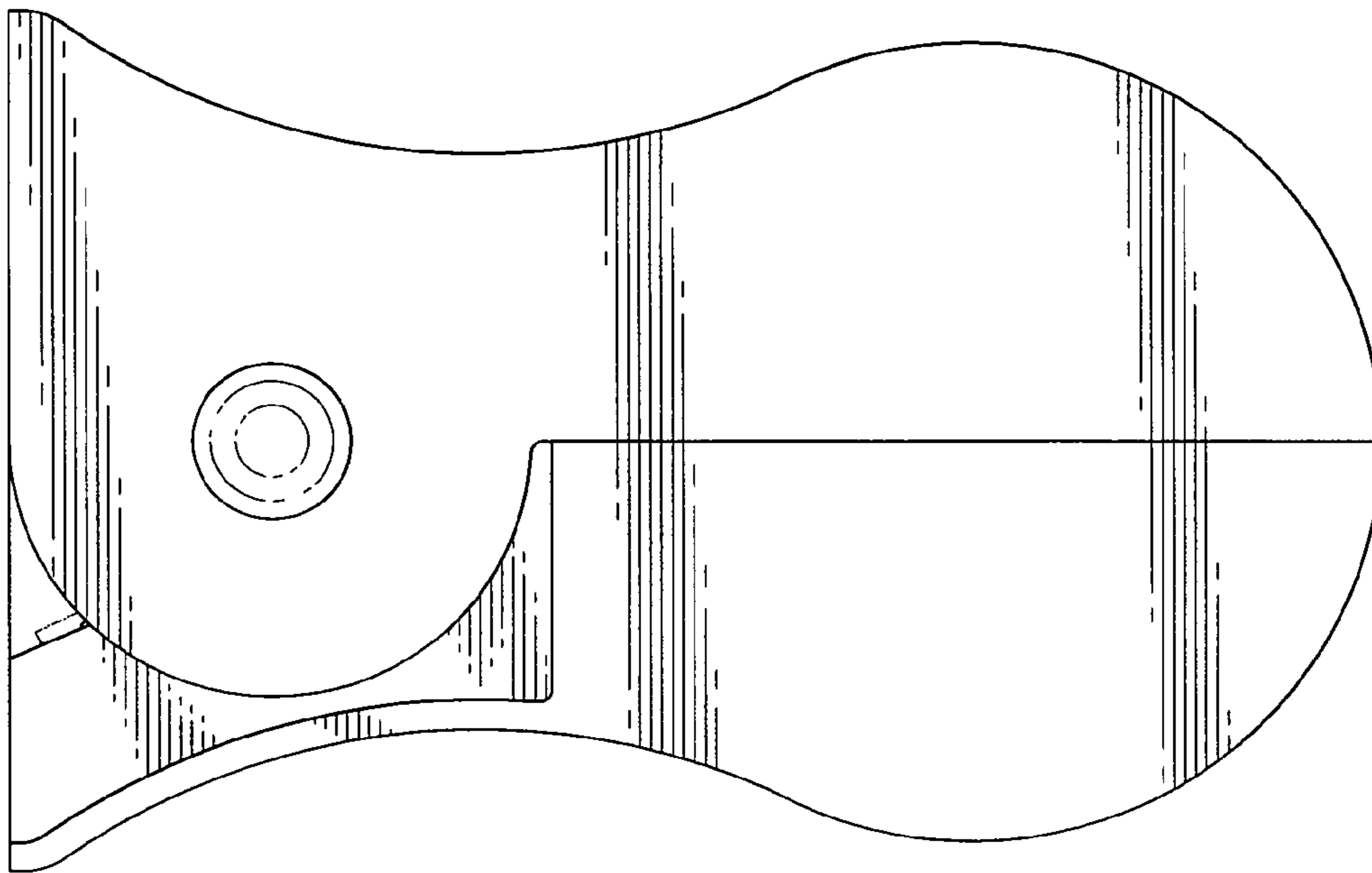


FIG. 5

