



US00D604912S

(12) **United States Design Patent**
Paul

(10) **Patent No.:** **US D604,912 S**

(45) **Date of Patent:** **** Nov. 24, 2009**

(54) **POLE CLIMBING AND FALL RESTRAINT DEVICE**

2006/0054387 A1* 3/2006 Fortin 182/3

OTHER PUBLICATIONS

(75) Inventor: **Roderick Paul**, Mercer, PA (US)

Bashlin 77BCS Pole Climbing System Information Sheet.
Bashlin Industries, Inc. "Bashlin Quality Equipment for Professional Lineworkers." 2007 cover table of contents pp. 6-11 and 21-35.

(73) Assignee: **Bashlin Industries, Inc.**, Grove City, PA (US)

* cited by examiner

(**) Term: **14 Years**

Primary Examiner—Raphael Barkai

Assistant Examiner—Randall H Gholson

(21) Appl. No.: **29/329,105**

(74) *Attorney, Agent, or Firm*—Buchanan Ingersoll & Rooney PC

(22) Filed: **Dec. 9, 2008**

(51) **LOC (9) Cl.** **29-02**

(52) **U.S. Cl.** **D29/124**

(58) **Field of Classification Search** D29/100,
D29/101.1, 101.5, 124; D21/683; D30/152;
2/46, 52, 92, 103, 461, 462, 465, 311; 119/770;
182/3-6, 9, 133, 134, 135, 136, 187, 206,
182/221; 244/151 R; 297/485; D24/190,
D24/193

See application file for complete search history.

(57) **CLAIM**

An ornamental design for a pole climbing and fall restraint device, as shown and described.

DESCRIPTION

FIG. 1 is a perspective bottom view of the pole climbing and fall restraint device;

FIG. 2 is a front view of the pole climbing and fall restraint device positioned around a pole;

FIG. 3 is a back view of the pole climbing and fall restraint device positioned around a pole;

FIG. 4 is a left side view of the pole climbing and fall restraint device positioned around a pole;

FIG. 5 is a right side view of the pole climbing and fall restraint device positioned around a pole;

FIG. 6 is a top view of the pole climbing and fall restraint device positioned around a pole, the hooks being in an outwardly extended position to show the features of the hooks; and,

FIG. 7 is a bottom view of the pole climbing and fall restraint device positioned around a pole, the hooks being in an outwardly extended position to show the features of the hooks.

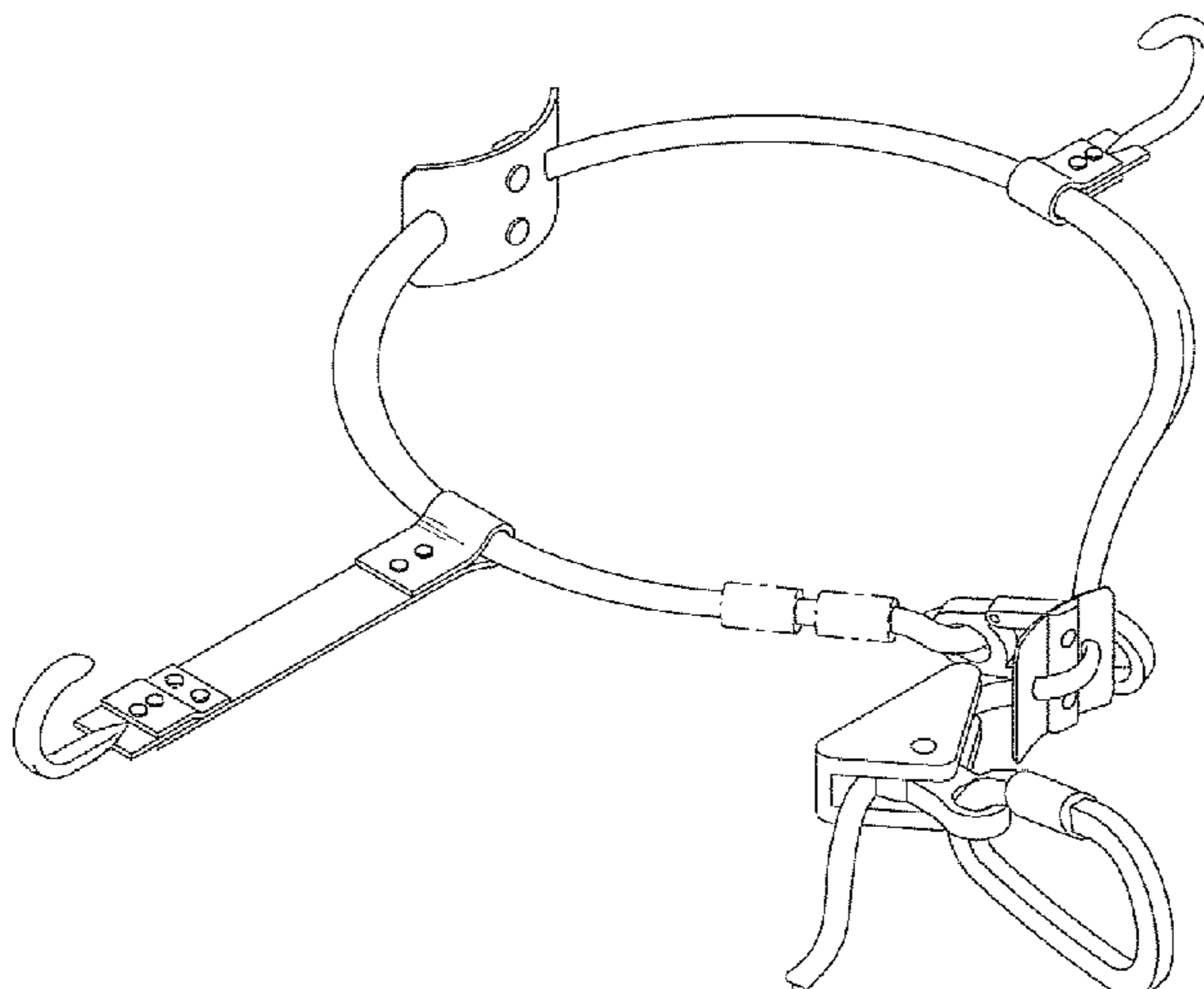
The crimps shown in broken line in FIGS. 1, 2, 5, 6 and 7 as well as the pole shown in broken line in FIGS. 2-7 form no part of the claimed design.

(56) **References Cited**

U.S. PATENT DOCUMENTS

2,303,954	A *	12/1942	Roke	182/3
3,941,208	A *	3/1976	St. Germain	182/3
4,923,048	A	5/1990	Cole		
4,991,689	A *	2/1991	Cole	182/3
5,052,514	A	10/1991	Rezmer		
5,137,113	A	8/1992	Lortie		
5,141,074	A *	8/1992	Sulowski et al.	182/9
5,184,696	A *	2/1993	Meed et al.	182/9
5,293,657	A	3/1994	DeAth		
5,378,046	A *	1/1995	Gordy et al.	297/485
6,241,045	B1	6/2001	Reeve et al.		
6,374,946	B1 *	4/2002	Petzl et al.	182/6
6,644,438	B1 *	11/2003	Chang et al.	182/9
6,698,544	B2 *	3/2004	Kurtgis	182/3
6,752,242	B1	6/2004	Whitehead et al.		
6,981,571	B2	1/2006	Diggle		
D553,801	S *	10/2007	Palasini	D29/101.1
D560,313	S *	1/2008	Frank	D29/101.1

1 Claim, 7 Drawing Sheets



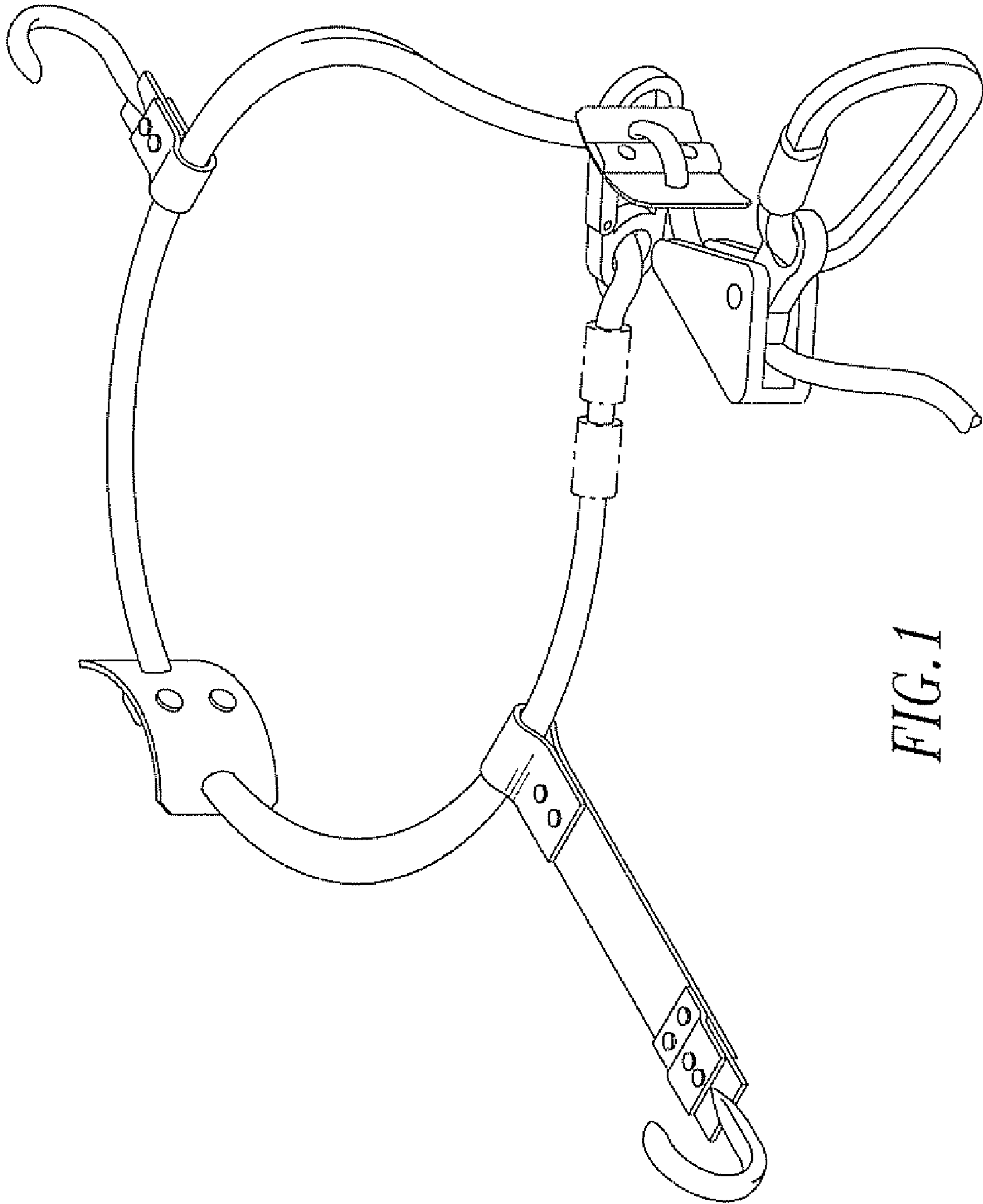


FIG. 1

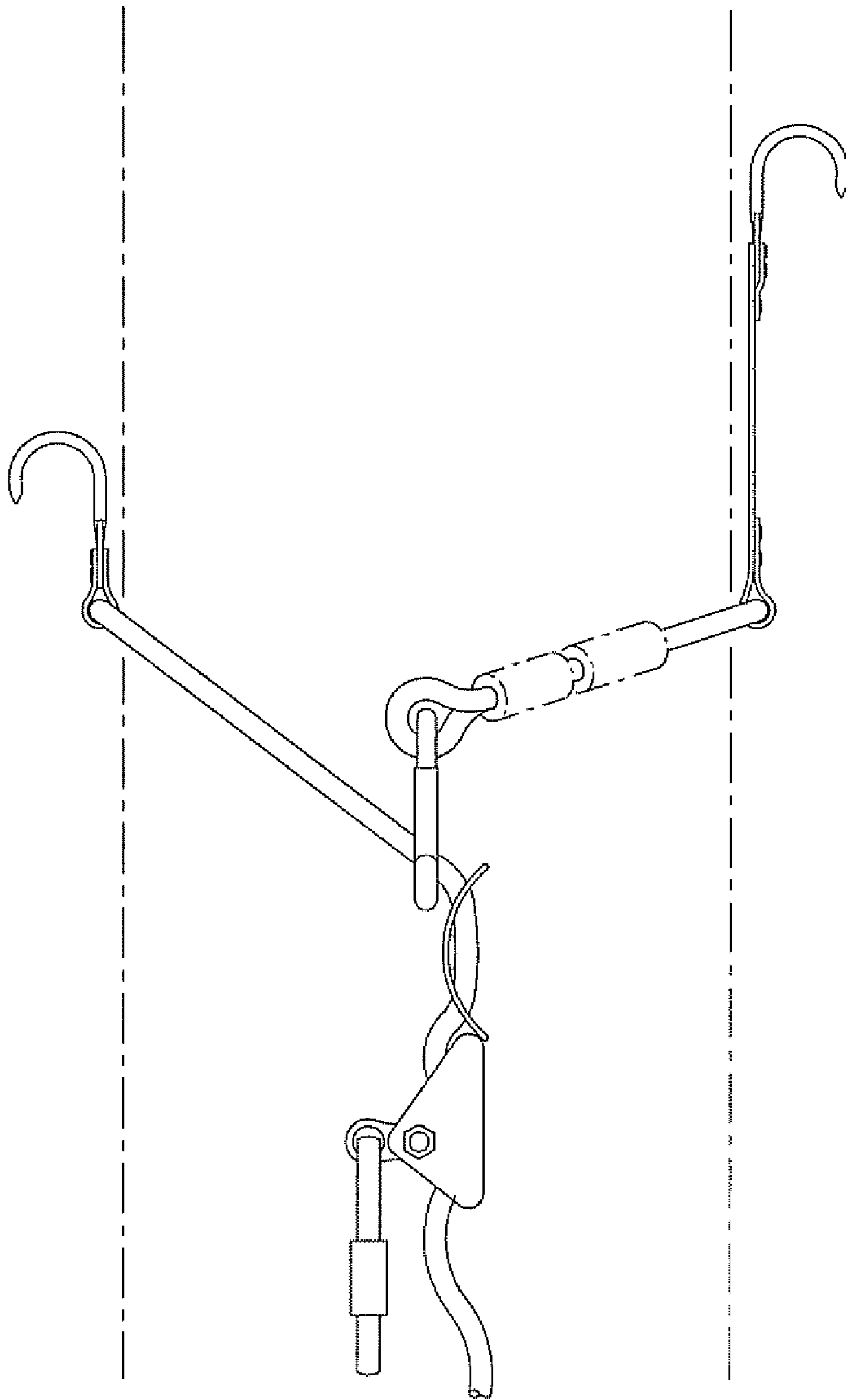


FIG. 2

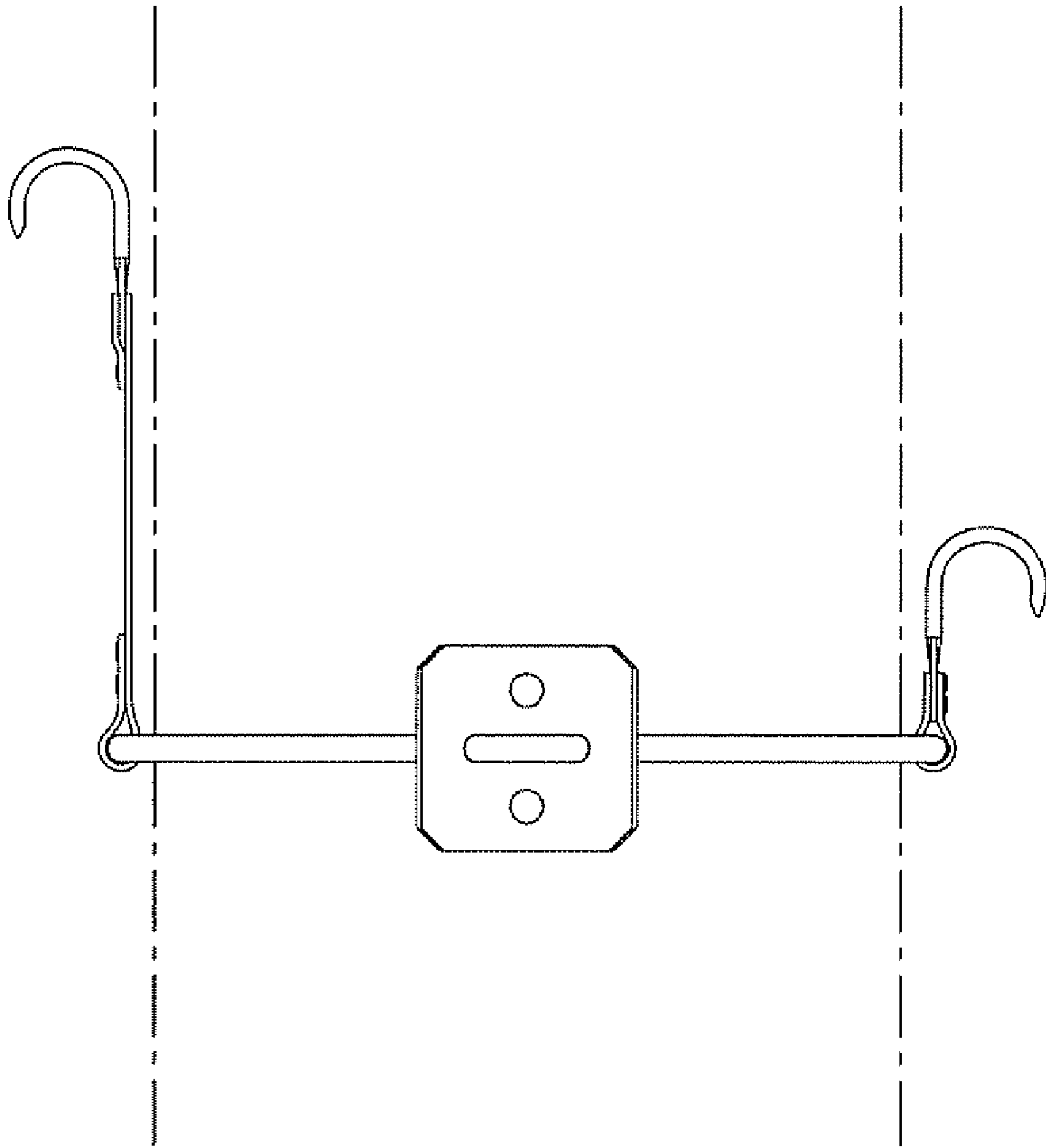


FIG. 3

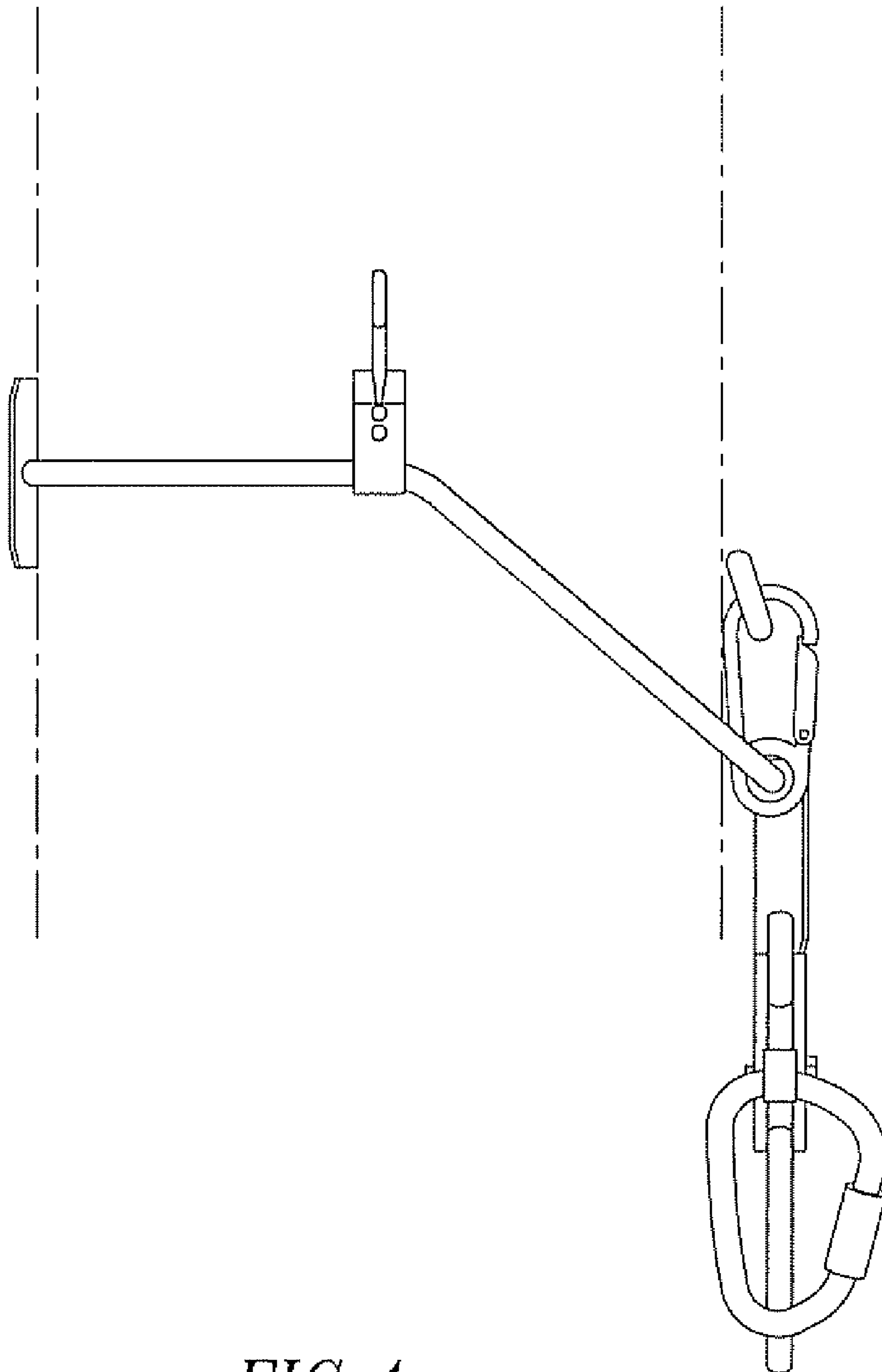


FIG. 4

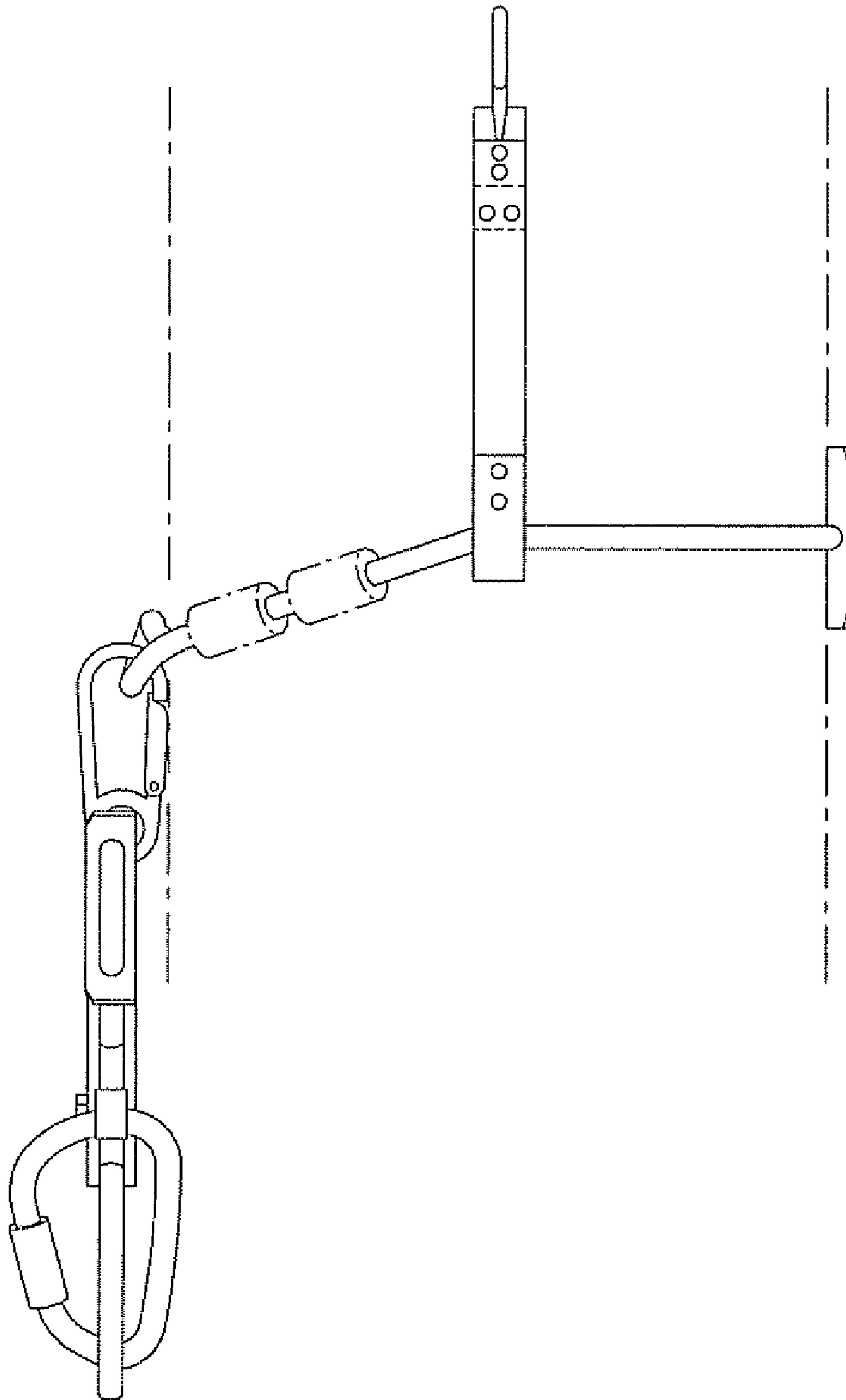


FIG. 5

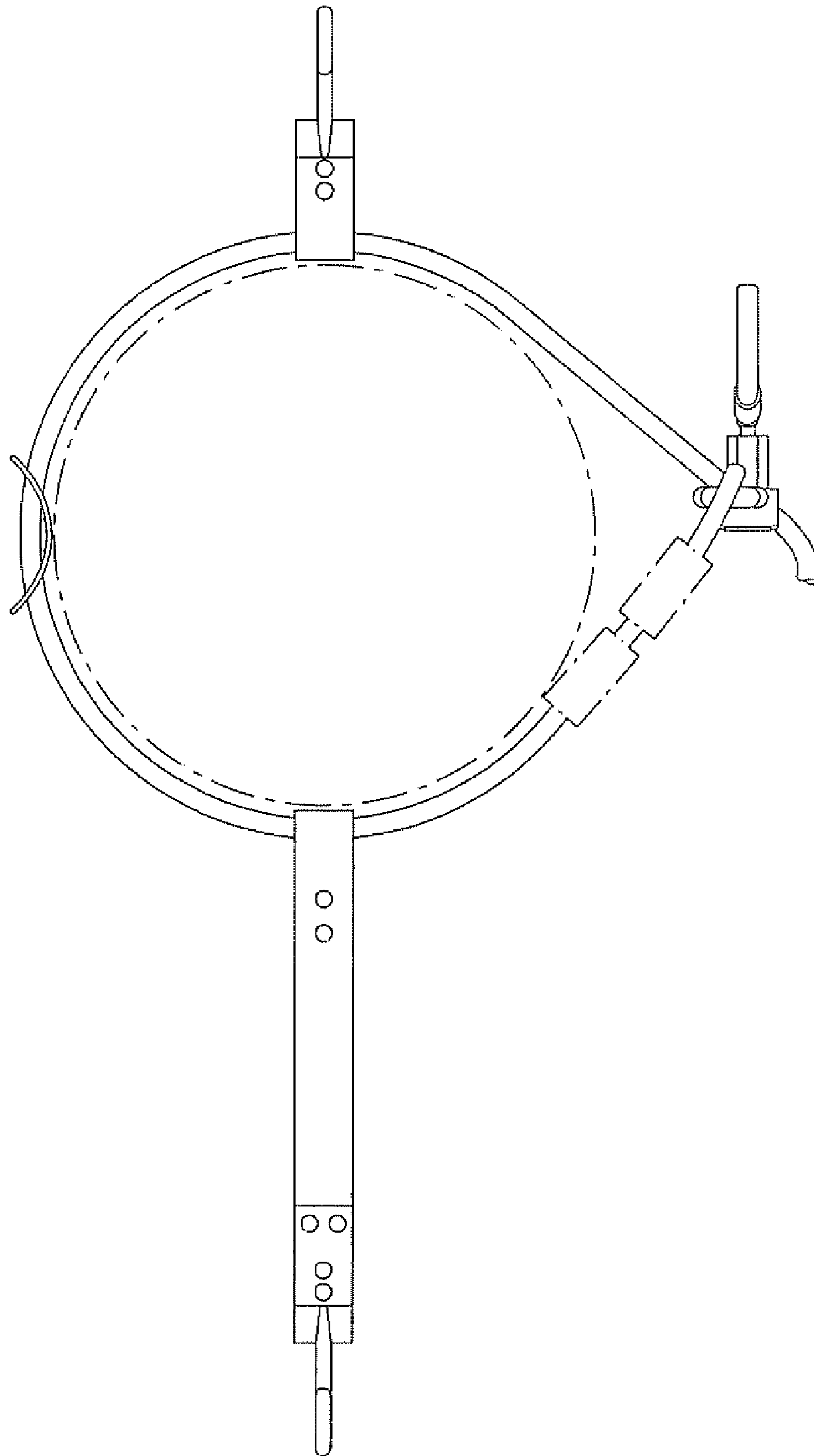


FIG. 6

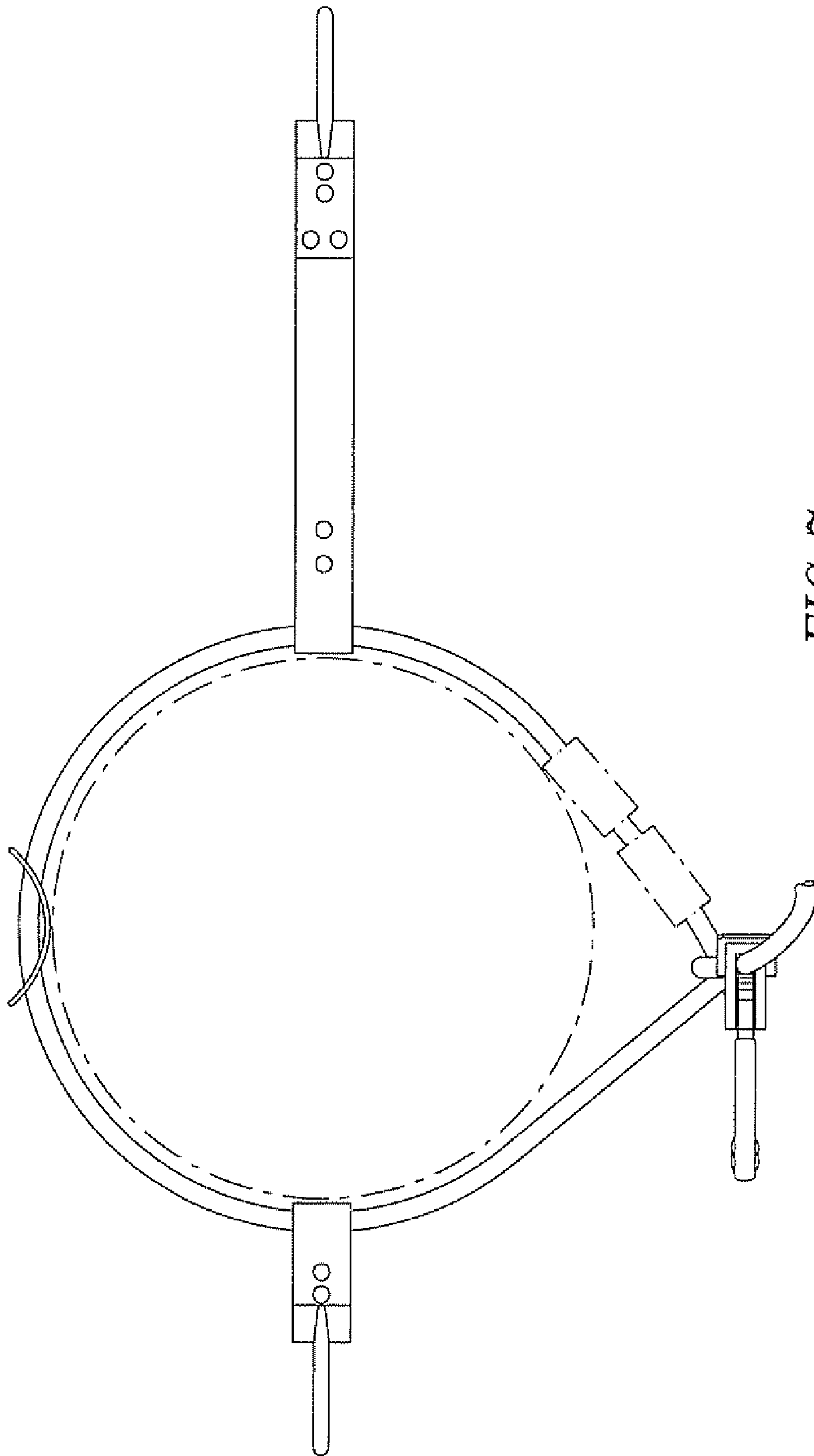


FIG. 7