



US00D604904S

(12) **United States Design Patent**
Watson

(10) **Patent No.:** **US D604,904 S**

(45) **Date of Patent:** **** Nov. 24, 2009**

(54) **RAZOR CARTRIDGE**

2003/0217470 A1* 11/2003 Follo et al. 30/81
2004/0231161 A1* 11/2004 Coffin et al. 30/50

(75) Inventor: **Brian Patrick Watson**, Albion, RI (US)

* cited by examiner

(73) Assignee: **The Gillette Company**, Boston, MA (US)

Primary Examiner—Jennifer Rivard
(74) *Attorney, Agent, or Firm*—Kevin C. Johnson; Steven W. Miller

(**) Term: **14 Years**

(21) Appl. No.: **29/325,197**

(57) **CLAIM**

(22) Filed: **Sep. 26, 2008**

The ornamental design for a razor cartridge, as shown and described.

(51) **LOC (9) Cl.** **28-03**

(52) **U.S. Cl.** **D28/47**

(58) **Field of Classification Search** 30/32, 30/34.05, 34.1, 34.2, 41–41.8, 44–45, 47–51, 30/53–58, 526–533, 537, 77–83, 538; D28/44.1–48
See application file for complete search history.

DESCRIPTION

FIG. 1 is a perspective view as seen from the bottom, rear and right side of a razor cartridge showing my new design;

FIG. 2 is a bottom plan view thereof;

FIG. 3 is a perspective view thereof as seen from the top, rear and right side;

FIG. 4 is a perspective view thereof as seen from the top, front and left side;

FIG. 5 is a left side elevational view thereof, the right side elevation being a mirror image thereof;

FIG. 6 is a rear elevational view thereof; and,

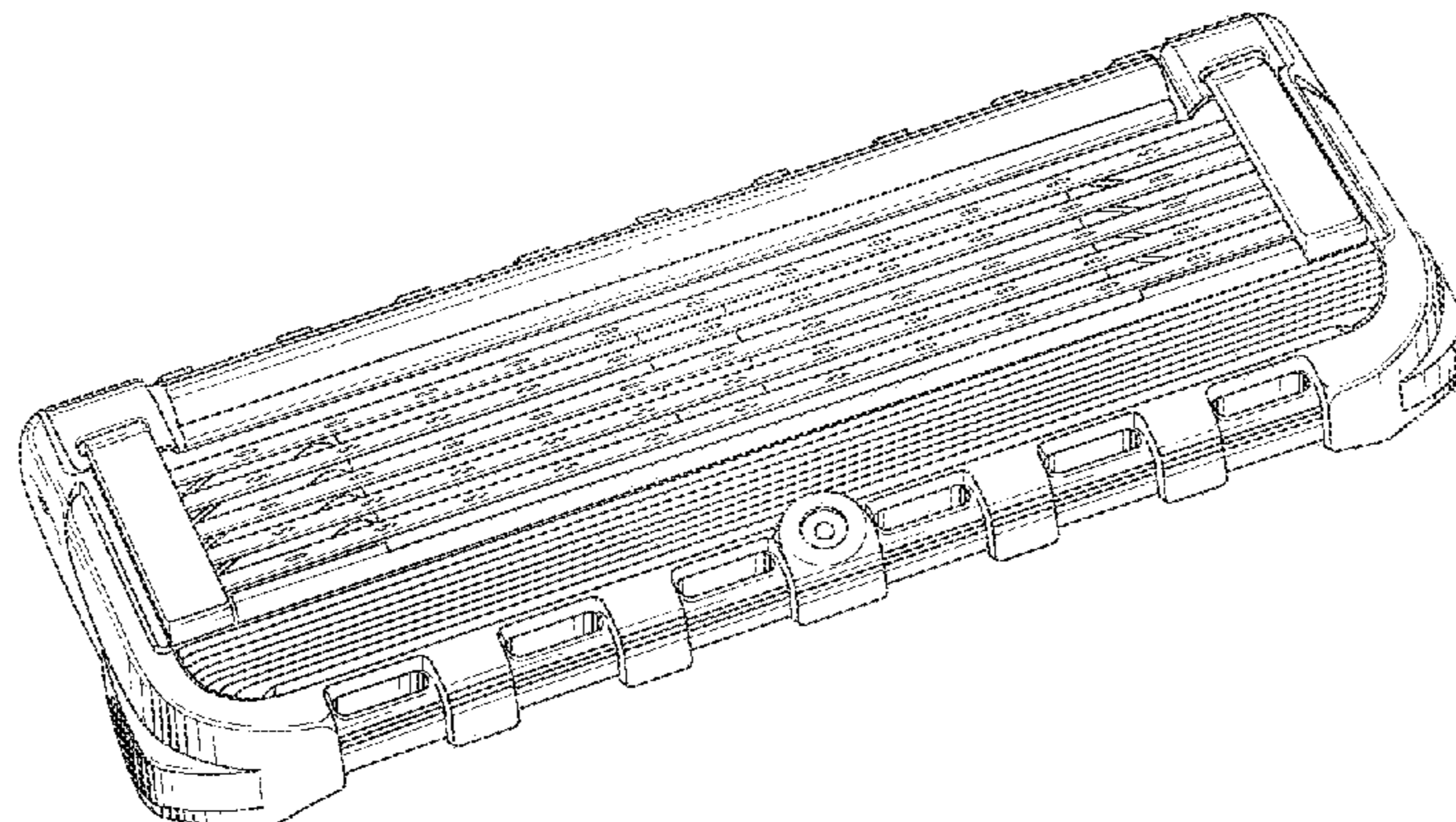
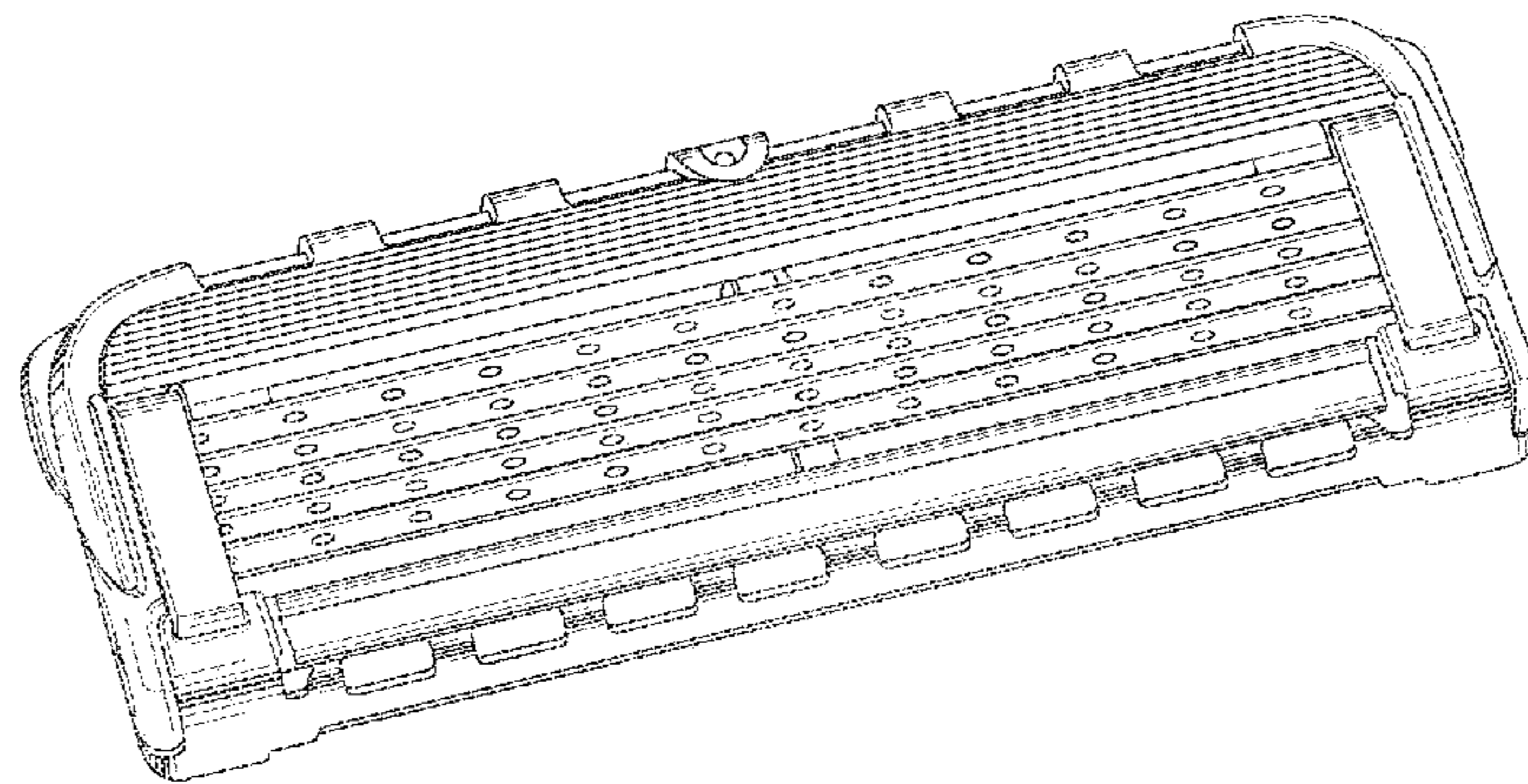
FIG. 7 is a front elevational view thereof.

(56) **References Cited**

U.S. PATENT DOCUMENTS

5,056,222	A *	10/1991	Miller et al.	30/77
5,313,705	A *	5/1994	Rivers et al.	30/50
5,456,009	A *	10/1995	Wexler	30/77
D516,243	S *	2/2006	Nakasuka	D28/47
D526,089	S *	8/2006	Fischer et al.	D28/47
7,200,942	B2 *	4/2007	Richard	30/526
D566,897	S *	4/2008	Lee	D28/46
D588,744	S *	3/2009	Fischer et al.	D28/47

1 Claim, 3 Drawing Sheets



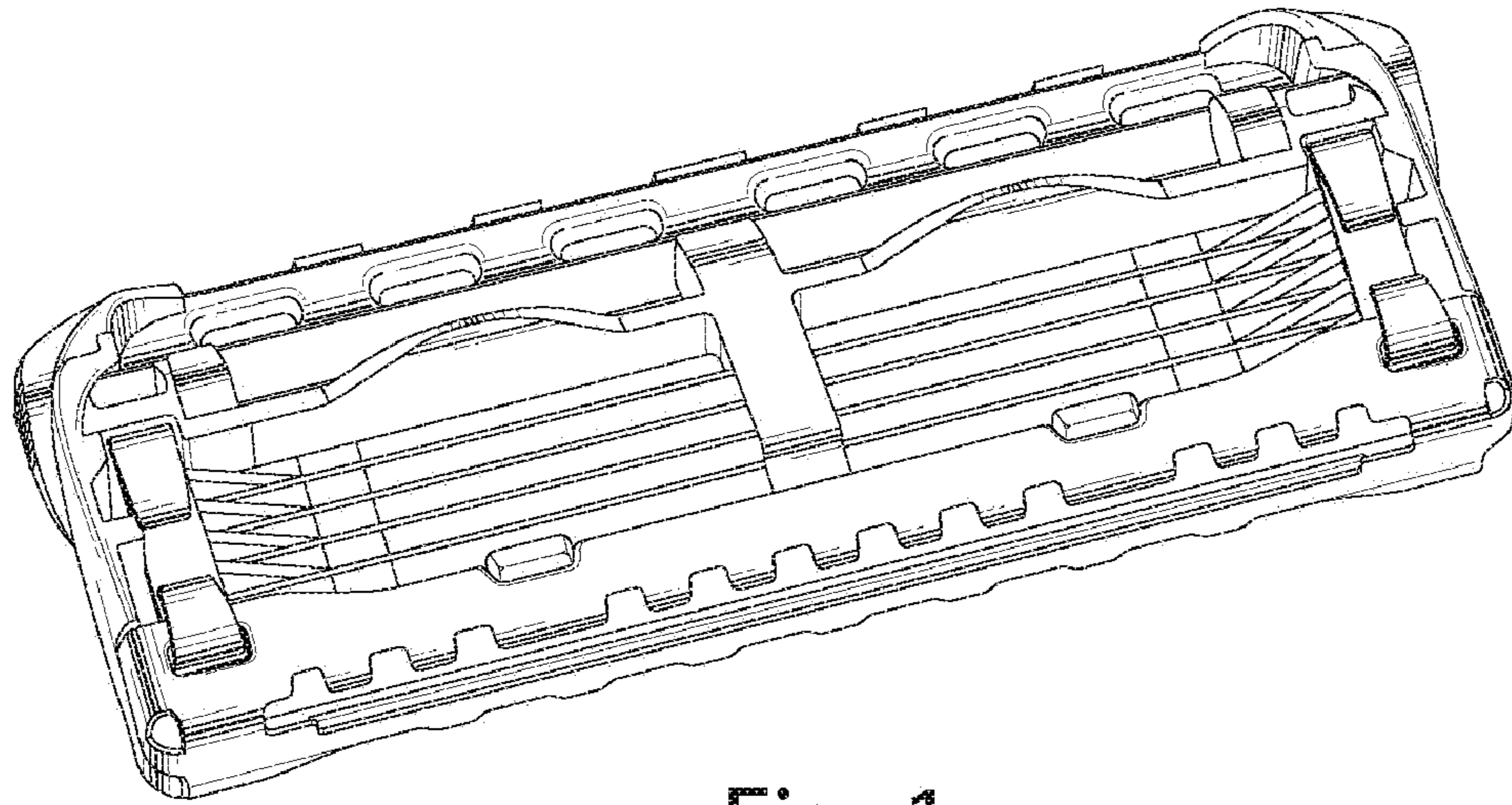


Fig. 1

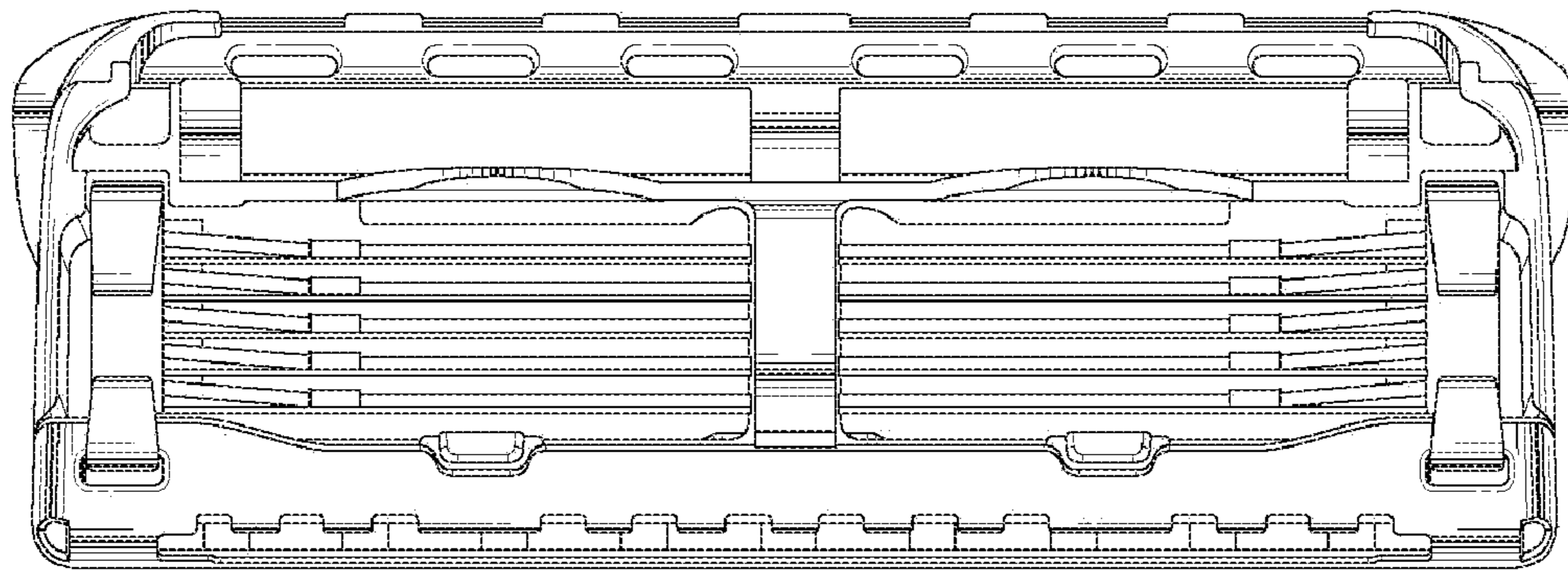


Fig. 2

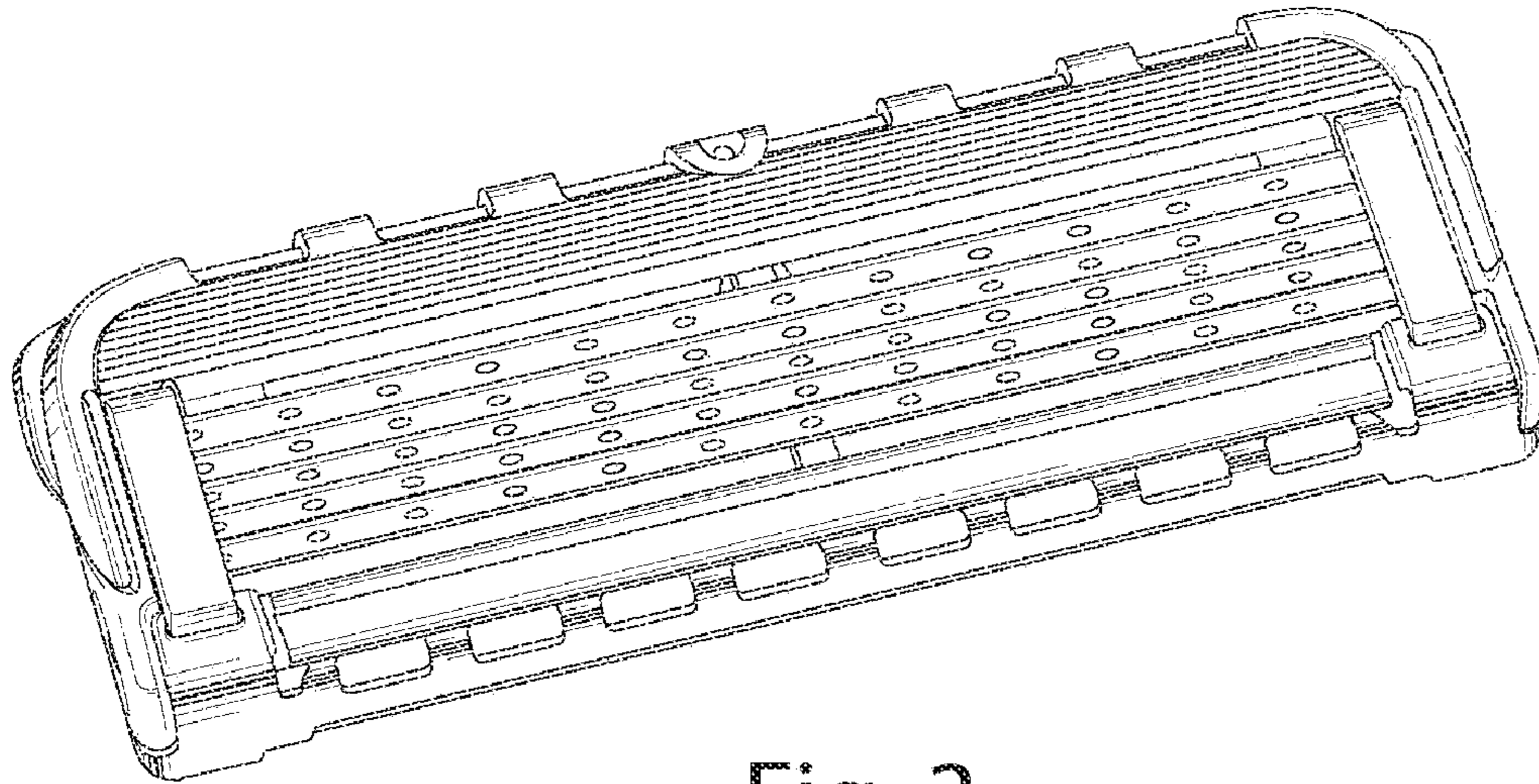


Fig. 3

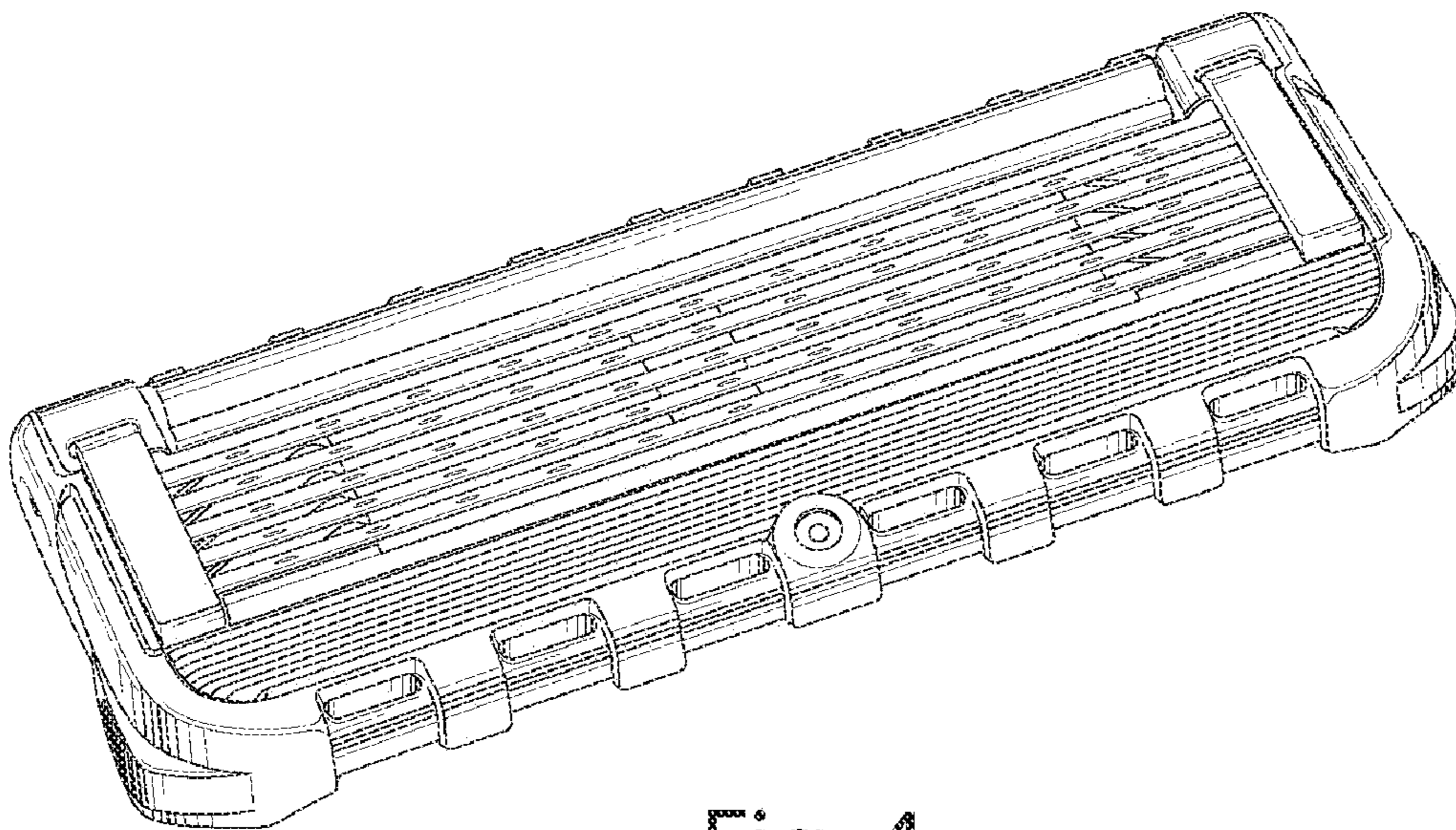


Fig. 4

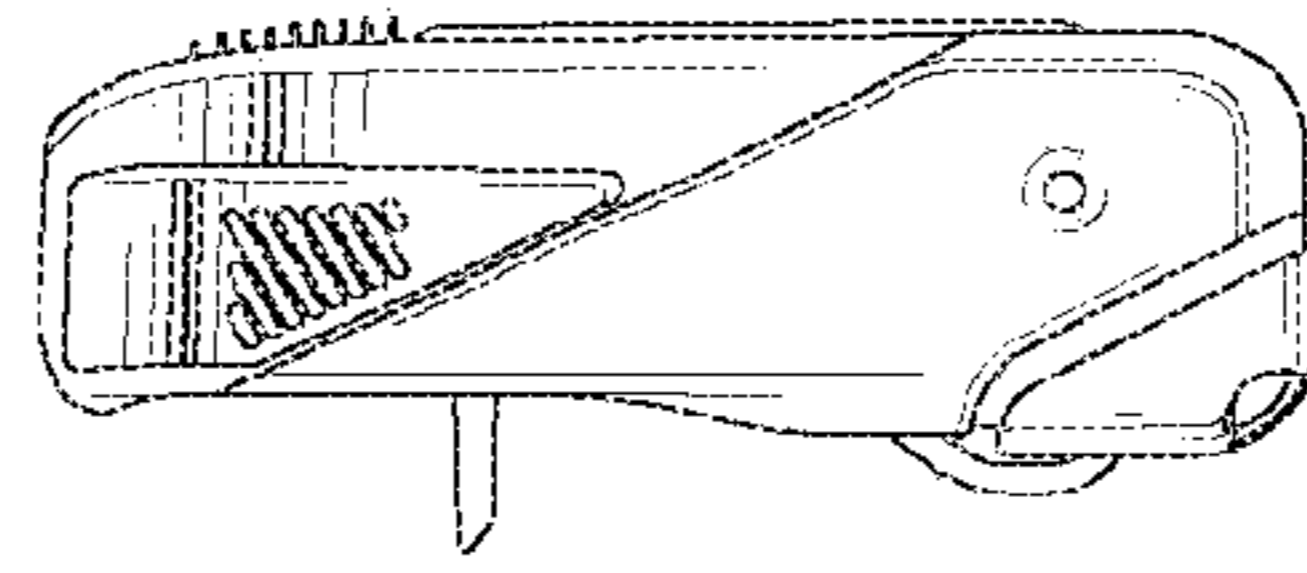


Fig. 5

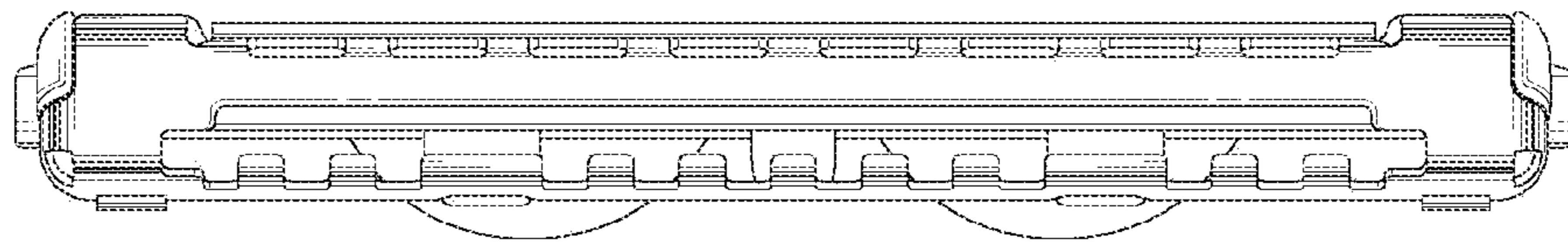


Fig. 6

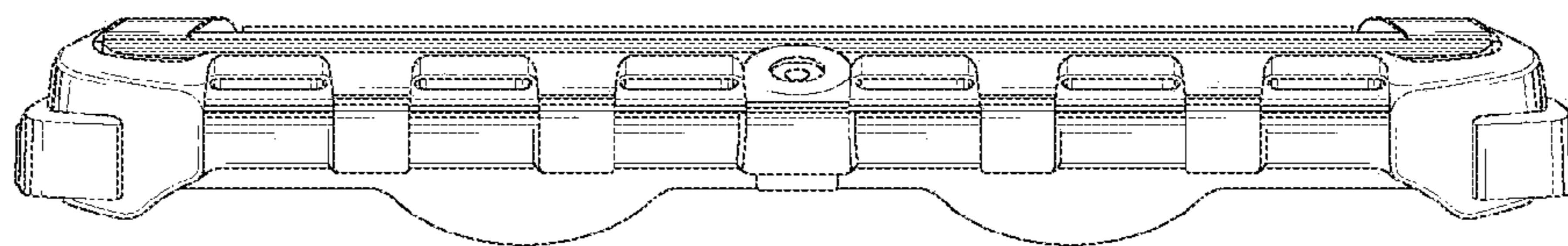


Fig. 7

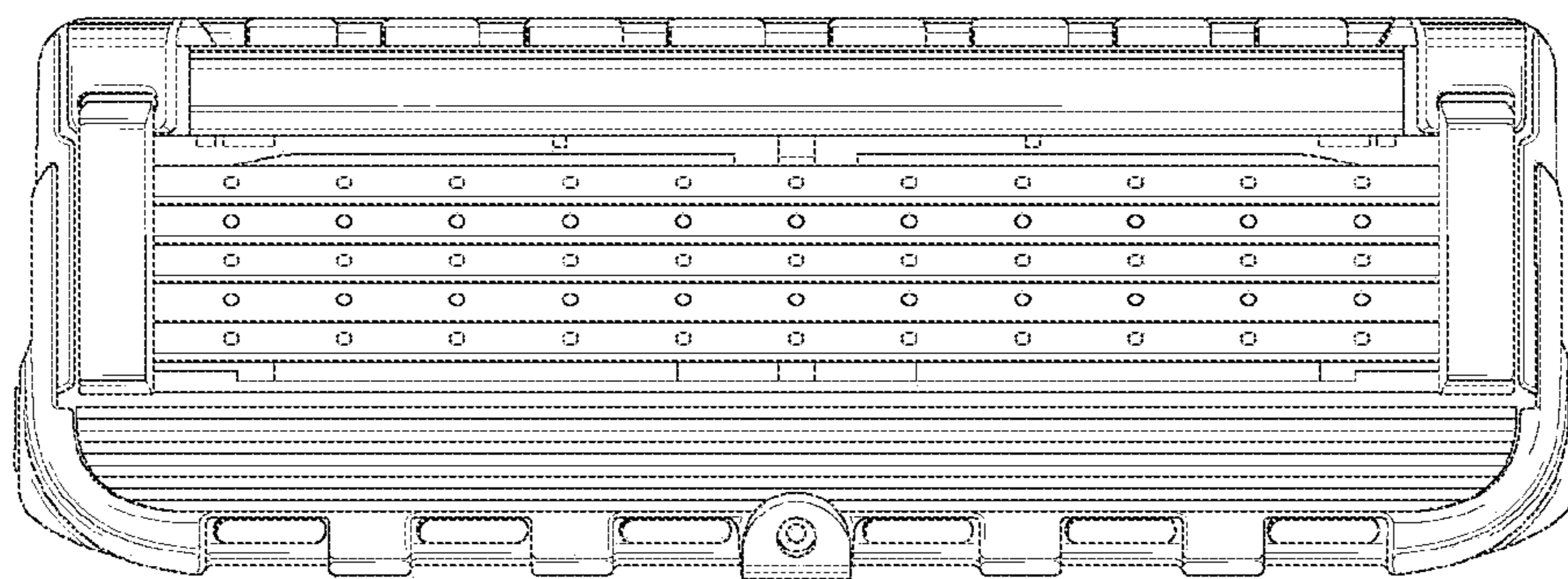


Fig. 8

UNITED STATES PATENT AND TRADEMARK OFFICE
CERTIFICATE OF CORRECTION

PATENT NO. : Des. 604,904 S
APPLICATION NO. : 29/325197
DATED : November 24, 2009
INVENTOR(S) : Brian Patrick Watson

Page 1 of 1

It is certified that error appears in the above-identified patent and that said Letters Patent is hereby corrected as shown below:

Cover Page

Under the description of figures insert --Fig. 8 is a top plan view thereof--.

Signed and Sealed this

Fifth Day of January, 2010

A handwritten signature in black ink that reads "David J. Kappos". The signature is written in a cursive style with a large initial 'D' and 'K'.

David J. Kappos
Director of the United States Patent and Trademark Office