



US00D604901S

(12) **United States Design Patent**
Yu

(10) **Patent No.:** **US D604,901 S**

(45) **Date of Patent:** **** Nov. 24, 2009**

(54) **HAIR DRYER**

(75) Inventor: **King Kuen Yu**, New Territories (HK)

(73) Assignee: **Kenford Industrial Co. Ltd.**, New Territories (HK)

(**) Term: **14 Years**

(21) Appl. No.: **29/331,287**

(22) Filed: **Jan. 22, 2009**

(30) **Foreign Application Priority Data**

Oct. 22, 2008 (CN) 2008 3 0250366

(51) **LOC (9) Cl.** **28-03**

(52) **U.S. Cl.** **D28/13**

(58) **Field of Classification Search** D28/12-19;
34/96-101; 392/380-385; 219/222
See application file for complete search history.

(56) **References Cited**

U.S. PATENT DOCUMENTS

D276,941 S *	12/1984	Stansbury, Jr.	D28/13
D280,338 S *	8/1985	Skarsten	D8/29.1
D425,243 S *	5/2000	Mattis	D28/13
D428,528 S *	7/2000	Deguines	D28/13
D429,028 S *	8/2000	Muller et al.	D28/13
D436,227 S *	1/2001	Smal et al.	D28/13
D445,216 S *	7/2001	Spagnolo	D28/13

D468,862 S *	1/2003	Barski	D28/13
D472,345 S *	3/2003	Altamore et al.	D28/13
D525,389 S *	7/2006	Yu	D28/13
D559,443 S *	1/2008	Smith et al.	D28/13
D580,594 S *	11/2008	Leing	D28/13

* cited by examiner

Primary Examiner—Janice E Seeger

Assistant Examiner—Zenita I Bennett

(74) *Attorney, Agent, or Firm*—Intellectual Property Law Group LLP; Juneko Jackson; Otto O. Lee

(57) **CLAIM**

The ornamental design for a hair dryer, as shown and described.

DESCRIPTION

FIG. 1 is a perspective view of a hair dryer embodying my new design;

FIG. 2 is a left side elevational view thereof;

FIG. 3 is a right side elevational view thereof;

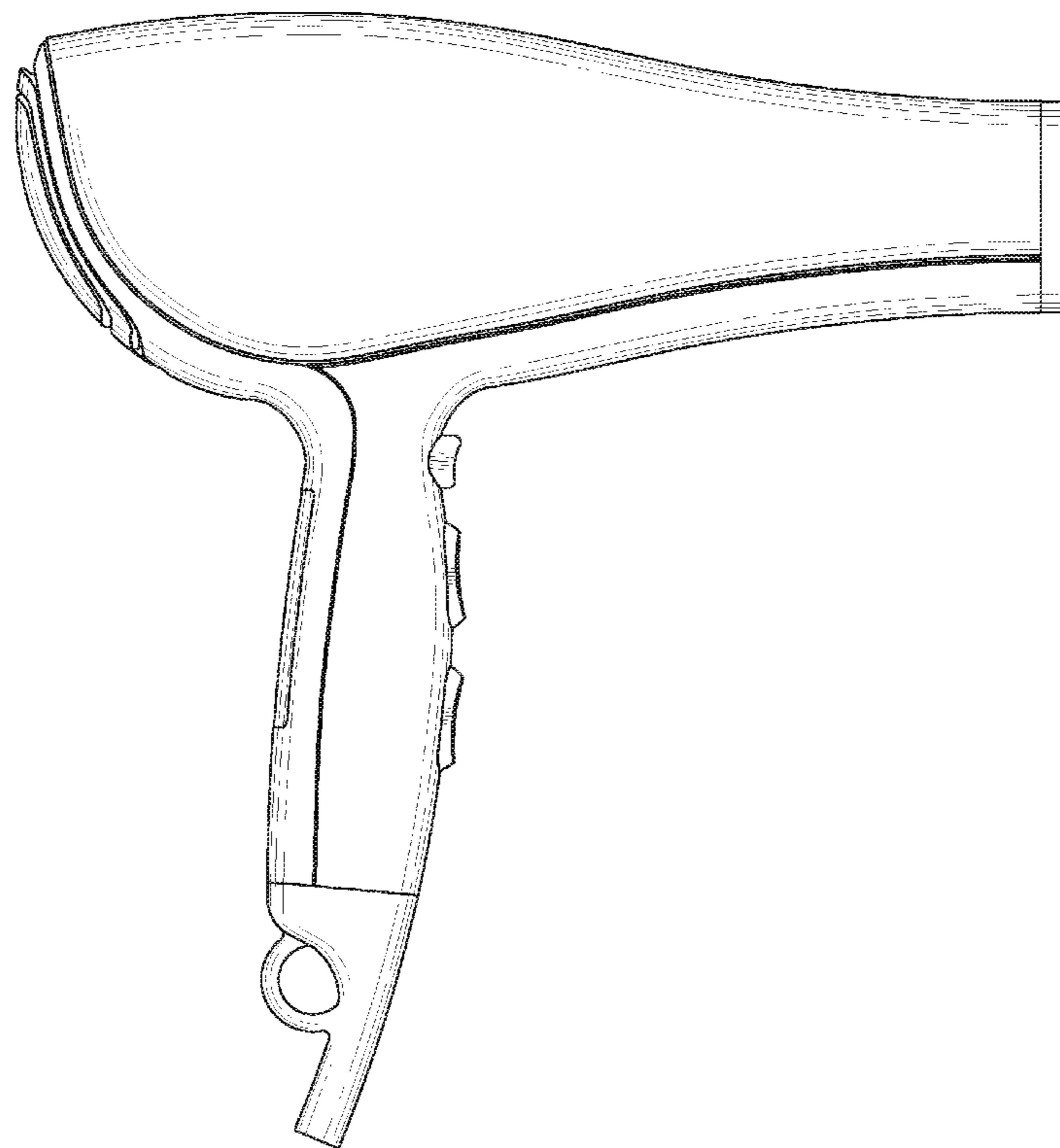
FIG. 4 is a rear elevational view thereof; the front elevational view being a mirror image thereof;

FIG. 5 is a top plan view thereof; and,

FIG. 6 is a bottom plan view thereof.

The broken lines are for environmental purposes only and form no part of the claimed design.

1 Claim, 4 Drawing Sheets



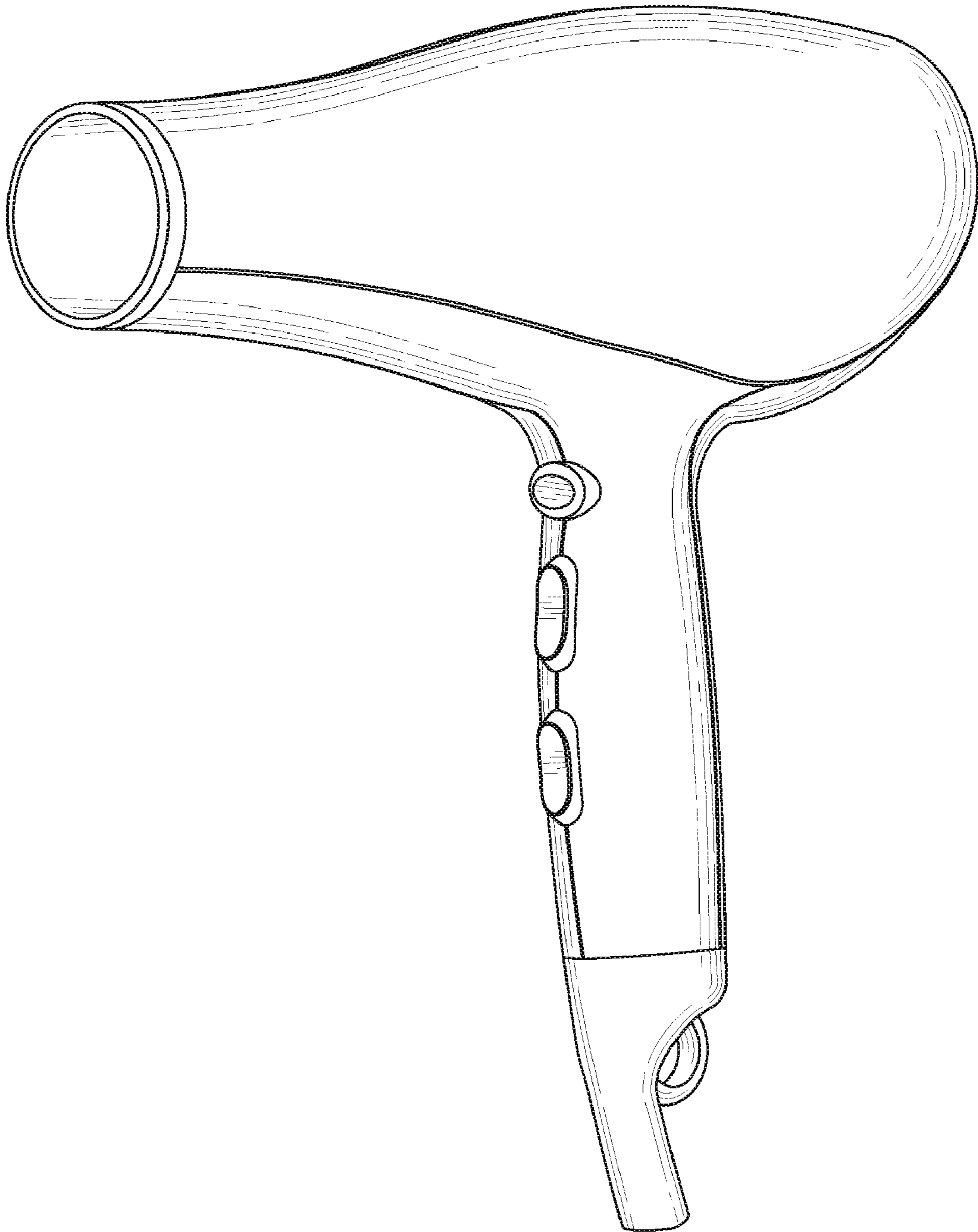


FIG. 1

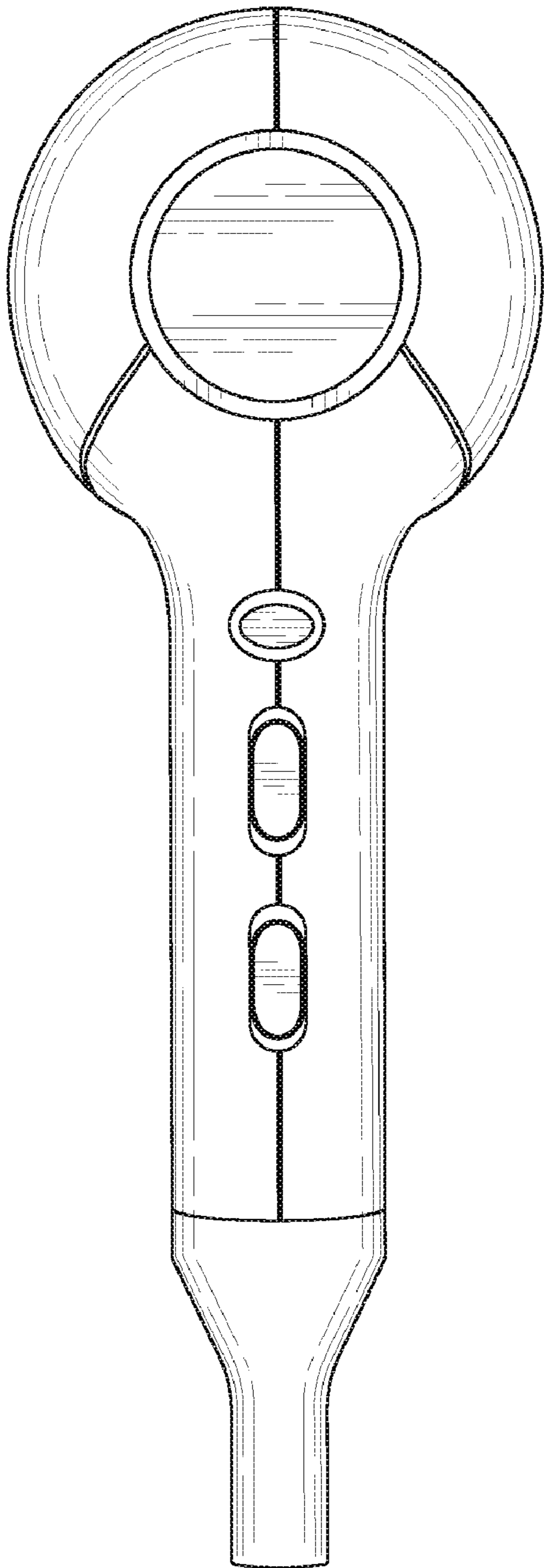


FIG. 2

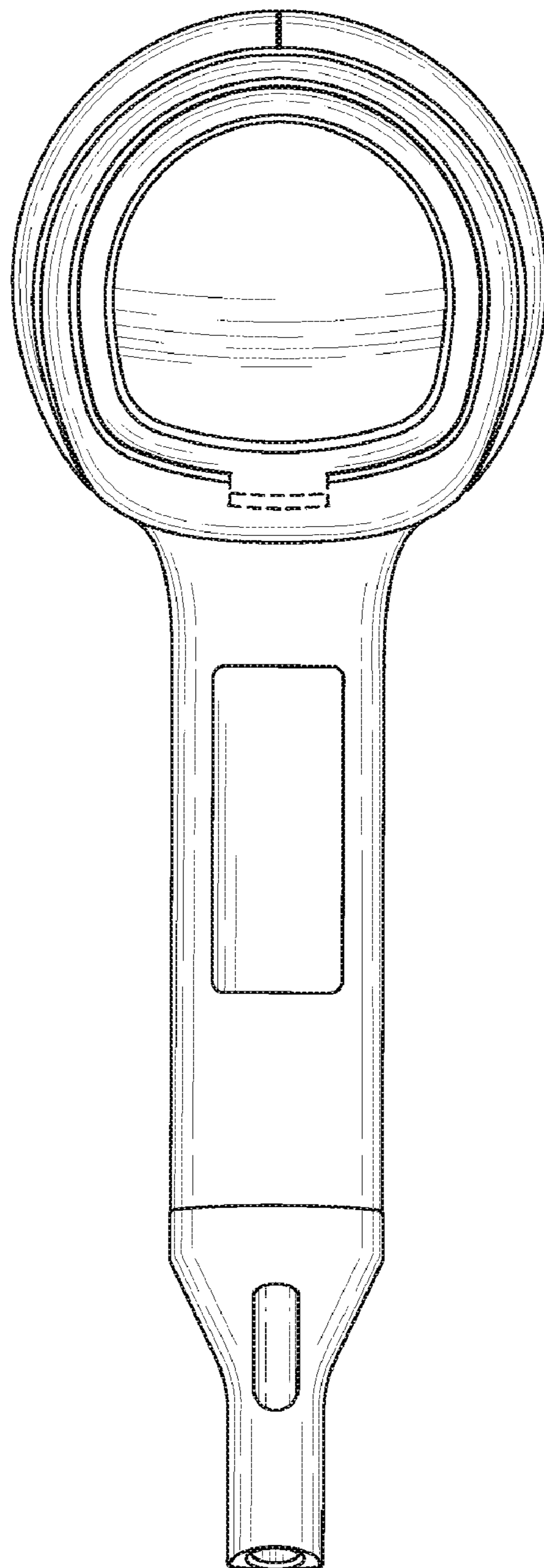


FIG. 3

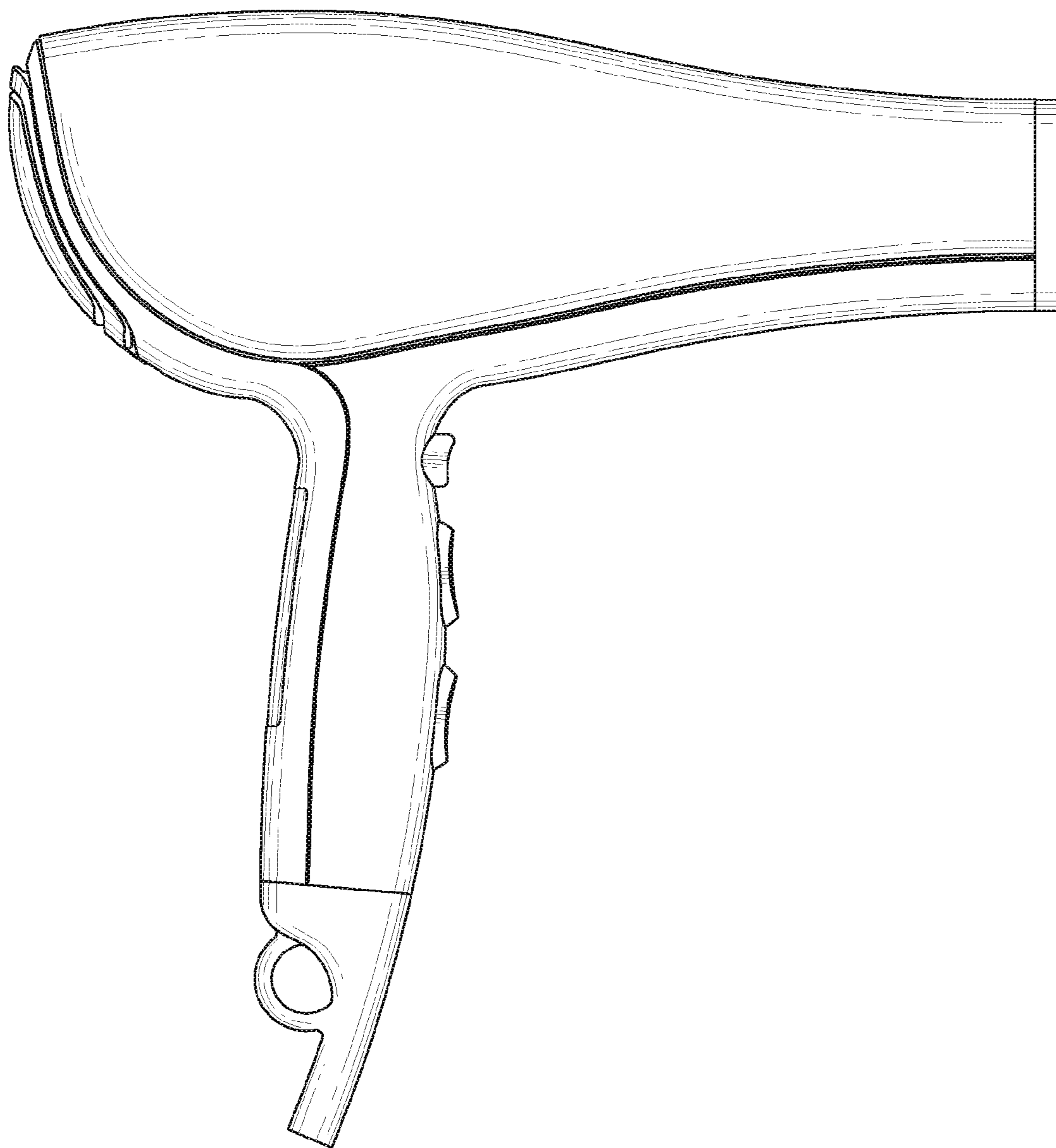


FIG. 4

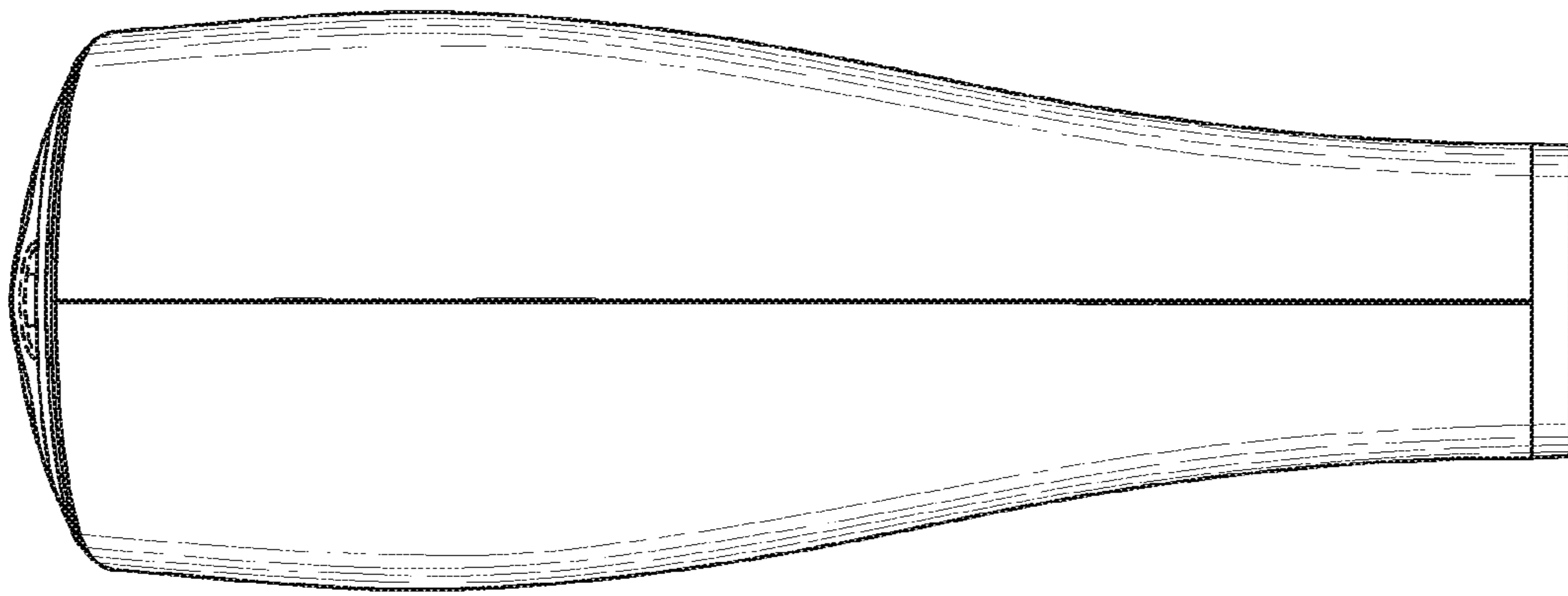


FIG. 5

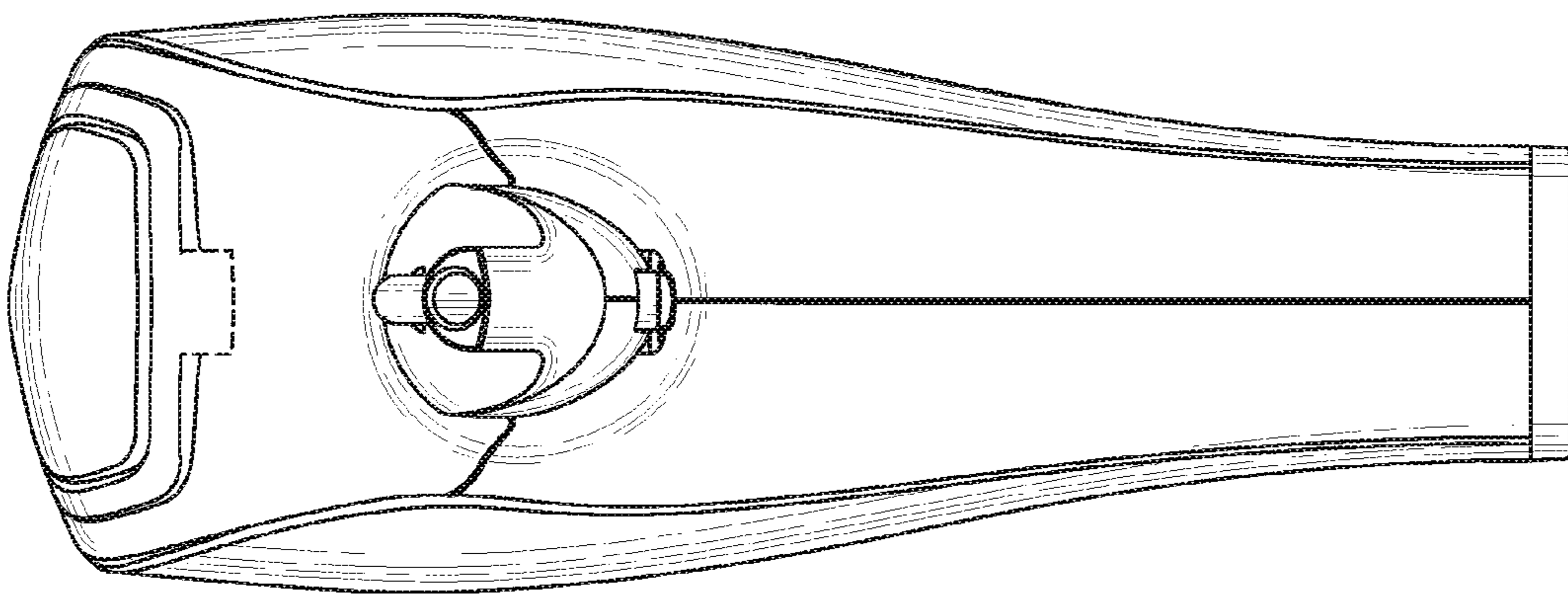


FIG. 6