



US00D604899S

(12) **United States Design Patent**
Habibi

(10) **Patent No.:** **US D604,899 S**

(45) **Date of Patent:** **** Nov. 24, 2009**

(54) **HAIR DRYER**

D544,998 S * 6/2007 Petruccelli D28/13
D559,443 S * 1/2008 Smith et al. D28/13

(76) Inventor: **Masood Habibi**, 9663 Santa Monica Blvd., Beverly Hills, CA (US) 90210

* cited by examiner

(**) Term: **14 Years**

Primary Examiner—Janice E Seeger

Assistant Examiner—Zenia I Bennett

(21) Appl. No.: **29/321,290**

(74) *Attorney, Agent, or Firm*—Nixon Peabody LLP; David B. Ritchie

(22) Filed: **Jul. 14, 2008**

(57) **CLAIM**

(51) **LOC (9) Cl.** **28-03**

(52) **U.S. Cl.** **D28/13**

(58) **Field of Classification Search** D28/12-19;
34/96-101; 392/380-385; 219/222

The ornamental design for a hair dryer, as shown and described.

See application file for complete search history.

DESCRIPTION

(56) **References Cited**

FIG. 1 is a front right side perspective view of a hair dryer showing my new design;

U.S. PATENT DOCUMENTS

FIG. 2 is a right-side elevational view thereof;

D280,338 S *	8/1985	Skarsten	D8/29.1
D398,418 S *	9/1998	Garrett et al.	D28/13
D425,243 S *	5/2000	Mattis	D28/13
D428,528 S *	7/2000	Deguines	D28/13
D432,716 S *	10/2000	Goetschi	D28/13
D445,216 S *	7/2001	Spagnolo	D28/13
D472,345 S *	3/2003	Eddinger et al.	D28/13
D494,318 S *	8/2004	Nishizawa et al.	D28/13
D502,783 S *	3/2005	Yeung	D28/13
D518,918 S *	4/2006	Rizzuto et al.	D28/13
D529,230 S *	9/2006	Koenemann	D28/13

FIG. 3 is a left-side elevational view thereof;

FIG. 4 is a top plan view thereof;

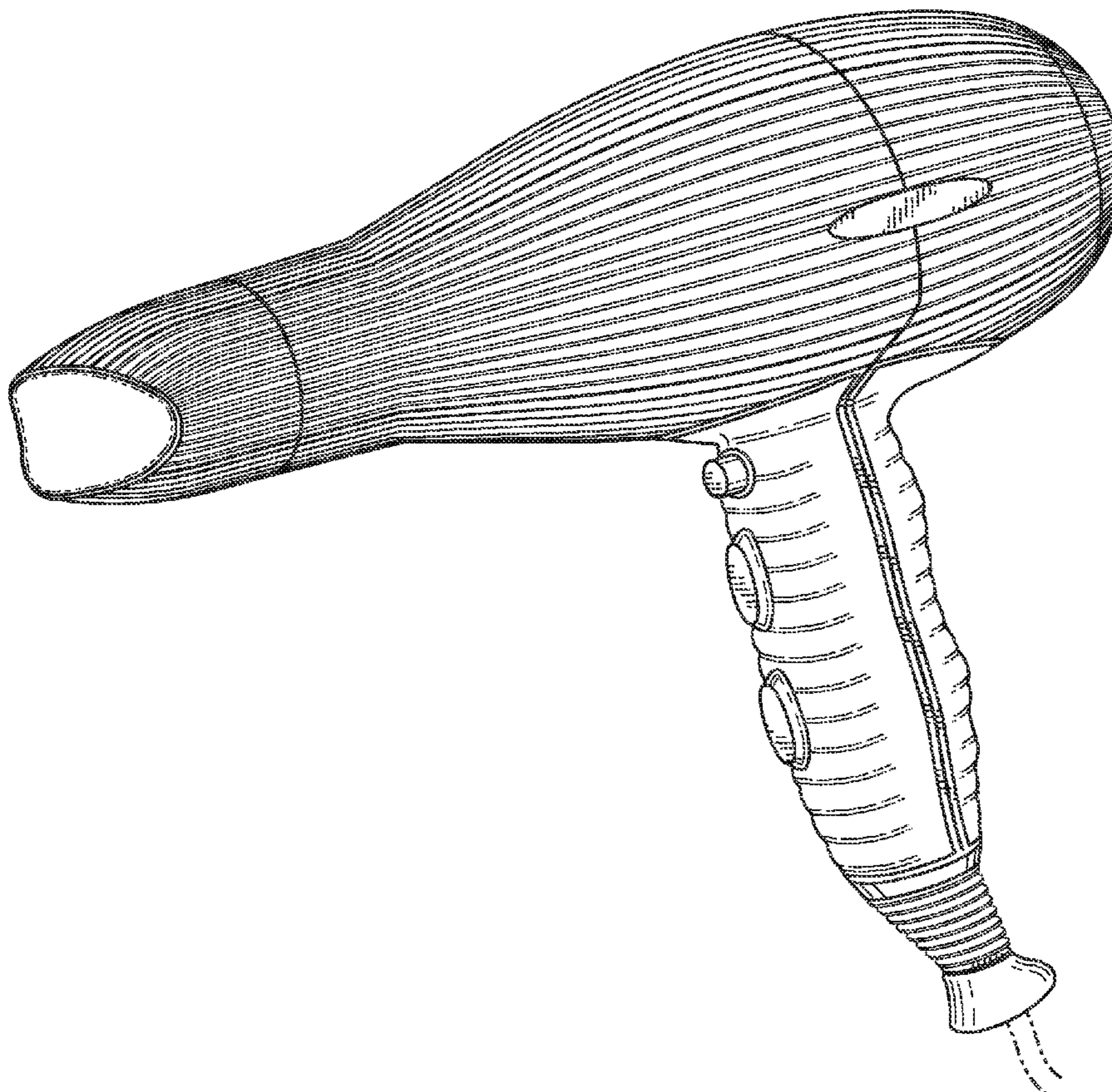
FIG. 5 is a bottom view thereof;

FIG. 6 is a front elevational view thereof; and,

FIG. 7 is a rear elevational view thereof.

The broken lines are for environmental purposes only and form no part of the claimed design.

1 Claim, 5 Drawing Sheets



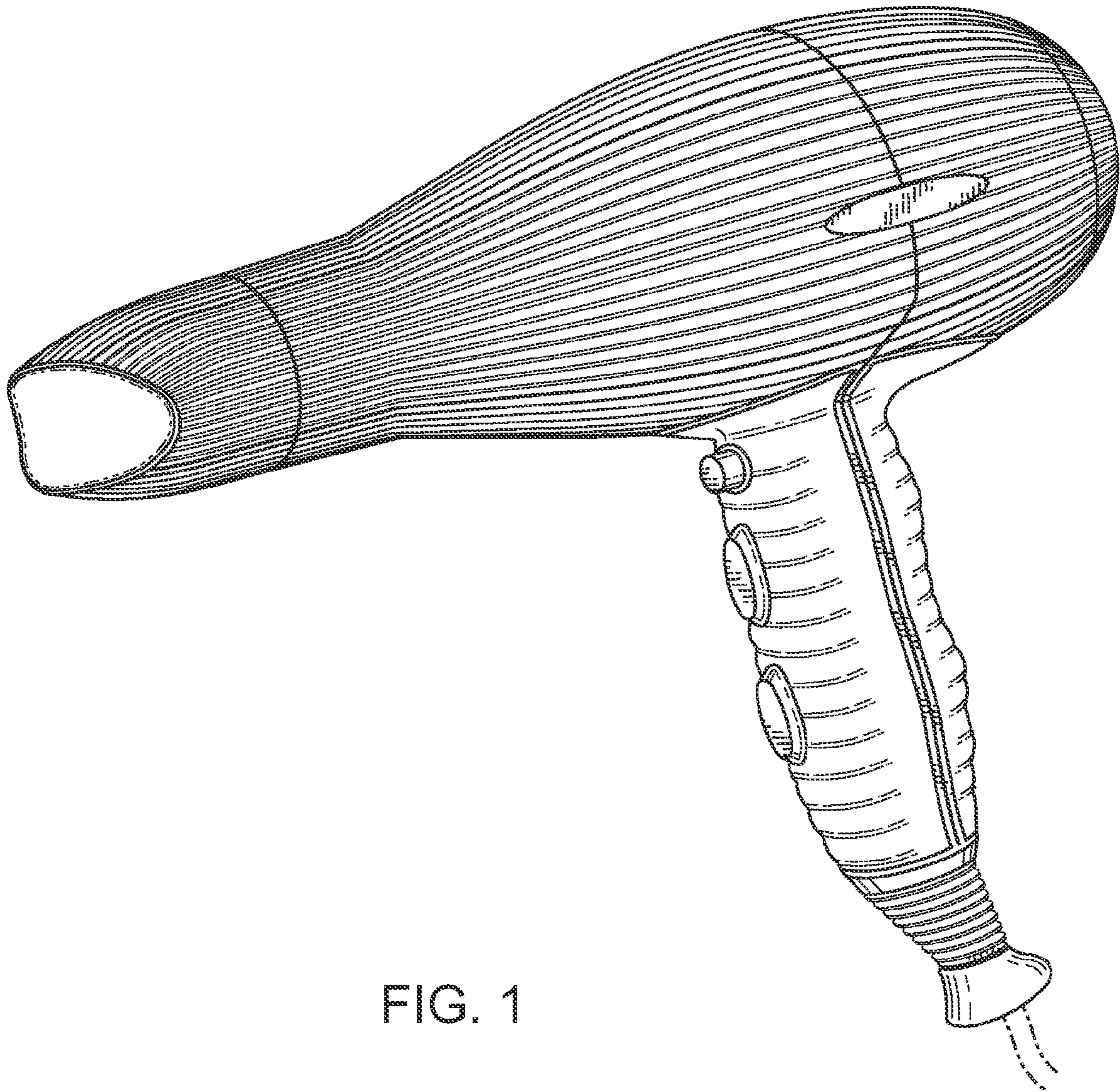


FIG. 1

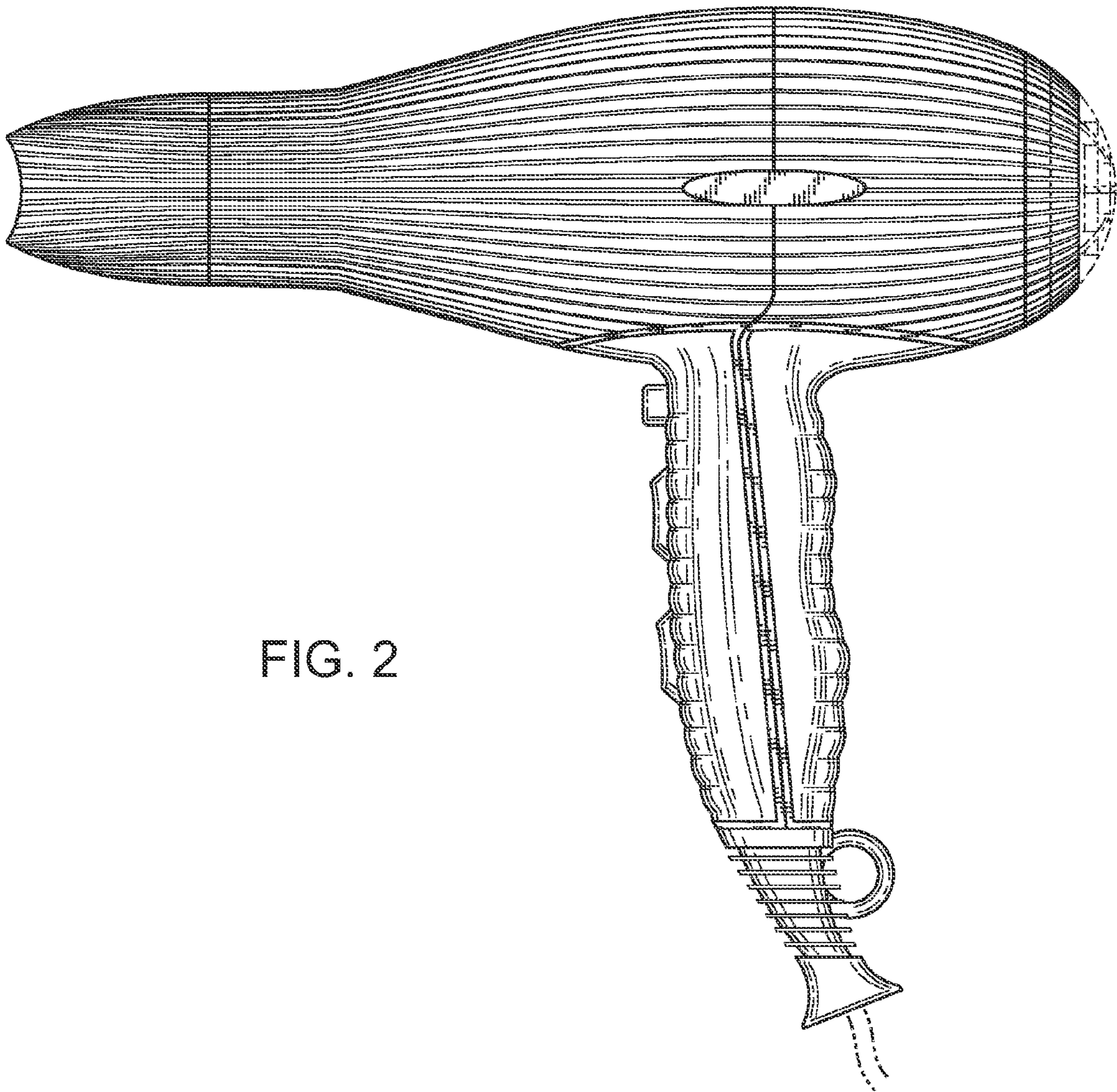


FIG. 2

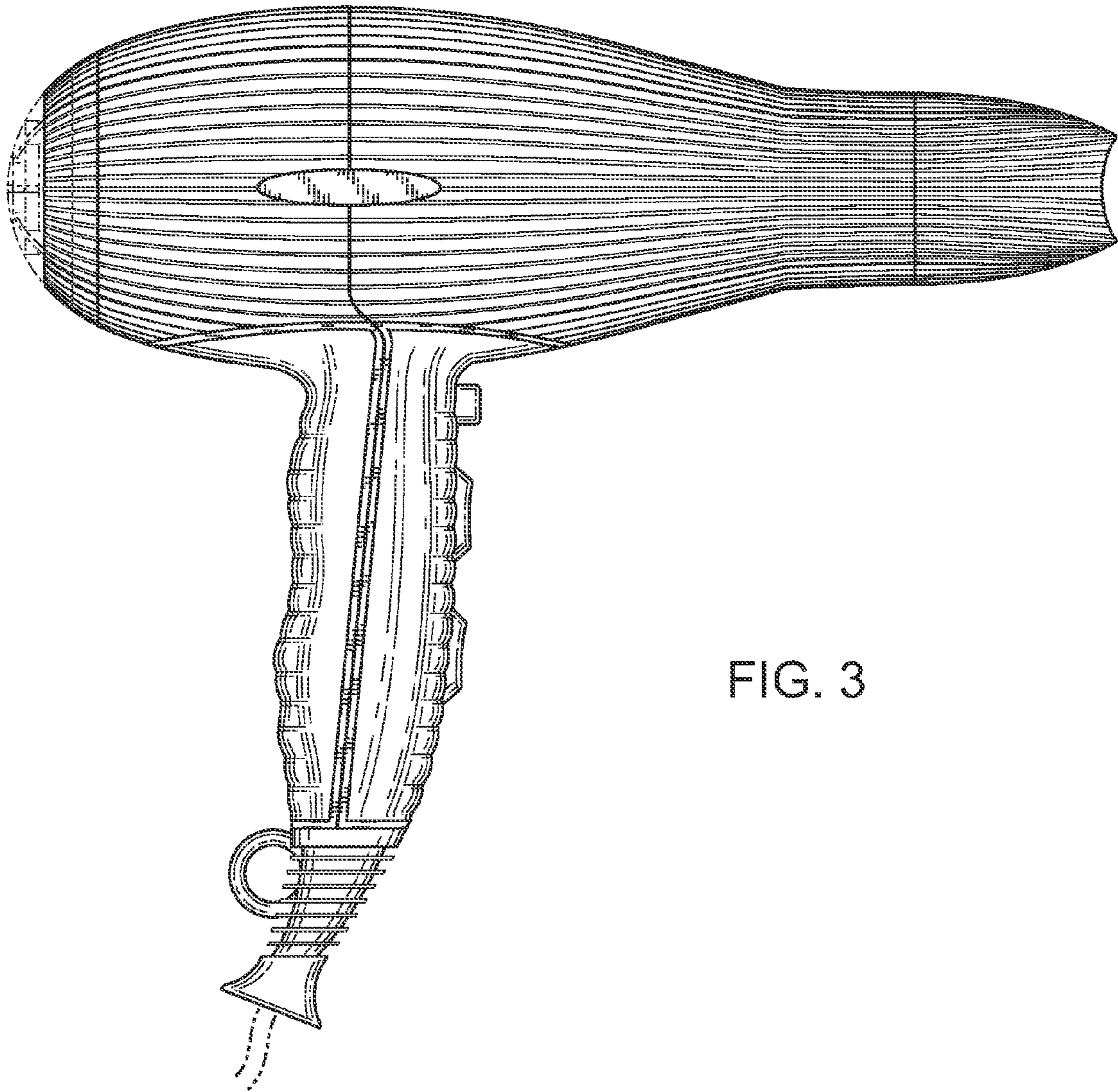


FIG. 3

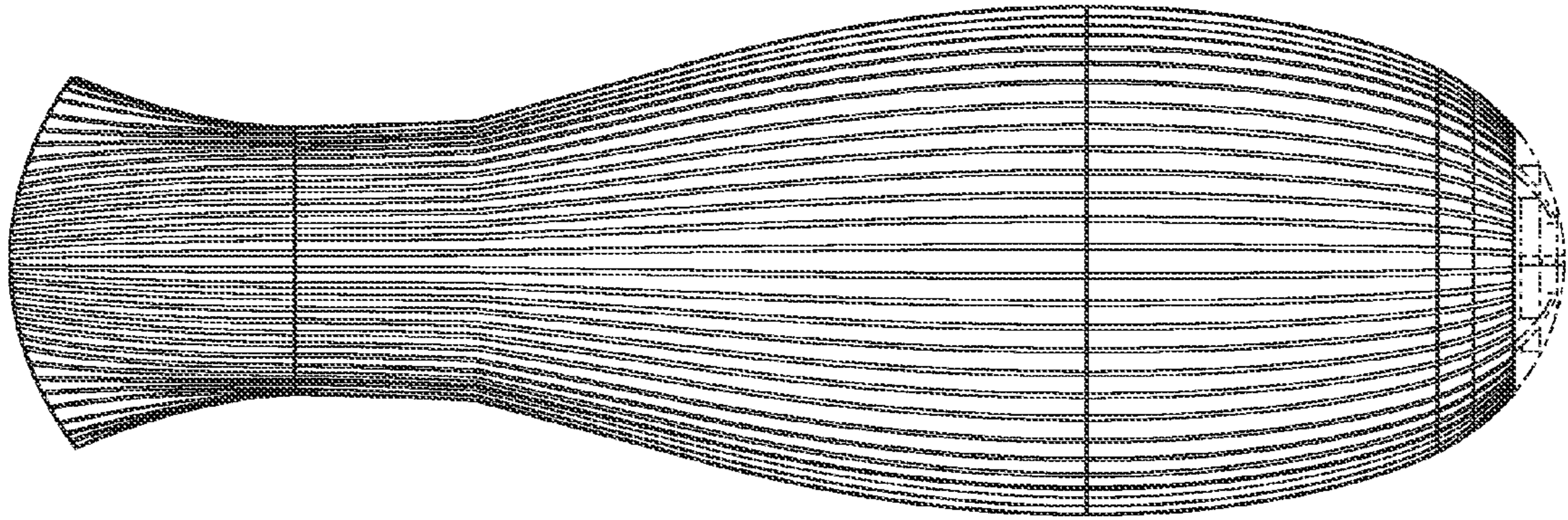


FIG. 4

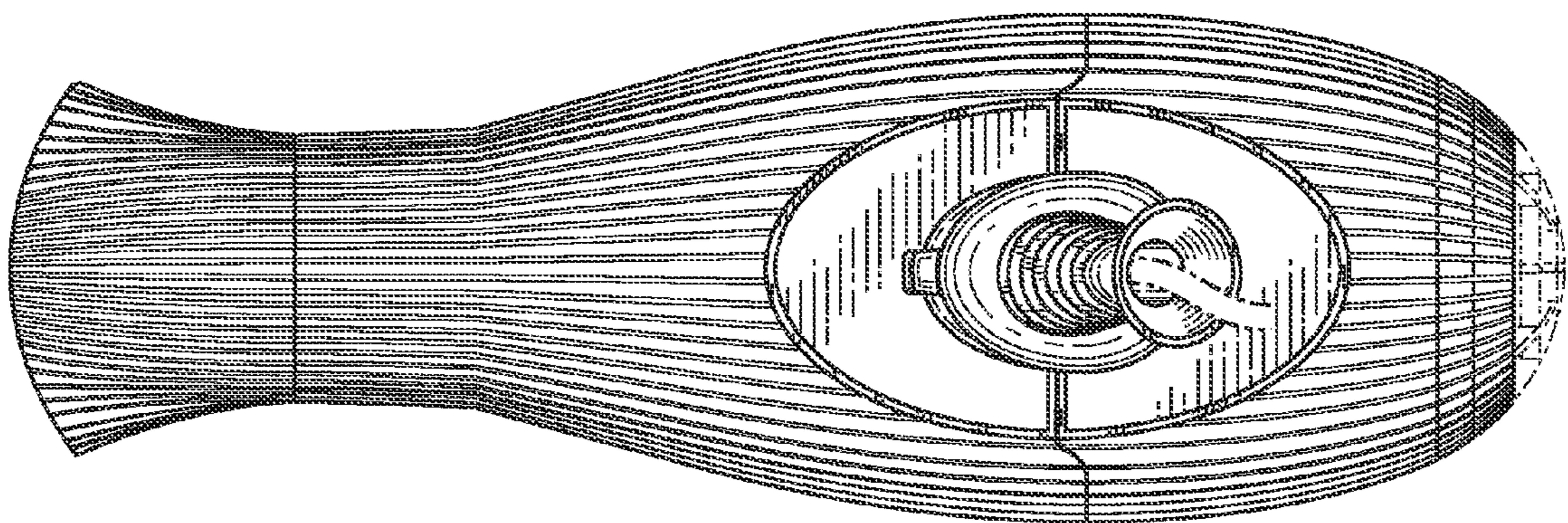


FIG. 5

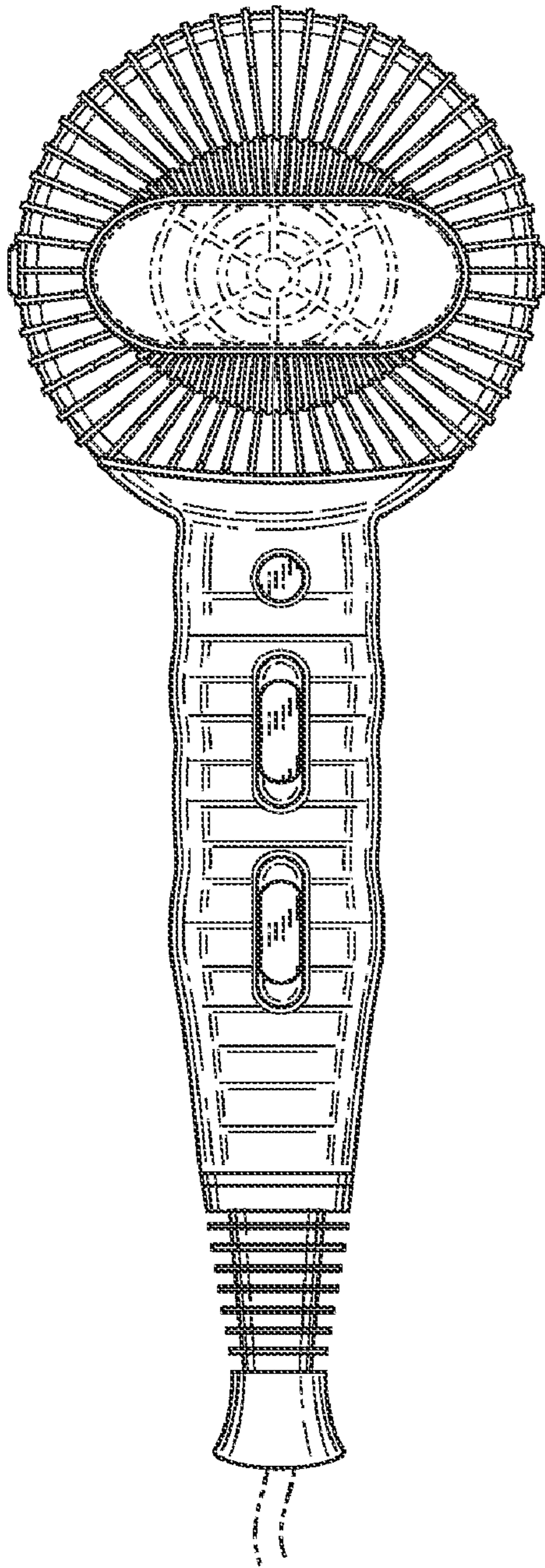


FIG. 6

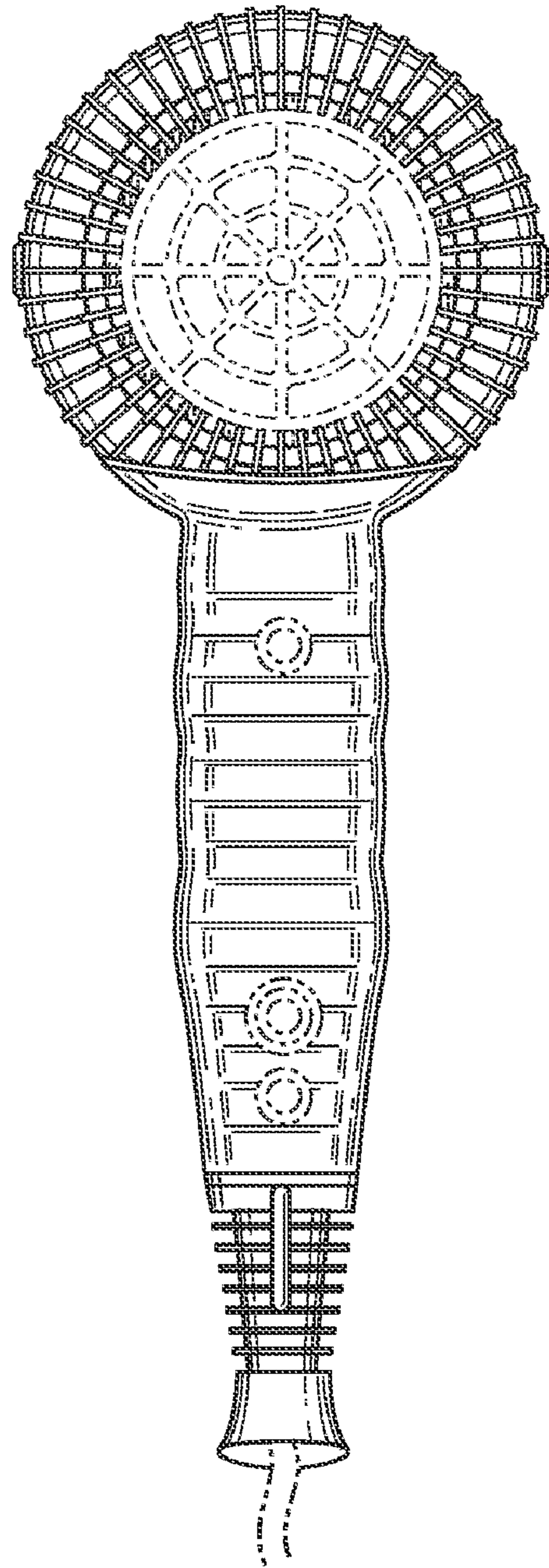


FIG. 7