



US00D604898S

(12) **United States Design Patent**
Parodi

(10) **Patent No.:** **US D604,898 S**

(45) **Date of Patent:** **** Nov. 24, 2009**

(54) **ELECTRIC HAIR DRYER**

(75) Inventor: **Paolo Parodi**, Milan (IT)

(73) Assignee: **Parlux S.p.A.**, Trezzano Sul Naviglio
(Milan) (IT)

(**) Term: **14 Years**

(21) Appl. No.: **29/274,259**

(22) Filed: **Apr. 10, 2007**

(51) **LOC (9) Cl.** **28-03**

(52) **U.S. Cl.** **D28/13**

(58) **Field of Classification Search** D28/12-19;
34/96-101; 392/380, 381, 382, 383, 384,
392/385; 219/222

See application file for complete search history.

(56) **References Cited**

U.S. PATENT DOCUMENTS

D460,214 S *	7/2002	Parodi	D28/13
D470,975 S *	2/2003	Rizzuto, Jr.	D28/13
D470,976 S *	2/2003	Rizzuto, Jr.	D28/13
D494,710 S *	8/2004	Parodi	D28/13
D496,754 S *	9/2004	Parodi	D28/13
D518,919 S *	4/2006	Parodi	D28/13
D527,145 S *	8/2006	Zimmermann	D28/13

D528,698 S *	9/2006	Rizzuto, Jr.	D28/13
D529,230 S *	9/2006	Koenemann	D28/13
D541,981 S *	5/2007	Ceva	D28/13
D543,313 S *	5/2007	Petruccelli, Jr.	D28/13
D544,147 S *	6/2007	Baudouin	D28/13

* cited by examiner

Primary Examiner—Janice E Seeger

Assistant Examiner—Zenita I Bennett

(74) *Attorney, Agent, or Firm*—Jacobson Holman PLLC

(57) **CLAIM**

The ornamental design for an electric hair dryer, as shown and described.

DESCRIPTION

FIG. 1 is a right side elevational view showing my new design;

FIG. 2 is a front elevational view;

FIG. 3 is a rear elevational view;

FIG. 4 is a left side elevational view; and,

FIG. 5 is a top plan view.

The broken lines in the drawings are for illustrative purposes only and form no part of the claimed design.

1 Claim, 5 Drawing Sheets

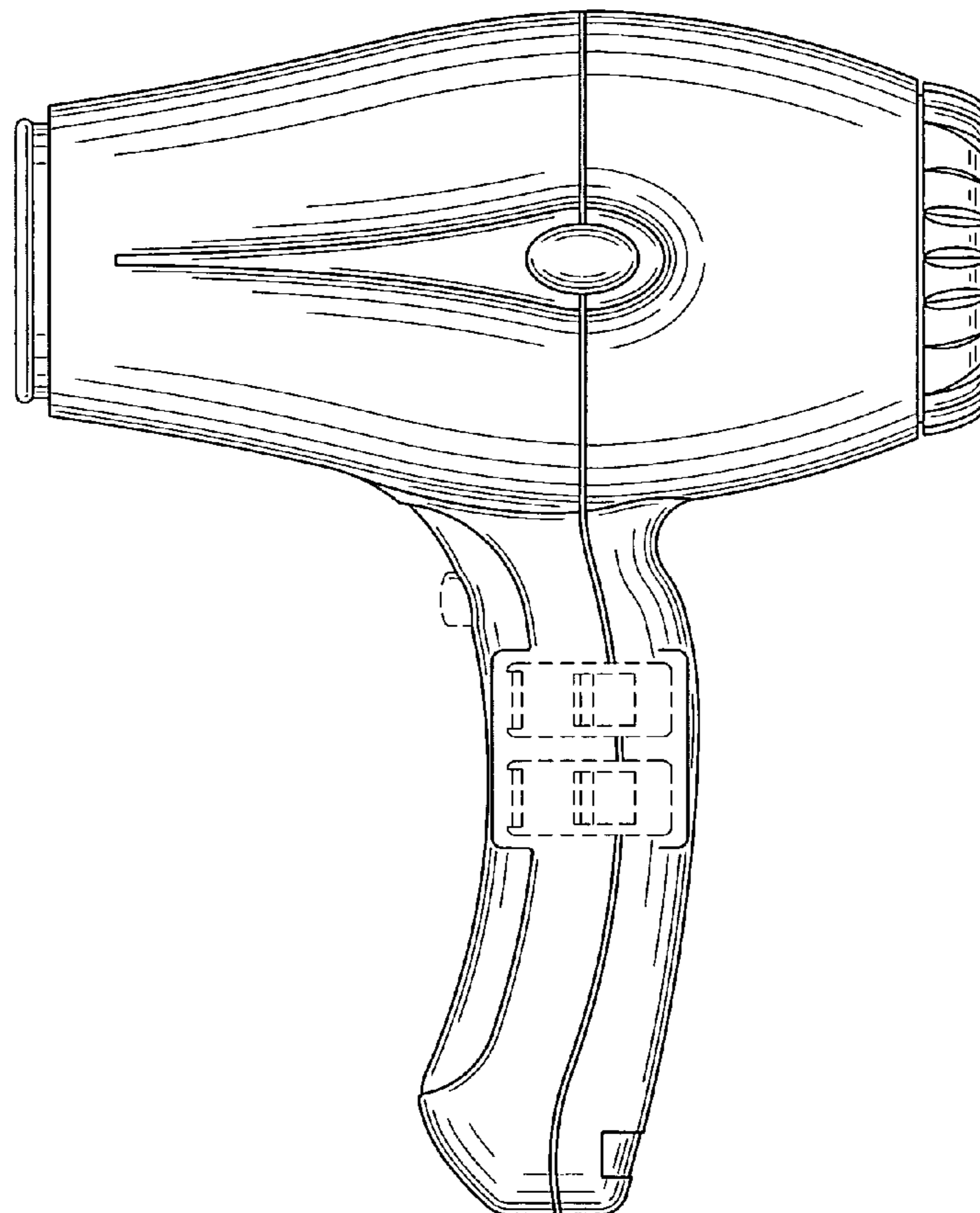


FIG. 1

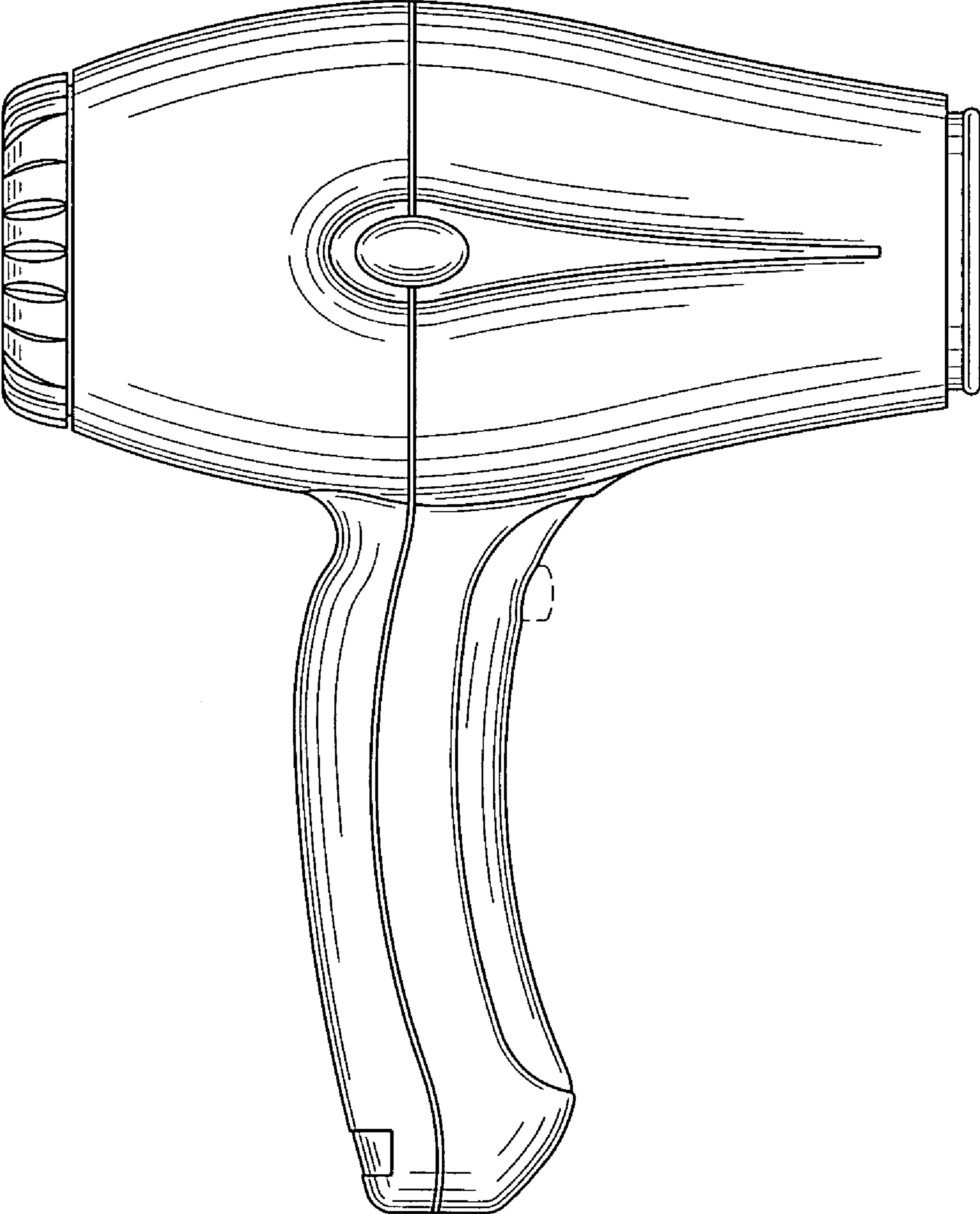


FIG. 2

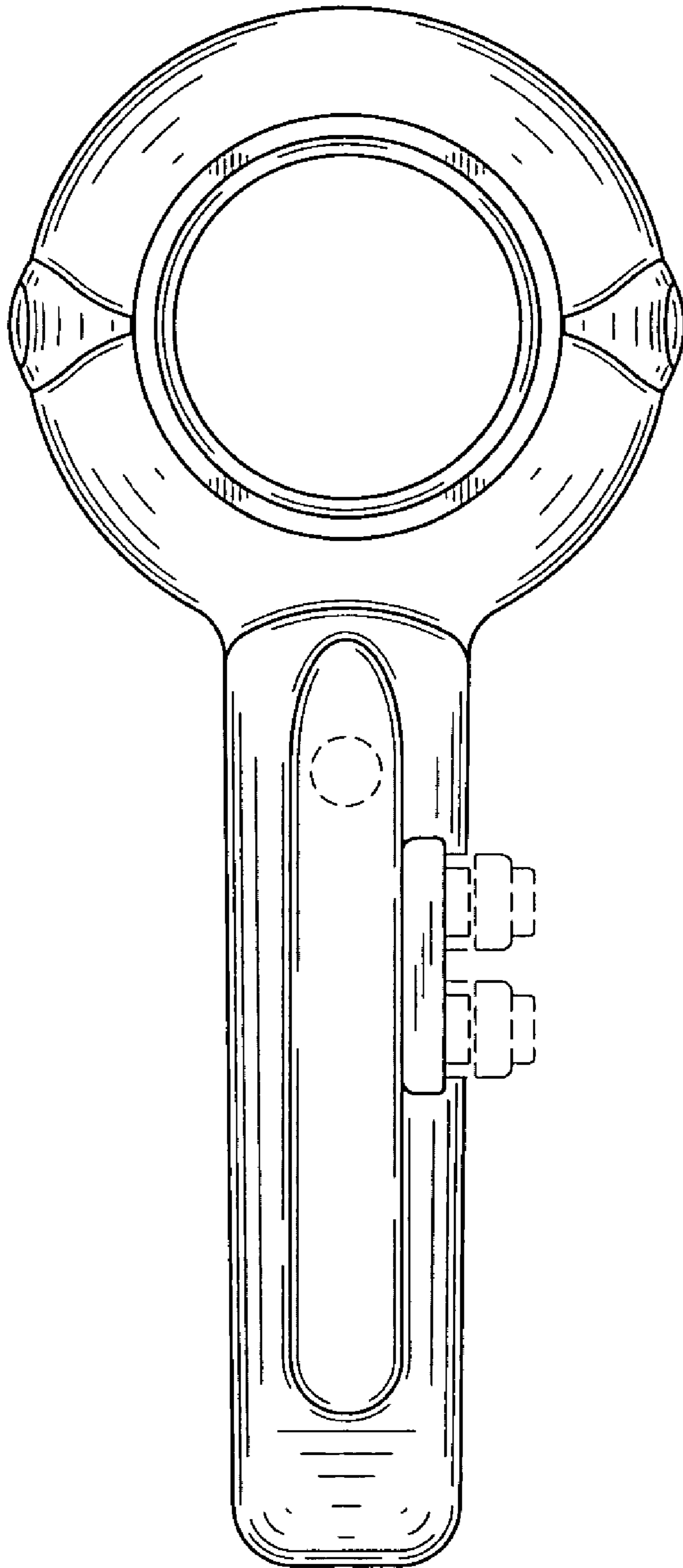


FIG. 3

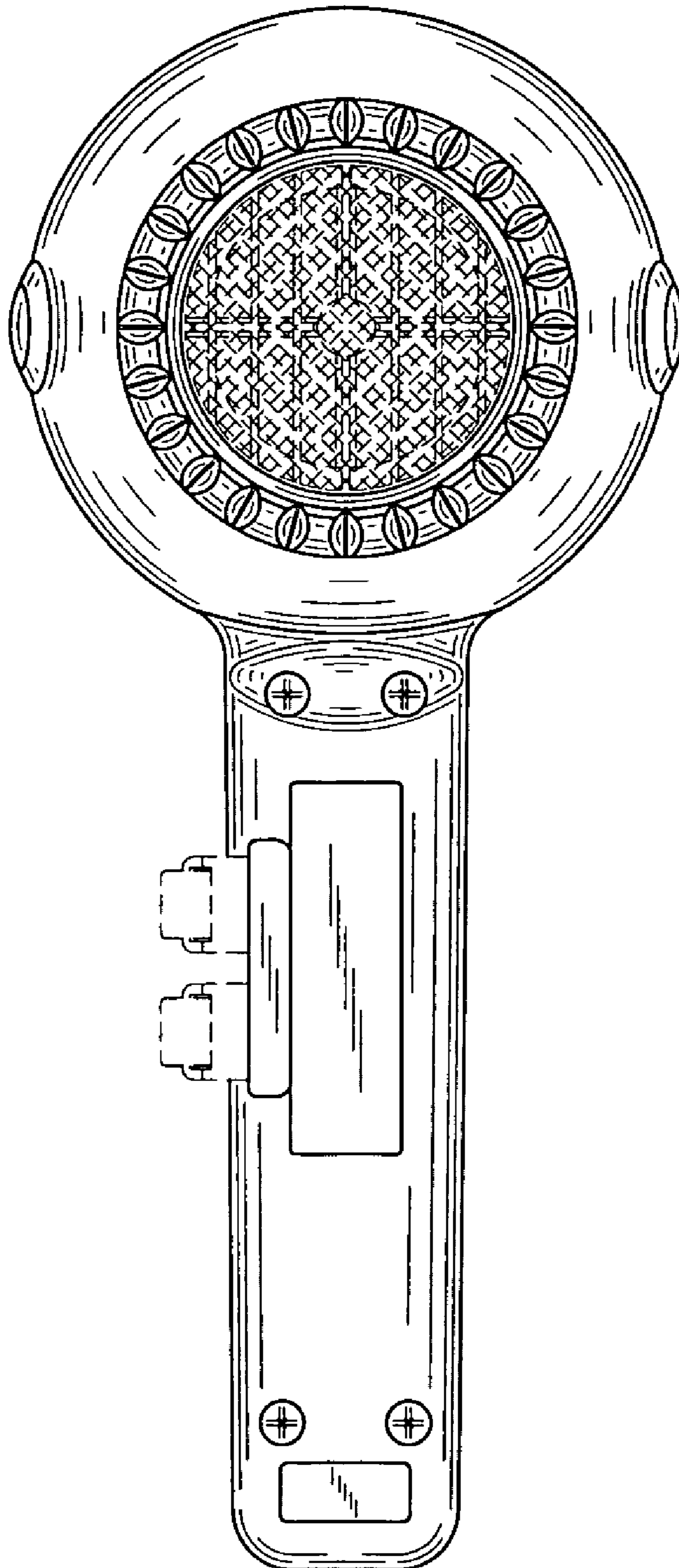


FIG. 4

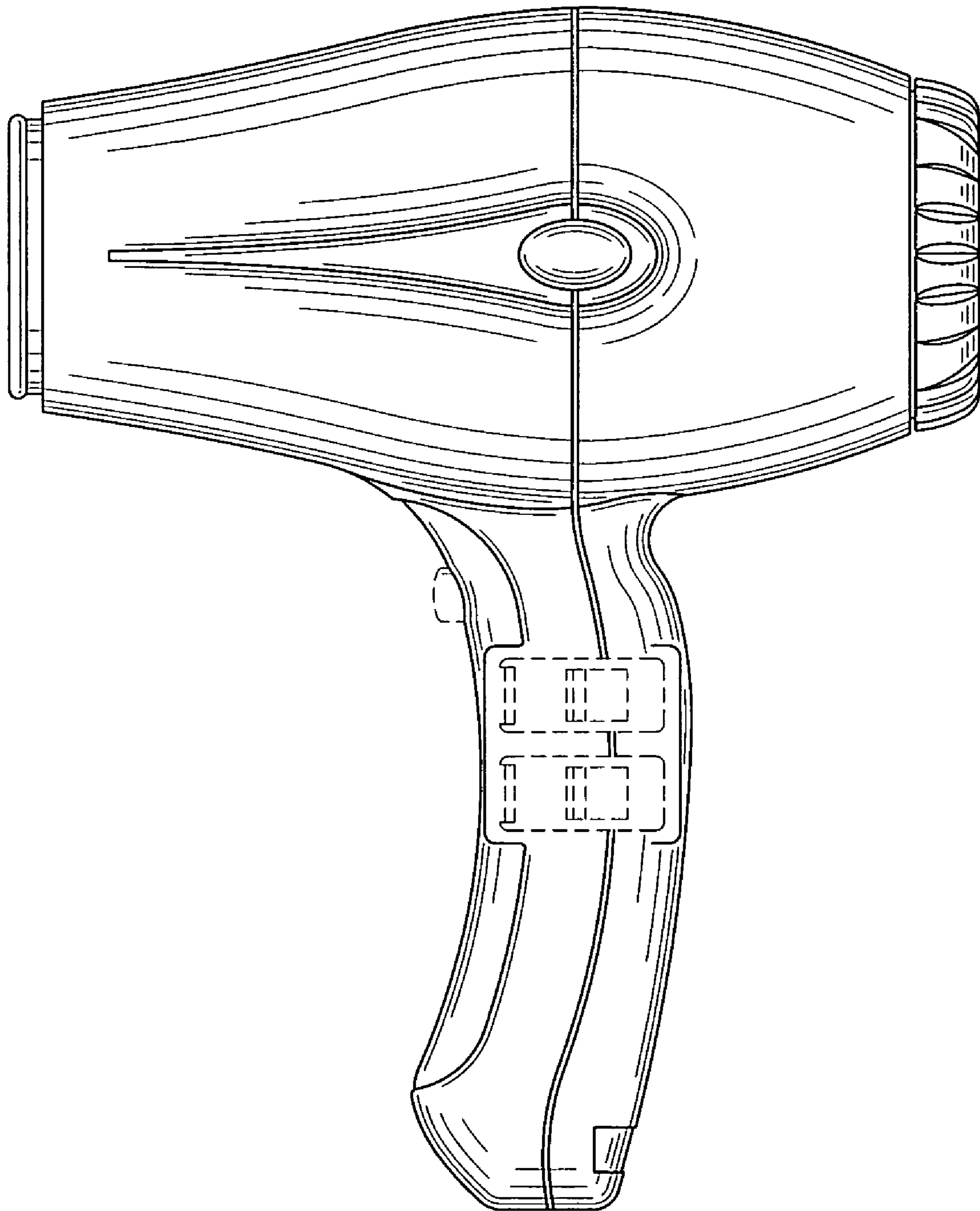


FIG. 5

