



US00D604896S

(12) **United States Design Patent**
Chen et al.

(10) **Patent No.:** **US D604,896 S**

(45) **Date of Patent:** **** Nov. 24, 2009**

(54) **CIRCULAR LAMP HOUSING**

(75) Inventors: **Pin-Chun Chen**, Chung-Ho (TW);
Chih-Wei Hsu, Chung-Ho (TW);
Po-Hsun Yu, Chung-Ho (TW);
Chun-Chiang Huang, Chung-Ho (TW)

(73) Assignee: **Edison Opto Corporation**, Taipei (TW)

(**) Term: **14 Years**

(21) Appl. No.: **29/341,974**

(22) Filed: **Aug. 16, 2009**

(51) **LOC (9) Cl.** **26-99**

(52) **U.S. Cl.** **D26/142**

(58) **Field of Classification Search** D26/85,
D26/118, 128, 142, 72, 73, 113, 120, 122,
D26/129, 130, 131, 138, 26, 61, 62, 74, 77,
D26/88, 90, 103, 104, 121, 123, 124, 132,
D26/134, 137; 362/147, 151, 644, 323, 347,
362/351, 358, 362, 364, 404

See application file for complete search history.

(56) **References Cited**

U.S. PATENT DOCUMENTS

6,371,630 B1 * 4/2002 Unger 362/365
6,375,338 B1 * 4/2002 Cummings et al. 362/276

D488,252 S * 4/2004 Benghozi D26/118
7,192,167 B1 * 3/2007 Kuo 362/362
2008/0112170 A1 * 5/2008 Trott et al. 362/311
2009/0180287 A1 * 7/2009 Tang 362/351

* cited by examiner

Primary Examiner—Cathron C Brooks

Assistant Examiner—Kevin K Rudzinski

(74) *Attorney, Agent, or Firm*—Chun-Ming Shih

(57) **CLAIM**

The ornamental design for a circular lamp housing, as shown and described.

DESCRIPTION

FIG. 1 is a perspective view of a circular lamp housing showing my new design;

FIG. 2 is a front view thereof;

FIG. 3 is a rear view thereof;

FIG. 4 is a left side view thereof;

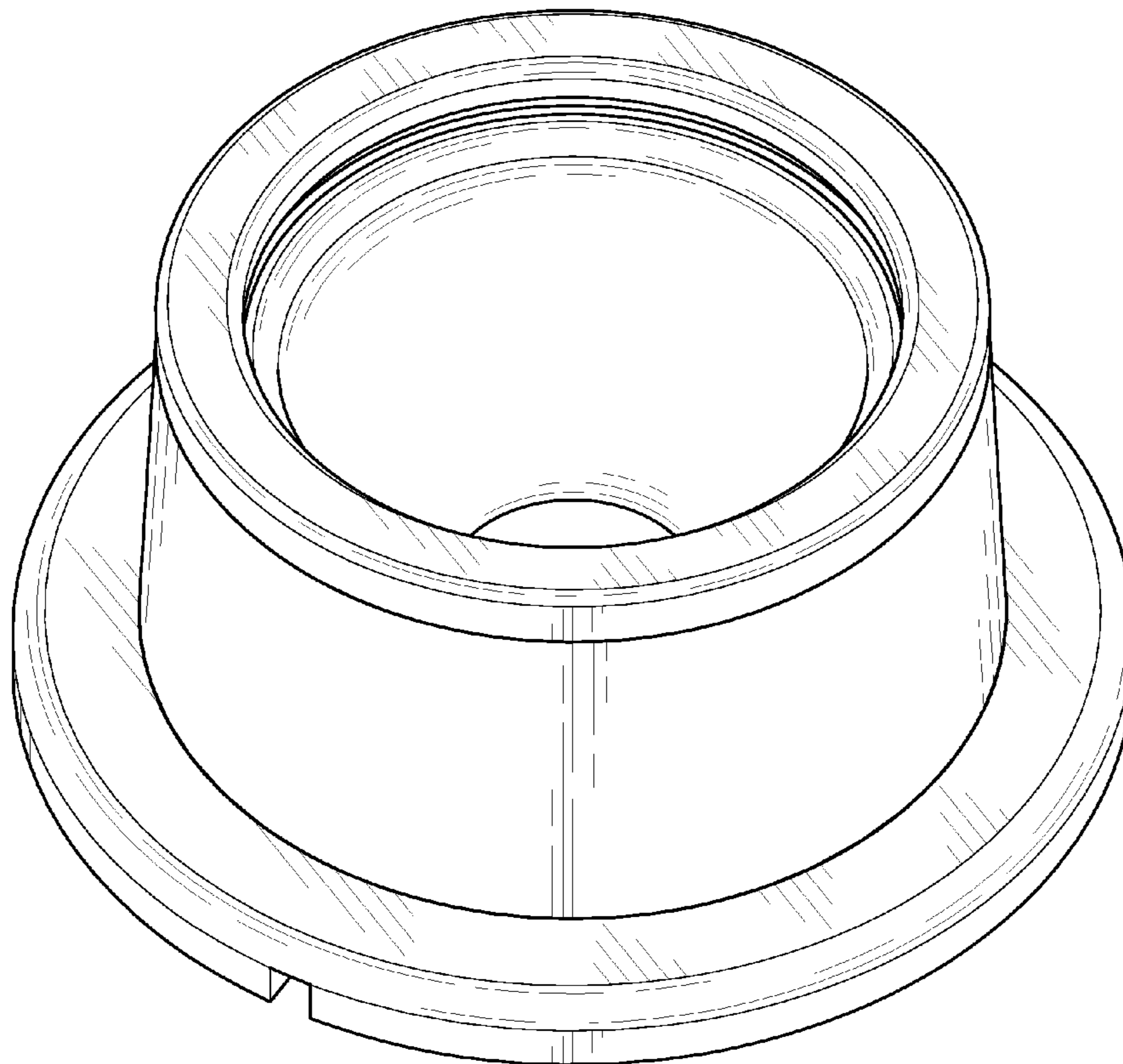
FIG. 5 is a right side view thereof;

FIG. 6 is a top view thereof;

FIG. 7 is a bottom view thereof; and,

FIG. 8 is a cross-sectional view thereof, taken along line 8—8 in FIG. 6.

1 Claim, 6 Drawing Sheets



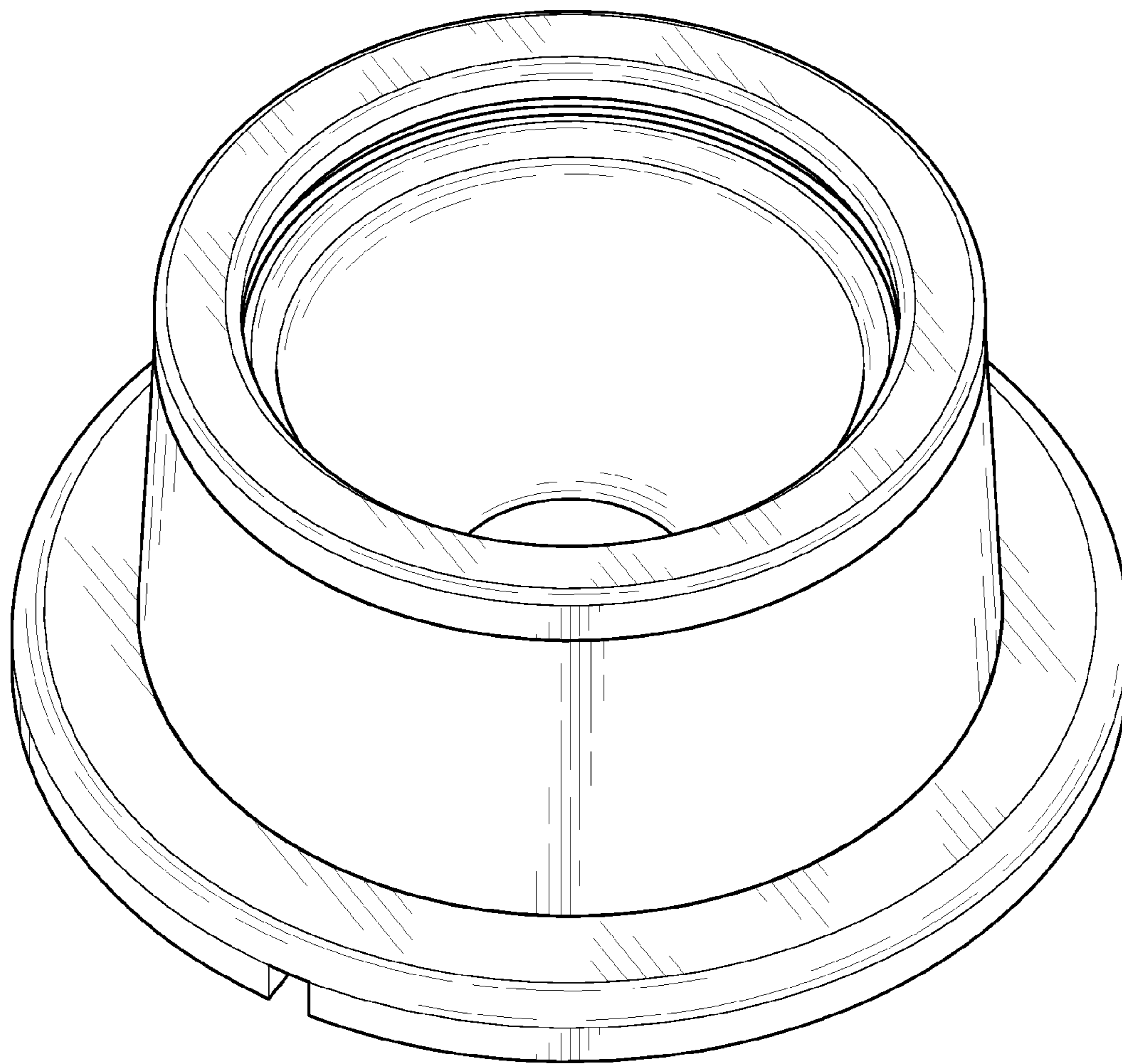


FIG.1

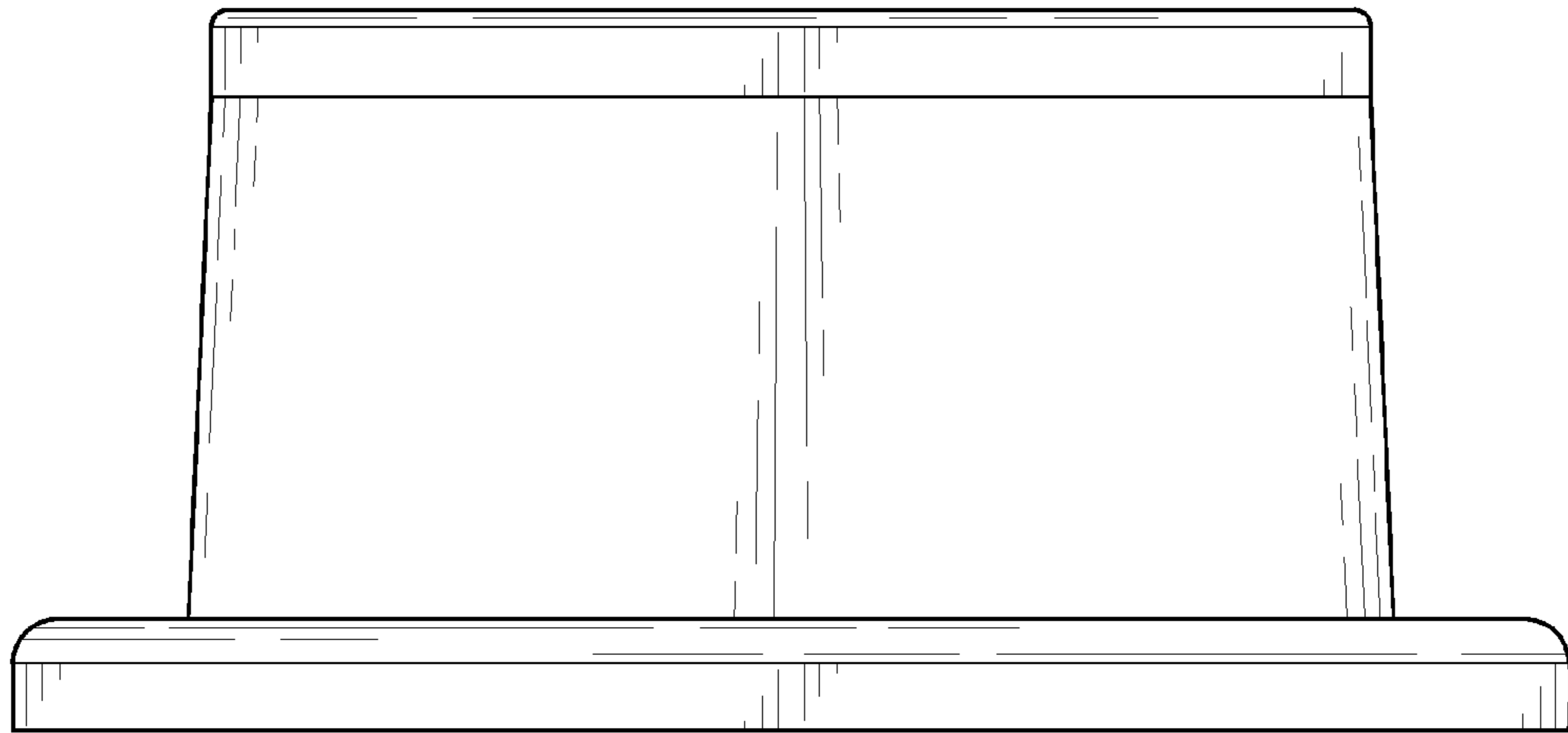


FIG.2

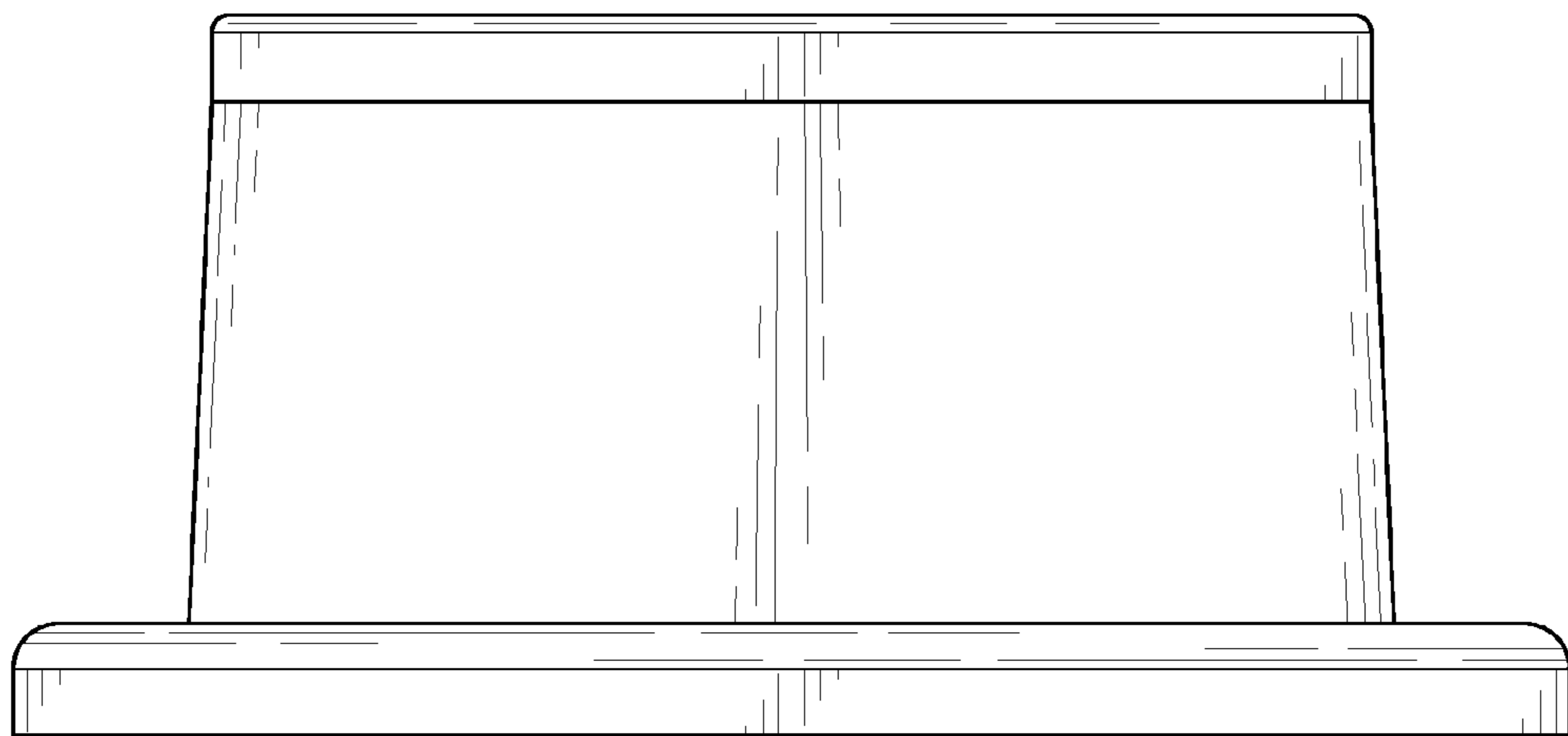


FIG.3

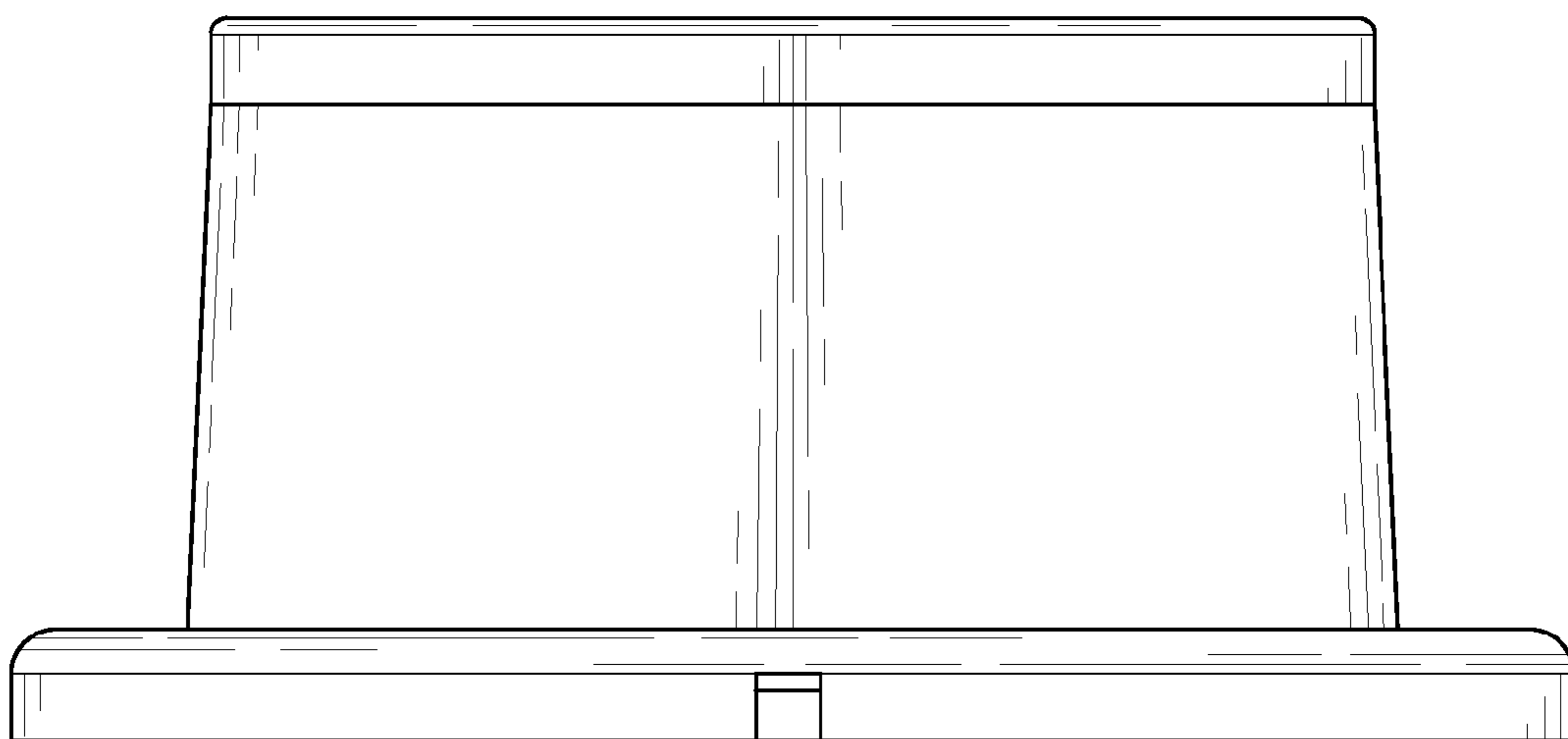


FIG. 4

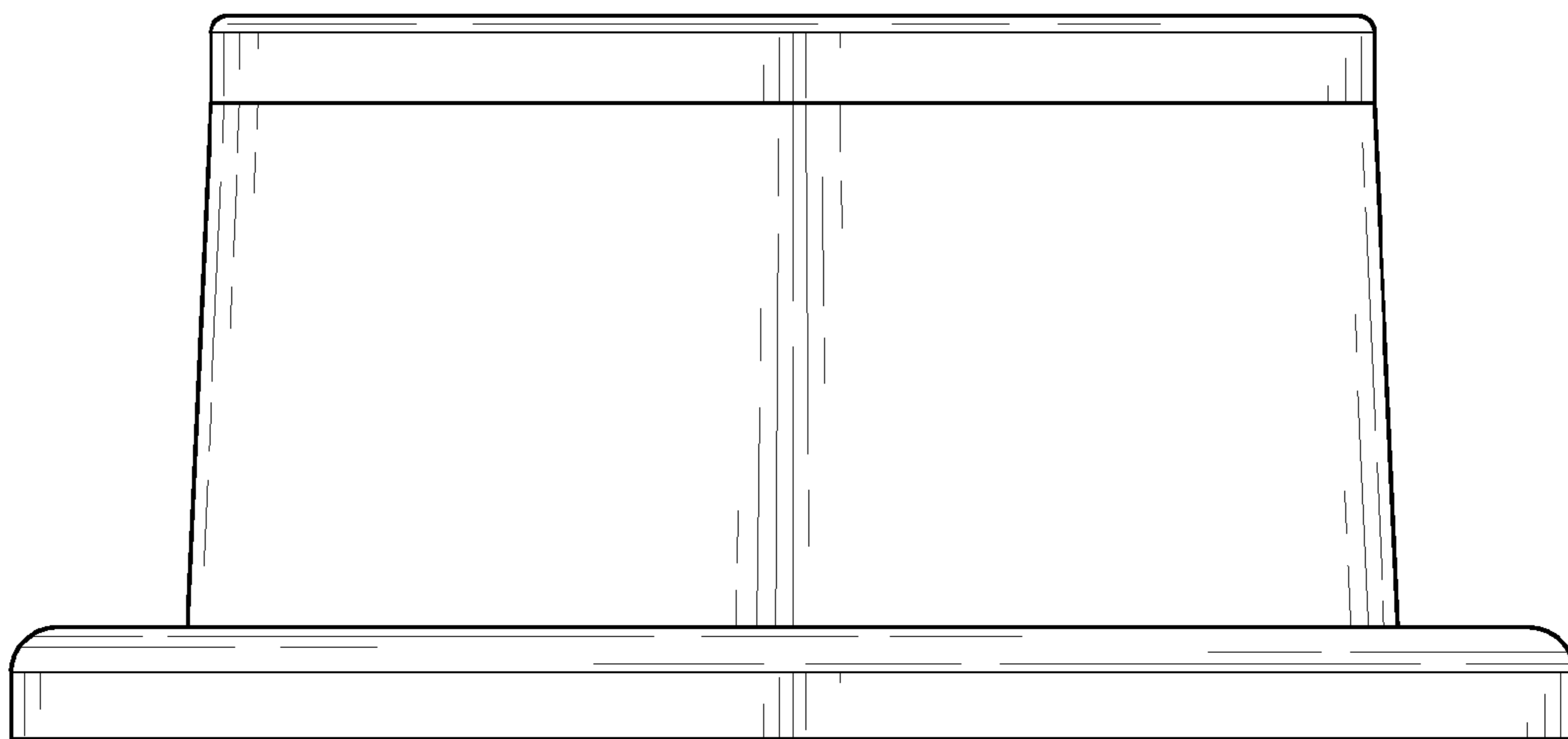


FIG. 5

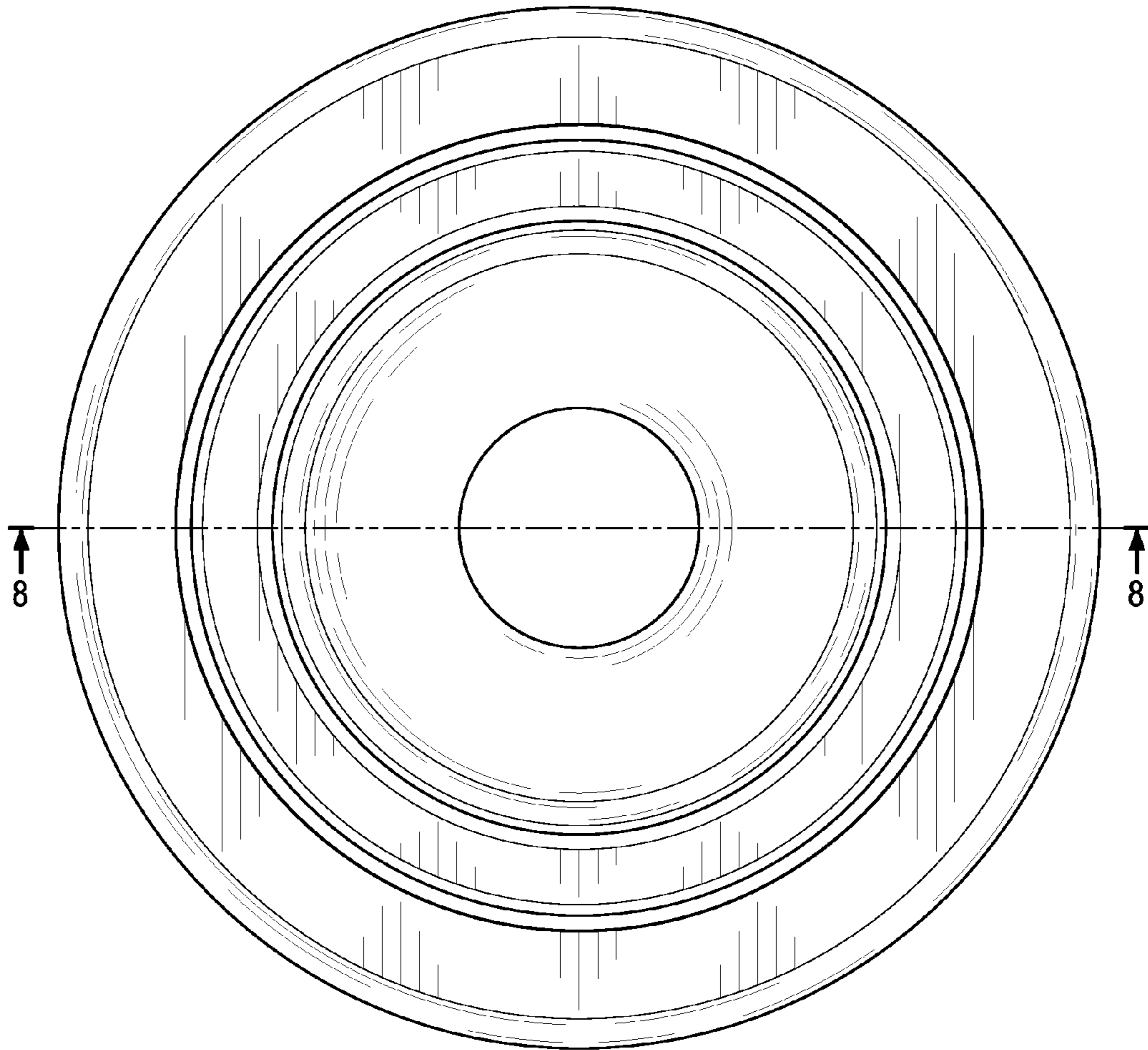


FIG.6

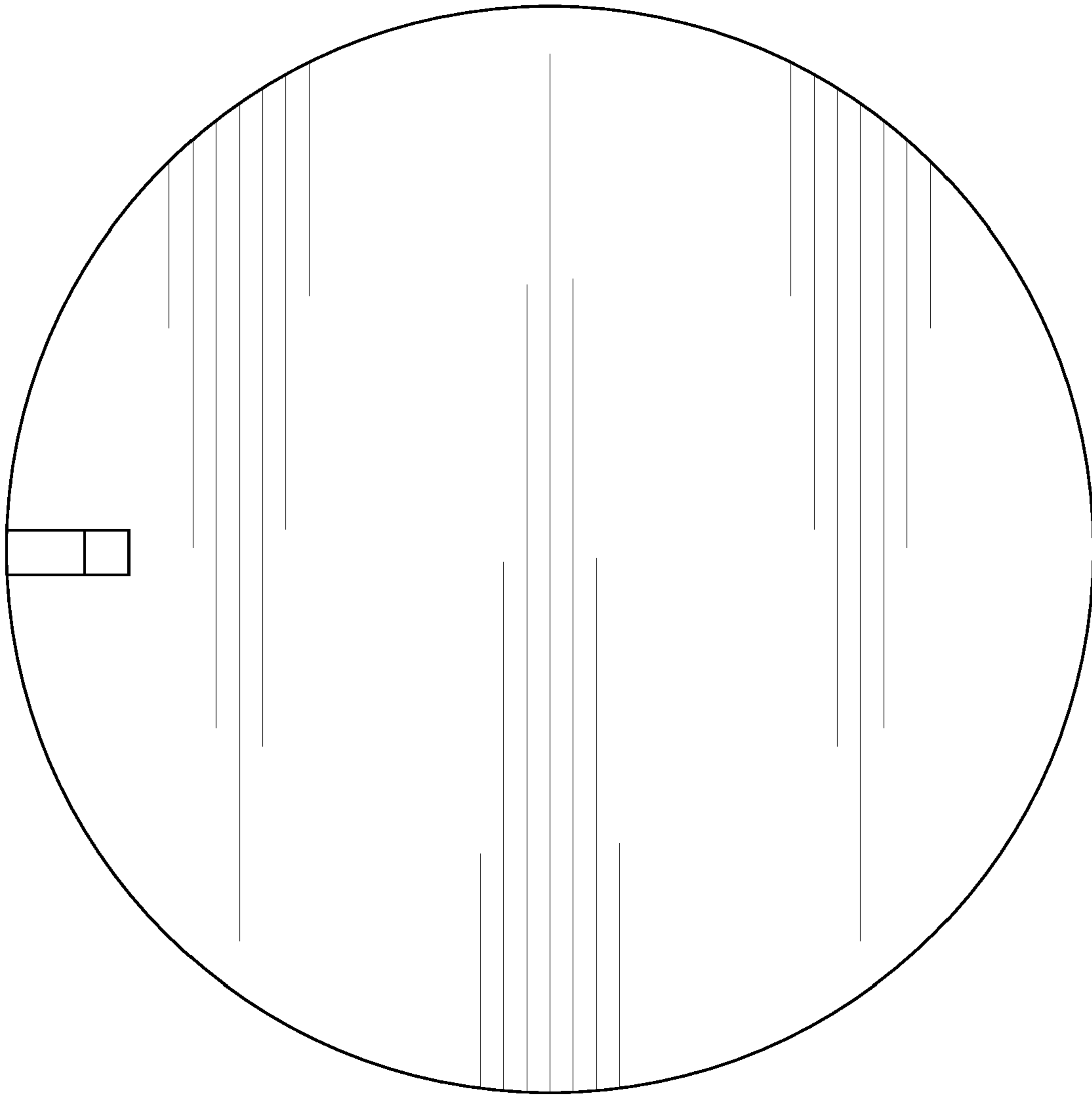


FIG.7

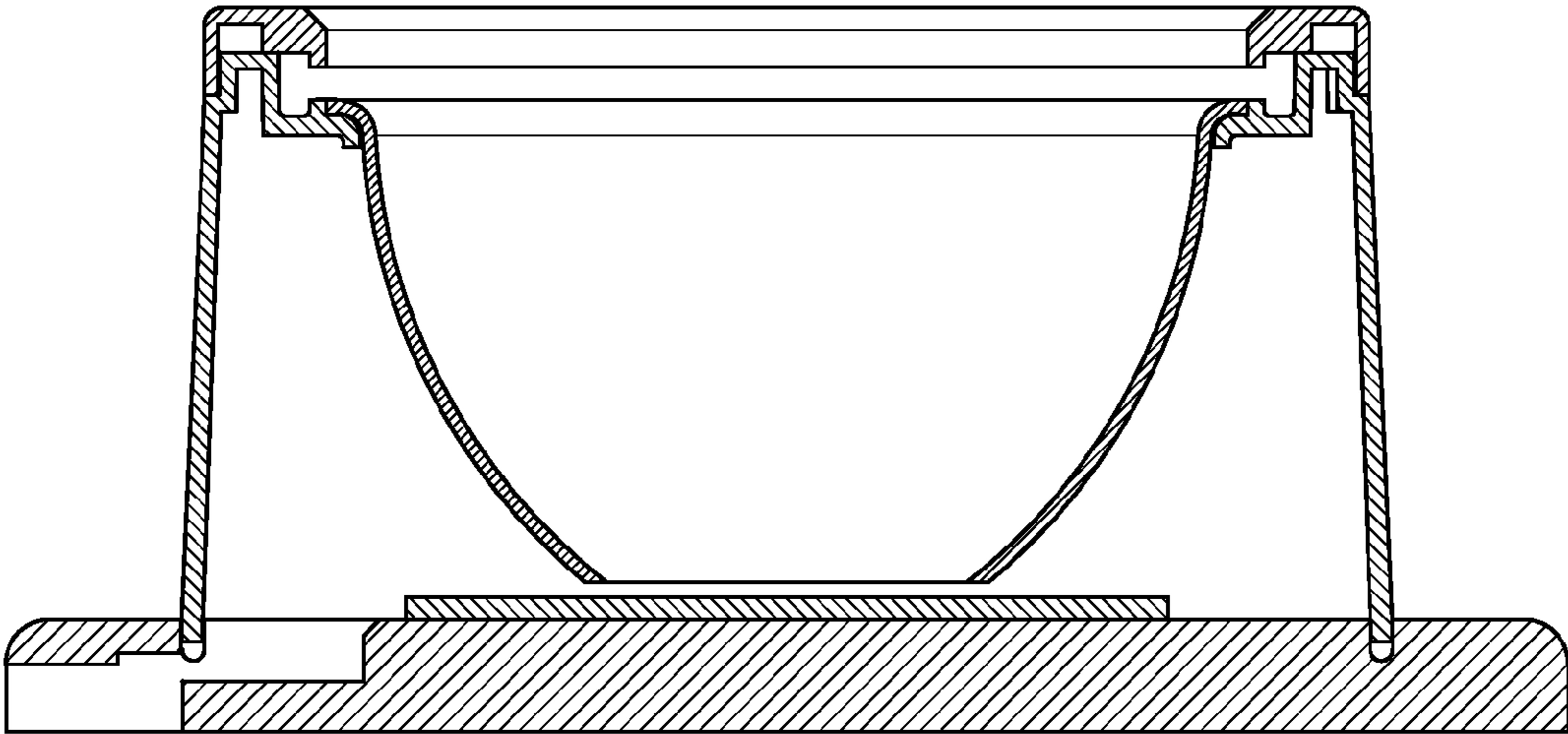


FIG. 8