



US00D604895S

(12) **United States Design Patent**
Park

(10) **Patent No.:** **US D604,895 S**

(45) **Date of Patent:** **** Nov. 24, 2009**

(54) **ROD-TYPE FINGER PRESSURE DEVICE**

D435,295 S * 12/2000 Yoo D24/200
D581,534 S * 11/2008 Dong et al. D24/147

(75) Inventor: **Jae Heung Park**, Namyangju-si (KR)

* cited by examiner

(73) Assignee: **Tri-On Biotech Co., Ltd.**, Buceoon,
Gyeonggi-Do (KR)

Primary Examiner—Ian Simmons

Assistant Examiner—Carissa C Fitts

(**) Term: **14 Years**

(74) *Attorney, Agent, or Firm*—Clark & Elbing LLP

(21) Appl. No.: **29/295,266**

(57) **CLAIM**

(22) Filed: **Sep. 25, 2007**

The ornamental design for a rod-type finger pressure device,
as shown and described.

(30) **Foreign Application Priority Data**

DESCRIPTION

Mar. 26, 2007 (KR) 30-2007-0013052

FIG. 1 is a Front View of a rod-type finger pressure device
showing the new design;

(51) **LOC (9) Cl.** **24-02**

FIG. 2 is a Rear View thereof;

(52) **U.S. Cl.** **D26/142**

FIG. 3 is a Left Side View thereof;

(58) **Field of Classification Search** D24/142,
D24/133, 147, 200, 211; 601/121, 133, 134,
601/137; 600/556; 606/186; 604/46

FIG. 4 is a Right Side View thereof;

See application file for complete search history.

FIG. 5 is a Top View thereof;

FIG. 6 is a Bottom View thereof;

(56) **References Cited**

FIG. 7 is a Perspective View thereof; and,

U.S. PATENT DOCUMENTS

FIG. 8 is a Reference View thereof.

3,136,314 A * 6/1964 Kravitz 604/46
D344,137 S * 2/1994 Yoo D24/200
D351,235 S * 10/1994 Yoo D24/211
D360,945 S * 8/1995 Baldwin D24/133
D361,132 S * 8/1995 Lee D24/200
D422,086 S * 3/2000 Chen D24/211

The gist of the design of rod-type finger pressure device is that
the part contacting with skin is triangle with a hole in the
center and there are projecting parts contacting with skin in
the vertices of triangle.

1 Claim, 8 Drawing Sheets

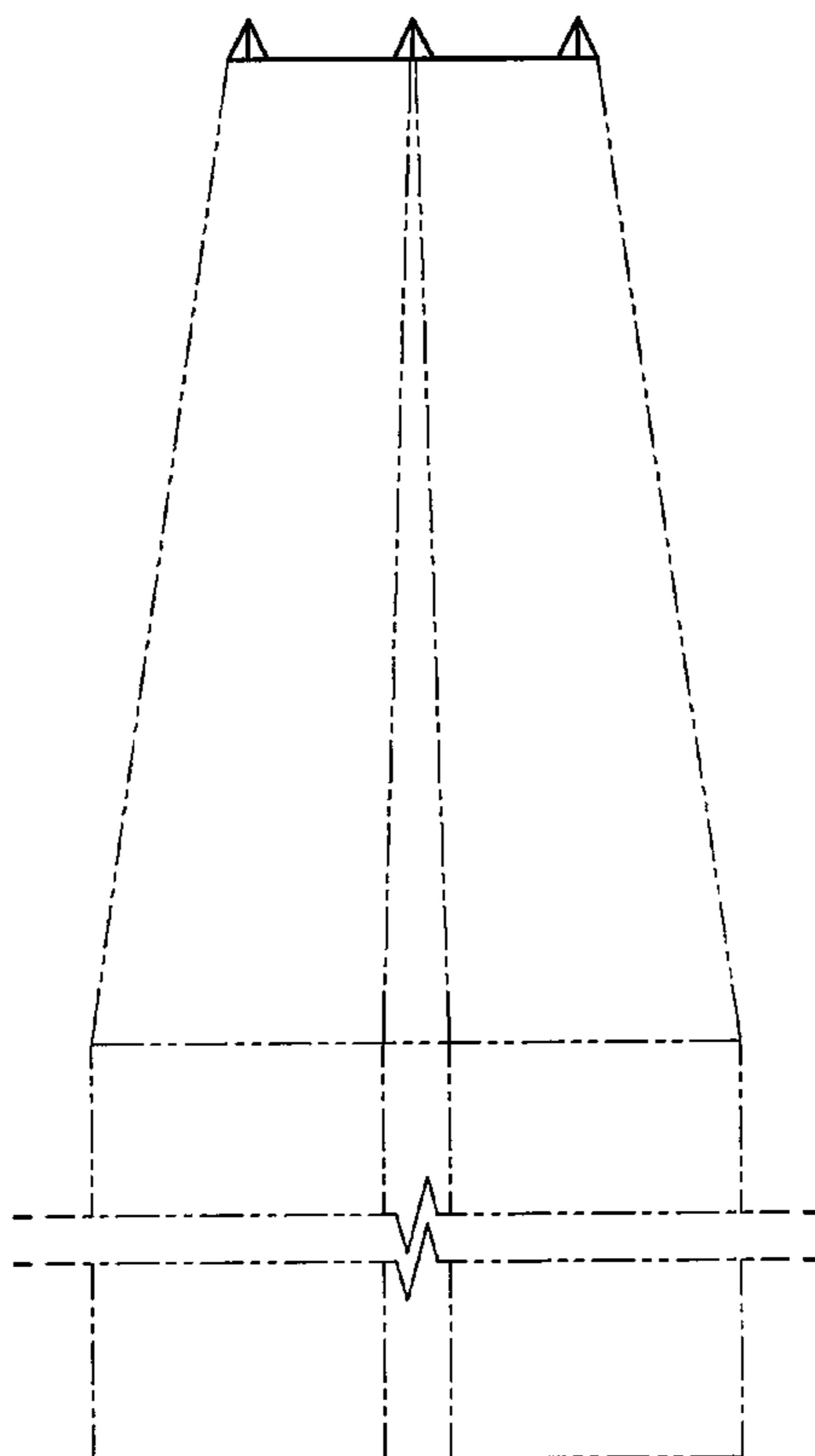


Fig. 1

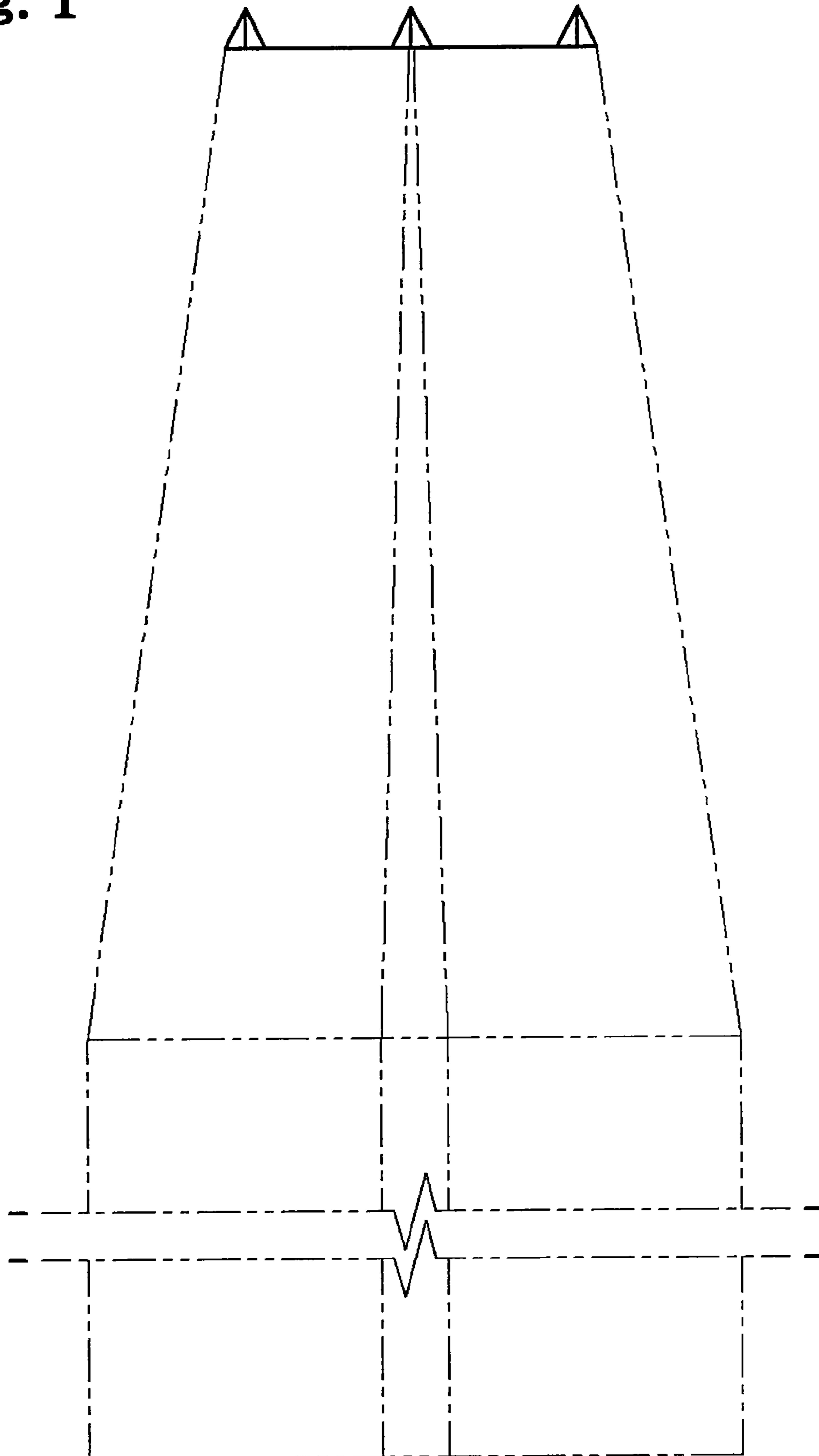


Fig. 2

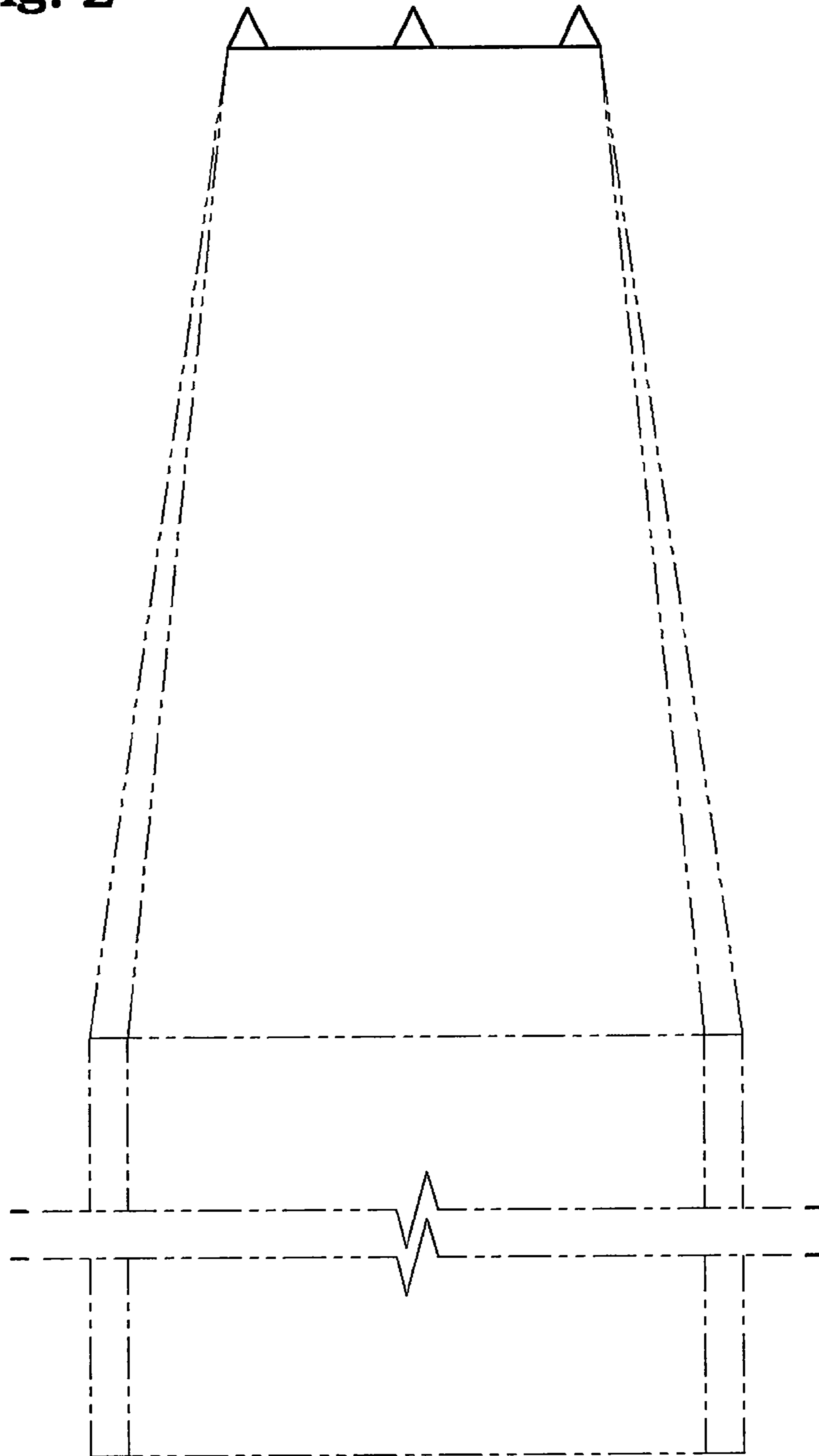


Fig. 3

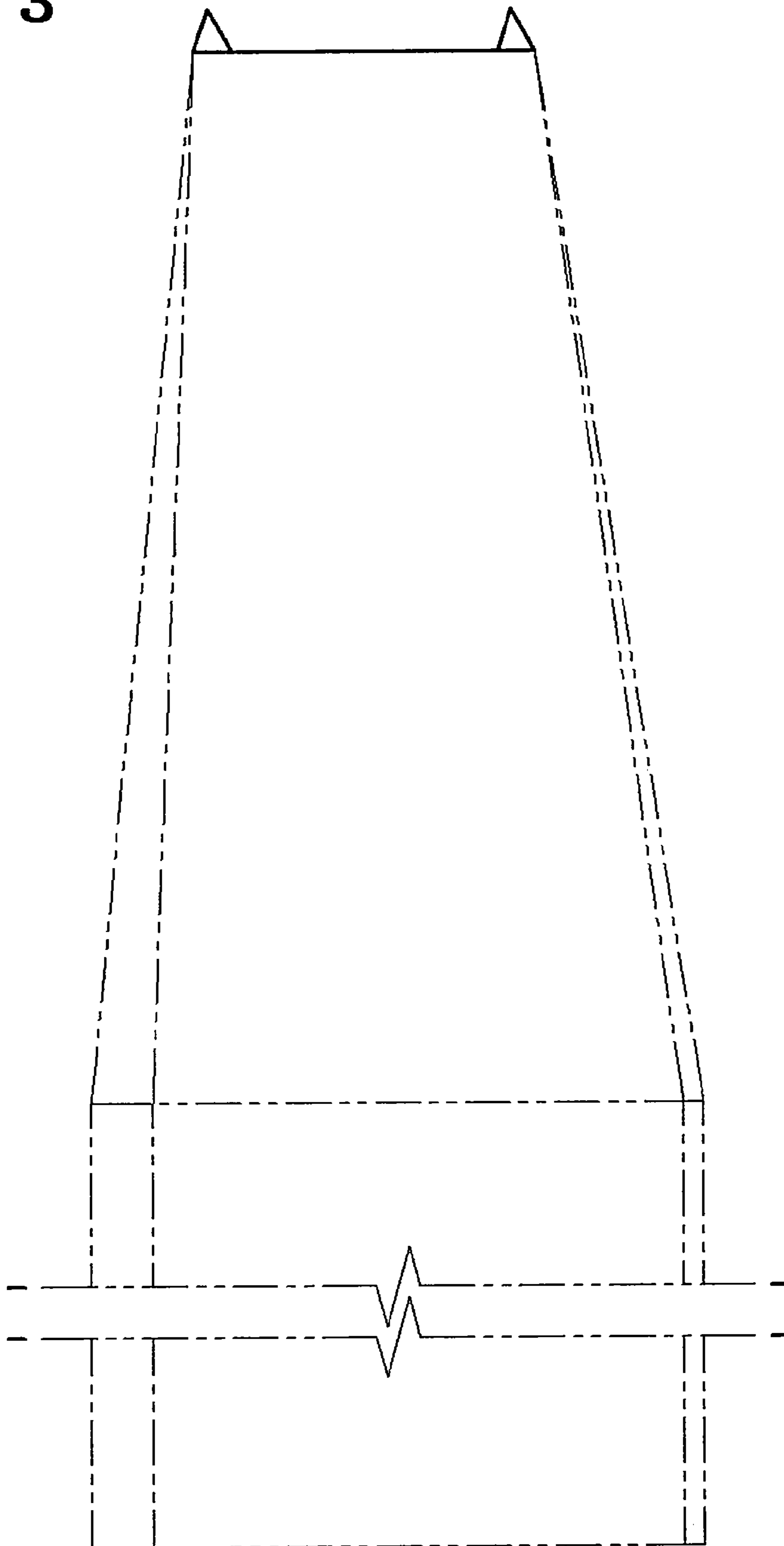


Fig. 4

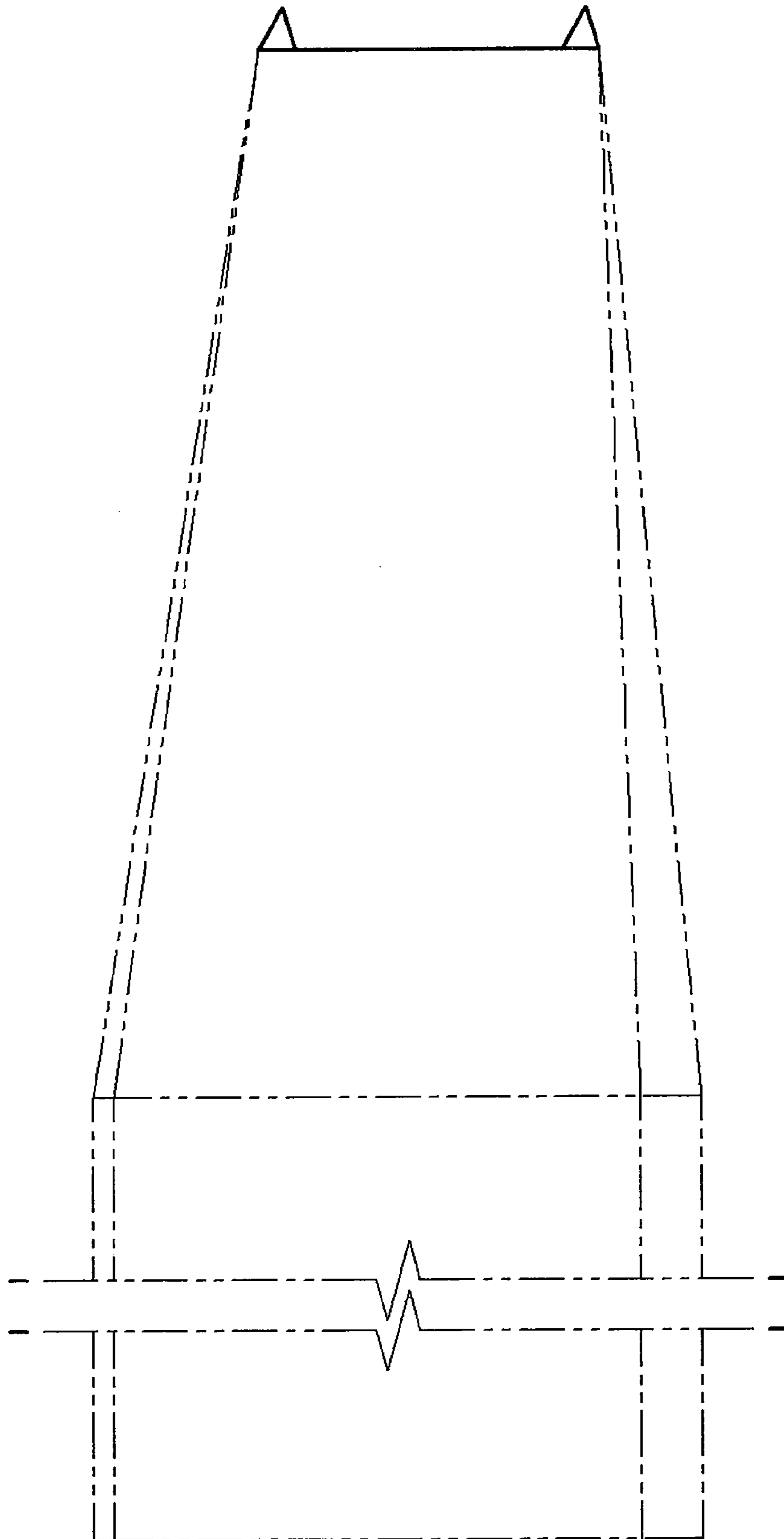


Fig. 5

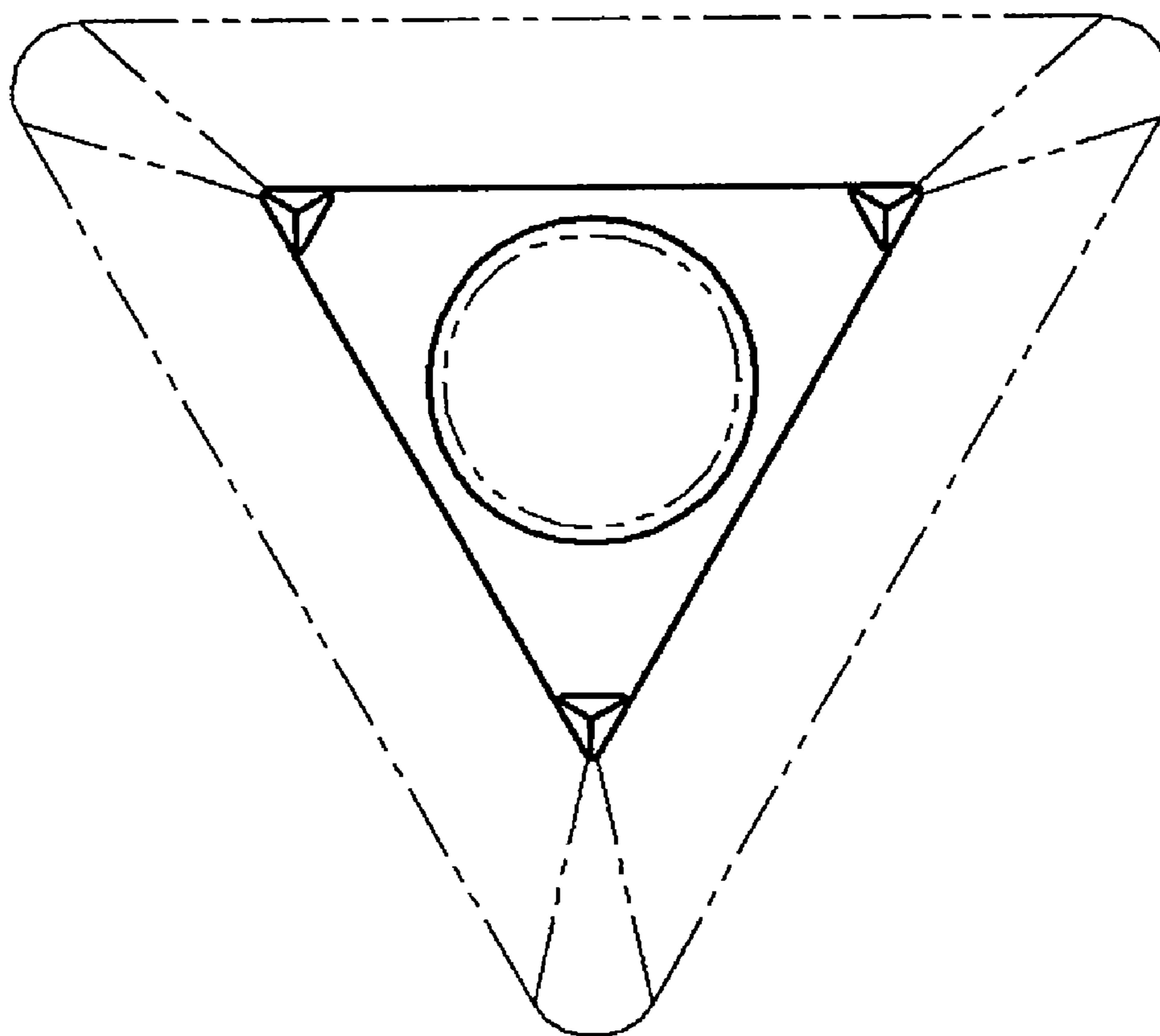


Fig. 6

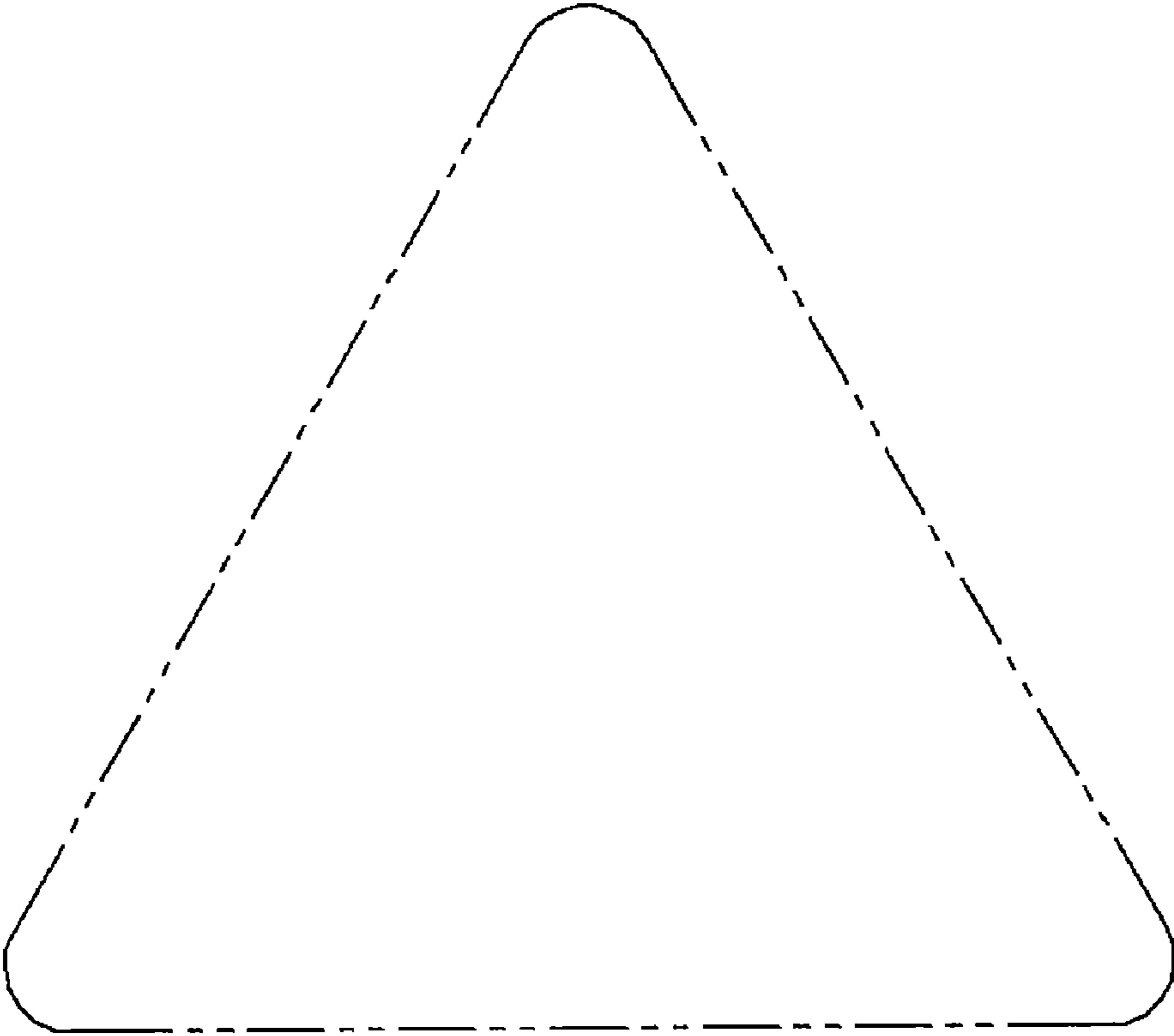


Fig. 7

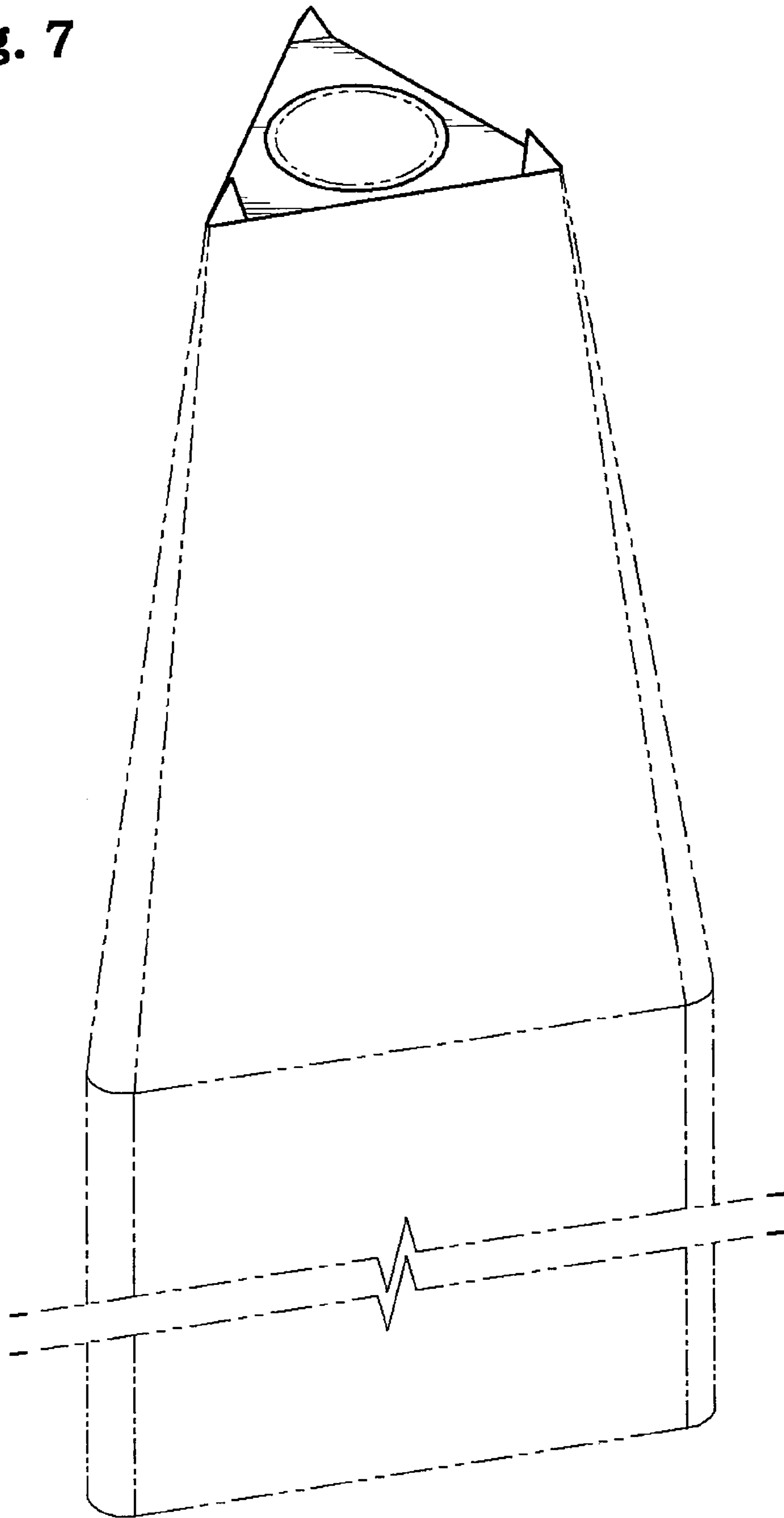


Fig. 8

