



US00D604893S

(12) **United States Design Patent**
Woolley et al.

(10) **Patent No.:** **US D604,893 S**

(45) **Date of Patent:** **** Nov. 24, 2009**

(54) **VEHICLE LAMP HOUSING**

D576,765 S * 9/2008 Song et al. D26/139
D595,895 S * 7/2009 Lamm D26/139

(76) Inventors: **Richard Woolley**, 6 Broadwells Crescent, Westwood Heath Coventry, West Midlands (GB) CV4 8JD; **Earl Lucas**, 19270 Red Maple Ct., Southfield, MI (US) 48076; **Dean Carbis**, 832 E. Lincoln St., Birmingham, MI (US) 48009; **Dong Park**, 1835 Chester Rd., Apt. #7, Royal Oak, MI (US) 48073; **Michael Boyd**, 427 Parkview Dr., Detroit, MI (US) 48214

* cited by examiner

Primary Examiner—Marcus A Jackson

(57) **CLAIM**

An ornamental design for a vehicle lamp housing, shown and described.

DESCRIPTION

FIG. 1 is a left side view of a vehicle lamp housing (the right being a mirror image and is not illustrated);

FIG. 2 is a right side view of the vehicle lamp housing;

FIG. 3 is a top plan view of the vehicle lamp housing;

FIG. 4 is a bottom plan view of the vehicle lamp housing;

FIG. 5 is a front elevational view of the vehicle lamp housing; and,

FIG. 6 is a rear elevational view of the vehicle lamp housing.

The vehicle lamp housing is styled independently of adjacent vehicle panels. Shading is used to illustrate the curvature of the part and not color. Functional features of the vehicle lamp housing are not claimed, nor are the reflections thereon. Views are computer aided orthogonal renderings of the vehicle lamp housing.

(**) Term: **14 Years**

(21) Appl. No.: **29/330,138**

(22) Filed: **Dec. 30, 2008**

(51) **LOC (9) Cl.** **26-99**

(52) **U.S. Cl.** **D26/139**

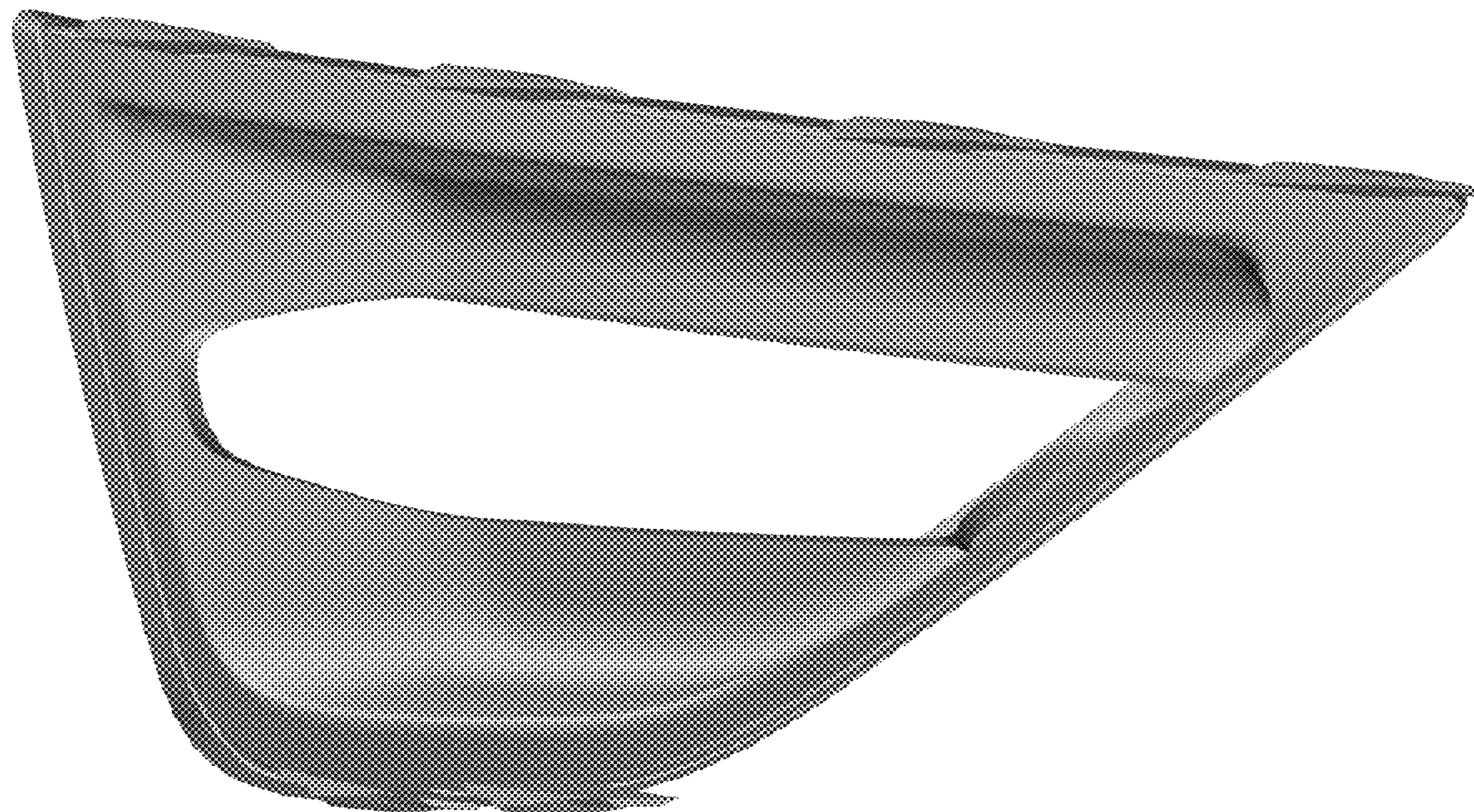
(58) **Field of Classification Search** D26/28–36,
D26/139; 362/61, 80–83, 329–340
See application file for complete search history.

(56) **References Cited**

U.S. PATENT DOCUMENTS

D499,202 S * 11/2004 Tsai D26/139
D513,644 S * 1/2006 Ruzicka et al. D26/139
D564,130 S * 3/2008 Conway et al. D26/139

1 Claim, 6 Drawing Sheets



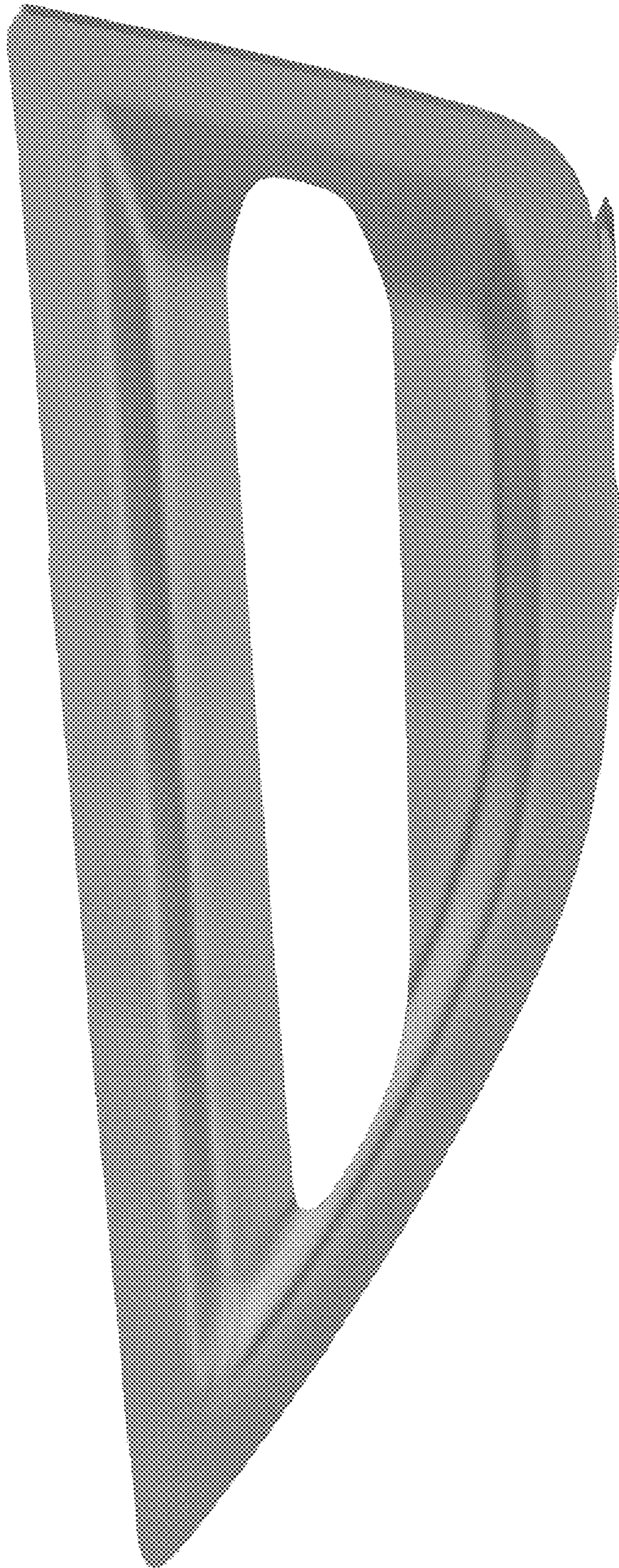


Figure 1

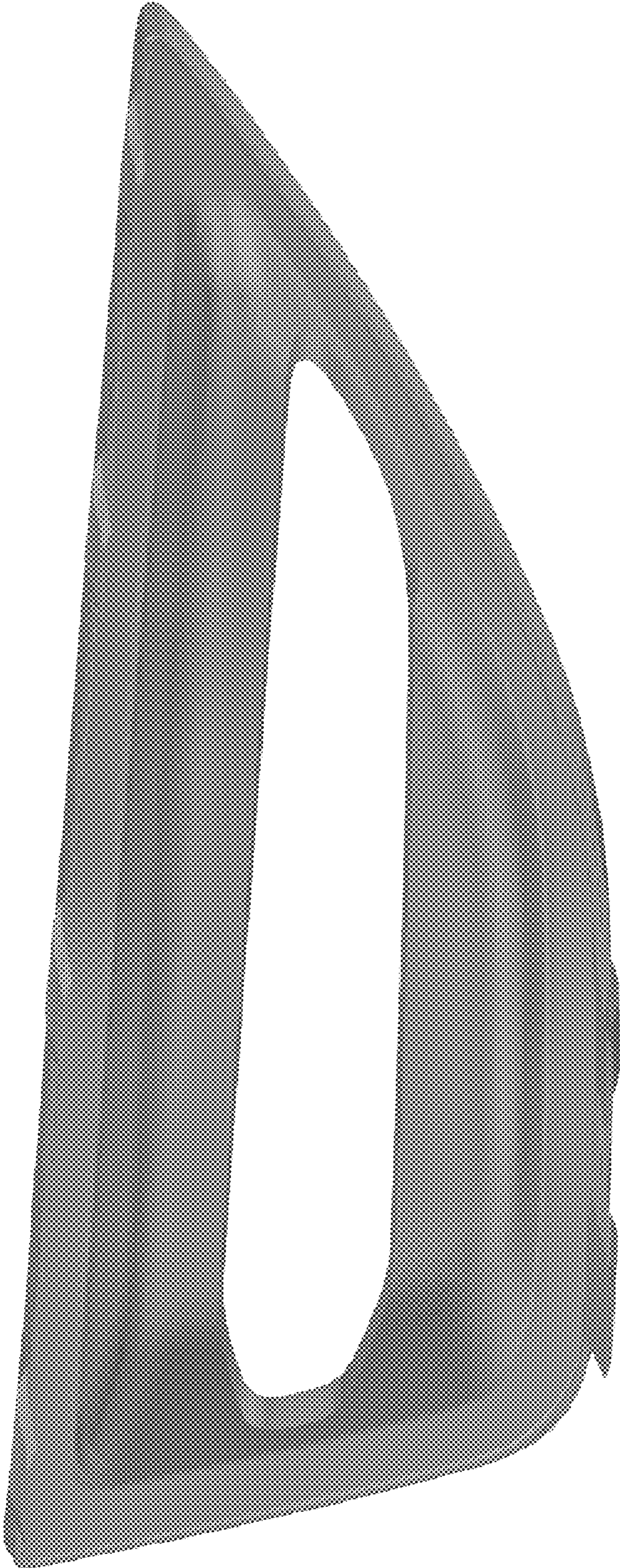


Figure 2

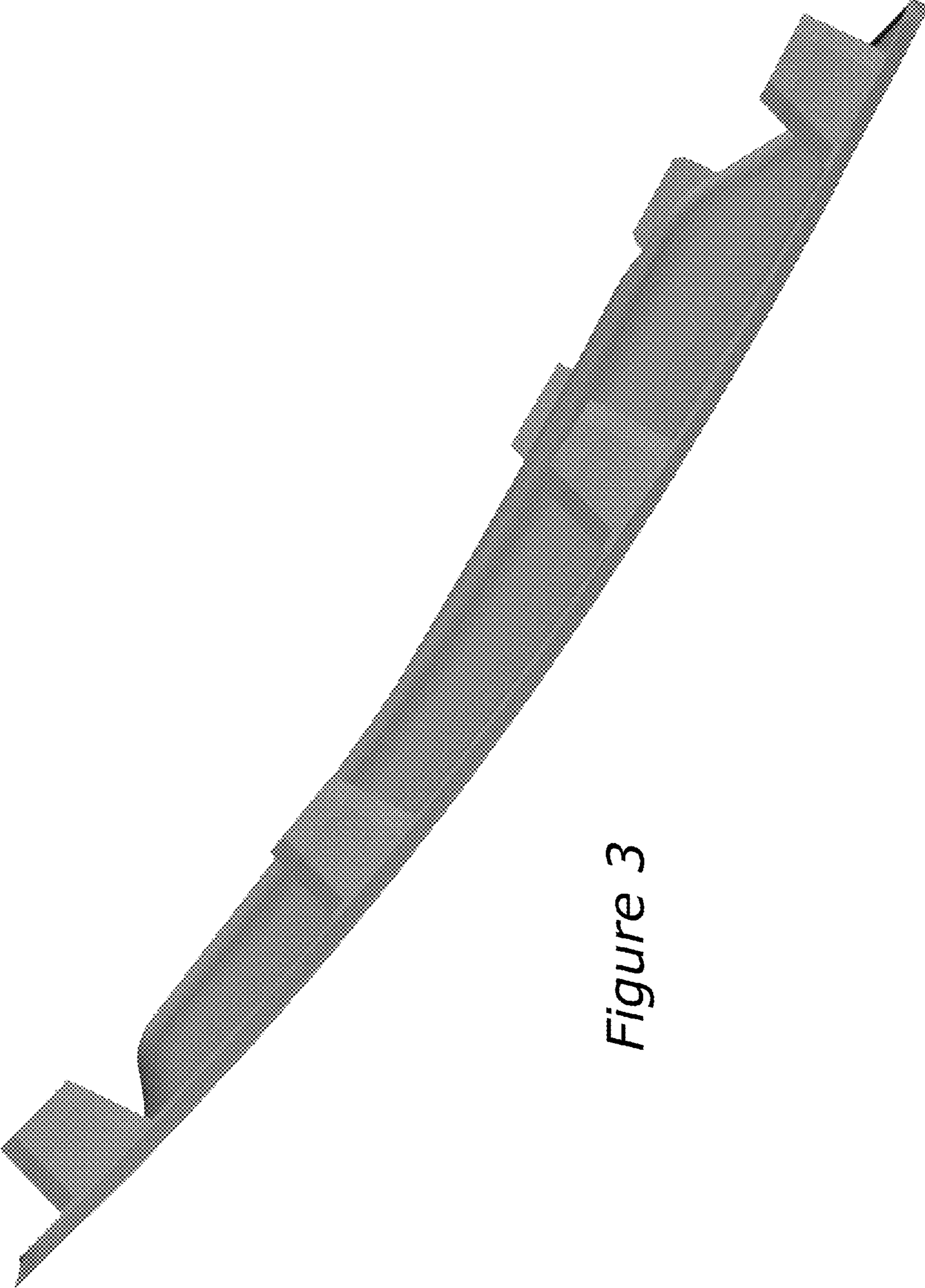


Figure 3

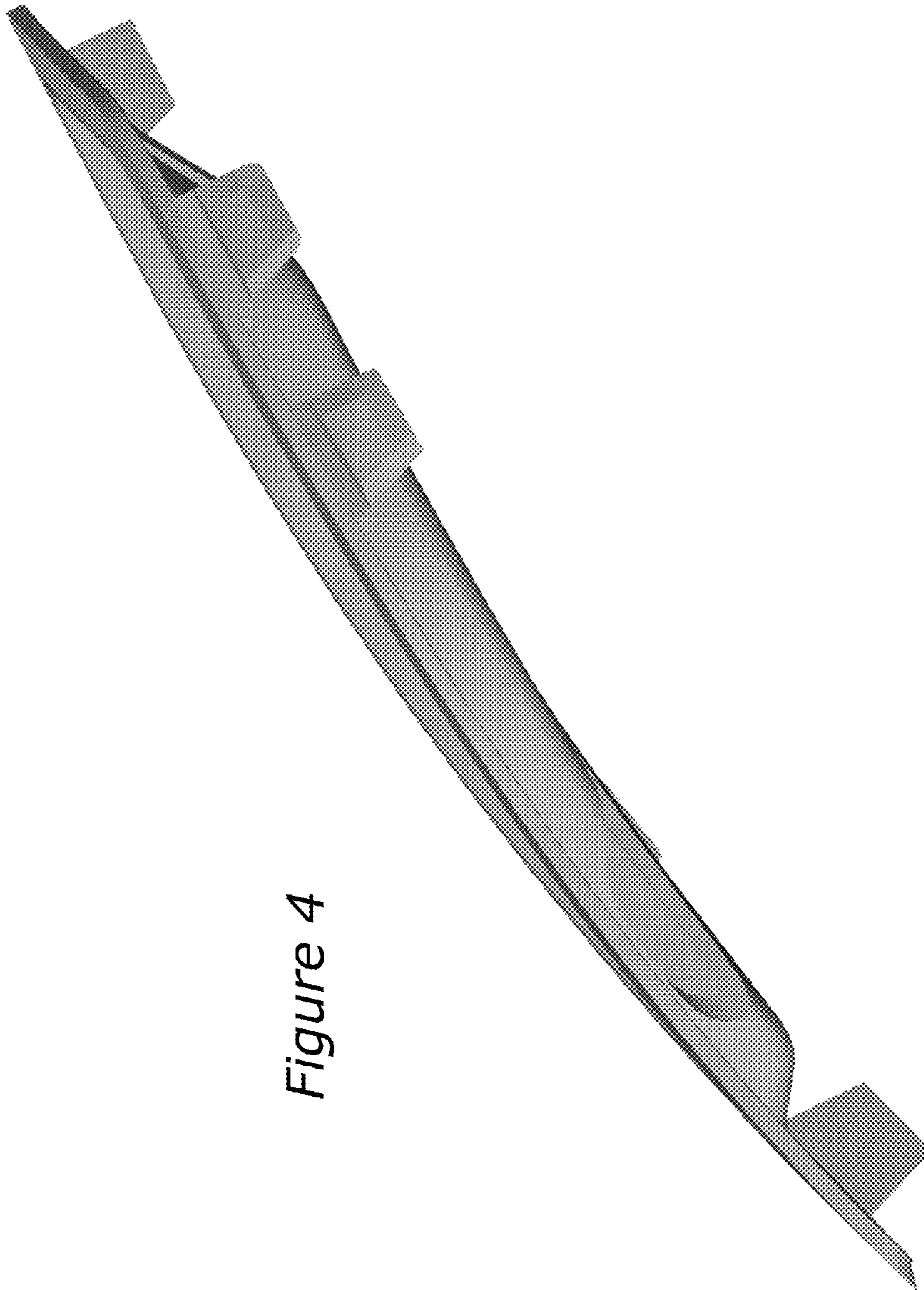


Figure 4

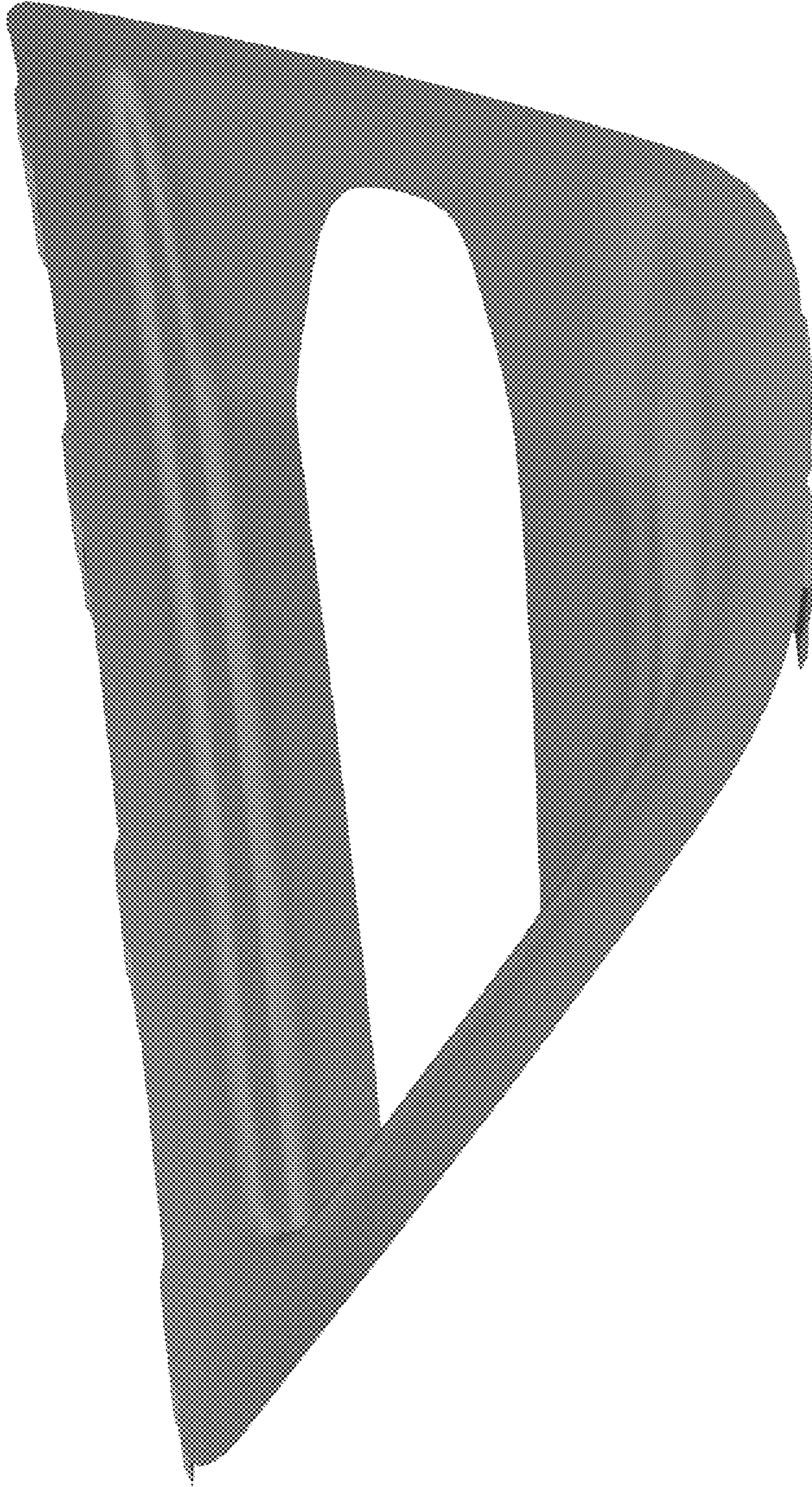


Figure 5



Figure 6