



US00D604891S

(12) **United States Design Patent**
Nathan

(10) **Patent No.:** **US D604,891 S**

(45) **Date of Patent:** **** Nov. 24, 2009**

(54) **LIGHT HATCH**

(76) Inventor: **Scott Nathan**, P.O. Box 5121, Market City, Canning Vale, Western Australia (AU) 6155

(**) Term: **14 Years**

(21) Appl. No.: **29/309,376**

(22) Filed: **Aug. 5, 2008**

(30) **Foreign Application Priority Data**

Feb. 5, 2008 (AU) 10499/2008

(51) **LOC (9) Cl.** **26-99**

(52) **U.S. Cl.** **D26/119**

(58) **Field of Classification Search** D26/110, D26/111, 113, 119, 120, 128, 129, 93, 94, D26/102, 105, 106, 107, 109, 130, 74, 75, D26/76, 77, 80, 81, 88, 90, 71, 68, 142, 145, D26/67, 118, 85, 89, 86, 24, 135, 60, 61, D26/72, 73, 133, 134, 138, 140, 148, 149, D26/150, 151, 152, 154, 155, 141; 362/601, 362/606, 607, 608, 611, 612, 615, 617, 632, 362/633, 555, 561, 95, 147, 351, 358, 376, 362/455, 804, 572, 573; 257/98, 99; D13/179; 40/714, 715, 716; D6/300, 301, 302, 308, D6/310, 313, 314; 433/29, 30, 28, 31, 126; D24/128, 176, 177; 349/58, 65; D20/41, D20/42, 43; D14/374, 126, 380, 375, 382
See application file for complete search history.

(56) **References Cited**

U.S. PATENT DOCUMENTS

3,244,873 A * 4/1966 Leutheuser 362/258

D255,234 S * 6/1980 Wellward et al. D14/209
4,344,114 A * 8/1982 Denhart 362/147
5,072,352 A * 12/1991 Rosenschein 362/400
D343,366 S * 1/1994 Dreher D10/104
D351,563 S * 10/1994 DellaVilla D10/104
D359,371 S * 6/1995 Osteen et al. D26/50
D385,640 S * 10/1997 Leen D26/63
D461,018 S * 7/2002 Leen D26/60
D486,261 S * 2/2004 Tsai D26/63

* cited by examiner

Primary Examiner—Cathron C Brooks

Assistant Examiner—Kevin K Rudzinski

(74) *Attorney, Agent, or Firm*—Birch, Stewart, Kolasch & Birch, LLP

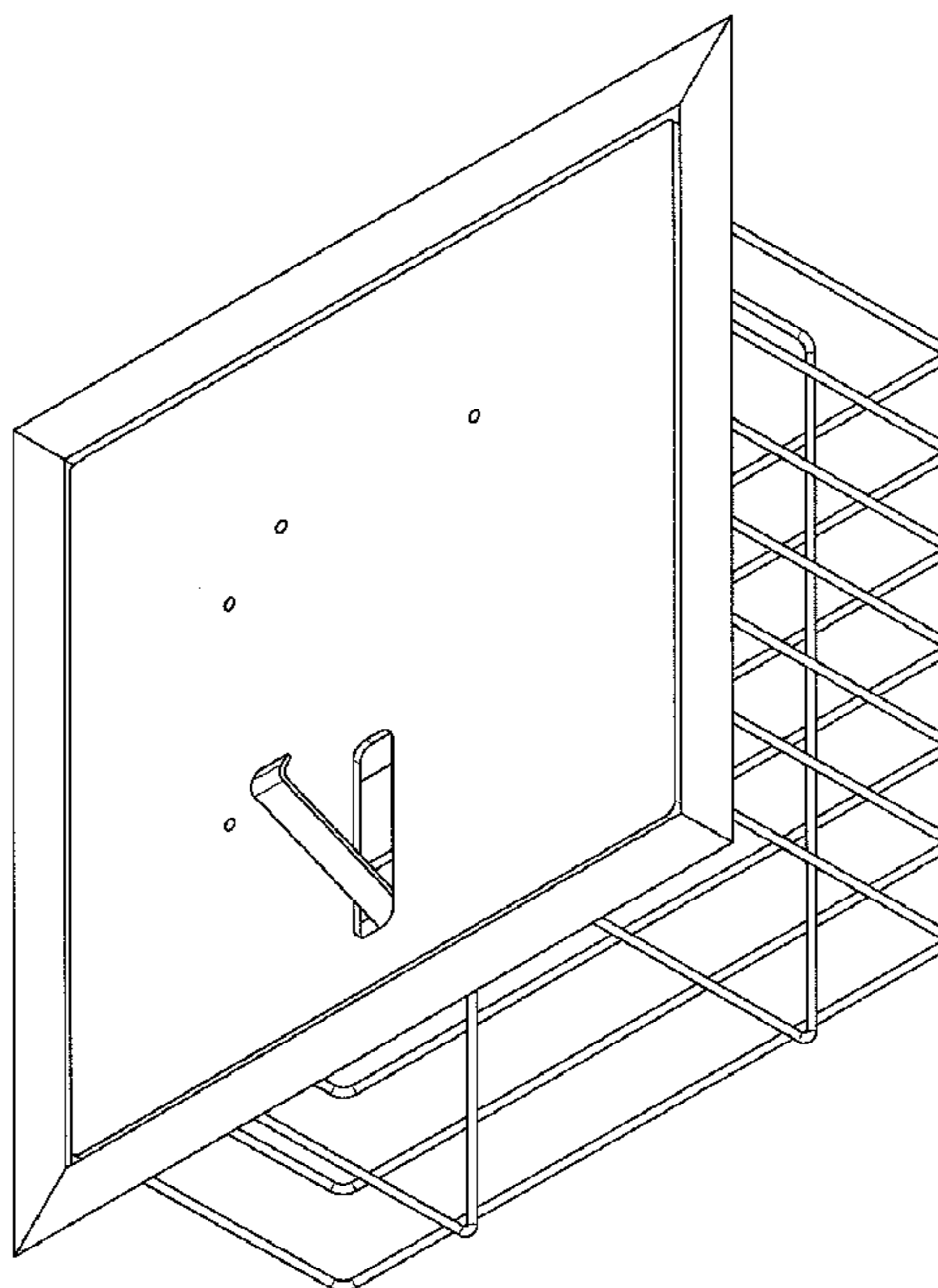
(57) **CLAIM**

The ornamental design for a light hatch, as shown and described.

DESCRIPTION

FIG. 1 is a top view of a light hatch showing my new design; FIG. 2 is a front view thereof; FIG. 3 is a rear view thereof; FIG. 4 is a left side view thereof; FIG. 5 is a right side view thereof; and, FIG. 6 is a top perspective view thereof.

1 Claim, 3 Drawing Sheets



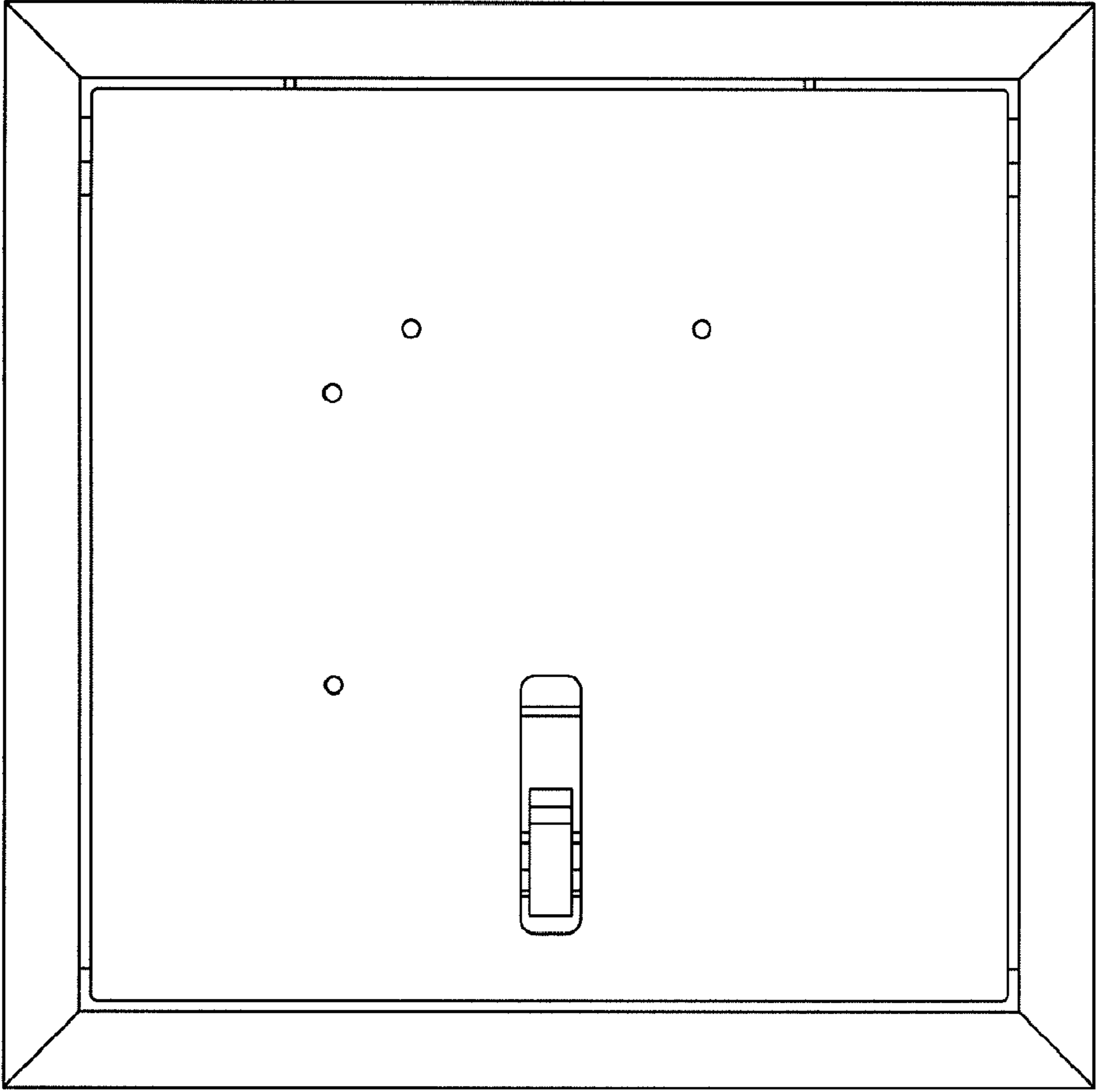


FIG.1

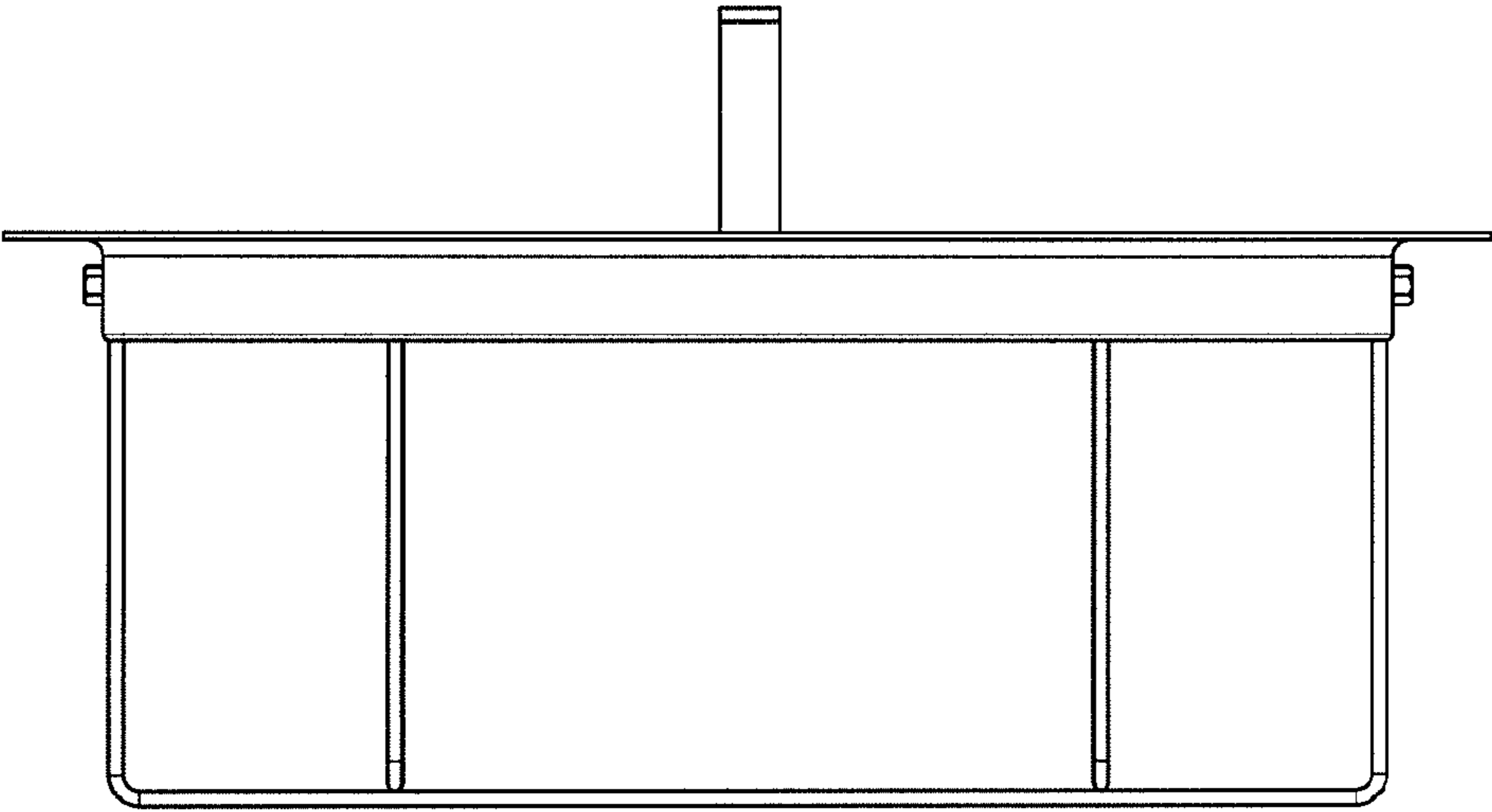


FIG.2

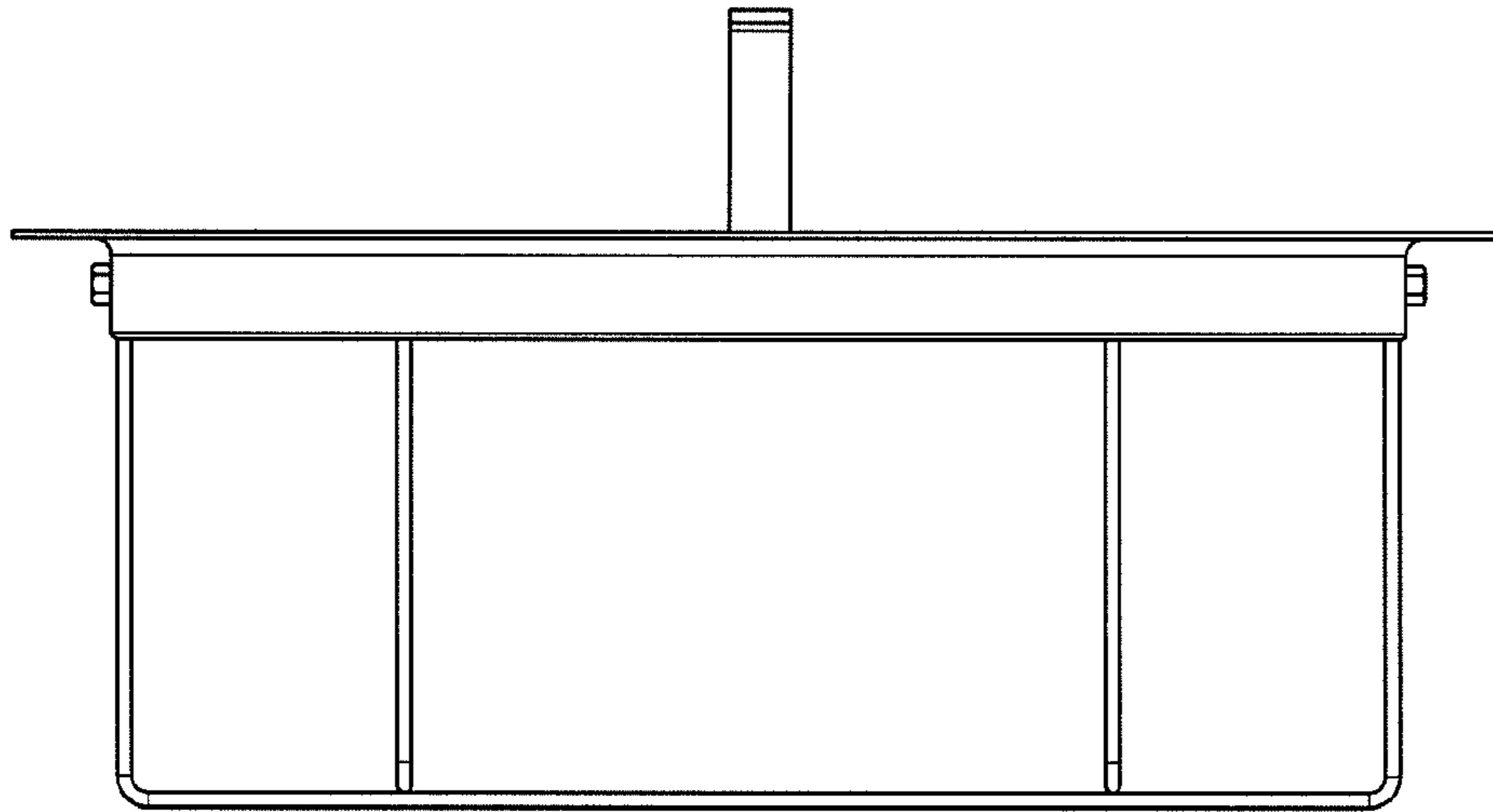


FIG. 3

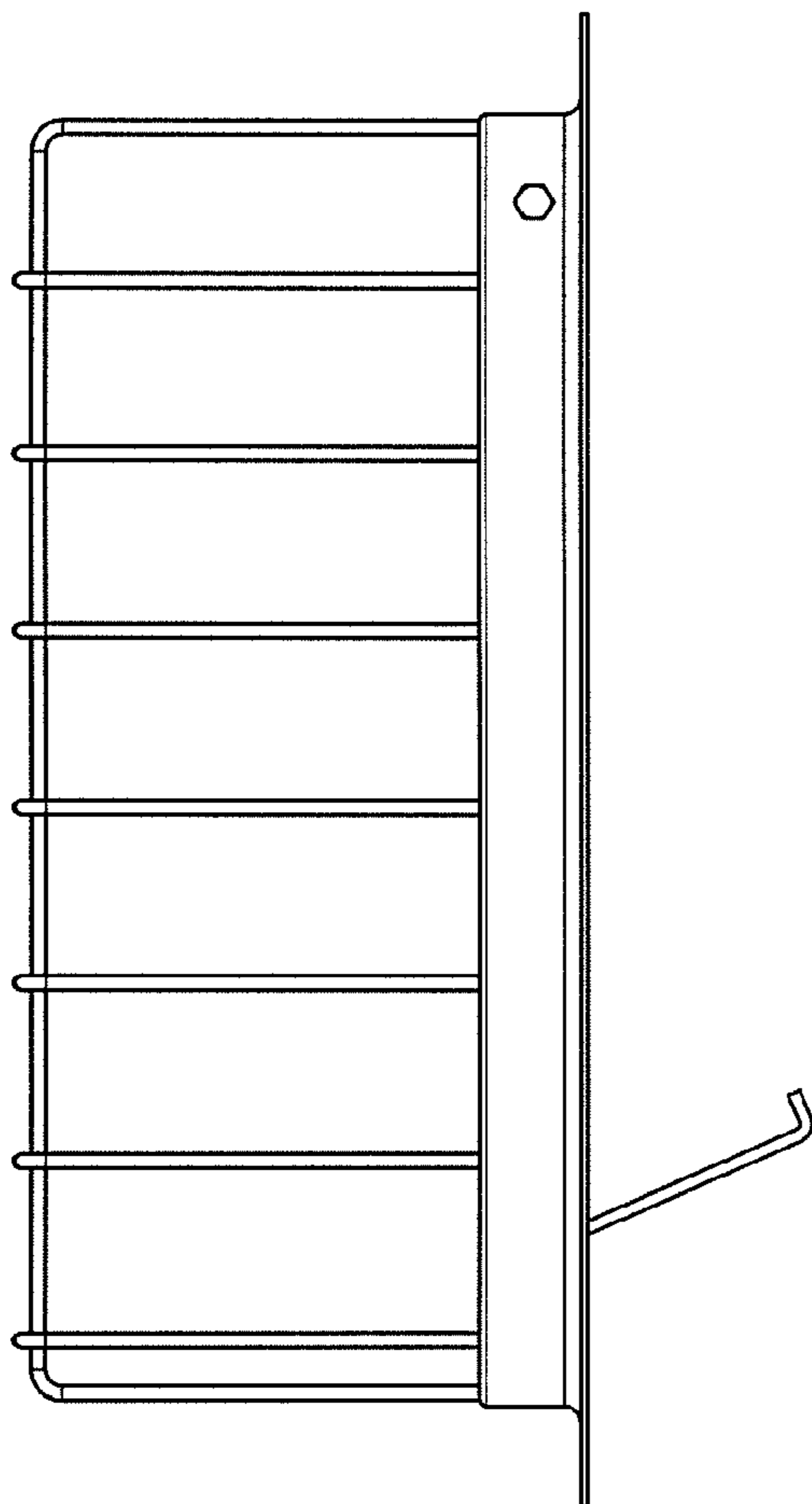


FIG. 4

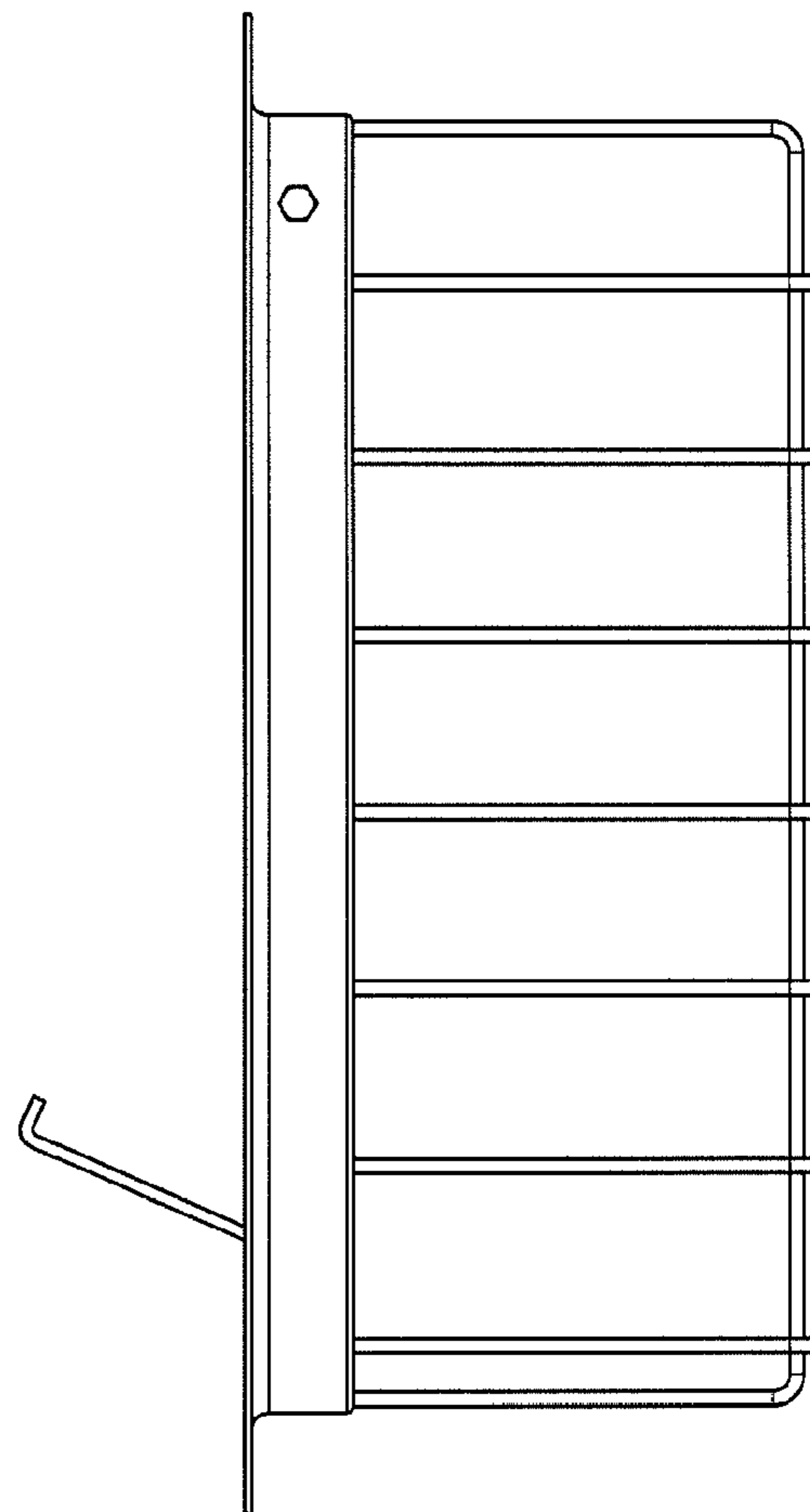


FIG. 5

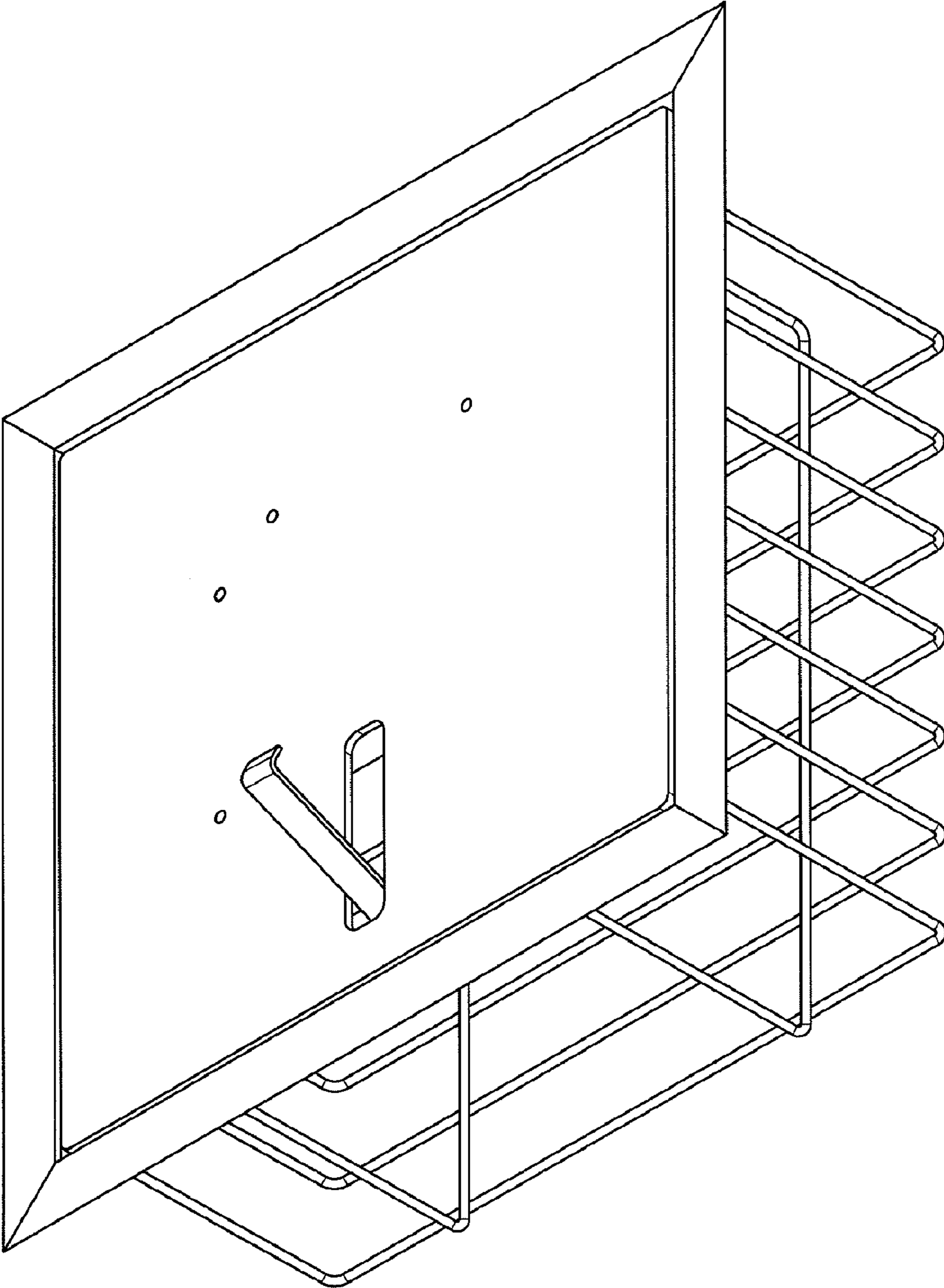


FIG.6