



US00D604889S

(12) **United States Design Patent**  
**Chang**

(10) **Patent No.:** **US D604,889 S**

(45) **Date of Patent:** **\*\* Nov. 24, 2009**

(54) **LIGHT DECORATION**

(76) **Inventor:** **Hsiu-Tsen Chang**, 2F-01, No. 152, Nan Yar Street, Hsinchu City (TW)

(\*\*) **Term:** **14 Years**

(21) **Appl. No.:** **29/309,805**

(22) **Filed:** **Oct. 16, 2008**

(51) **LOC (9) Cl.** ..... **26-99**

(52) **U.S. Cl.** ..... **D26/118**

(58) **Field of Classification Search** ..... D26/110, D26/111, 113, 119, 120, 128, 129, 93, 94, D26/102, 105, 106, 107, 109, 130, 74, 75, D26/76, 77, 80, 81, 88, 90, 71, 68, 142, 145, D26/67, 118, 85, 89, 86, 24, 135, 60, 61, D26/72, 73, 133, 134, 138, 140, 148, 149, D26/150, 151, 152, 154, 155, 141; 362/601, 362/606, 607, 608, 611, 612, 615, 617, 632, 362/633, 555, 561, 95, 147, 351, 358, 376, 362/455, 804; 257/98, 99; D13/179; 40/714, 40/715, 716; D6/300, 301, 302, 308, 310, D6/313, 314; 433/29, 30, 28, 31, 126; D24/128, D24/176, 177; 349/58, 65; D20/41, 42, D20/43; D14/374, 126, 380, 375, 382  
See application file for complete search history.

(56) **References Cited**

**U.S. PATENT DOCUMENTS**

3,023,264 A \* 2/1962 Allison ..... 174/395  
3,182,114 A \* 5/1965 Burgess et al. .... 174/16.3

3,833,804 A \* 9/1974 Vesely ..... 362/291  
D236,999 S \* 9/1975 Tongson ..... D26/134  
D280,242 S \* 8/1985 Burket et al. .... D26/134  
D297,671 S \* 9/1988 Groh ..... D26/63  
4,841,422 A \* 6/1989 Groh ..... 362/294  
5,132,875 A \* 7/1992 Plesinger ..... 361/704  
5,784,255 A \* 7/1998 Wyland ..... 361/692  
6,330,908 B1 \* 12/2001 Lee et al. .... 165/185  
6,343,012 B1 \* 1/2002 Rife ..... 361/695  
D473,002 S \* 4/2003 Hoernig ..... D26/87  
6,543,522 B1 \* 4/2003 Hegde ..... 165/80.3  
D482,477 S \* 11/2003 Wang ..... D26/67  
6,880,956 B2 \* 4/2005 Zhang ..... 362/264  
D530,683 S \* 10/2006 Rivas et al. .... D13/179

\* cited by examiner

*Primary Examiner*—Cathron C Brooks  
*Assistant Examiner*—Kevin K Rudzinski  
(74) *Attorney, Agent, or Firm*—Rosenberg, Klein & Lee

(57) **CLAIM**

The ornamental design for a light decoration, as shown and described.

**DESCRIPTION**

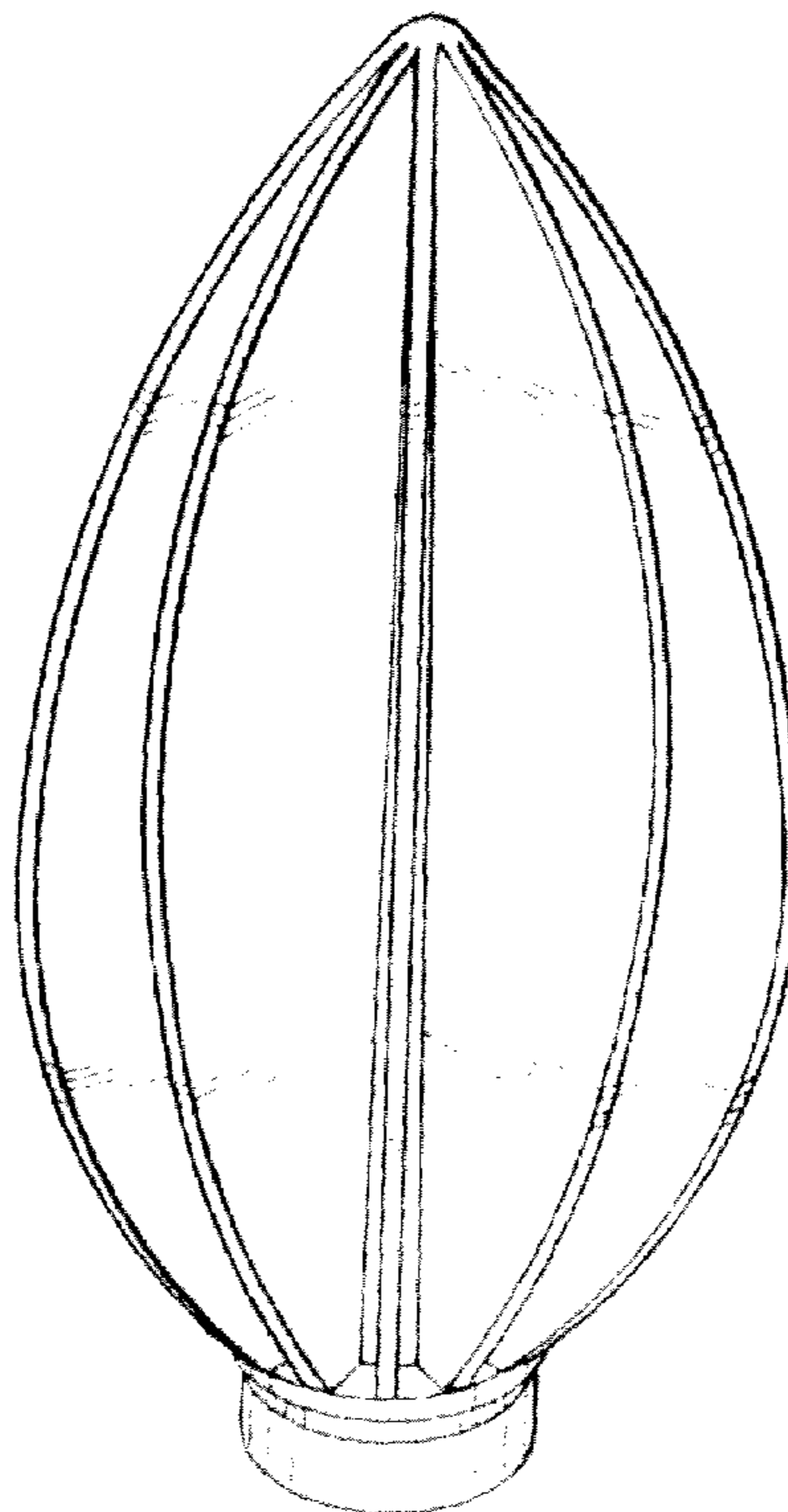
FIG. 1 is a perspective view of a light decoration showing my new design.

FIG. 2 is a side elevation view thereof.

FIG. 3 is a top plan view thereof; and,

FIG. 4 is a bottom plan view thereof.

**1 Claim, 3 Drawing Sheets**



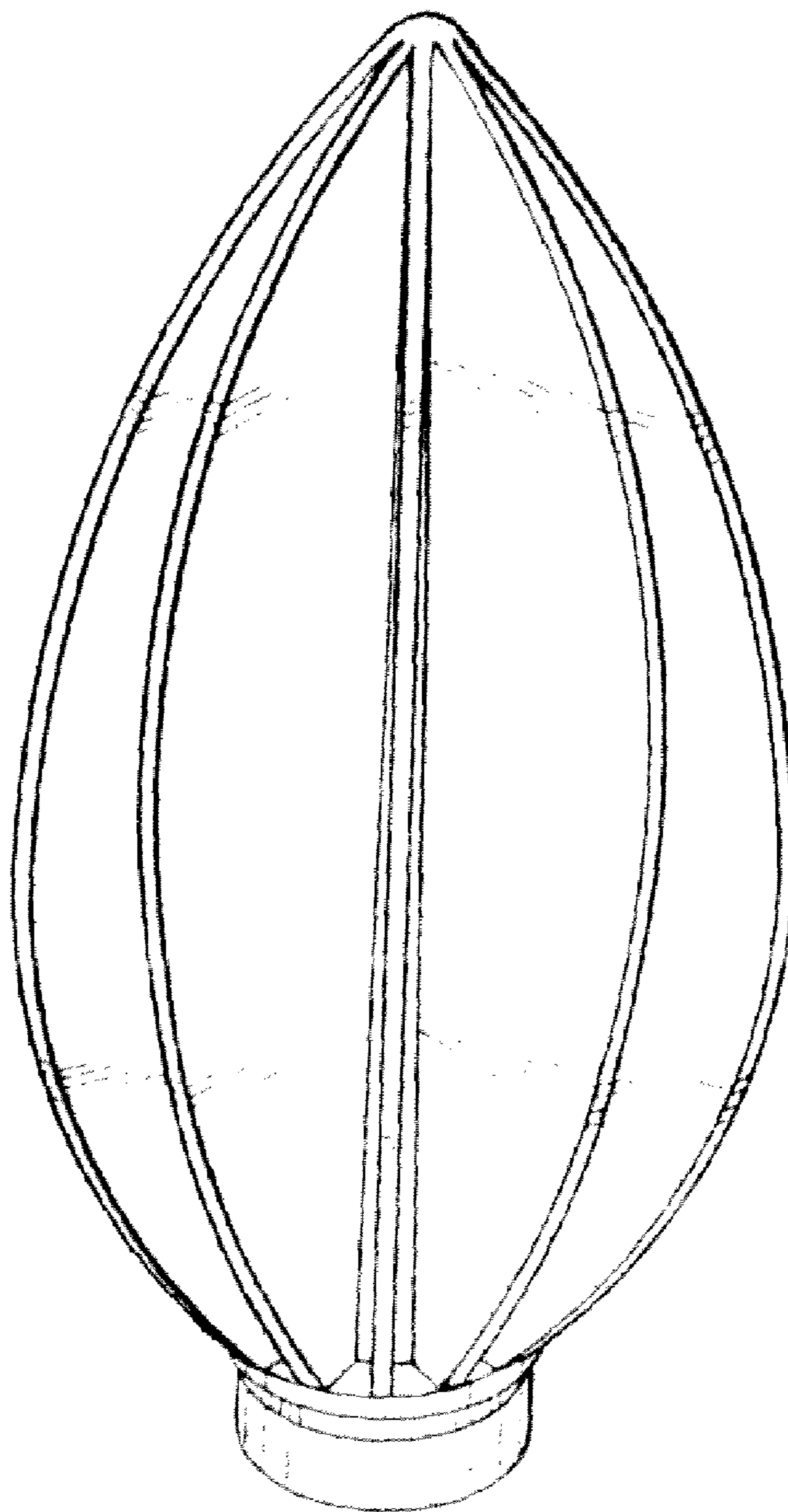


FIG. 1

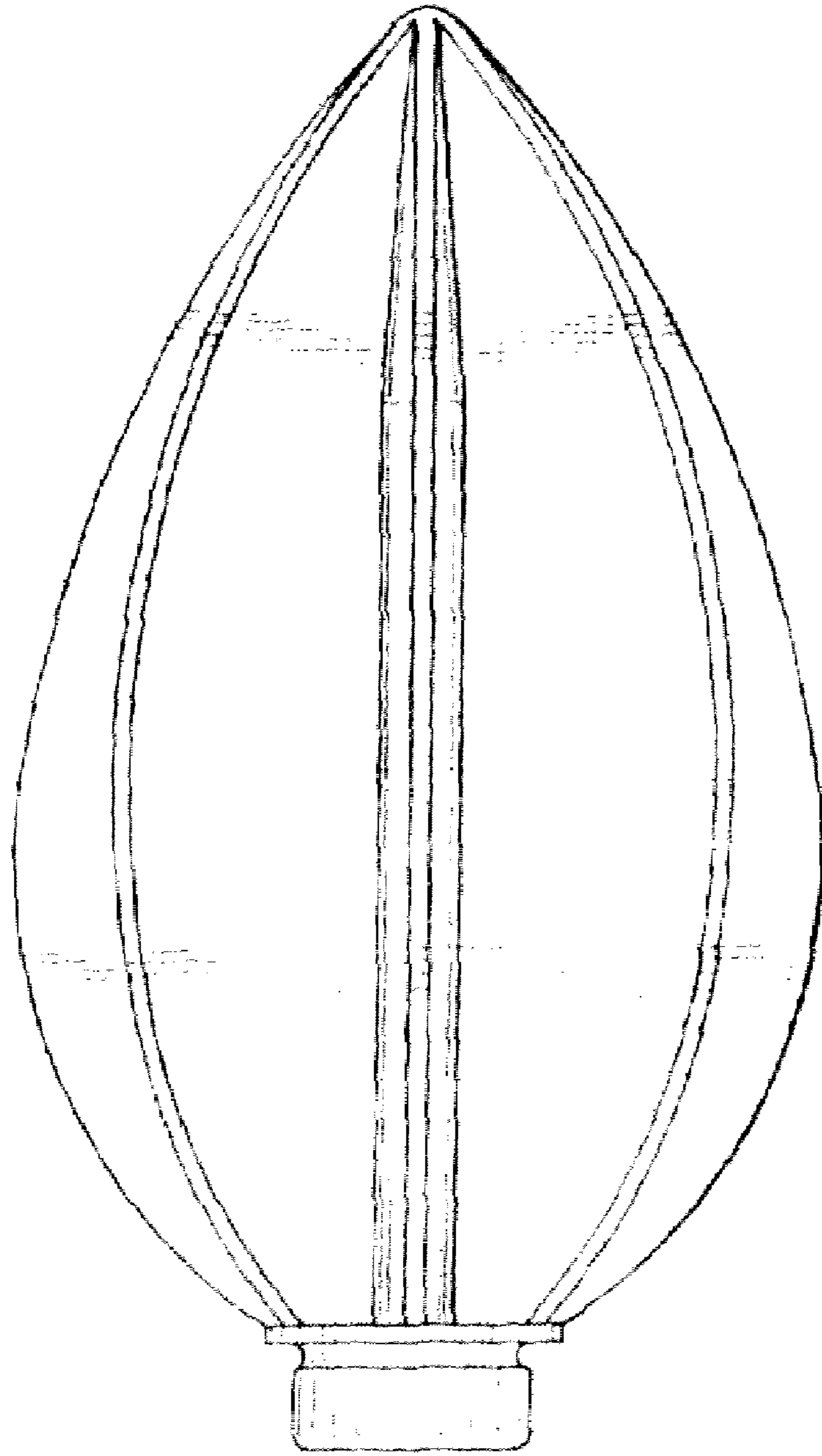


FIG. 2

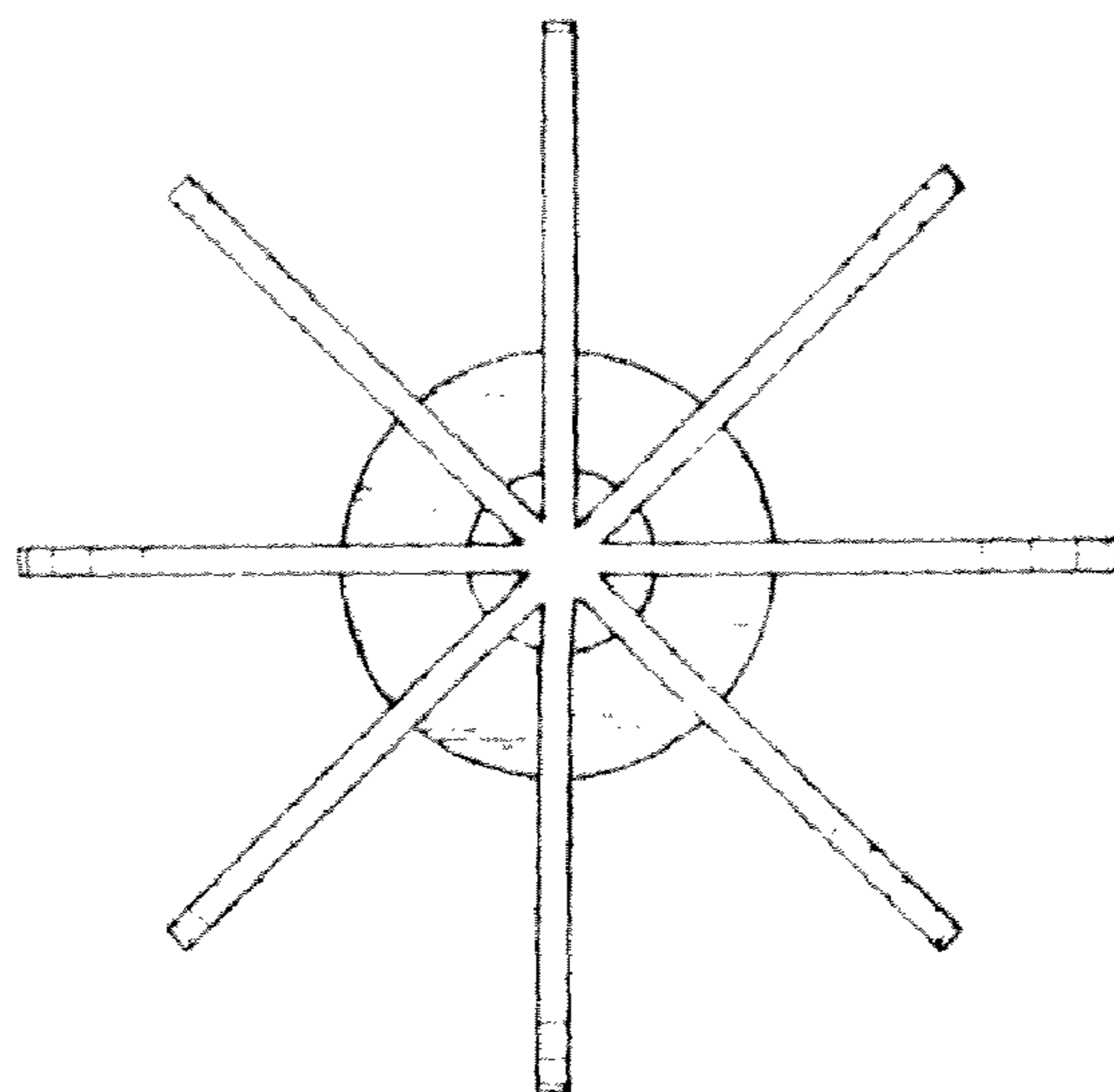


FIG. 3

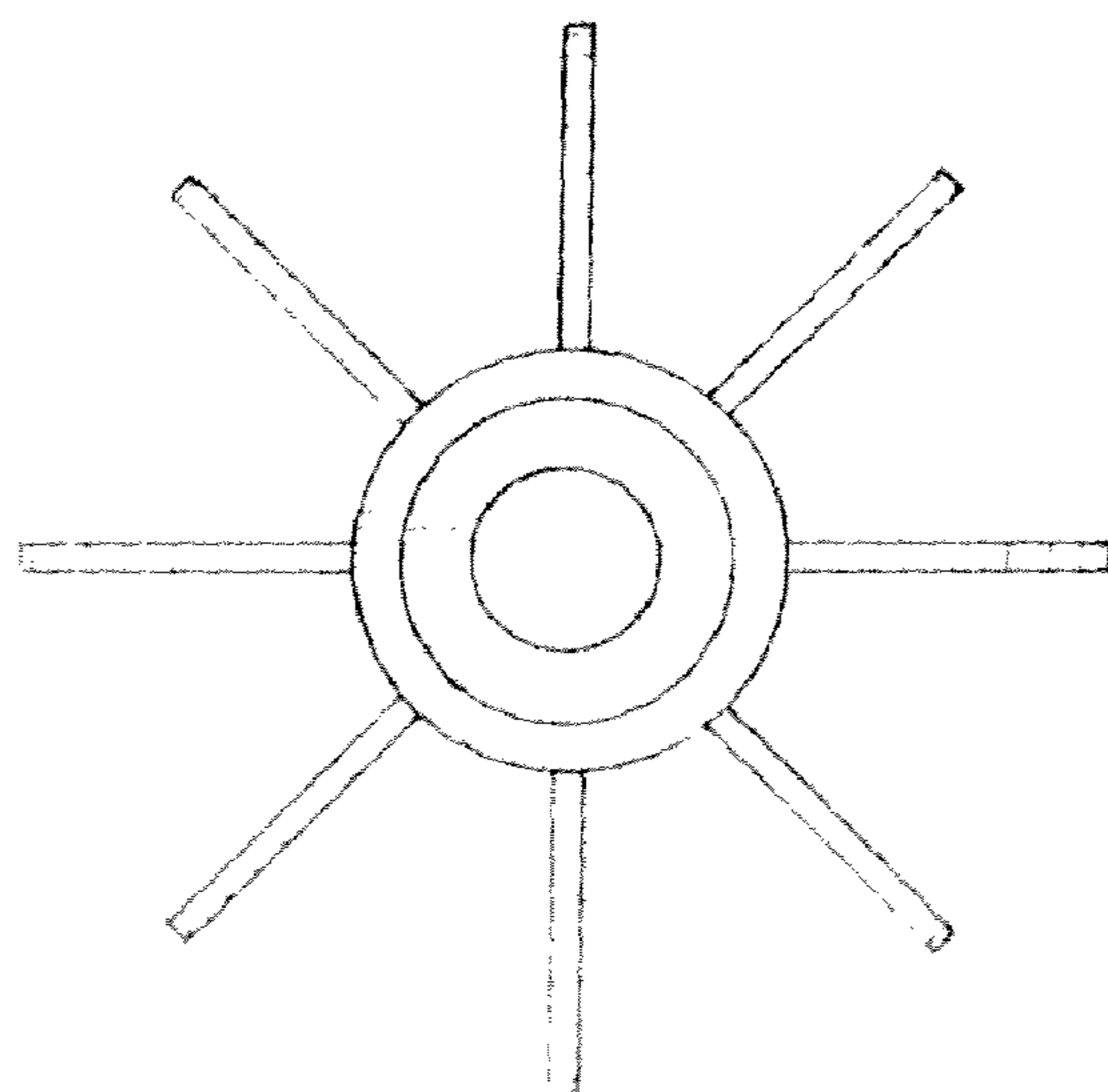


FIG. 4