



US00D604887S

(12) **United States Design Patent**
Sanoner

(10) **Patent No.:** **US D604,887 S**

(45) **Date of Patent:** **** Nov. 24, 2009**

(54) **SOLAR LIGHT**

(75) Inventor: **Hughes Marie Sanoner**, Discovery Bay (HK)

(73) Assignee: **Solar Wide Industrial Limited**, Tsuen Wan, New Territories, Hong Kong (CN)

(**) Term: **14 Years**

(21) Appl. No.: **29/312,504**

(22) Filed: **Oct. 24, 2008**

(30) **Foreign Application Priority Data**

Jun. 23, 2008 (EM) 000956644-0001

(51) **LOC (9) Cl.** **23-03**

(52) **U.S. Cl.** **D26/105; D26/93**

(58) **Field of Classification Search** D26/1,
D26/24, 67, 93-94, 10, 104-110, 113, 118;
362/3, 153, 186, 217, 255, 257, 277, 317,
362/351, 353, 362, 363, 382, 431, 433, 458,
362/806

See application file for complete search history.

(56) **References Cited**

U.S. PATENT DOCUMENTS

D238,960 S * 2/1976 Leung D26/104
D246,202 S * 10/1977 Oppermann D26/104

D271,241 S * 11/1983 Vrignaud D26/104
D322,489 S * 12/1991 Parker D26/104
D392,764 S * 3/1998 Balish, Jr. D26/105
D468,044 S * 12/2002 Lam D26/104
D529,220 S * 9/2006 Izardel D26/94
D577,458 S * 9/2008 Chan et al. D26/104

* cited by examiner

Primary Examiner—Brian N Vinson

(74) *Attorney, Agent, or Firm*—Alix, Yale & Ristas, LLP

(57) **CLAIM**

The ornamental design for a solar light, as shown and described.

DESCRIPTION

FIG. 1 is a top, front, and right side perspective view of a solar light showing my new design;

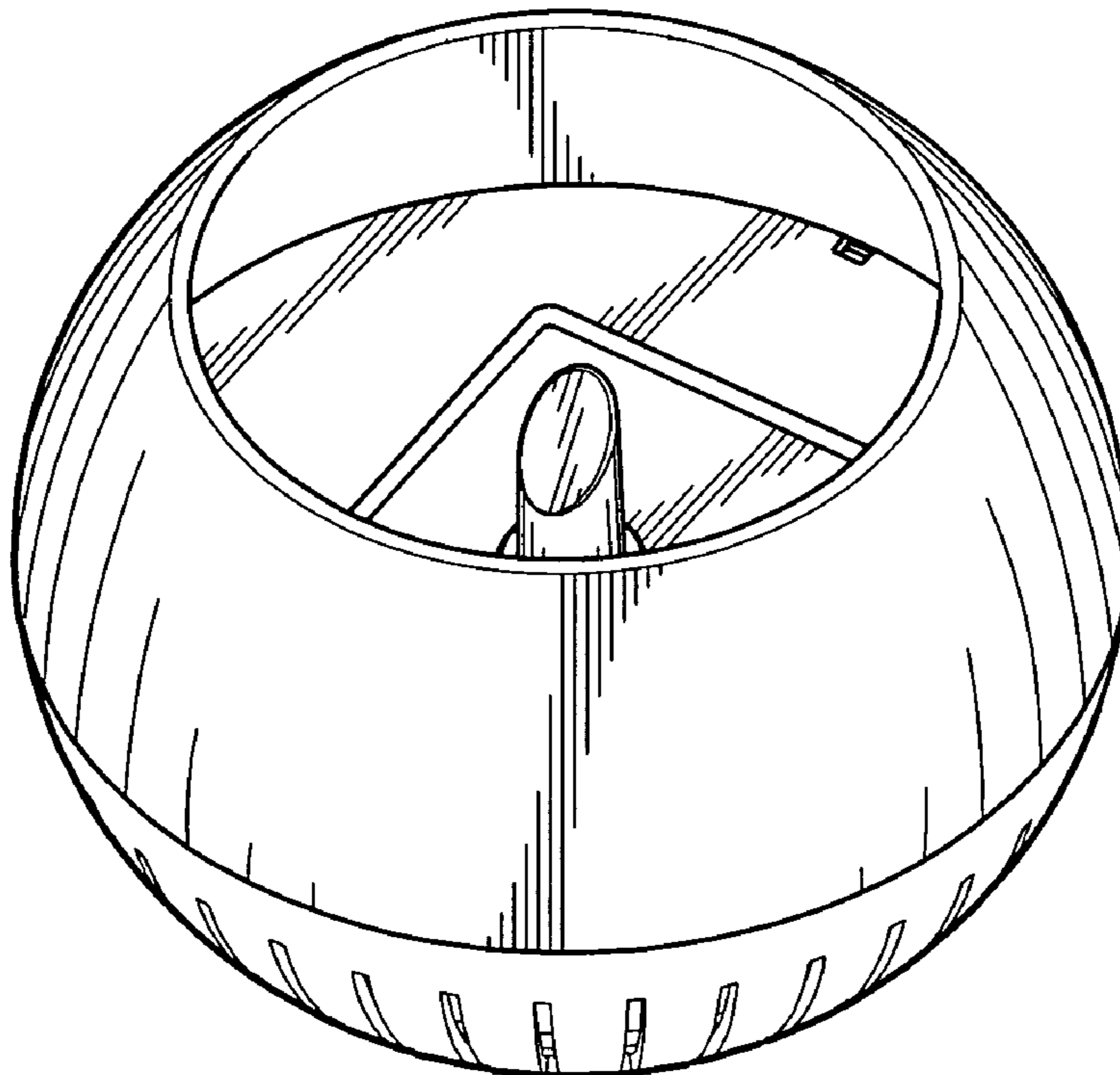
FIG. 2 is a front elevational view thereof, the rear being identical in appearance;

FIG. 3 is a right side elevational view thereof, the left side being identical in appearance;

FIG. 4 is a bottom plan view thereof, the broken-line disclosure being a portion of the article in which the claimed design is embodied, but which forms no part of the claimed design; and,

FIG. 5 is a top plan view thereof.

1 Claim, 3 Drawing Sheets



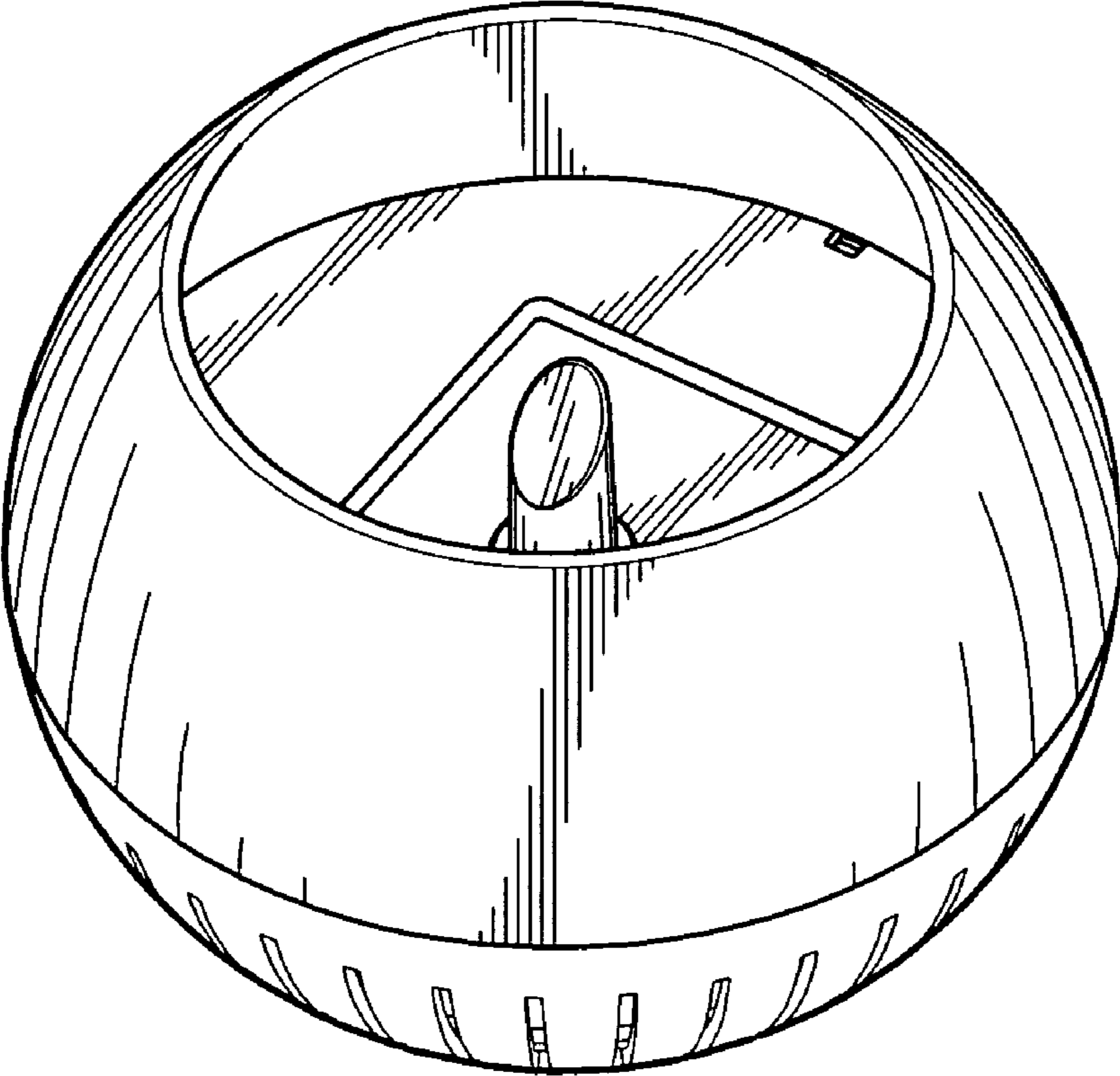


FIG.1

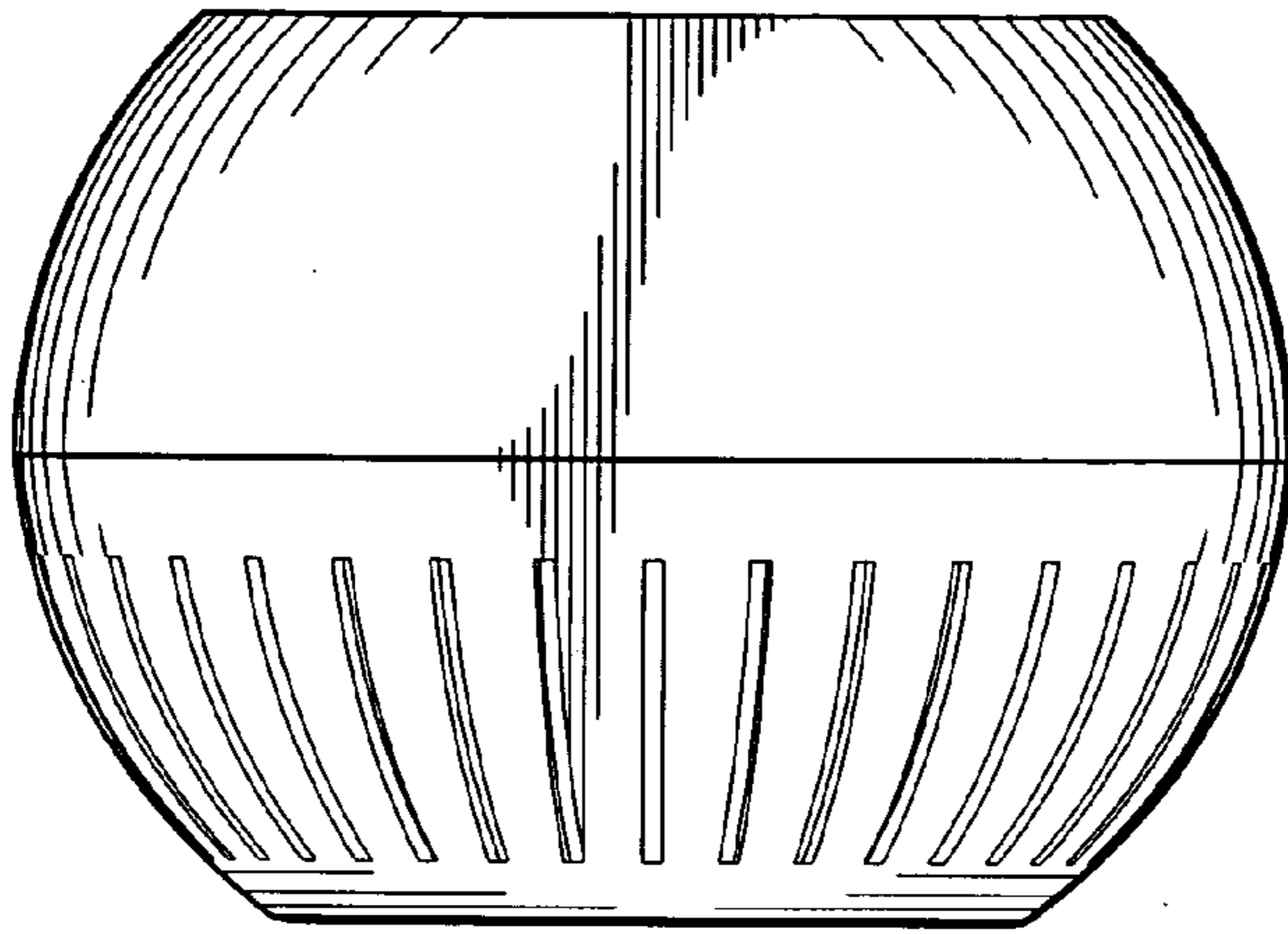


FIG.2

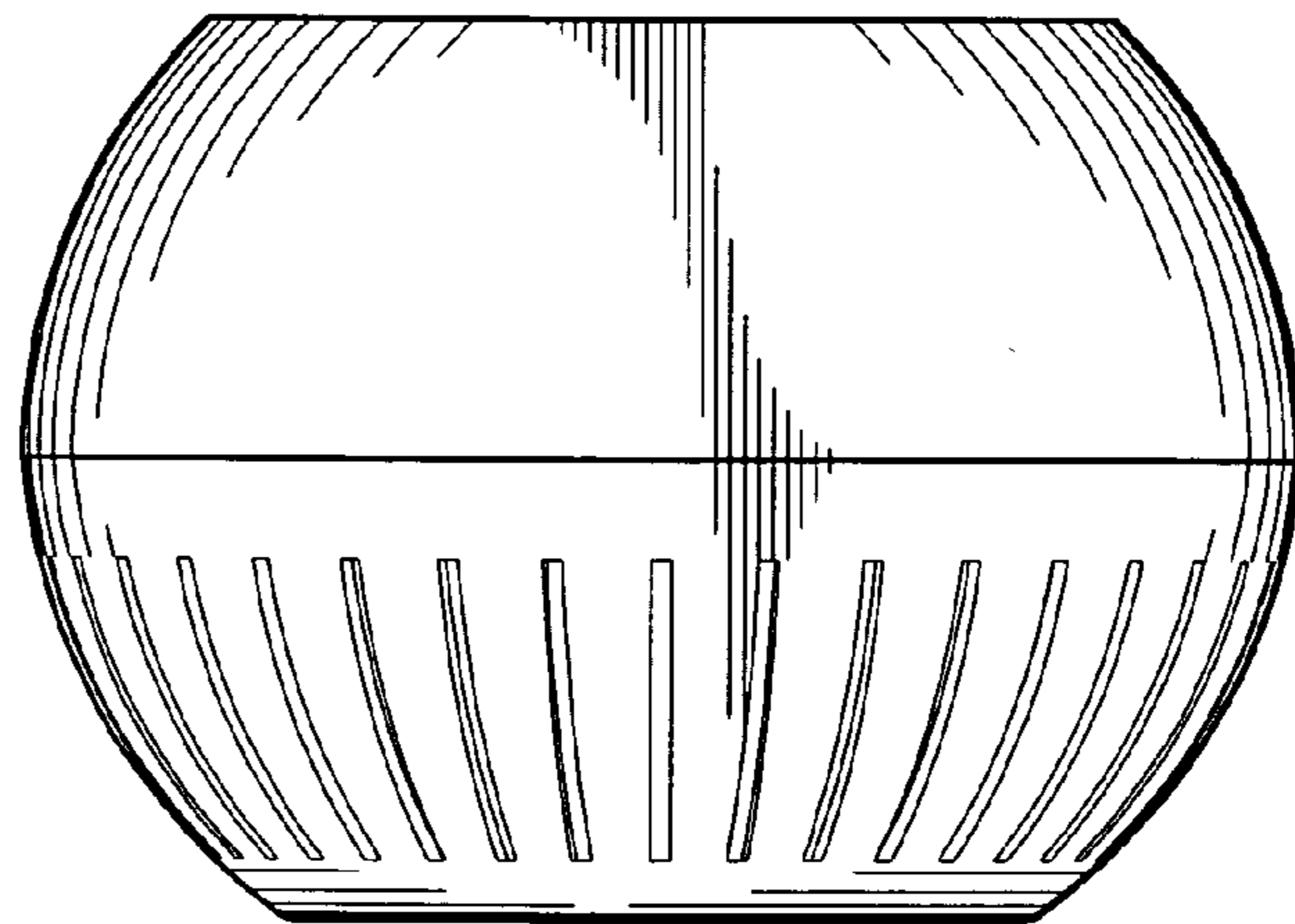


FIG.3

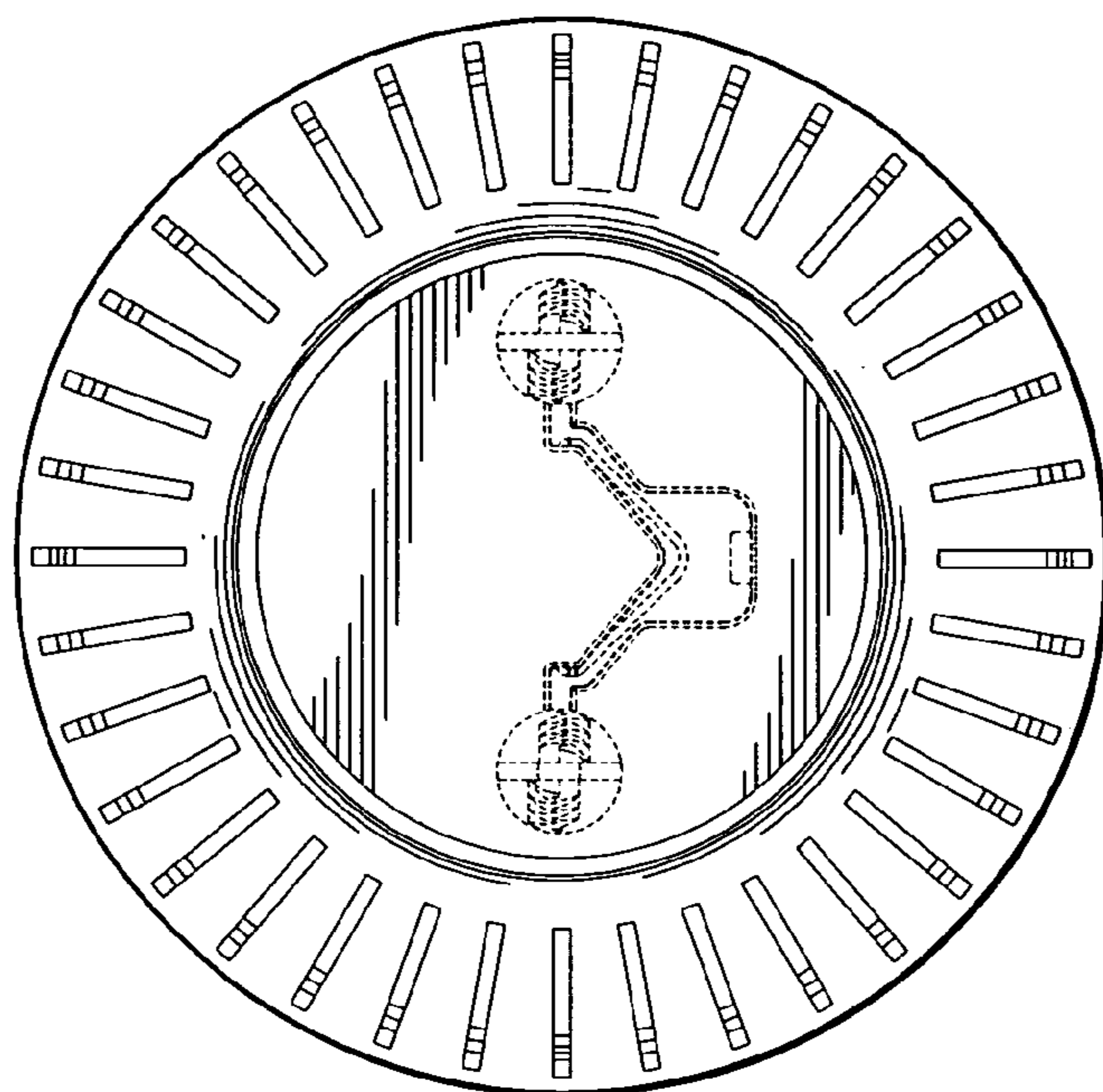


FIG. 4

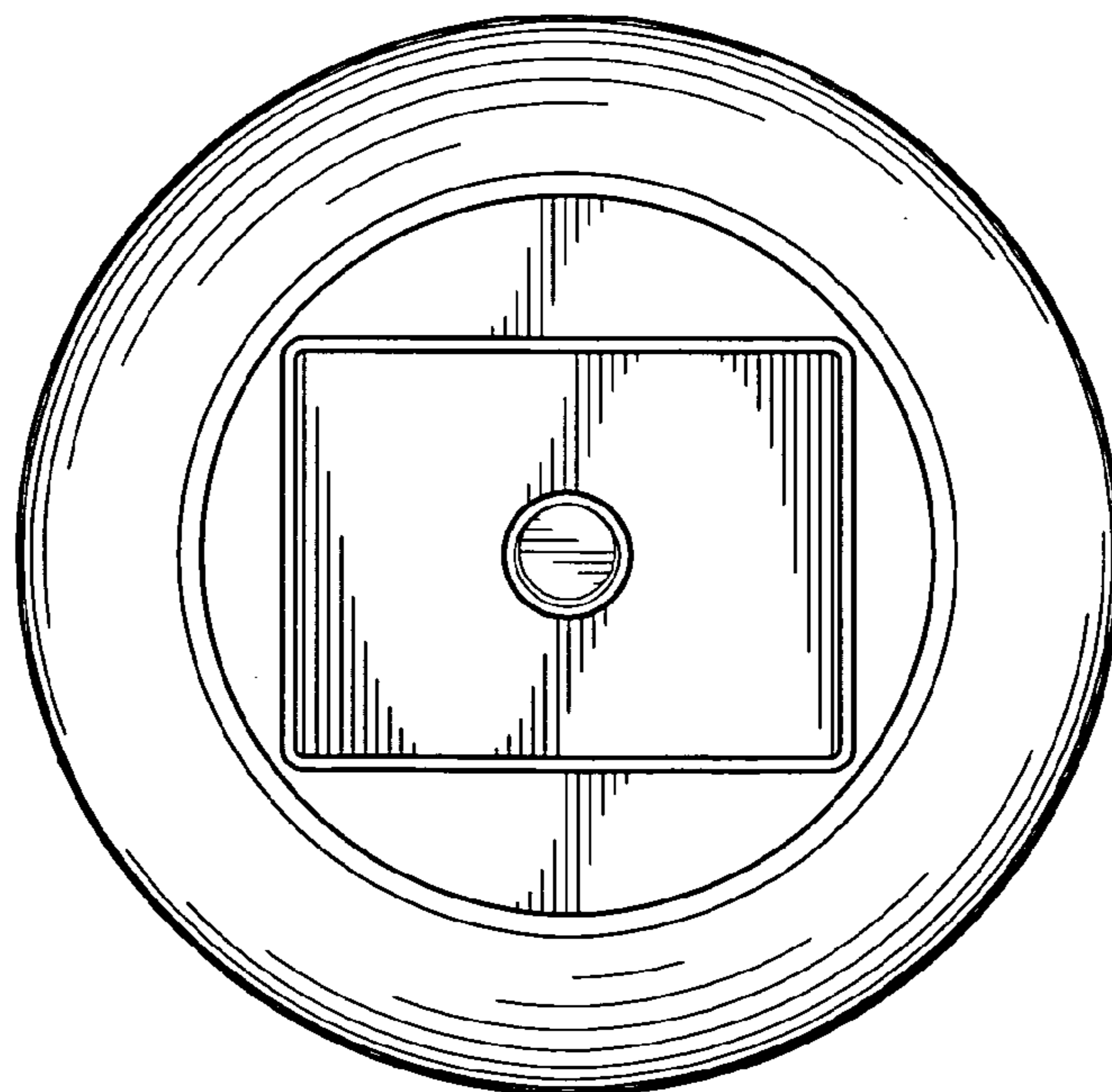


FIG. 5