



US00D604885S

(12) **United States Design Patent**  
**Ford et al.**

(10) **Patent No.:** **US D604,885 S**  
(45) **Date of Patent:** **\*\* Nov. 24, 2009**

(54) **LUMINAIRE**

(75) Inventors: **Paul Ford**, New Haven, CT (US);  
**Sylvan R. Shemitz**, Woodbridge, CT  
(US); **Kevin M. Gilmore**, West Haven,  
CT (US)

(73) Assignee: **Elliptipar**, West Haven, CT (US)

(\*\*) Term: **14 Years**

(21) Appl. No.: **29/323,586**

(22) Filed: **Aug. 27, 2008**

**Related U.S. Application Data**

(62) Division of application No. 29/279,319, filed on Apr.  
26, 2007, now Pat. No. Des. 591,442.

(51) **LOC (9) Cl.** ..... **26-03**

(52) **U.S. Cl.** ..... **D26/78; D26/76**

(58) **Field of Classification Search** ..... D26/2,  
D26/7, 24, 35, 61, 67, 72, 74-79, 81-92,  
D26/113, 118, 122; 362/147, 217-225, 132,  
362/260-263, 267, 283, 337, 364, 376; 43/113;  
D14/209, 212, 216; 52/98; D23/372, 328,  
D23/385

See application file for complete search history.

(56) **References Cited**

**U.S. PATENT DOCUMENTS**

D130,449 S *	11/1941	Weber	.....	D26/76
D192,124 S *	1/1962	Michaud	.....	D26/76
3,069,537 A *	12/1962	Dayton et al.	.....	362/222
D274,657 S *	7/1984	Herst et al.	.....	D26/76
D353,466 S *	12/1994	McCue et al.	.....	D25/38
5,420,774 A *	5/1995	Wilson	.....	362/376
D360,047 S *	7/1995	Zimmerman et al.	.....	D26/67
D421,815 S *	3/2000	Herst et al.	.....	D26/76
D489,472 S *	5/2004	Newhouse et al.	.....	D26/75
D496,351 S *	9/2004	Allen	.....	D14/211

D501,845 S *	2/2005	Allen	.....	D14/216
D519,491 S *	4/2006	Allen	.....	D14/212
D553,287 S *	10/2007	Miller	.....	D26/75
D565,785 S *	4/2008	Kerr	.....	D26/113
D577,138 S *	9/2008	Kitagawa et al.	.....	D26/37
D591,442 S *	4/2009	Ford et al.	.....	D26/77

\* cited by examiner

*Primary Examiner*—Philip S Hyder

*Assistant Examiner*—Susan E Krakower

(74) *Attorney, Agent, or Firm*—Cantor Colburn LLP

(57) **CLAIM**

We claim, the ornamental design for a luminaire, as shown  
and described.

**DESCRIPTION**

FIG. 1 is a top, front perspective partial view of a luminaire,  
showing our new design;

FIG. 2 is a partial top, rear perspective view thereof;

FIG. 3 is a partial bottom, front perspective view thereof;

FIG. 4 is a partial bottom, rear perspective view thereof;

FIG. 5 is a partial front elevation view thereof;

FIG. 6 is a partial rear elevation view thereof;

FIG. 7 is a side elevation view thereof;

FIG. 8 is a rear and bottom isometric view thereof;

FIG. 9 is a top plan view thereof;

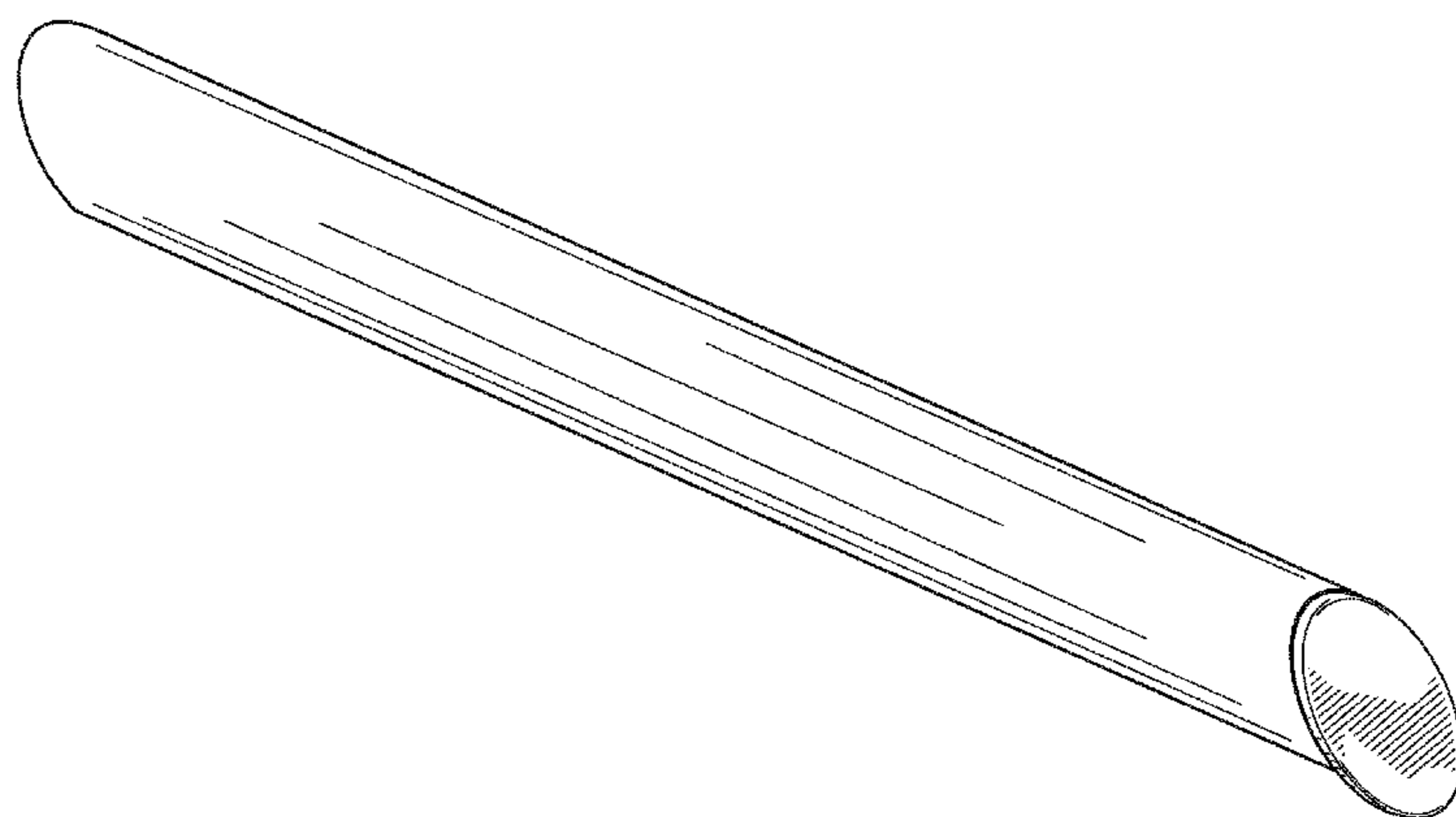
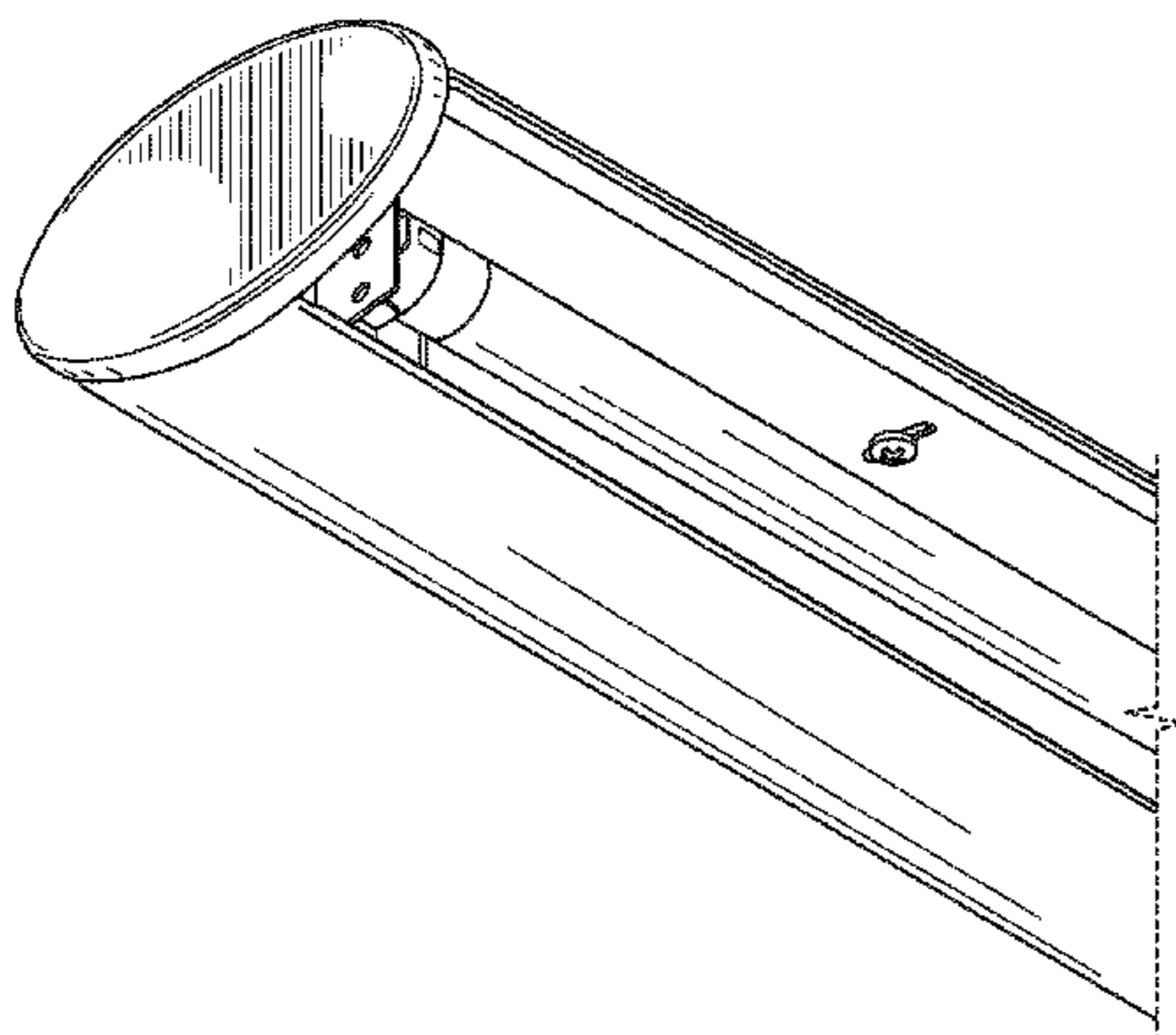
FIG. 10 is a front elevation view thereof; and,

FIG. 11 is a side elevation view thereof taken opposite from  
that of FIG. 7.

The broken lines represent the portions of the design that form  
no part of the claimed design.

The luminaire is shown broken away to indicate it has no  
specific length.

**1 Claim, 8 Drawing Sheets**



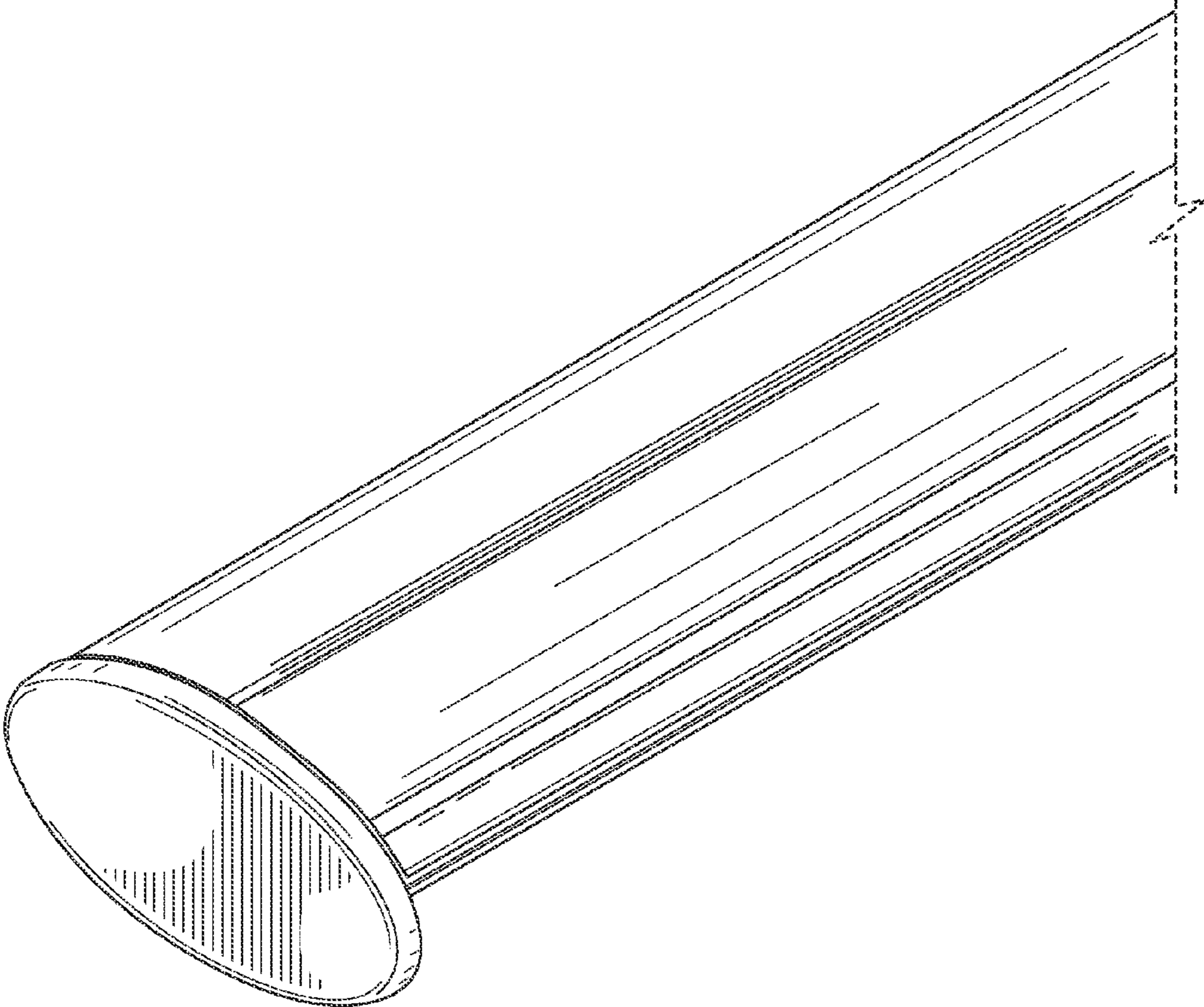


FIG. 1

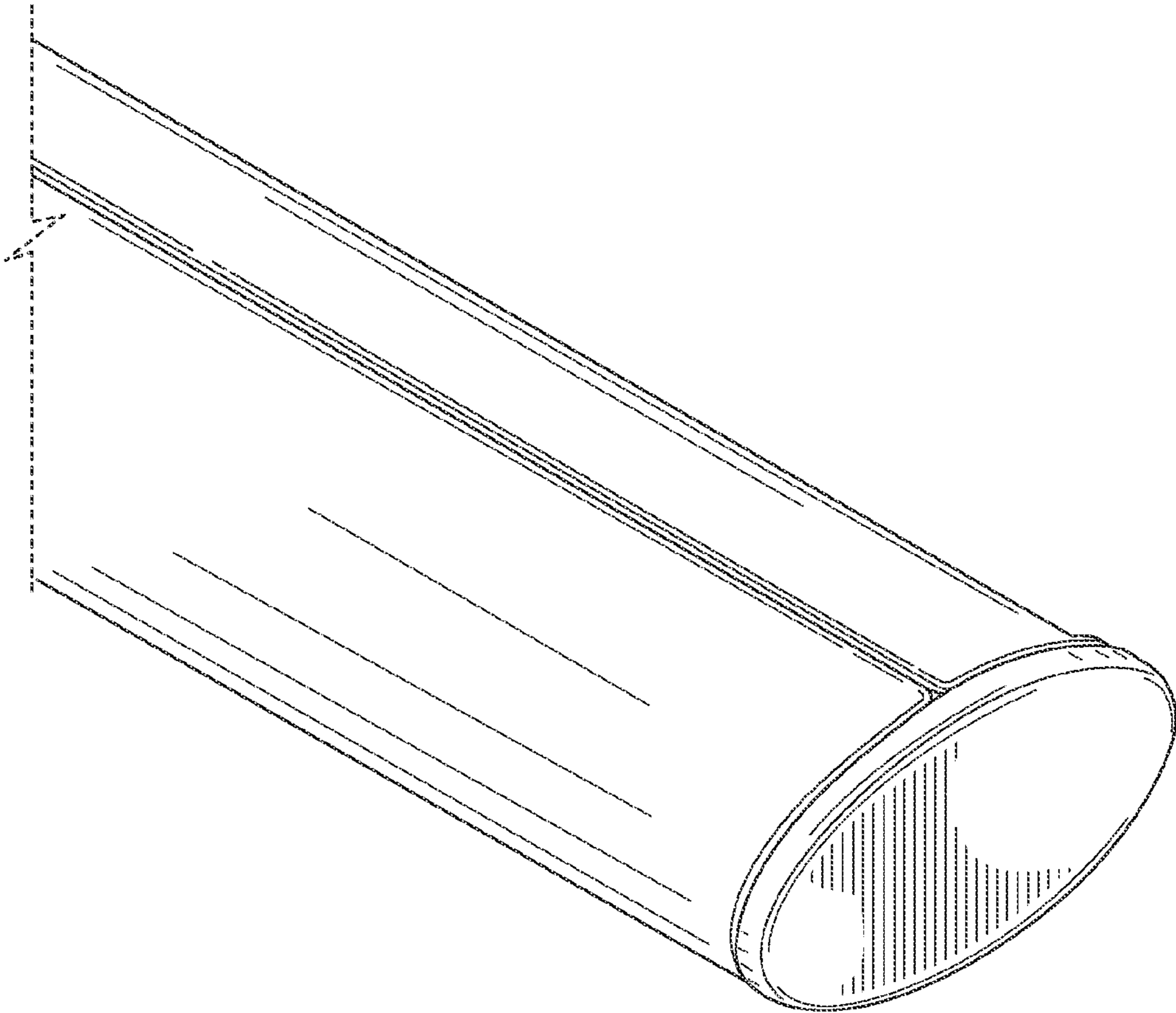


FIG. 2

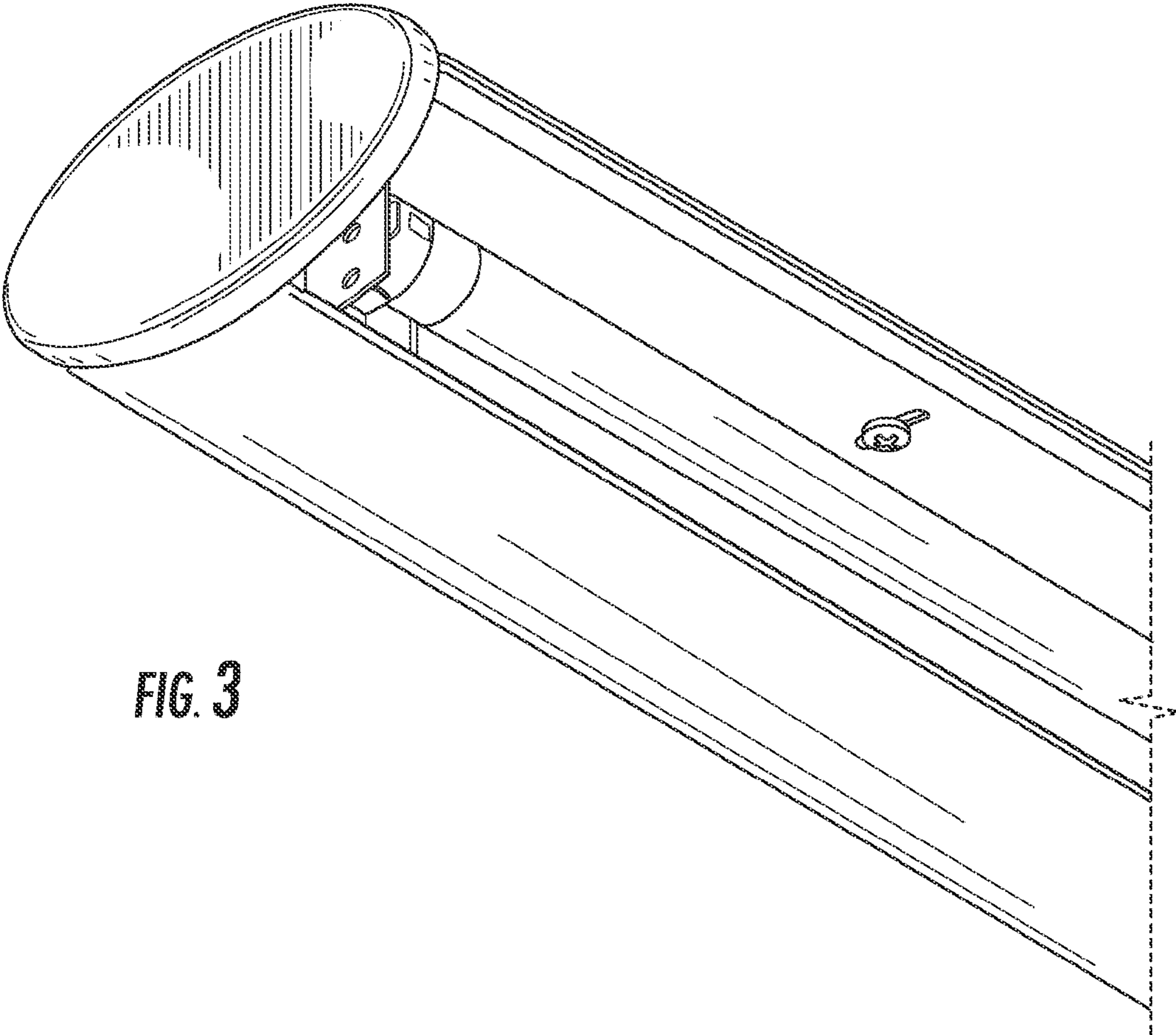


FIG. 3

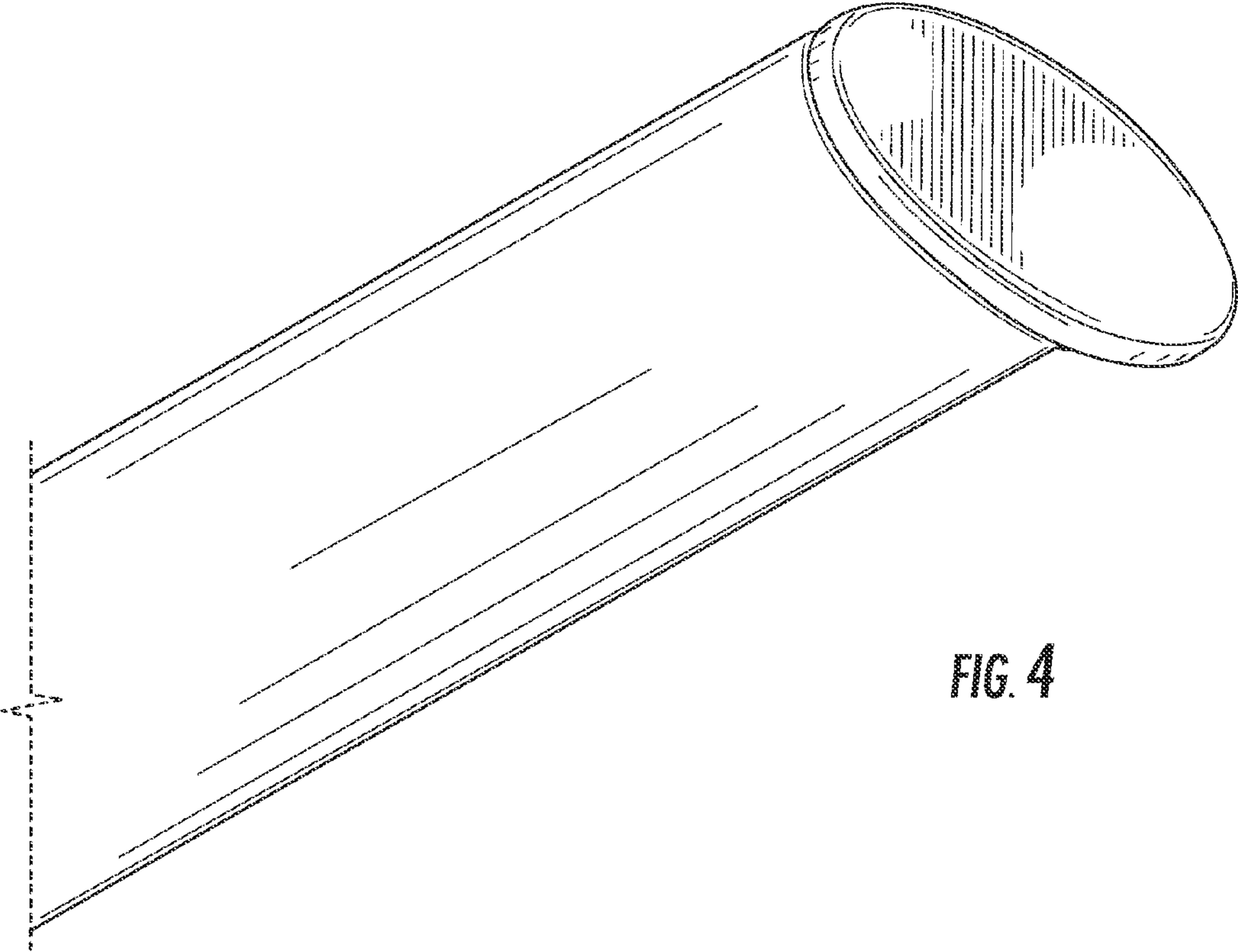


FIG. 4

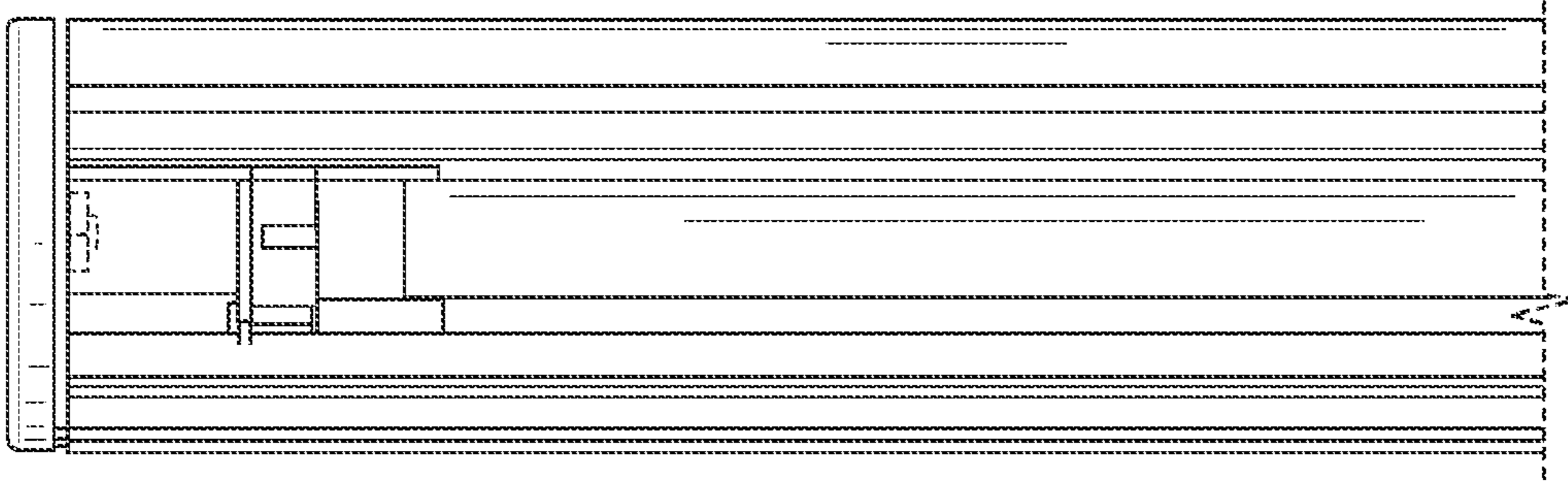


FIG. 5

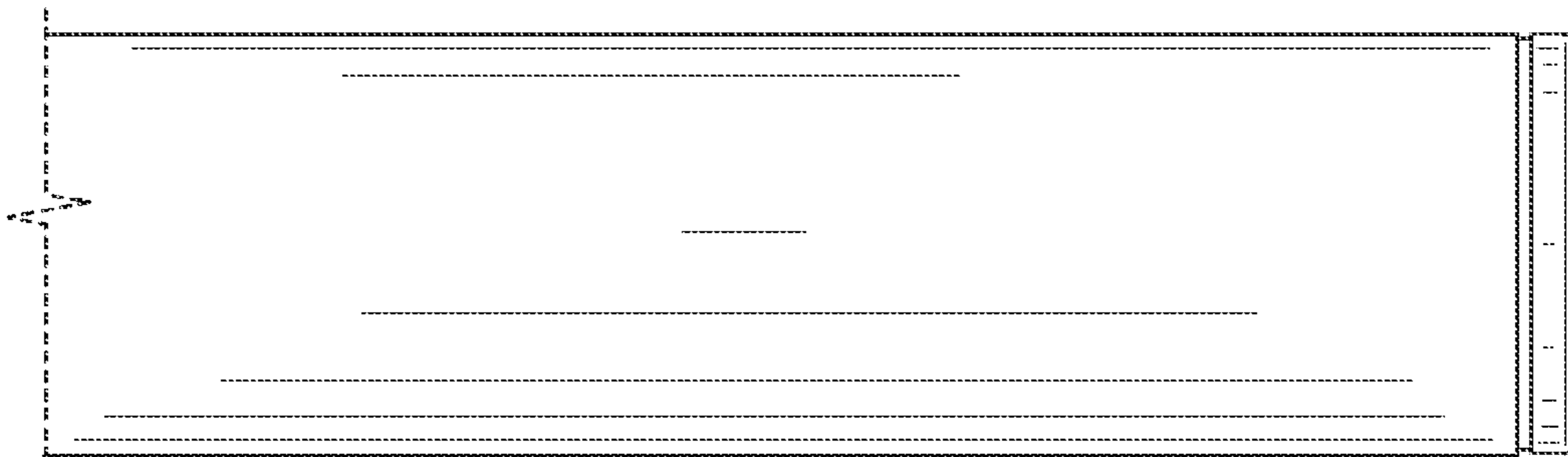


FIG. 6

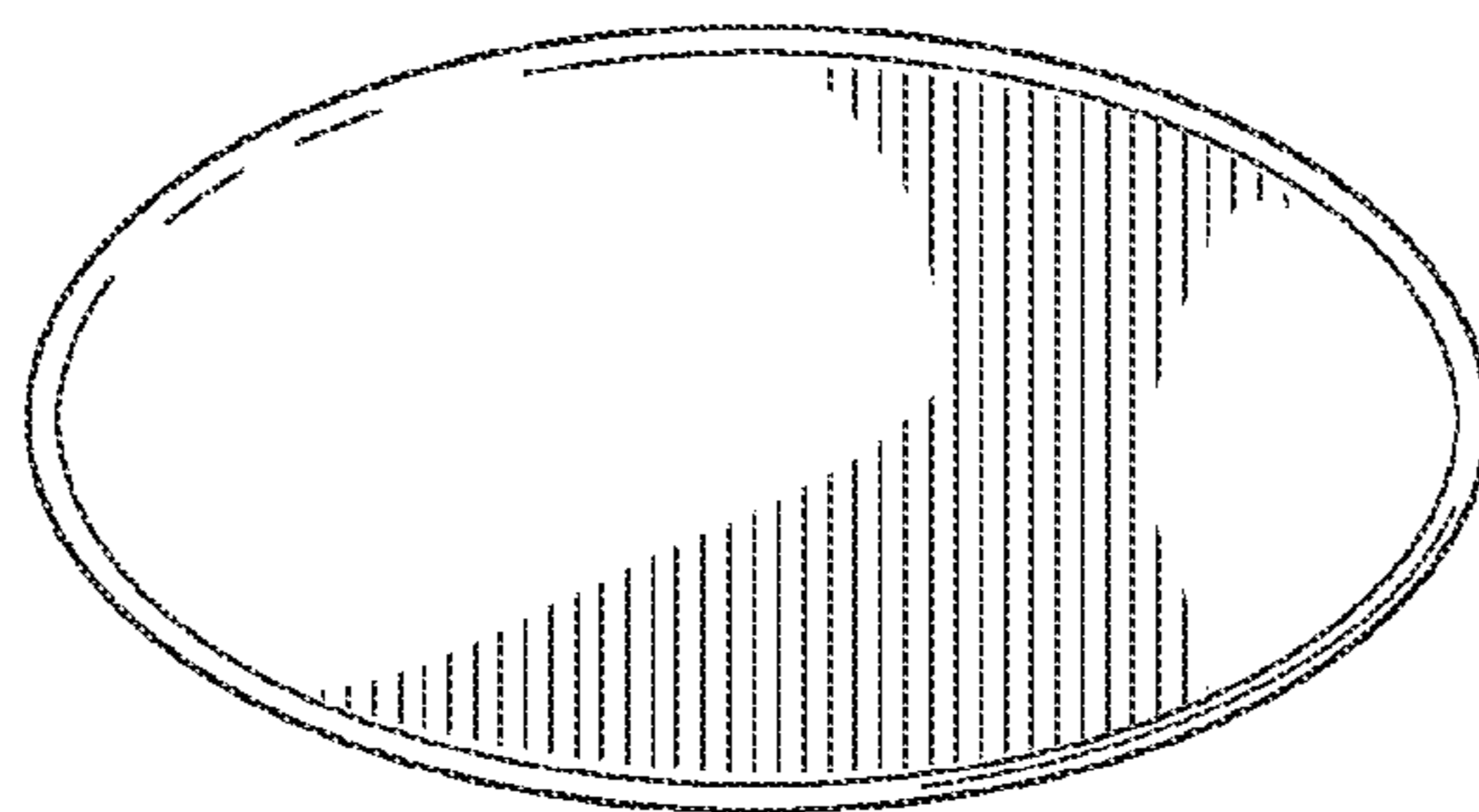


FIG. 7

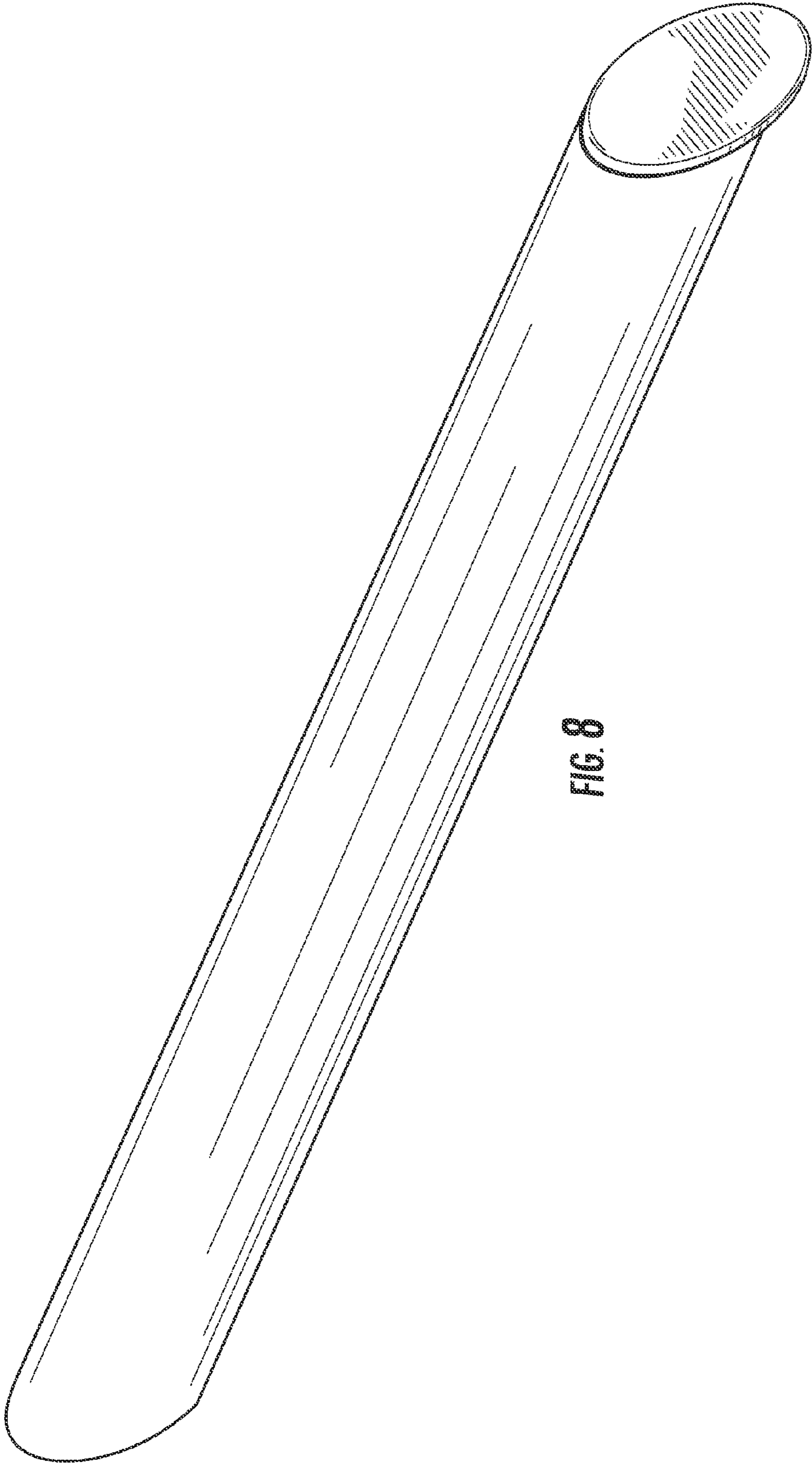


FIG. 8

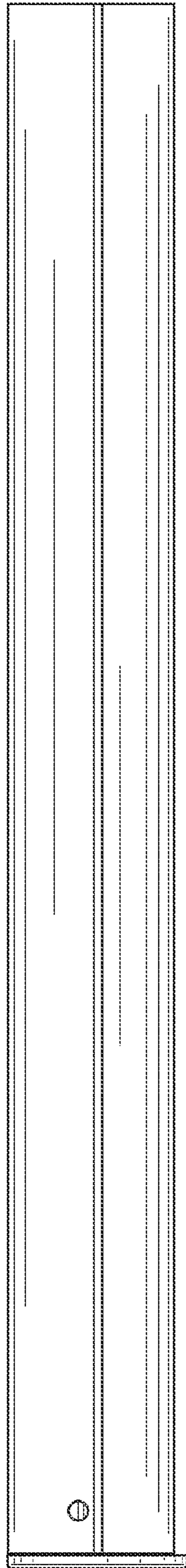


FIG. 9



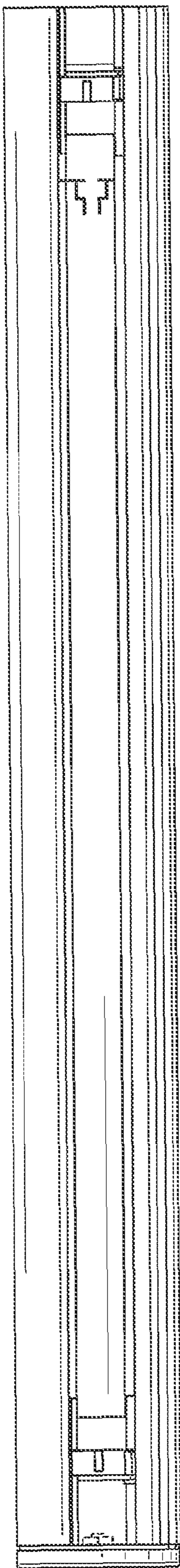


FIG. 10

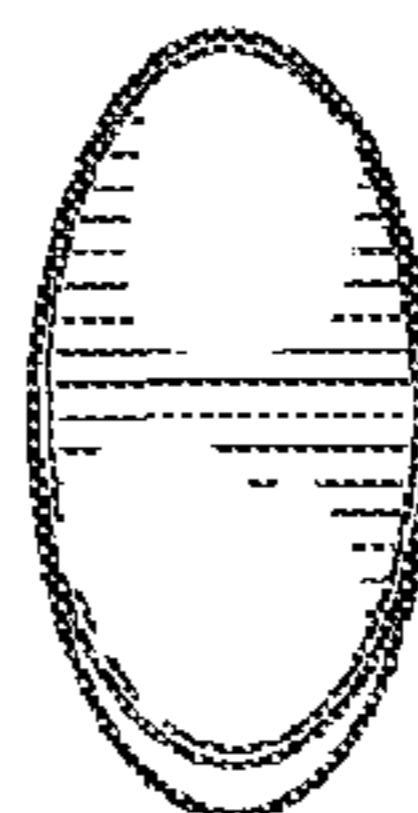


FIG. 11