



US00D604884S

(12) **United States Design Patent**
Möritz

(10) **Patent No.:** **US D604,884 S**

(45) **Date of Patent:** **** Nov. 24, 2009**

(54) **PENDANT LUMINAIRE**

D535,431 S * 1/2007 Roland D26/118
D570,026 S * 5/2008 Waldmann D26/76

(75) Inventor: **Thomas Möritz**, Berlin (DE)

* cited by examiner

(73) Assignee: **Zumtobel Lighting GmbH**, Dornbirn (AT)

Primary Examiner—Philip S Hyder

Assistant Examiner—Susan E Krakower

(**) Term: **14 Years**

(74) *Attorney, Agent, or Firm*—Marshall, Gerstein & Borun LLP

(21) Appl. No.: **29/296,224**

(57) **CLAIM**

(22) Filed: **Oct. 16, 2007**

The ornamental design for a pendant luminaire, as shown and described.

(51) **LOC (9) Cl.** **26-03**

(52) **U.S. Cl.** **D26/76**

(58) **Field of Classification Search** D26/2,
D26/24, 35, 61, 7, 72, 74–79, 81–92, 118,
D26/122; 362/147, 217–225, 132, 260–263,
362/267, 283, 337, 347, 364; 43/113; D23/372,
D23/328, 385; D14/209; 52/98

See application file for complete search history.

DESCRIPTION

FIG. 1 is a partial end and side perspective view of a pendant luminaire that has the design.

FIG. 2 is a reduced end and side perspective view of the luminaire seen in FIG. 1.

FIG. 3 is a partial enlarged bottom perspective view of the luminaire.

FIG. 4 is a partial enlarged end perspective view of the luminaire.

FIG. 5 is a partial opposite bottom and side perspective view of the luminaire; and,

FIG. 6 is a partial enlarged opposite bottom and end perspective view of the luminaire.

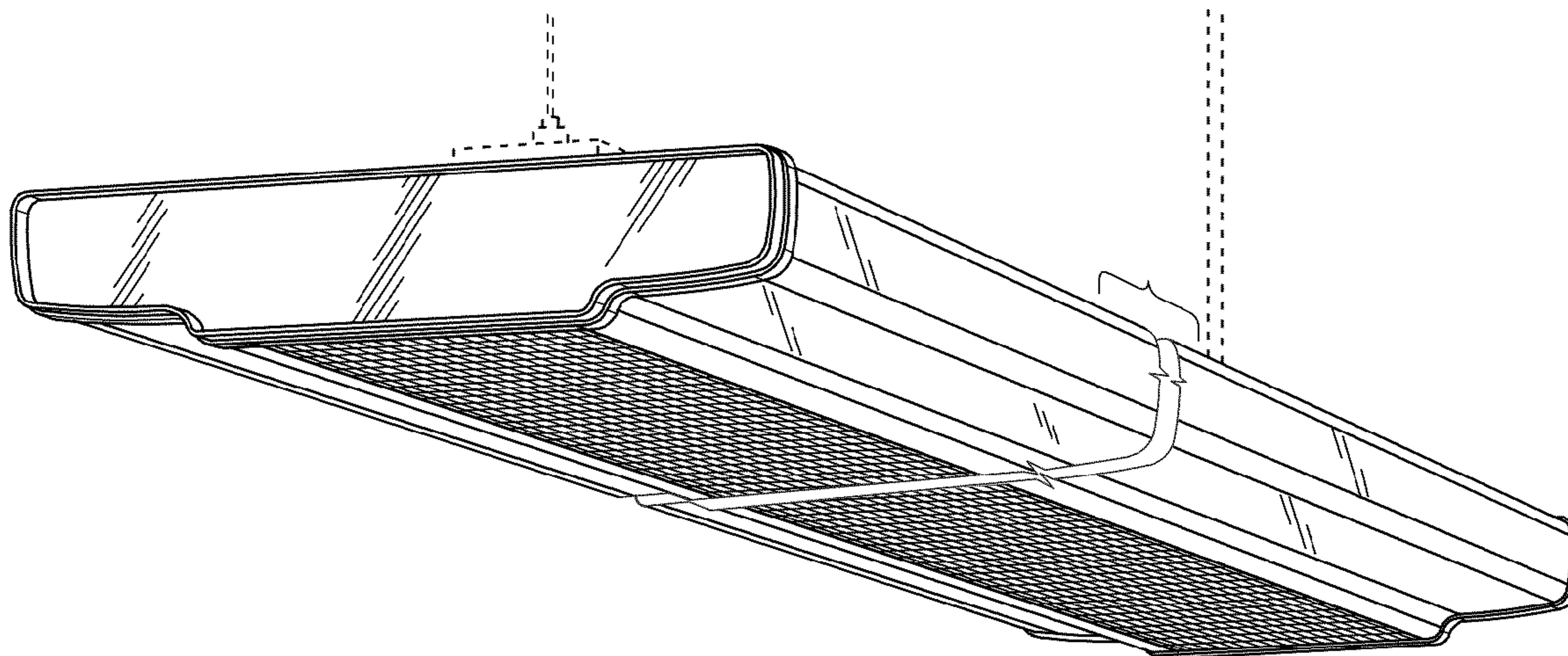
The broken line showing of elements on the top of the luminaire is for the purpose of illustrating portions of the luminaire and forms no part of the claimed design.

(56) **References Cited**

U.S. PATENT DOCUMENTS

2,899,541	A	*	8/1959	De Mauro	362/222
D192,745	S	*	5/1962	Guth, Jr.	D26/76
3,118,620	A	*	1/1964	Bucek	362/355
D199,687	S	*	12/1964	Meyer	D26/76
3,209,142	A	*	9/1965	Michel et. al.	362/236
D203,406	S	*	1/1966	Wince	D26/76
D208,572	S	*	9/1967	Wakefield	D26/76
D401,001	S	*	11/1998	Herst et al.	D26/77
D418,626	S	*	1/2000	Herst et al.	D26/118
D452,579	S	*	12/2001	Shemitz et al.	D26/76
D471,308	S	*	3/2003	Gismondi	D26/76

1 Claim, 6 Drawing Sheets



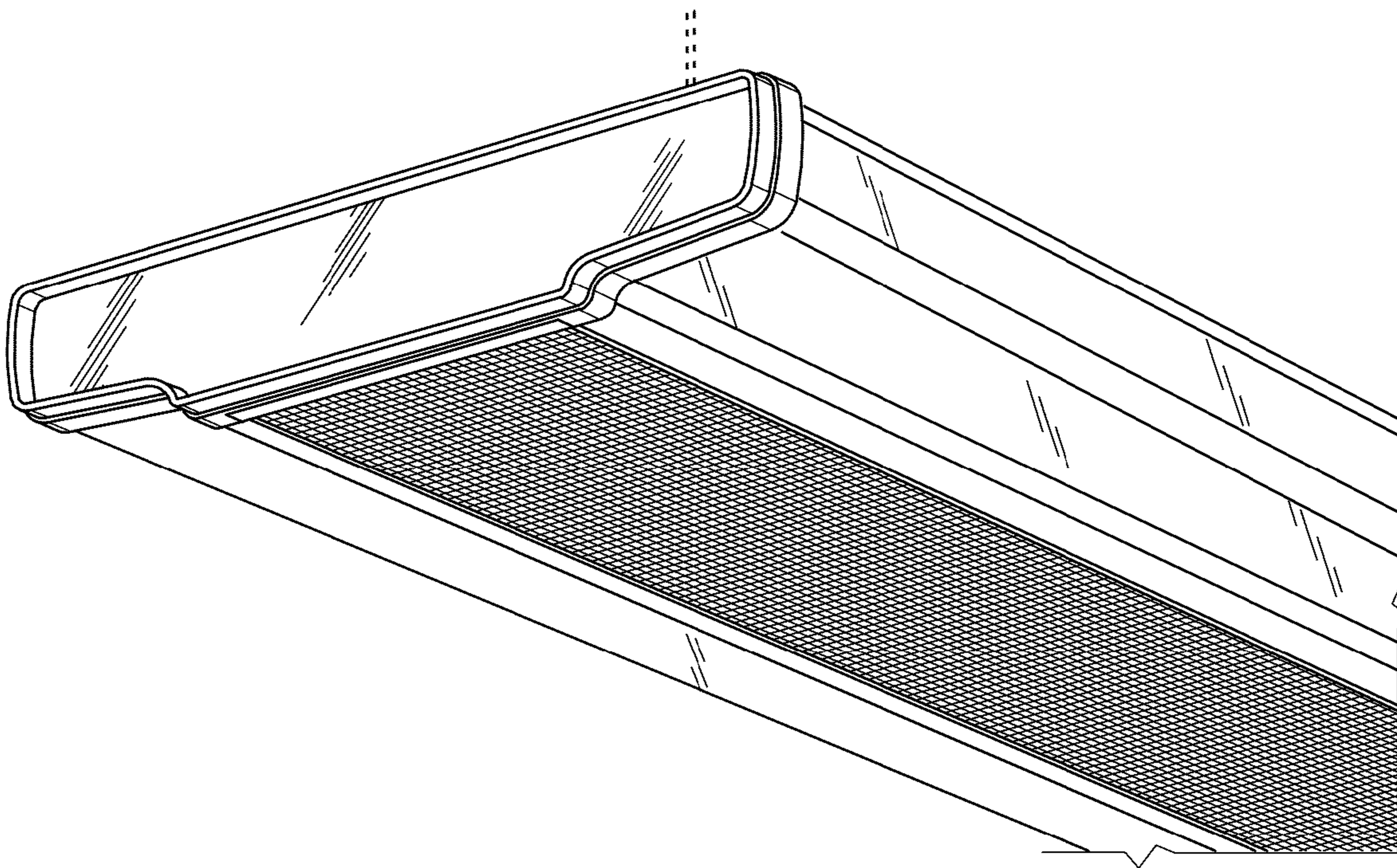


FIG. 1

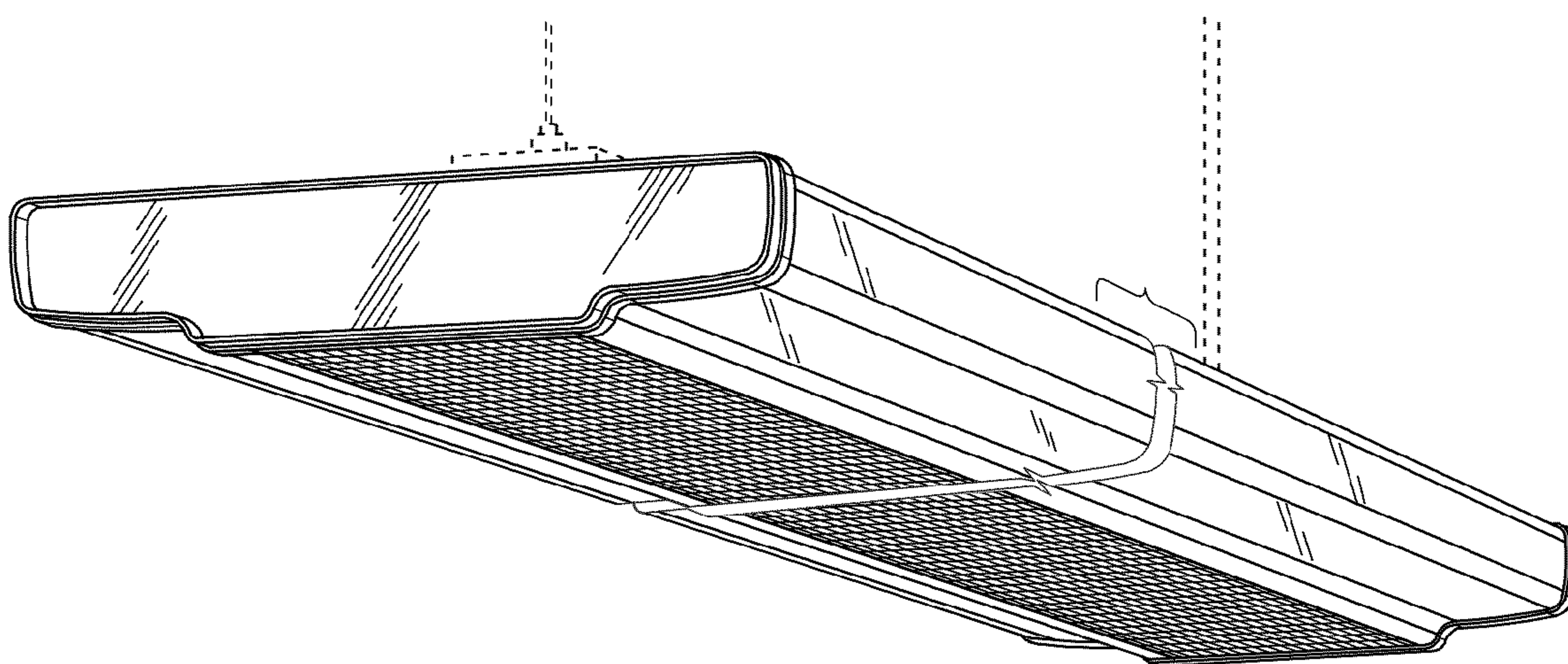


FIG. 2

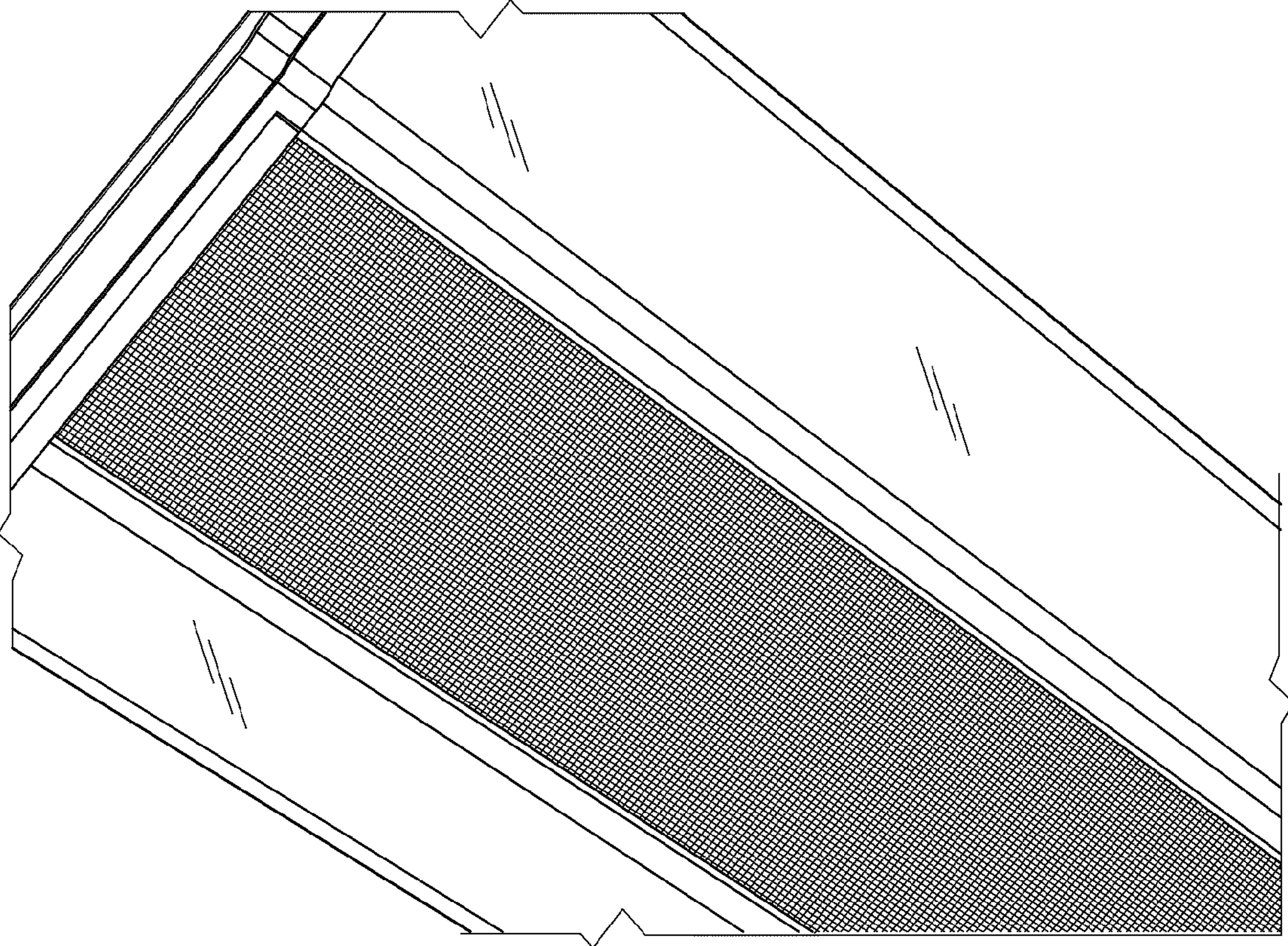


FIG. 3

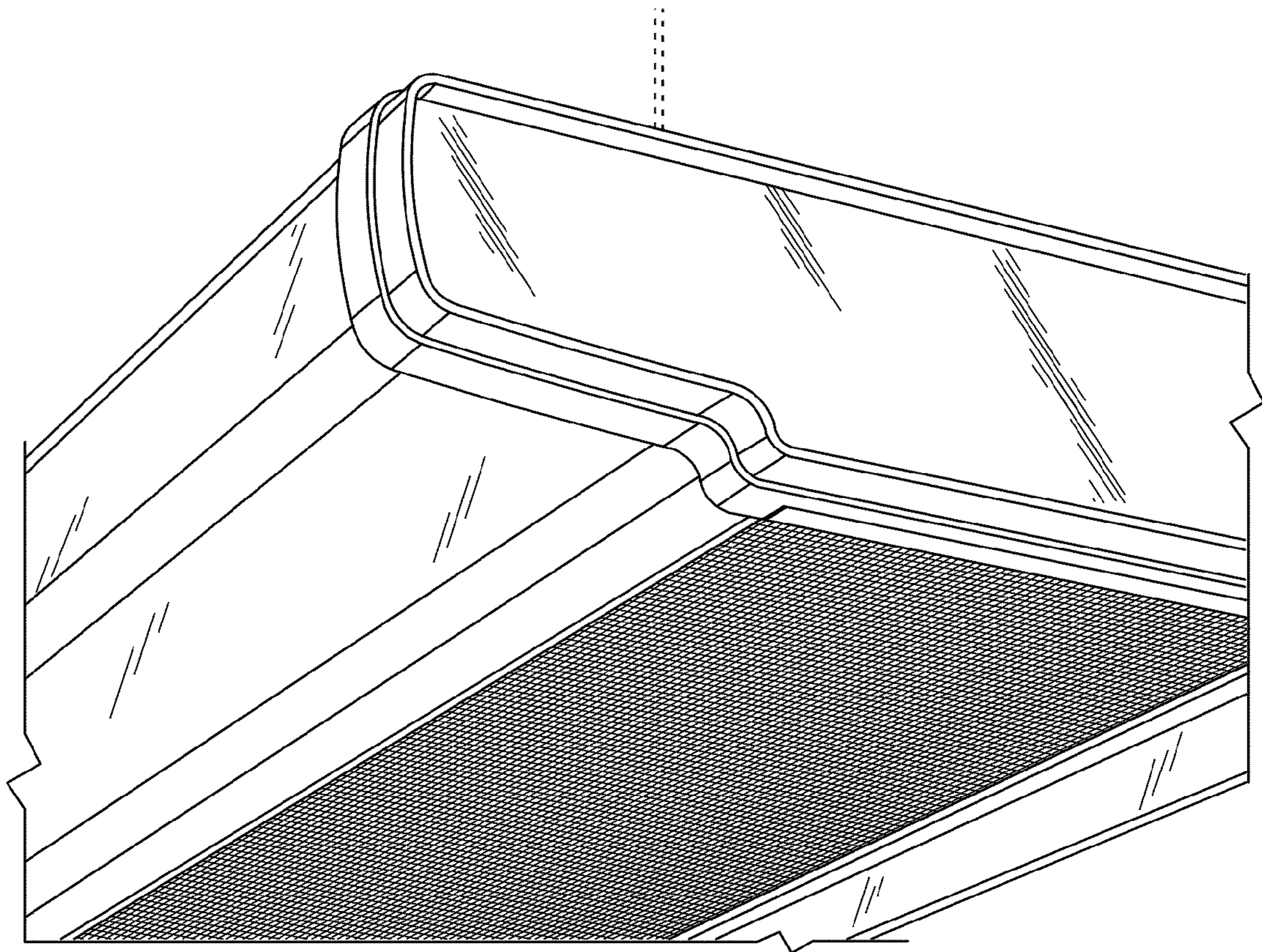


FIG. 4

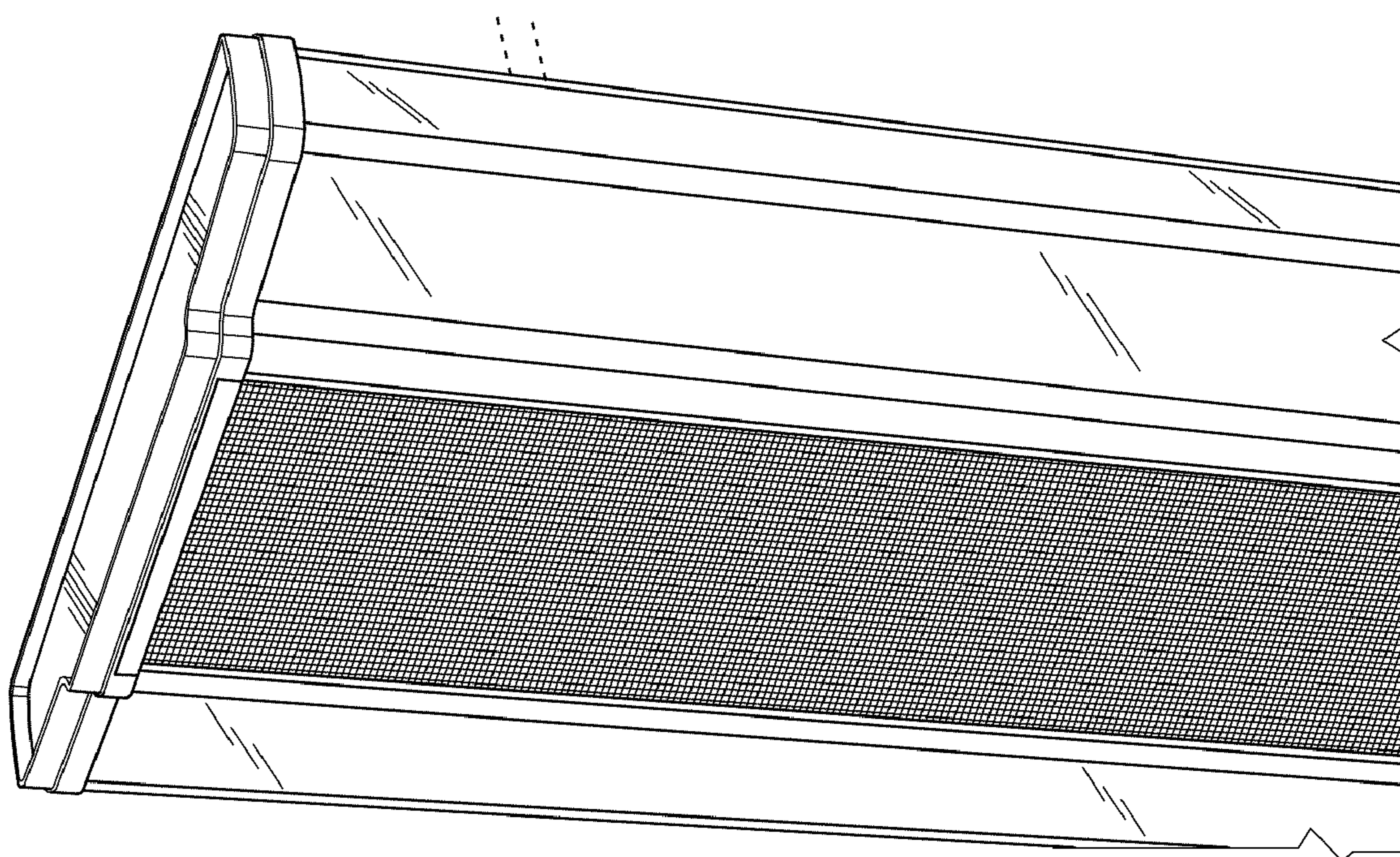


FIG. 5

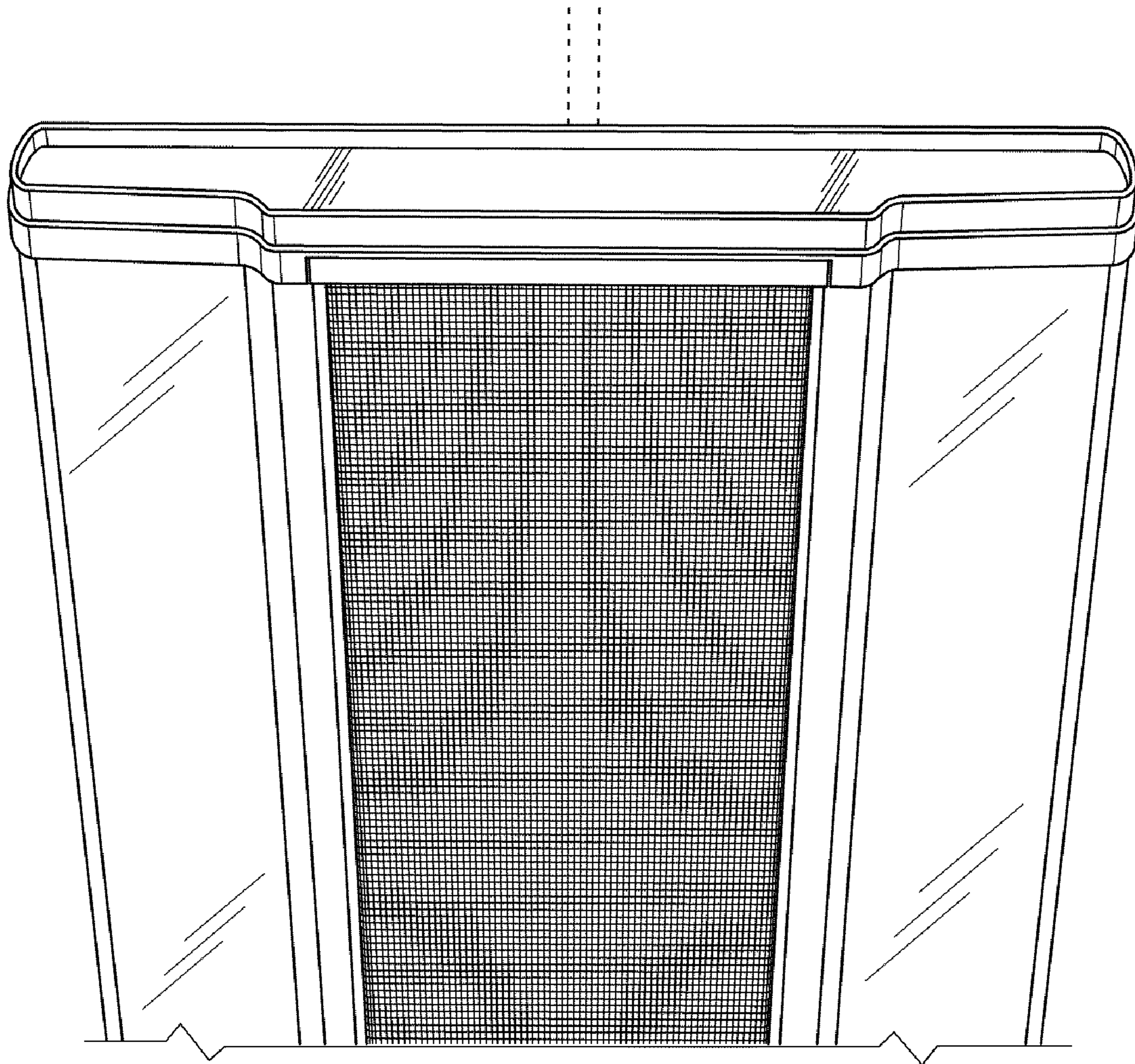


FIG. 6